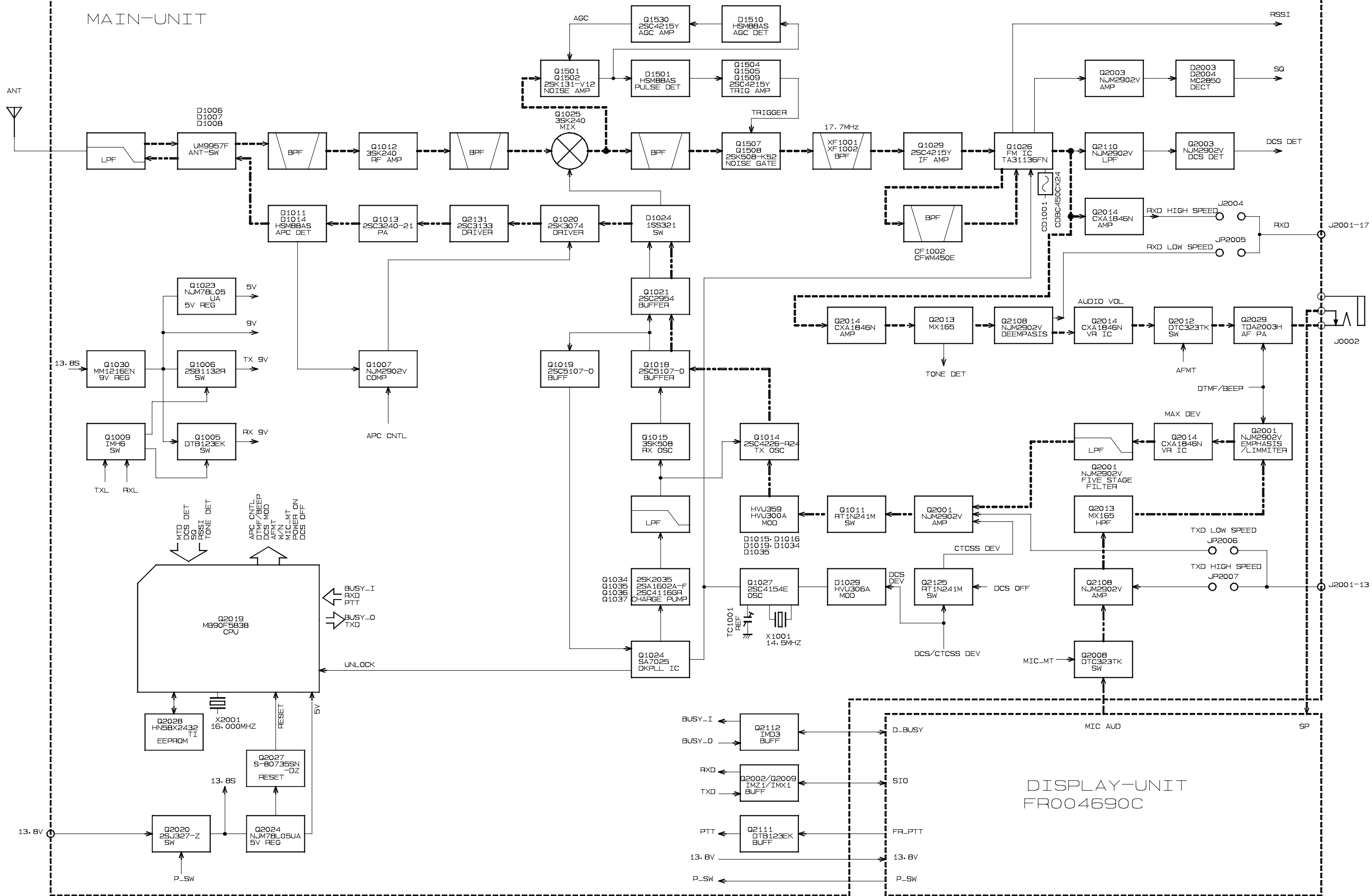


MAIN-UNIT



CIRCUIT DIAGRAM	MODEL VX-4000L
DES. B-AC005L0000/BLOCK-DIAGRAM	
REF. BP0082000.cir/001.sht	EDITION
DATE 22 JUN. 2000	UPDATE 23 JUN. 2000
VERTEX STANDARD CO., LTD.	