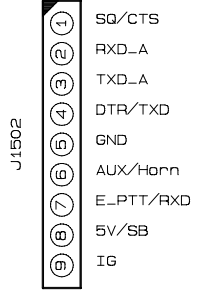
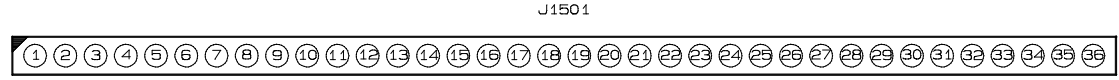
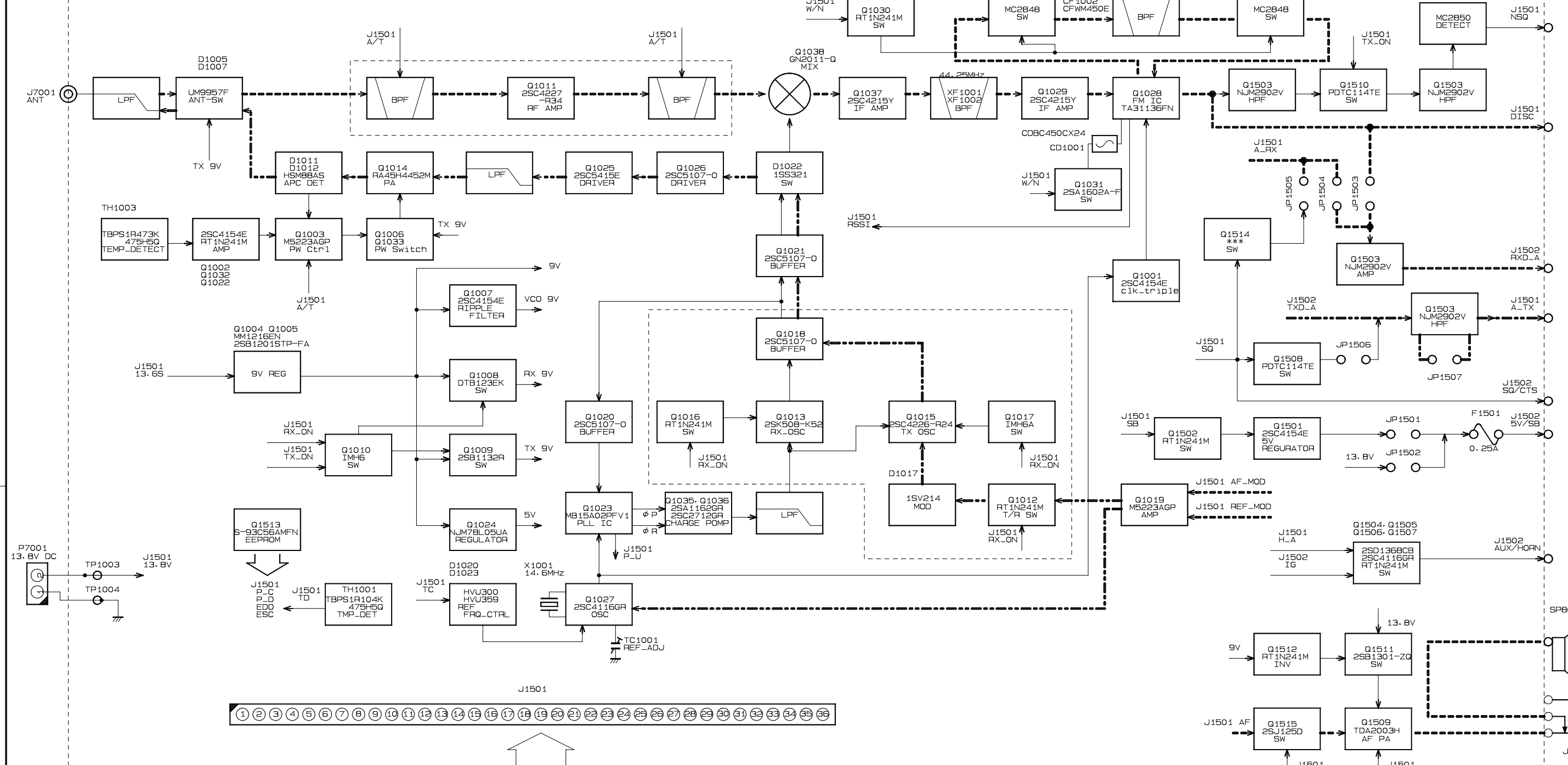
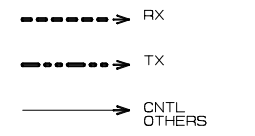


RF-UNIT



PANEL-UNIT



CIRCUIT DIAGRAM	MODEL VX-3200U
DES. AC039U000 RF-UNIT/BLOCK-DIAGRAM	EDITION
REF. BP0111900.cir/002.sht	DATE 26 SEP., 2001
UPDATE 27 NOV., 2001	VERTEX STANDARD CO., LTD.