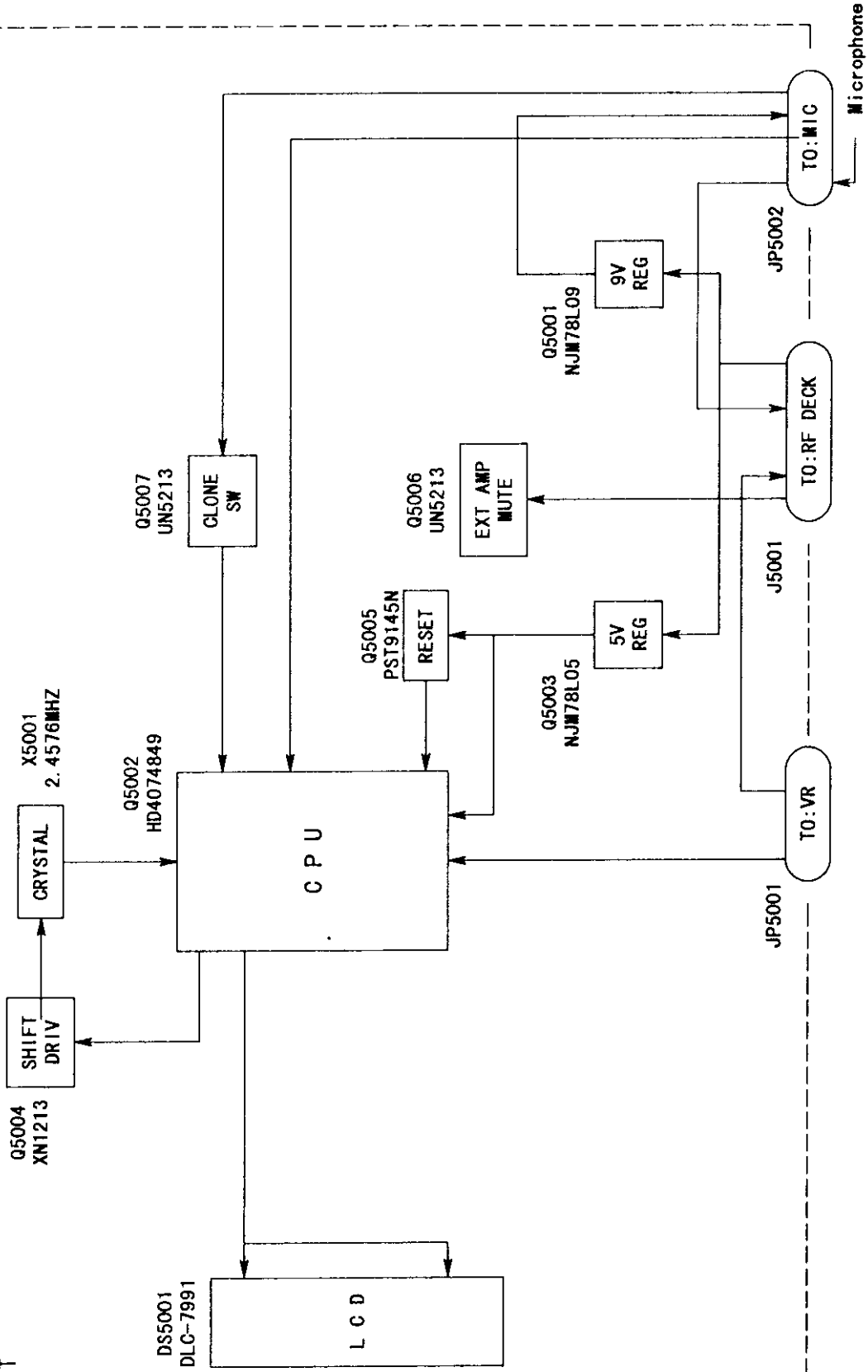
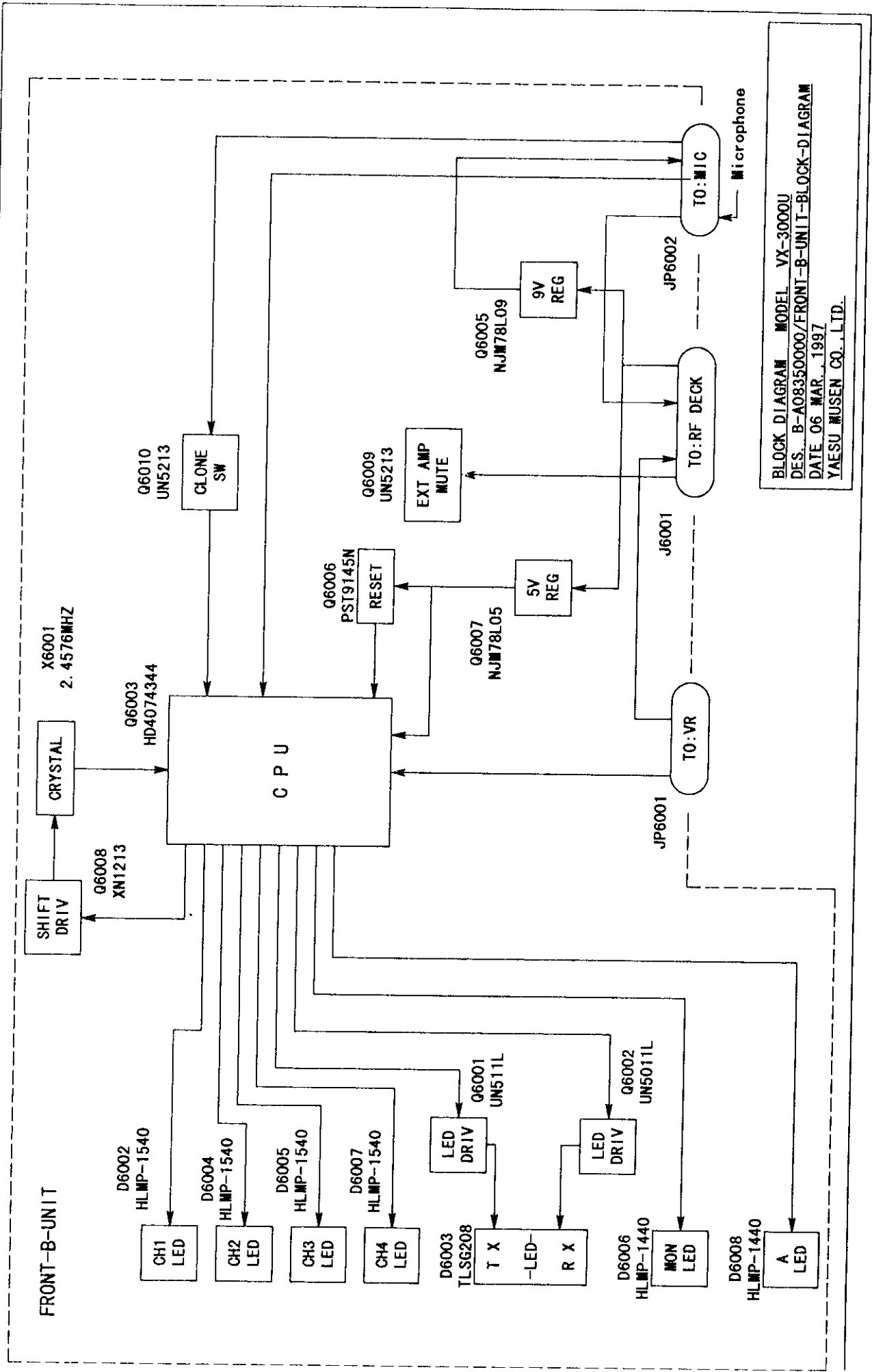


BLOCK DIAGRAM MODEL VX-3000U
 DES. B-A0830000/RF-UNIT-BLOCK-DIAGRAM
 DATE 06 MAR. 1997
 YAESU MUSEN CO., LTD.

FRONT-A-UNIT



BLOCK DIAGRAM MODEL VX-3000U
 DES. B-A08350000/FRONT-A-UNIT-BLOCK-DIAGRAM
 DATE 06 Mar. 1997
 YAESU MUSEN CO., LTD.



BLOCK DIAGRAM MODEL VX-3000U
 DES. B-A08350000/Front-B-UNIT-BLOCK-DIAGRAM
 DATE 06 MAR. 1997
 YAESU MUSEN CO., LTD.