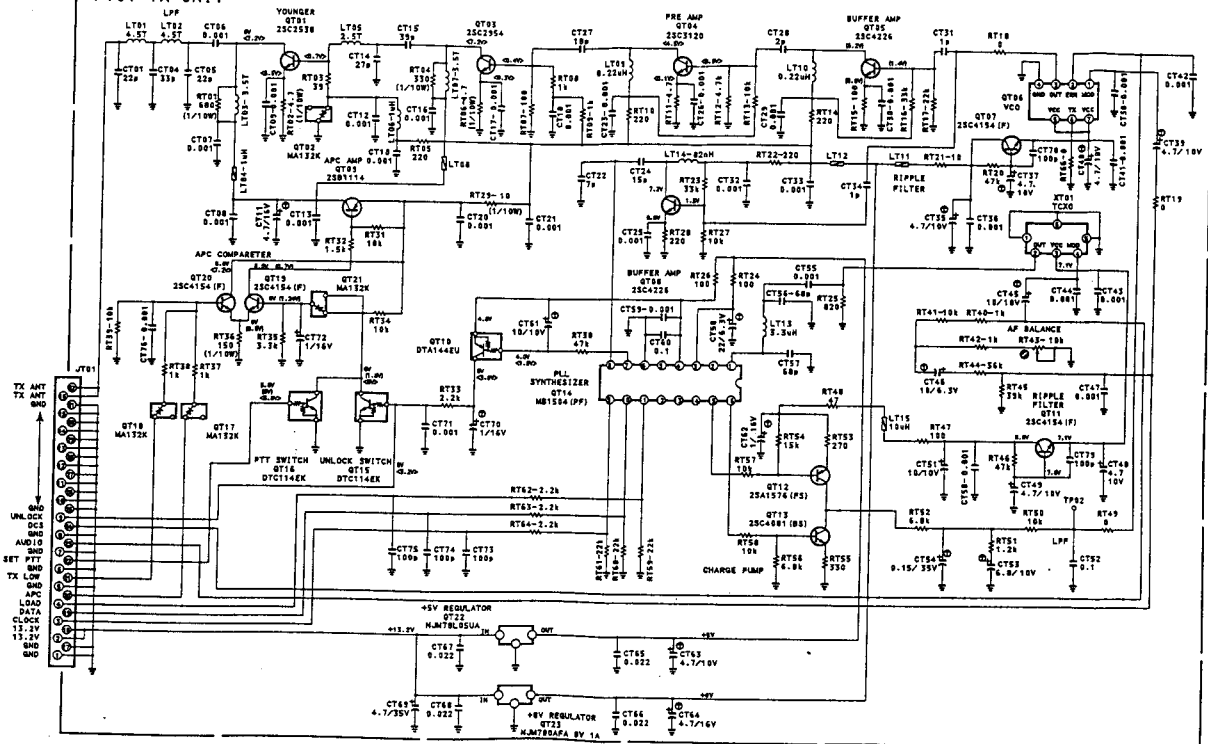


PT01 TX UNIT



YASU MUSEN CO., LTD.  
 FCC ID: K66RP80V  
 EXHIBIT #: 7C

- NOTES:  
 1. REFER TO PARTS LIST FOR COMPONENT VALUES.  
 2. UNLESS OTHERWISE NOTED RESISTOR VALUES ARE IN OHMS (1/4W), AND CAPACITOR VALUES ARE IN MICROGRAMS (50V).  
 3. VOLTAGE NOTATIONS ARE AS FOLLOWS:  
 ( ) — TX  
 ( ) — SOL. GR  
 ( ) —