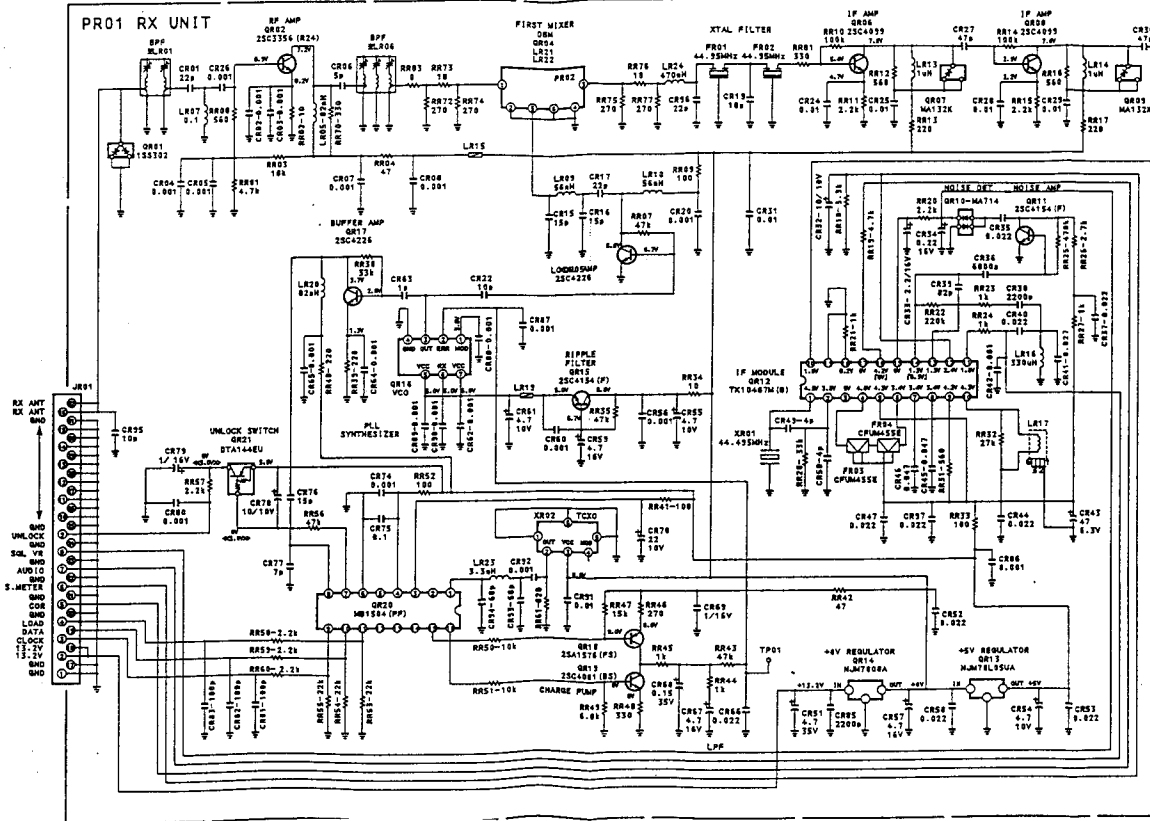


## PR01 RX UNIT



## NOTES:

1. REFER TO PARTS LIST FOR COMPONENT VALUES.
2. UNLESS OTHERWISE NOTED, RESISTOR VALUES ARE IN OHMS ( $\Omega$ ), AND CAPACITOR VALUES ARE IN MICROFARADS.
3. VOLTAGE NOTATIONS ARE AS FOLLOWS:  
 ( ) — TX    << — UNLOCK  
 | — SOL ON NO MARKING — RX

	LR01	LR06
FS	146-152MHz	144-152MHz

YASU MUSEN CO., LTD.  
 FCC ID: K66R00V  
 EXHIBIT #: **7B**