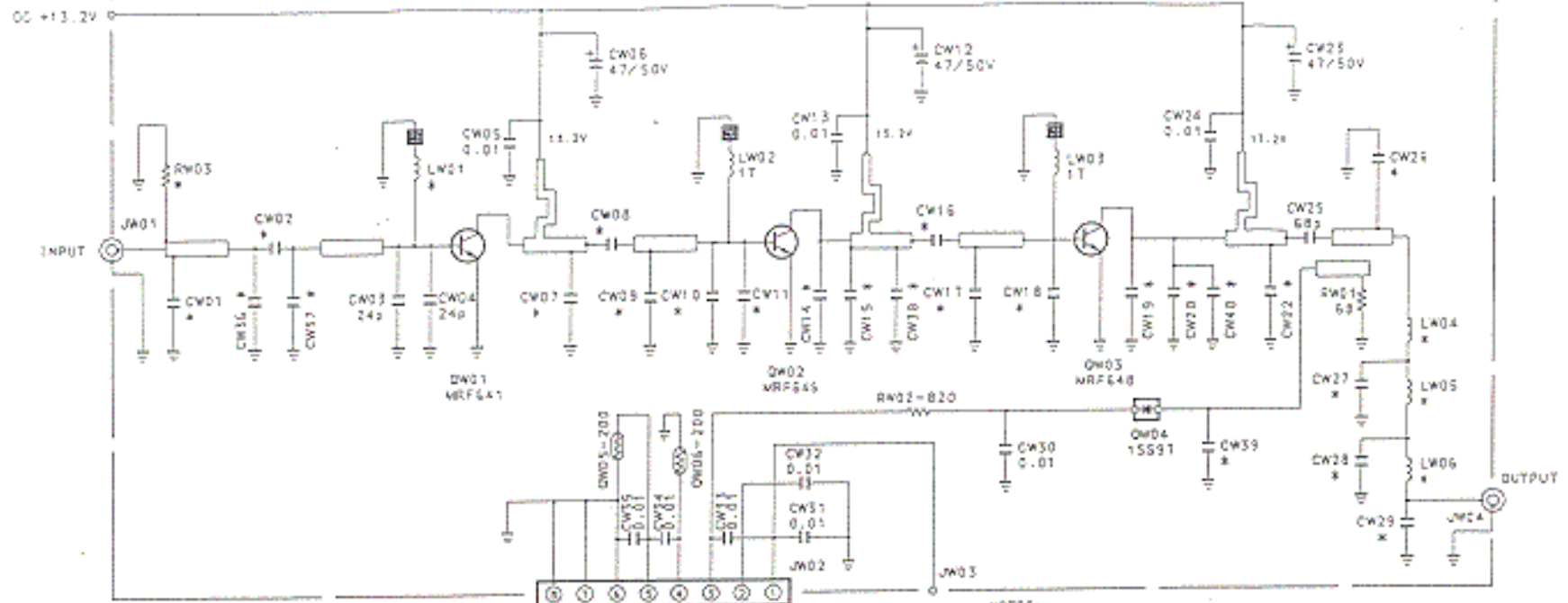


PW01 BOOSTER UNIT



NOTES:
 1. REFER TO PARTS LIST FOR COMPONENT VALUES.
 2. UNLESS OTHERWISE NOTED RESISTOR VALUES ARE IN OHMS (1/16W), AND CAPACITOR VALUES ARE IN MICROFARADS.

* F CHART

	CW01	CW02	CW07	CW08	CW09	CW10	CW11	CW14	CW15	CW16	CW17	CW18	CW19	CW20	CW22	CW26	CW27	CW28	CW29	CW36	CW37	CW38
RP80UAA132	10p	30p	24p	59p	8p	27p	27p	33p	55p	62p	33p	43p	33p	33p	15p	5p	8p	8p	5p	-	-	-

	CW39	CW40	LW01	LW04	LW05	LW06	RW03
RP80UAA132	-	-	3T	1.5T	1.5T	1.5T	-

YAESU MUSEN CO., LTD.
 FCC ID: K66RPR01
 EXHIBIT # 16