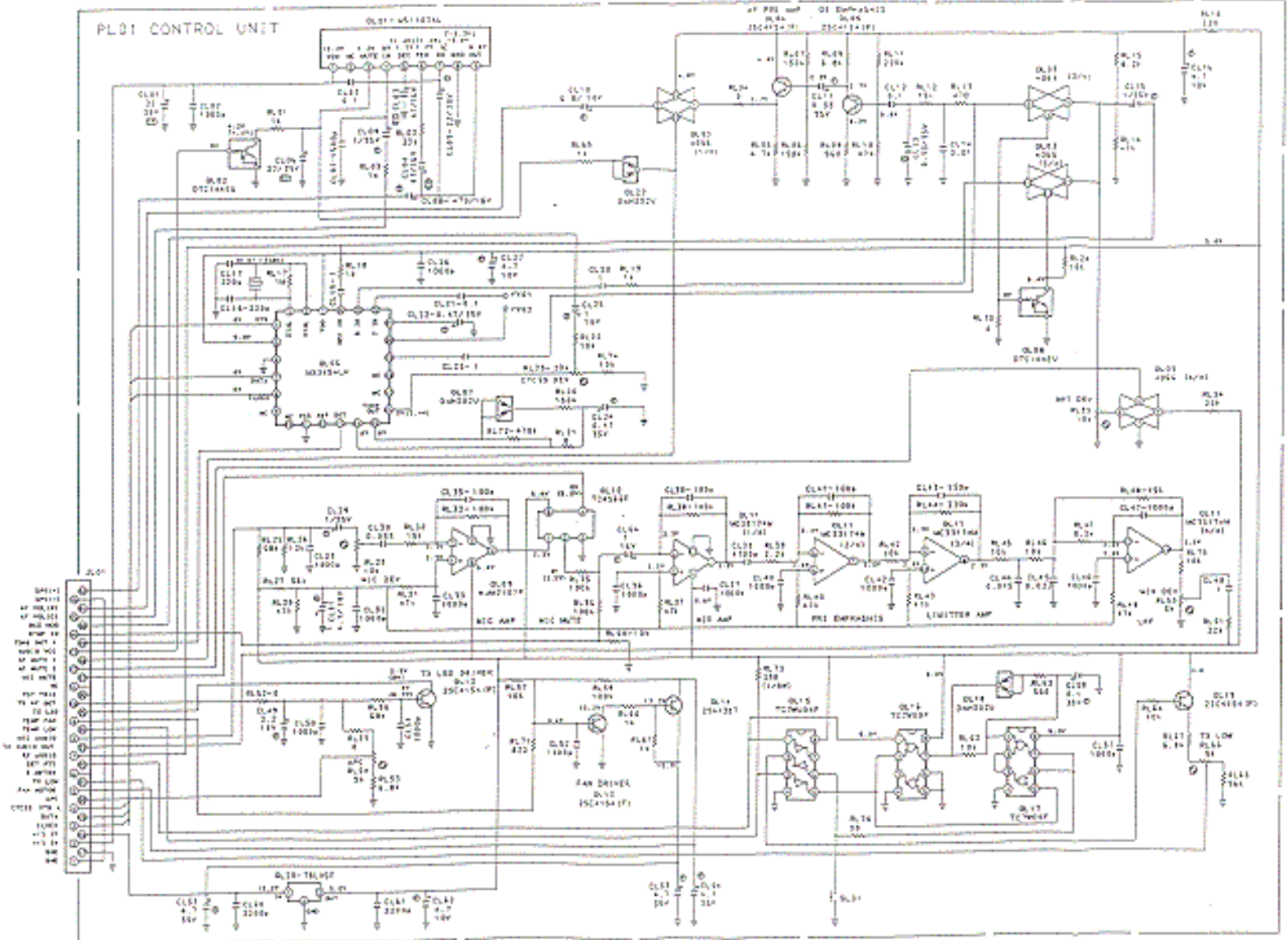


PL01 CONTROL UNIT



NOTES:
 1. REFER TO PARTS LIST FOR COMPONENT VALUES.
 2. ALL RESISTOR VALUES ARE IN OHMS UNLESS OTHERWISE NOTED.
 3. CAPACITOR VALUES ARE IN MICROFARADS UNLESS OTHERWISE NOTED.
 4. VOLTAGE NOTATIONS ARE AS FOLLOWS:

1 1 1 1 1
 2 1 1 1 1 1
 3 1 1 1 1 1 1
 4 1 1 1 1 1 1 1
 5 1 1 1 1 1 1 1 1
 6 1 1 1 1 1 1 1 1 1
 7 1 1 1 1 1 1 1 1 1 1
 8 1 1 1 1 1 1 1 1 1 1 1
 9 1 1 1 1 1 1 1 1 1 1 1 1
 10 1 1 1 1 1 1 1 1 1 1 1 1 1
 11 1 1 1 1 1 1 1 1 1 1 1 1 1 1

YASU MUSEN CO., LTD.
 FCC ID: K66R60U
 EXHIBIT #: