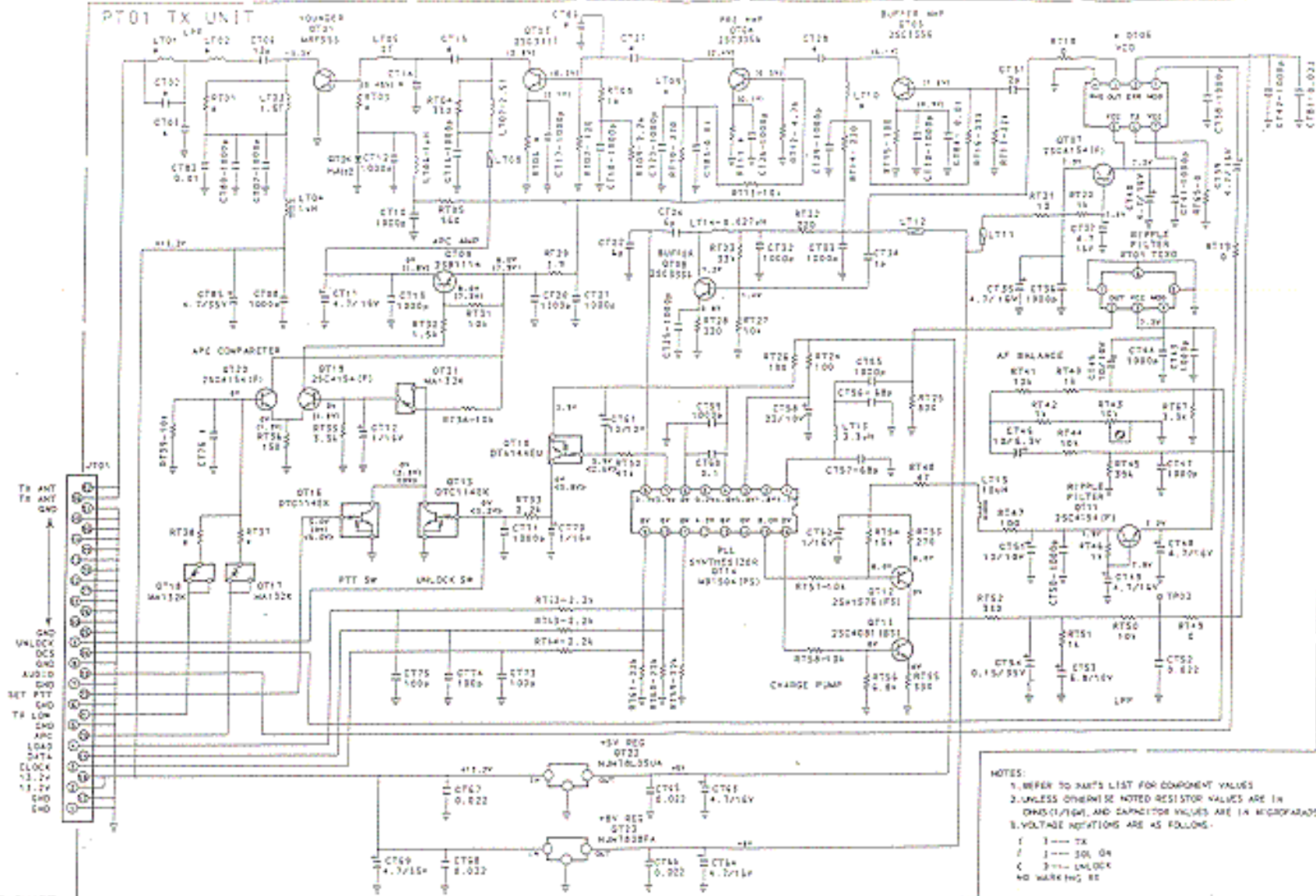


PT01 TX UNIT



NOTES:  
 1. REFER TO PARTS LIST FOR COMPONENT VALUES.  
 2. UNLESS OTHERWISE NOTED RESISTOR VALUES ARE IN OHMS (Ω), KΩ AND CAPACITOR VALUES ARE IN MICROFARADS.  
 3. VOLTAGE NOTATIONS ARE AS FOLLOWS:  
 T 1 --- TX  
 S 1 --- SOL ON  
 C 1 --- UNLOCK  
 NO MARKING IS

\* F CHART

	CT22	CT05	CT14	CT15	CT01	CT28	CT26	CT06	LT01	LT02	LT09	LT10	RT01	RT03	RT06	RT11	RT11	RT30	ST06
RPB0JA132	1k	5k	4k	3k	7k	6k	1000k	-	1.5T	1.5T	0.015	0.015	-	100	2.2	4.7	1k	1k	H-026Y6040

YAESU MUSEN CO., LTD.  
 FCC ID: K66RP00  
 EXHIBIT #