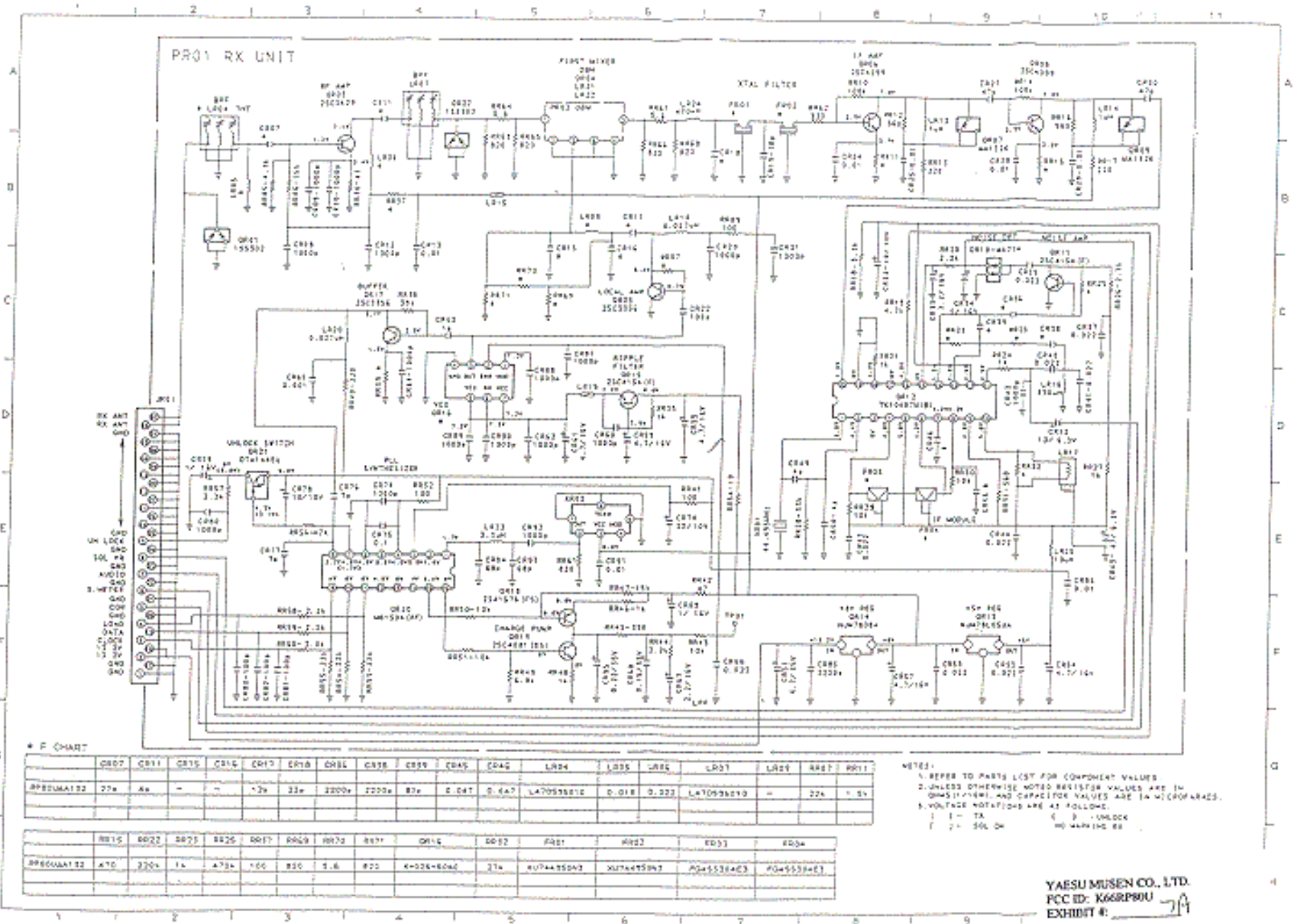


0. SCHEMATIC DIAGRAM AND COMPONENT OVERLAY DIAGRAM



* P CHART

CR07	CR11	CR15	CR16	CR17	CR18	CR19	CR20	CR21	CR22	CR23	CR24	CR25	CR26	CR27	CR28	CR29	CR30	CR31	CR32	CR33	CR34	CR35	CR36	CR37	CR38	CR39	CR40	CR41	CR42	CR43	CR44	CR45	CR46	CR47	CR48	CR49	CR50	CR51	CR52	CR53	CR54	CR55	CR56	CR57	CR58	CR59	CR60	CR61	CR62	CR63	CR64	CR65	CR66	CR67	CR68	CR69	CR70	CR71	CR72	CR73	CR74	CR75	CR76	CR77	CR78	CR79	CR80	CR81	CR82	CR83	CR84	CR85	CR86	CR87	CR88	CR89	CR90	CR91	CR92	CR93	CR94	CR95	CR96	CR97	CR98	CR99	CR100	CR101	CR102	CR103	CR104	CR105	CR106	CR107	CR108	CR109	CR110	CR111	CR112	CR113	CR114	CR115	CR116	CR117	CR118	CR119	CR120	CR121	CR122	CR123	CR124	CR125	CR126	CR127	CR128	CR129	CR130	CR131	CR132	CR133	CR134	CR135	CR136	CR137	CR138	CR139	CR140	CR141	CR142	CR143	CR144	CR145	CR146	CR147	CR148	CR149	CR150	CR151	CR152	CR153	CR154	CR155	CR156	CR157	CR158	CR159	CR160	CR161	CR162	CR163	CR164	CR165	CR166	CR167	CR168	CR169	CR170	CR171	CR172	CR173	CR174	CR175	CR176	CR177	CR178	CR179	CR180	CR181	CR182	CR183	CR184	CR185	CR186	CR187	CR188	CR189	CR190	CR191	CR192	CR193	CR194	CR195	CR196	CR197	CR198	CR199	CR200	CR201	CR202	CR203	CR204	CR205	CR206	CR207	CR208	CR209	CR210	CR211	CR212	CR213	CR214	CR215	CR216	CR217	CR218	CR219	CR220	CR221	CR222	CR223	CR224	CR225	CR226	CR227	CR228	CR229	CR230	CR231	CR232	CR233	CR234	CR235	CR236	CR237	CR238	CR239	CR240	CR241	CR242	CR243	CR244	CR245	CR246	CR247	CR248	CR249	CR250	CR251	CR252	CR253	CR254	CR255	CR256	CR257	CR258	CR259	CR260	CR261	CR262	CR263	CR264	CR265	CR266	CR267	CR268	CR269	CR270	CR271	CR272	CR273	CR274	CR275	CR276	CR277	CR278	CR279	CR280	CR281	CR282	CR283	CR284	CR285	CR286	CR287	CR288	CR289	CR290	CR291	CR292	CR293	CR294	CR295	CR296	CR297	CR298	CR299	CR300	CR301	CR302	CR303	CR304	CR305	CR306	CR307	CR308	CR309	CR310	CR311	CR312	CR313	CR314	CR315	CR316	CR317	CR318	CR319	CR320	CR321	CR322	CR323	CR324	CR325	CR326	CR327	CR328	CR329	CR330	CR331	CR332	CR333	CR334	CR335	CR336	CR337	CR338	CR339	CR340	CR341	CR342	CR343	CR344	CR345	CR346	CR347	CR348	CR349	CR350	CR351	CR352	CR353	CR354	CR355	CR356	CR357	CR358	CR359	CR360	CR361	CR362	CR363	CR364	CR365	CR366	CR367	CR368	CR369	CR370	CR371	CR372	CR373	CR374	CR375	CR376	CR377	CR378	CR379	CR380	CR381	CR382	CR383	CR384	CR385	CR386	CR387	CR388	CR389	CR390	CR391	CR392	CR393	CR394	CR395	CR396	CR397	CR398	CR399	CR400	CR401	CR402	CR403	CR404	CR405	CR406	CR407	CR408	CR409	CR410	CR411	CR412	CR413	CR414	CR415	CR416	CR417	CR418	CR419	CR420	CR421	CR422	CR423	CR424	CR425	CR426	CR427	CR428	CR429	CR430	CR431	CR432	CR433	CR434	CR435	CR436	CR437	CR438	CR439	CR440	CR441	CR442	CR443	CR444	CR445	CR446	CR447	CR448	CR449	CR450	CR451	CR452	CR453	CR454	CR455	CR456	CR457	CR458	CR459	CR460	CR461	CR462	CR463	CR464	CR465	CR466	CR467	CR468	CR469	CR470	CR471	CR472	CR473	CR474	CR475	CR476	CR477	CR478	CR479	CR480	CR481	CR482	CR483	CR484	CR485	CR486	CR487	CR488	CR489	CR490	CR491	CR492	CR493	CR494	CR495	CR496	CR497	CR498	CR499	CR500	CR501	CR502	CR503	CR504	CR505	CR506	CR507	CR508	CR509	CR510	CR511	CR512	CR513	CR514	CR515	CR516	CR517	CR518	CR519	CR520	CR521	CR522	CR523	CR524	CR525	CR526	CR527	CR528	CR529	CR530	CR531	CR532	CR533	CR534	CR535	CR536	CR537	CR538	CR539	CR540	CR541	CR542	CR543	CR544	CR545	CR546	CR547	CR548	CR549	CR550	CR551	CR552	CR553	CR554	CR555	CR556	CR557	CR558	CR559	CR560	CR561	CR562	CR563	CR564	CR565	CR566	CR567	CR568	CR569	CR570	CR571	CR572	CR573	CR574	CR575	CR576	CR577	CR578	CR579	CR580	CR581	CR582	CR583	CR584	CR585	CR586	CR587	CR588	CR589	CR590	CR591	CR592	CR593	CR594	CR595	CR596	CR597	CR598	CR599	CR600	CR601	CR602	CR603	CR604	CR605	CR606	CR607	CR608	CR609	CR610	CR611	CR612	CR613	CR614	CR615	CR616	CR617	CR618	CR619	CR620	CR621	CR622	CR623	CR624	CR625	CR626	CR627	CR628	CR629	CR630	CR631	CR632	CR633	CR634	CR635	CR636	CR637	CR638	CR639	CR640	CR641	CR642	CR643	CR644	CR645	CR646	CR647	CR648	CR649	CR650	CR651	CR652	CR653	CR654	CR655	CR656	CR657	CR658	CR659	CR660	CR661	CR662	CR663	CR664	CR665	CR666	CR667	CR668	CR669	CR670	CR671	CR672	CR673	CR674	CR675	CR676	CR677	CR678	CR679	CR680	CR681	CR682	CR683	CR684	CR685	CR686	CR687	CR688	CR689	CR690	CR691	CR692	CR693	CR694	CR695	CR696	CR697	CR698	CR699	CR700	CR701	CR702	CR703	CR704	CR705	CR706	CR707	CR708	CR709	CR710	CR711	CR712	CR713	CR714	CR715	CR716	CR717	CR718	CR719	CR720	CR721	CR722	CR723	CR724	CR725	CR726	CR727	CR728	CR729	CR730	CR731	CR732	CR733	CR734	CR735	CR736	CR737	CR738	CR739	CR740	CR741	CR742	CR743	CR744	CR745	CR746	CR747	CR748	CR749	CR750	CR751	CR752	CR753	CR754	CR755	CR756	CR757	CR758	CR759	CR760	CR761	CR762	CR763	CR764	CR765	CR766	CR767	CR768	CR769	CR770	CR771	CR772	CR773	CR774	CR775	CR776	CR777	CR778	CR779	CR780	CR781	CR782	CR783	CR784	CR785	CR786	CR787	CR788	CR789	CR790	CR791	CR792	CR793	CR794	CR795	CR796	CR797	CR798	CR799	CR800	CR801	CR802	CR803	CR804	CR805	CR806	CR807	CR808	CR809	CR810	CR811	CR812	CR813	CR814	CR815	CR816	CR817	CR818	CR819	CR820	CR821	CR822	CR823	CR824	CR825	CR826	CR827	CR828	CR829	CR830	CR831	CR832	CR833	CR834	CR835	CR836	CR837	CR838	CR839	CR840	CR841	CR842	CR843	CR844	CR845	CR846	CR847	CR848	CR849	CR850	CR851	CR852	CR853	CR854	CR855	CR856	CR857	CR858	CR859	CR860	CR861	CR862	CR863	CR864	CR865	CR866	CR867	CR868	CR869	CR870	CR871	CR872	CR873	CR874	CR875	CR876	CR877	CR878	CR879	CR880	CR881	CR882	CR883	CR884	CR885	CR886	CR887	CR888	CR889	CR890	CR891	CR892	CR893	CR894	CR895	CR896	CR897	CR898	CR899	CR900	CR901	CR902	CR903	CR904	CR905	CR906	CR907	CR908	CR909	CR910	CR911	CR912	CR913	CR914	CR915	CR916	CR917	CR918	CR919	CR920	CR921	CR922	CR923	CR924	CR925	CR926	CR927	CR928	CR929	CR930	CR931	CR932	CR933	CR934	CR935	CR936	CR937	CR938	CR939	CR940	CR941	CR942	CR943	CR944	CR945	CR946	CR947	CR948	CR949	CR950	CR951	CR952	CR953	CR954	CR955	CR956	CR957	CR958	CR959	CR960	CR961	CR962	CR963	CR964	CR965	CR966	CR967	CR968	CR969	CR970	CR971	CR972	CR973	CR974	CR975	CR976	CR977	CR978	CR979	CR980	CR981	CR982	CR983	CR984	CR985	CR986	CR987	CR988	CR989	CR990	CR991	CR992	CR993	CR994	CR995	CR996	CR997	CR998	CR999	CR1000
------	------	------	------	------	------	------	------	------	------	------	------	------	------	------	------	------	------	------	------	------	------	------	------	------	------	------	------	------	------	------	------	------	------	------	------	------	------	------	------	------	------	------	------	------	------	------	------	------	------	------	------	------	------	------	------	------	------	------	------	------	------	------	------	------	------	------	------	------	------	------	------	------	------	------	------	------	------	------	------	------	------	------	------	------	------	------	-------	-------	-------	-------	-------	-------	-------	-------	-------	-------	-------	-------	-------	-------	-------	-------	-------	-------	-------	-------	-------	-------	-------	-------	-------	-------	-------	-------	-------	-------	-------	-------	-------	-------	-------	-------	-------	-------	-------	-------	-------	-------	-------	-------	-------	-------	-------	-------	-------	-------	-------	-------	-------	-------	-------	-------	-------	-------	-------	-------	-------	-------	-------	-------	-------	-------	-------	-------	-------	-------	-------	-------	-------	-------	-------	-------	-------	-------	-------	-------	-------	-------	-------	-------	-------	-------	-------	-------	-------	-------	-------	-------	-------	-------	-------	-------	-------	-------	-------	-------	-------	-------	-------	-------	-------	-------	-------	-------	-------	-------	-------	-------	-------	-------	-------	-------	-------	-------	-------	-------	-------	-------	-------	-------	-------	-------	-------	-------	-------	-------	-------	-------	-------	-------	-------	-------	-------	-------	-------	-------	-------	-------	-------	-------	-------	-------	-------	-------	-------	-------	-------	-------	-------	-------	-------	-------	-------	-------	-------	-------	-------	-------	-------	-------	-------	-------	-------	-------	-------	-------	-------	-------	-------	-------	-------	-------	-------	-------	-------	-------	-------	-------	-------	-------	-------	-------	-------	-------	-------	-------	-------	-------	-------	-------	-------	-------	-------	-------	-------	-------	-------	-------	-------	-------	-------	-------	-------	-------	-------	-------	-------	-------	-------	-------	-------	-------	-------	-------	-------	-------	-------	-------	-------	-------	-------	-------	-------	-------	-------	-------	-------	-------	-------	-------	-------	-------	-------	-------	-------	-------	-------	-------	-------	-------	-------	-------	-------	-------	-------	-------	-------	-------	-------	-------	-------	-------	-------	-------	-------	-------	-------	-------	-------	-------	-------	-------	-------	-------	-------	-------	-------	-------	-------	-------	-------	-------	-------	-------	-------	-------	-------	-------	-------	-------	-------	-------	-------	-------	-------	-------	-------	-------	-------	-------	-------	-------	-------	-------	-------	-------	-------	-------	-------	-------	-------	-------	-------	-------	-------	-------	-------	-------	-------	-------	-------	-------	-------	-------	-------	-------	-------	-------	-------	-------	-------	-------	-------	-------	-------	-------	-------	-------	-------	-------	-------	-------	-------	-------	-------	-------	-------	-------	-------	-------	-------	-------	-------	-------	-------	-------	-------	-------	-------	-------	-------	-------	-------	-------	-------	-------	-------	-------	-------	-------	-------	-------	-------	-------	-------	-------	-------	-------	-------	-------	-------	-------	-------	-------	-------	-------	-------	-------	-------	-------	-------	-------	-------	-------	-------	-------	-------	-------	-------	-------	-------	-------	-------	-------	-------	-------	-------	-------	-------	-------	-------	-------	-------	-------	-------	-------	-------	-------	-------	-------	-------	-------	-------	-------	-------	-------	-------	-------	-------	-------	-------	-------	-------	-------	-------	-------	-------	-------	-------	-------	-------	-------	-------	-------	-------	-------	-------	-------	-------	-------	-------	-------	-------	-------	-------	-------	-------	-------	-------	-------	-------	-------	-------	-------	-------	-------	-------	-------	-------	-------	-------	-------	-------	-------	-------	-------	-------	-------	-------	-------	-------	-------	-------	-------	-------	-------	-------	-------	-------	-------	-------	-------	-------	-------	-------	-------	-------	-------	-------	-------	-------	-------	-------	-------	-------	-------	-------	-------	-------	-------	-------	-------	-------	-------	-------	-------	-------	-------	-------	-------	-------	-------	-------	-------	-------	-------	-------	-------	-------	-------	-------	-------	-------	-------	-------	-------	-------	-------	-------	-------	-------	-------	-------	-------	-------	-------	-------	-------	-------	-------	-------	-------	-------	-------	-------	-------	-------	-------	-------	-------	-------	-------	-------	-------	-------	-------	-------	-------	-------	-------	-------	-------	-------	-------	-------	-------	-------	-------	-------	-------	-------	-------	-------	-------	-------	-------	-------	-------	-------	-------	-------	-------	-------	-------	-------	-------	-------	-------	-------	-------	-------	-------	-------	-------	-------	-------	-------	-------	-------	-------	-------	-------	-------	-------	-------	-------	-------	-------	-------	-------	-------	-------	-------	-------	-------	-------	-------	-------	-------	-------	-------	-------	-------	-------	-------	-------	-------	-------	-------	-------	-------	-------	-------	-------	-------	-------	-------	-------	-------	-------	-------	-------	-------	-------	-------	-------	-------	-------	-------	-------	-------	-------	-------	-------	-------	-------	-------	-------	-------	-------	-------	-------	-------	-------	-------	-------	-------	-------	-------	-------	-------	-------	-------	-------	-------	-------	-------	-------	-------	-------	-------	-------	-------	-------	-------	-------	-------	-------	-------	-------	-------	-------	-------	-------	-------	-------	-------	-------	-------	-------	-------	-------	-------	-------	-------	-------	-------	-------	-------	-------	-------	-------	-------	-------	-------	-------	-------	-------	-------	-------	-------	-------	-------	-------	-------	-------	-------	-------	-------	-------	-------	-------	-------	-------	-------	-------	-------	-------	-------	-------	-------	-------	-------	-------	-------	-------	-------	-------	-------	-------	-------	-------	-------	-------	-------	-------	-------	-------	-------	-------	-------	-------	-------	-------	-------	-------	-------	-------	-------	-------	-------	-------	-------	-------	-------	-------	-------	-------	-------	-------	-------	-------	-------	-------	-------	-------	-------	-------	-------	-------	-------	-------	-------	-------	-------	-------	-------	-------	-------	-------	-------	-------	-------	-------	-------	-------	-------	-------	-------	-------	-------	-------	-------	-------	-------	-------	-------	-------	-------	-------	-------	-------	-------	-------	-------	-------	-------	-------	-------	-------	-------	-------	-------	-------	-------	-------	-------	-------	-------	-------	-------	-------	-------	-------	-------	-------	-------	-------	-------	-------	-------	-------	-------	-------	-------	-------	-------	-------	-------	-------	-------	-------	-------	-------	-------	-------	-------	-------	-------	-------	-------	-------	-------	-------	-------	-------	-------	-------	-------	-------	-------	-------	-------	-------	-------	-------	-------	-------	-------	-------	-------	-------	-------	-------	-------	-------	--------

NOTES:
 1. REFER TO PARTS LIST FOR COMPONENT VALUES
 2. UNLESS OTHERWISE NOTED RESISTOR VALUES ARE IN OHMS(1/10M), AND CAPACITOR VALUES ARE IN MICROFARADS.
 3. VOLTAGE NOTATIONS ARE AS FOLLOWS:
 1 = 1V 10 = 10V
 1K = 1KV 10K = 10KV
 1M = 1MV 10M = 10MV
 100 = 100V 1000 = 1000V

CR115	CR122	CR123	CR125	CR127	CR129	CR131	CR133	CR135	CR137	CR139	CR141	CR143	CR145	CR147	CR149	CR151	CR153	CR155	CR157	CR159	CR161	CR163	CR165	CR167	CR169	CR171	CR173	CR175	CR177	CR179	CR181	CR183	CR185	CR187	CR189	CR191	CR193	CR195	CR197	CR199	CR201	CR203	CR205	CR207	CR209	CR211	CR213	CR215	CR217	CR219	CR221	CR223	CR225	CR227	CR229	CR231	CR233	CR235	CR237	CR239	CR241	CR243	CR245	CR247	CR249	CR251	CR253	CR255	CR257	CR259	CR261	CR263	CR265	CR267	CR269	CR271	CR273	CR275	CR277	CR279	CR281	CR283	CR285	CR287	CR289	CR291	CR293	CR295	CR297	CR299	CR301	CR303	CR305	CR307	CR309	CR311	CR313	CR315	CR317	CR319	CR321	CR323	CR325	CR327	CR329	CR331	CR333	CR335	CR337	CR339	CR341	CR343	CR345	CR347	CR349	CR351	CR353	CR355	CR357	CR359	CR361	CR363	CR365	CR367	CR369	CR371	CR373	CR375	CR377	CR379	CR381	CR383	CR385	CR387	CR389	CR391	CR393	CR395	CR397	CR399	CR401	CR403	CR405	CR407	CR409	CR411	CR413	CR415	CR417	CR419	CR421	CR423	CR425	CR427	CR429	CR431	CR433	CR435	CR437	CR439	CR441	CR443	CR445	CR447	CR449	CR451	CR453	CR455	CR457	CR459	CR461	CR463	CR465	CR467	CR469	CR471	CR473	CR475	CR477	CR479	CR481	CR483	CR485	CR487	CR489	CR491	CR493	CR495	CR497	CR499	CR501	CR503	CR505	CR507	CR509	CR511	CR513	CR515	CR517	CR519	CR521	CR523	CR525	CR527	
-------	-------	-------	-------	-------	-------	-------	-------	-------	-------	-------	-------	-------	-------	-------	-------	-------	-------	-------	-------	-------	-------	-------	-------	-------	-------	-------	-------	-------	-------	-------	-------	-------	-------	-------	-------	-------	-------	-------	-------	-------	-------	-------	-------	-------	-------	-------	-------	-------	-------	-------	-------	-------	-------	-------	-------	-------	-------	-------	-------	-------	-------	-------	-------	-------	-------	-------	-------	-------	-------	-------	-------	-------	-------	-------	-------	-------	-------	-------	-------	-------	-------	-------	-------	-------	-------	-------	-------	-------	-------	-------	-------	-------	-------	-------	-------	-------	-------	-------	-------	-------	-------	-------	-------	-------	-------	-------	-------	-------	-------	-------	-------	-------	-------	-------	-------	-------	-------	-------	-------	-------	-------	-------	-------	-------	-------	-------	-------	-------	-------	-------	-------	-------	-------	-------	-------	-------	-------	-------	-------	-------	-------	-------	-------	-------	-------	-------	-------	-------	-------	-------	-------	-------	-------	-------	-------	-------	-------	-------	-------	-------	-------	-------	-------	-------	-------	-------	-------	-------	-------	-------	-------	-------	-------	-------	-------	-------	-------	-------	-------	-------	-------	-------	-------	-------	-------	-------	-------	-------	-------	-------	-------	-------	-------	-------	-------	-------	-------	-------	-------	-------	-------	-------	-------	-------	--