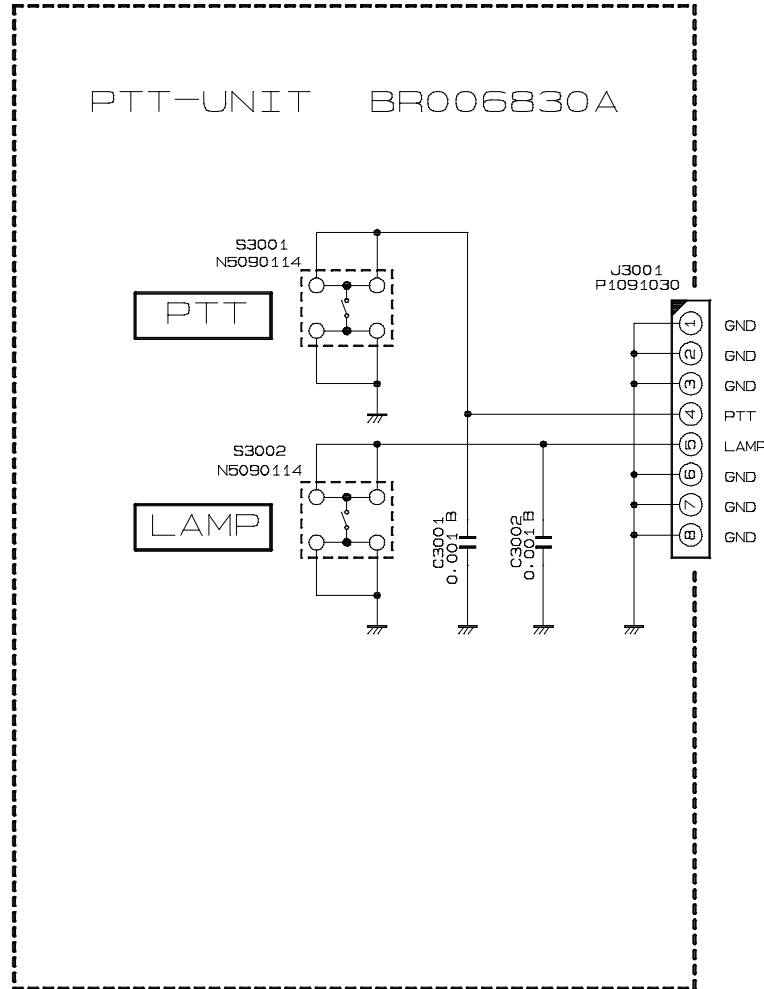


PTT-UNIT BR006830A



NOTE:
CAPACITOR VALUES ARE IN μ F. 50V :
UNLESS OTHERWISE NOTED.

CIRCUIT DIAGRAM	MODEL VX-***
DES. B-AC010N000/PTT-UNIT	
REF. BP0092200.cir/001.sht	EDITION 0000
DATE 05 JUN., 2000	UPDATE 05 SEP., 2000
YAESU MUSEN CO.,LTD	