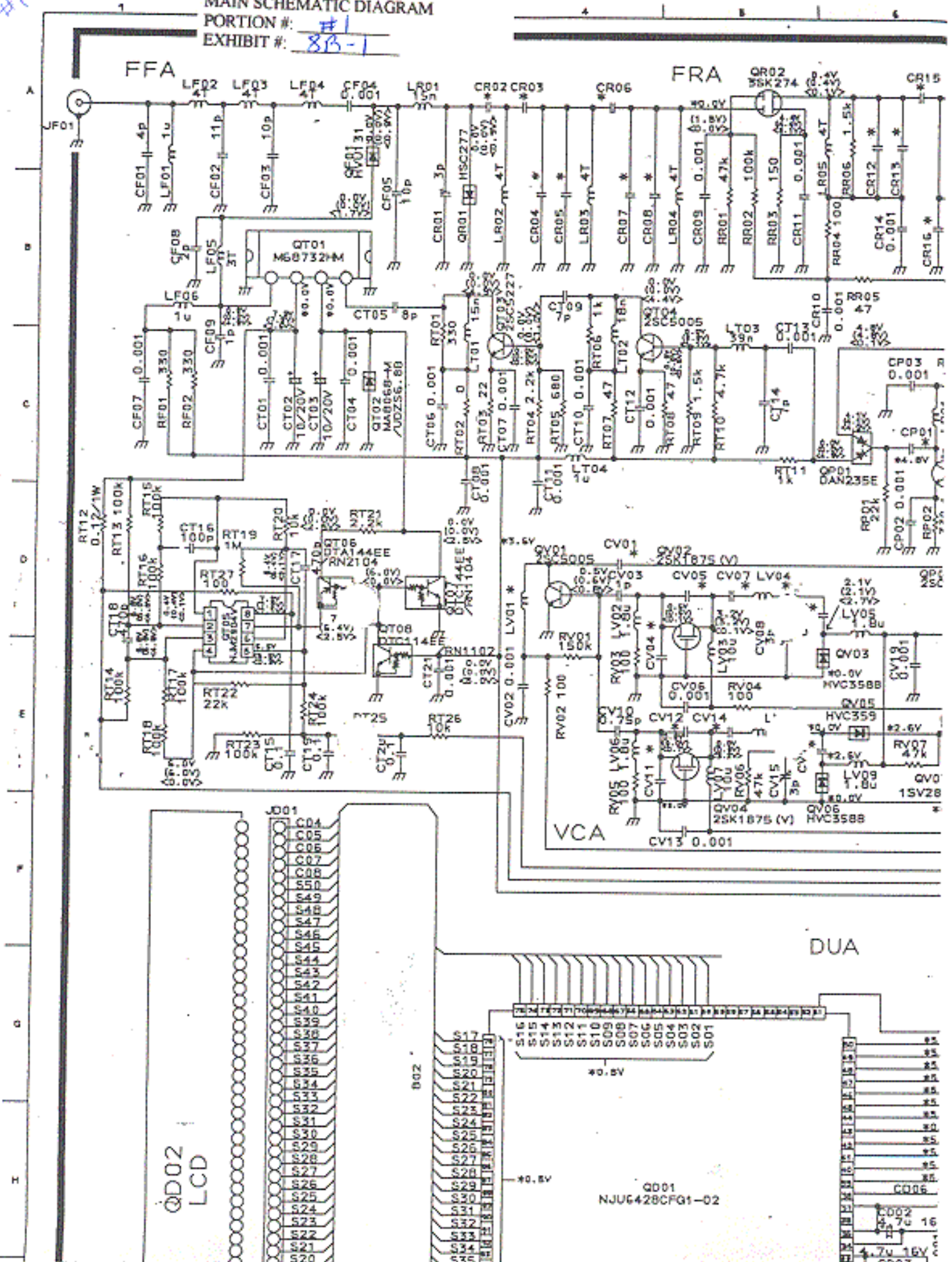
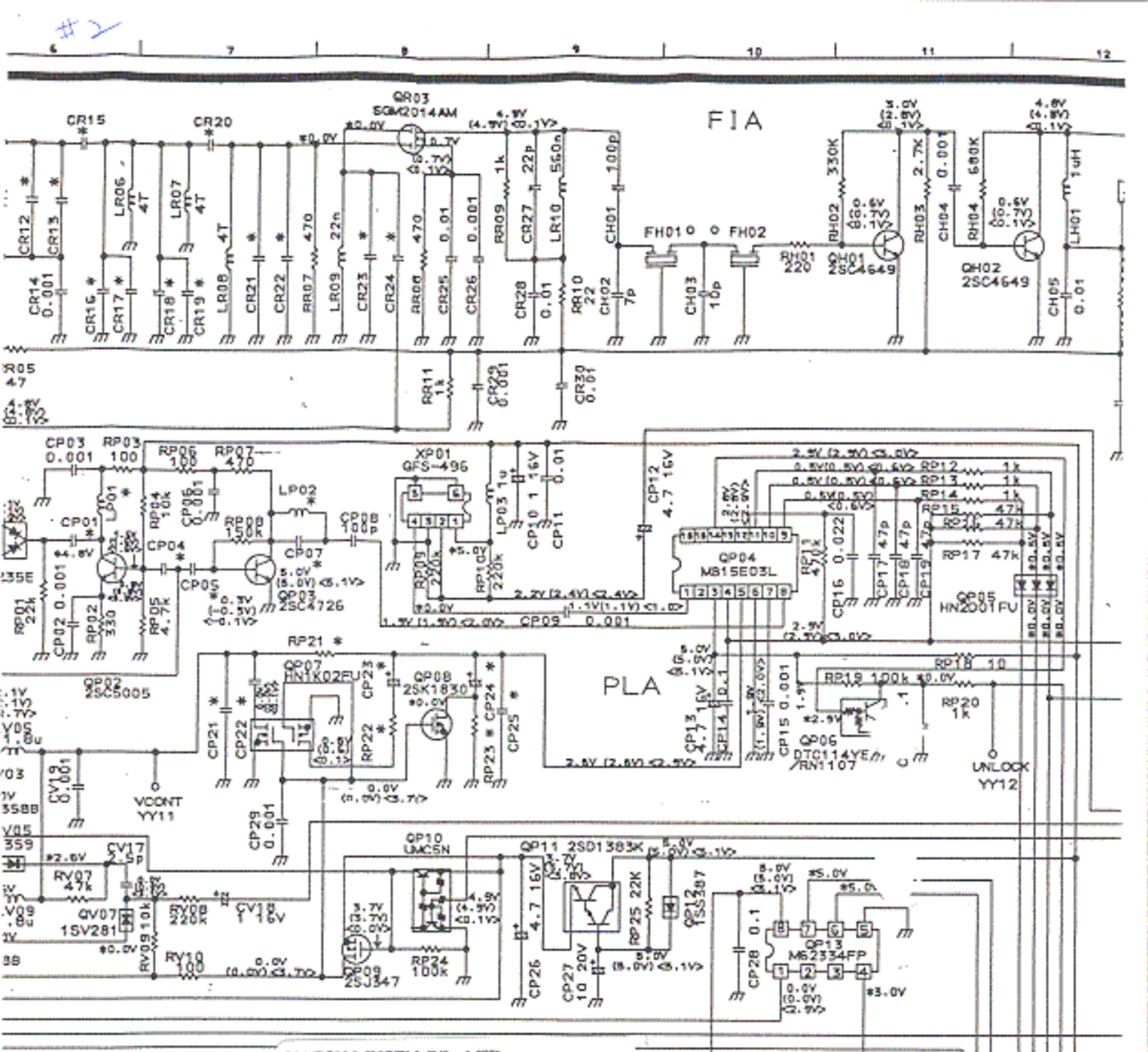
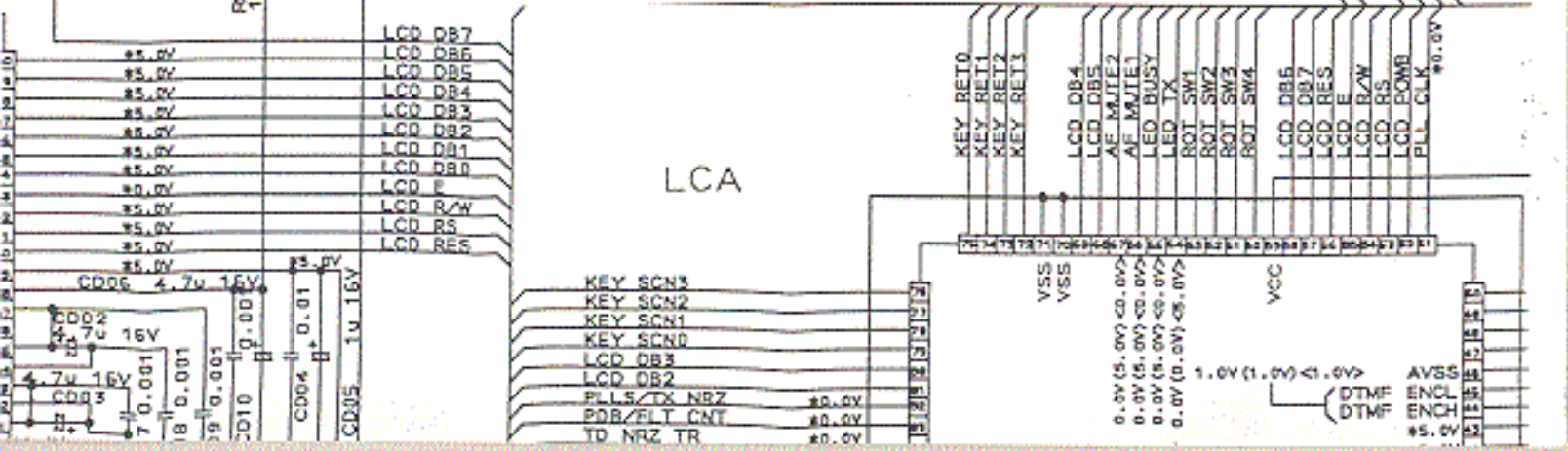


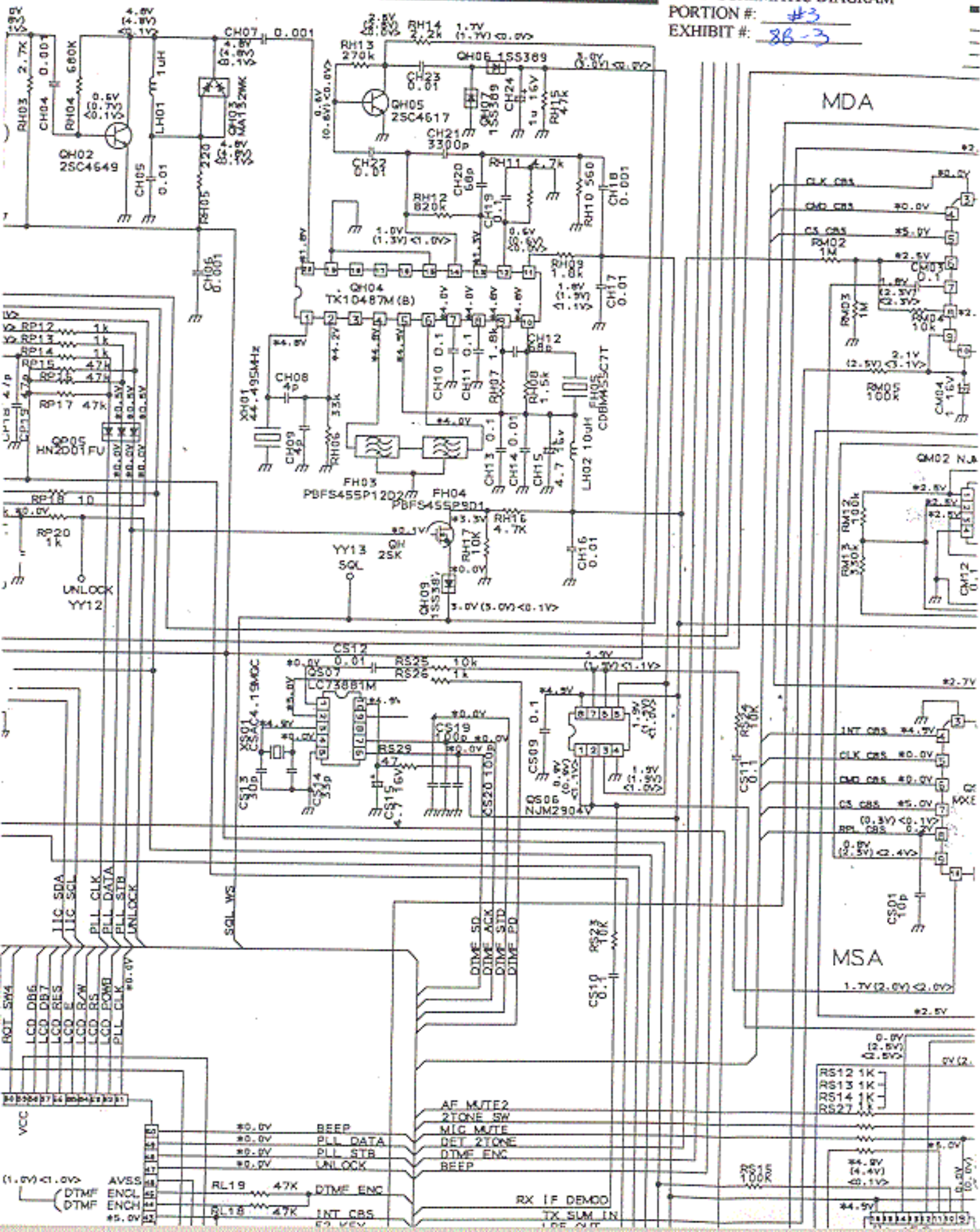
YAESU MUSEN CO., LTD.
 FCC ID: K66HX292UT
 MAIN SCHEMATIC DIAGRAM
 PORTION #: #1
 EXHIBIT #: 8B-1



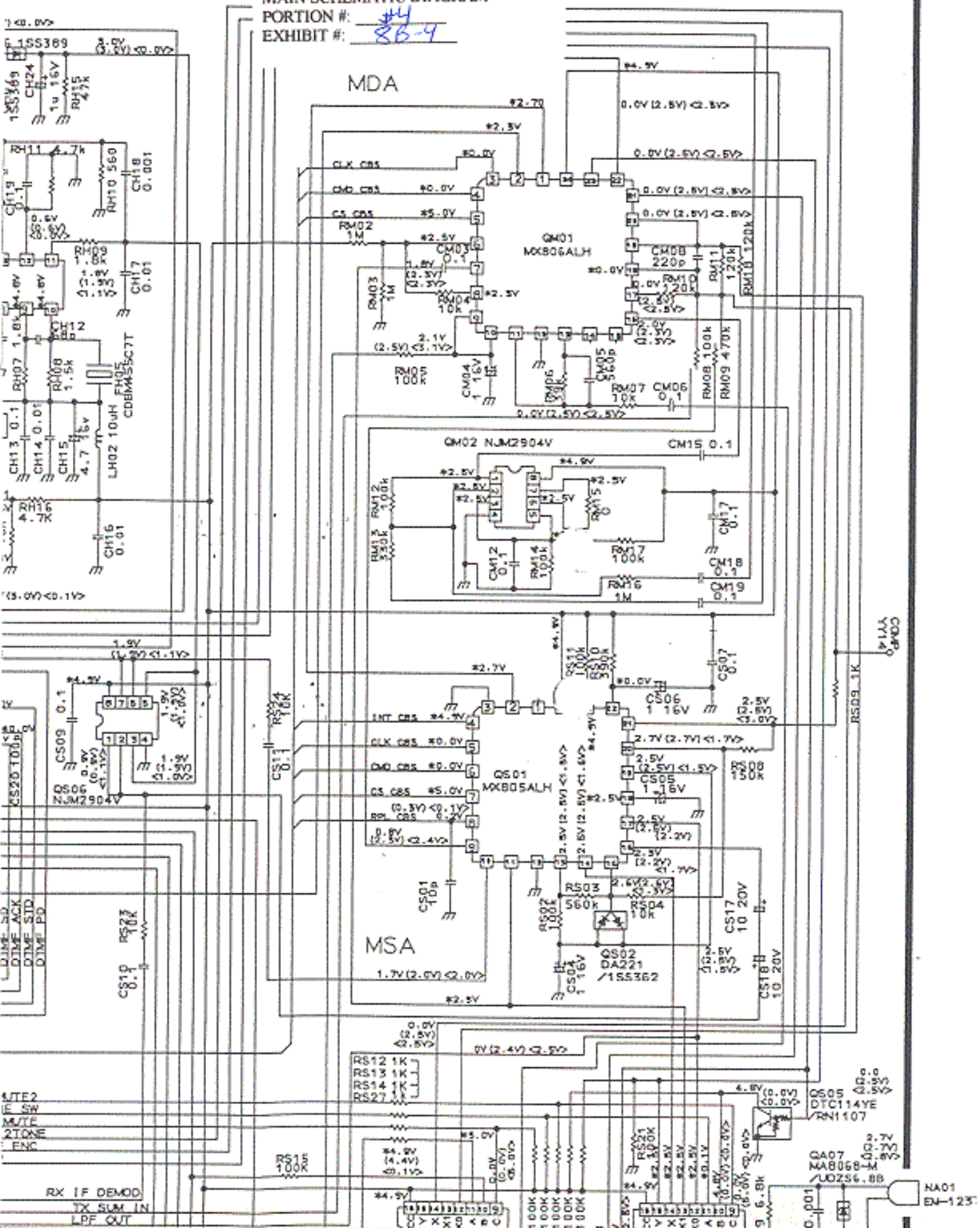


YAESU MUSEN CO., LTD.
 FCC ID: K66HX292UT
 MAIN SCHEMATIC DIAGRAM
 PORTION #: #2
 EXHIBIT #: 8B-2

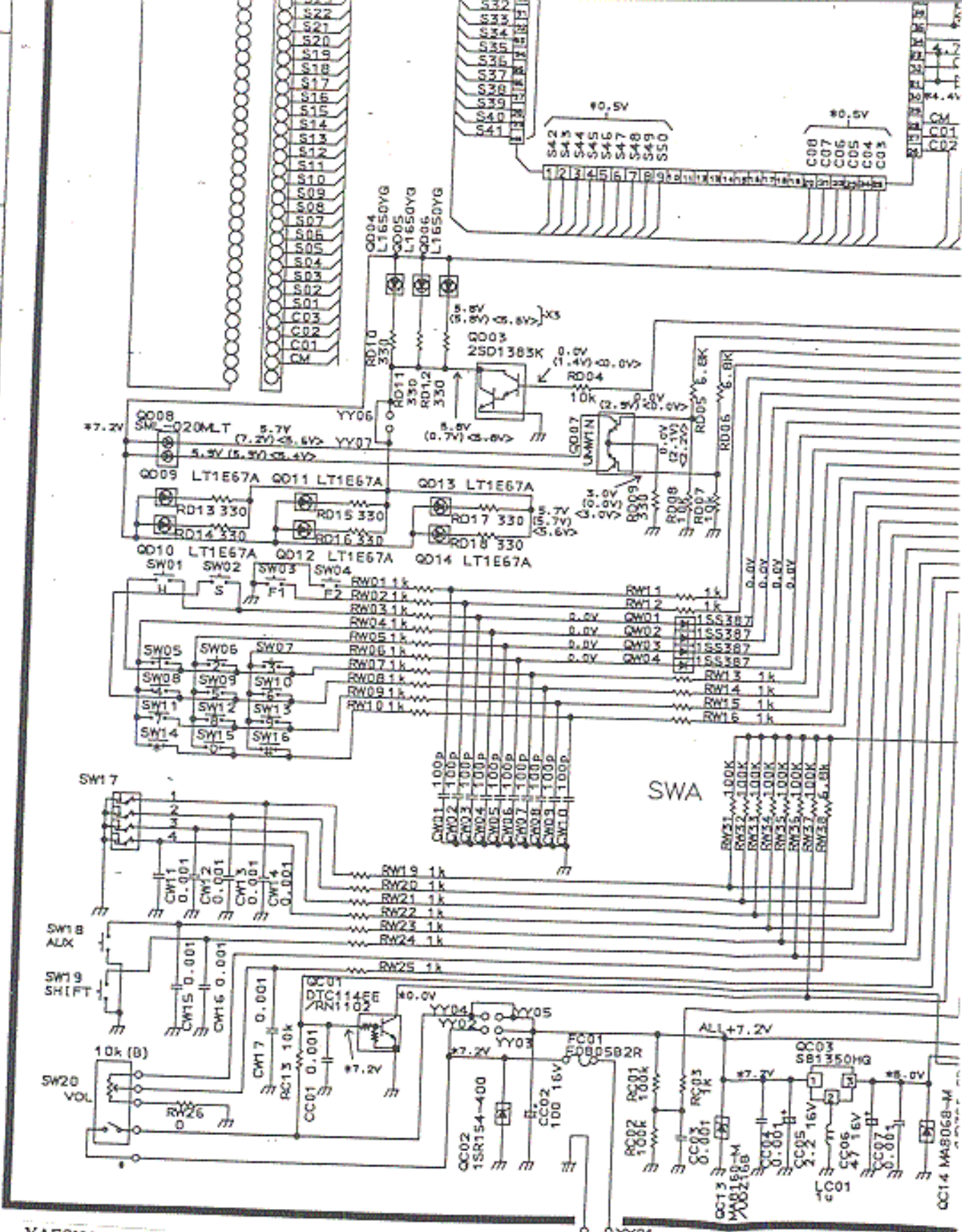




YAESU MUSEN CO., LTD.
FCC ID: K66HX292UT
MAIN SCHEMATIC DIAGRAM
PORTION #: #4
EXHIBIT #: 86-4

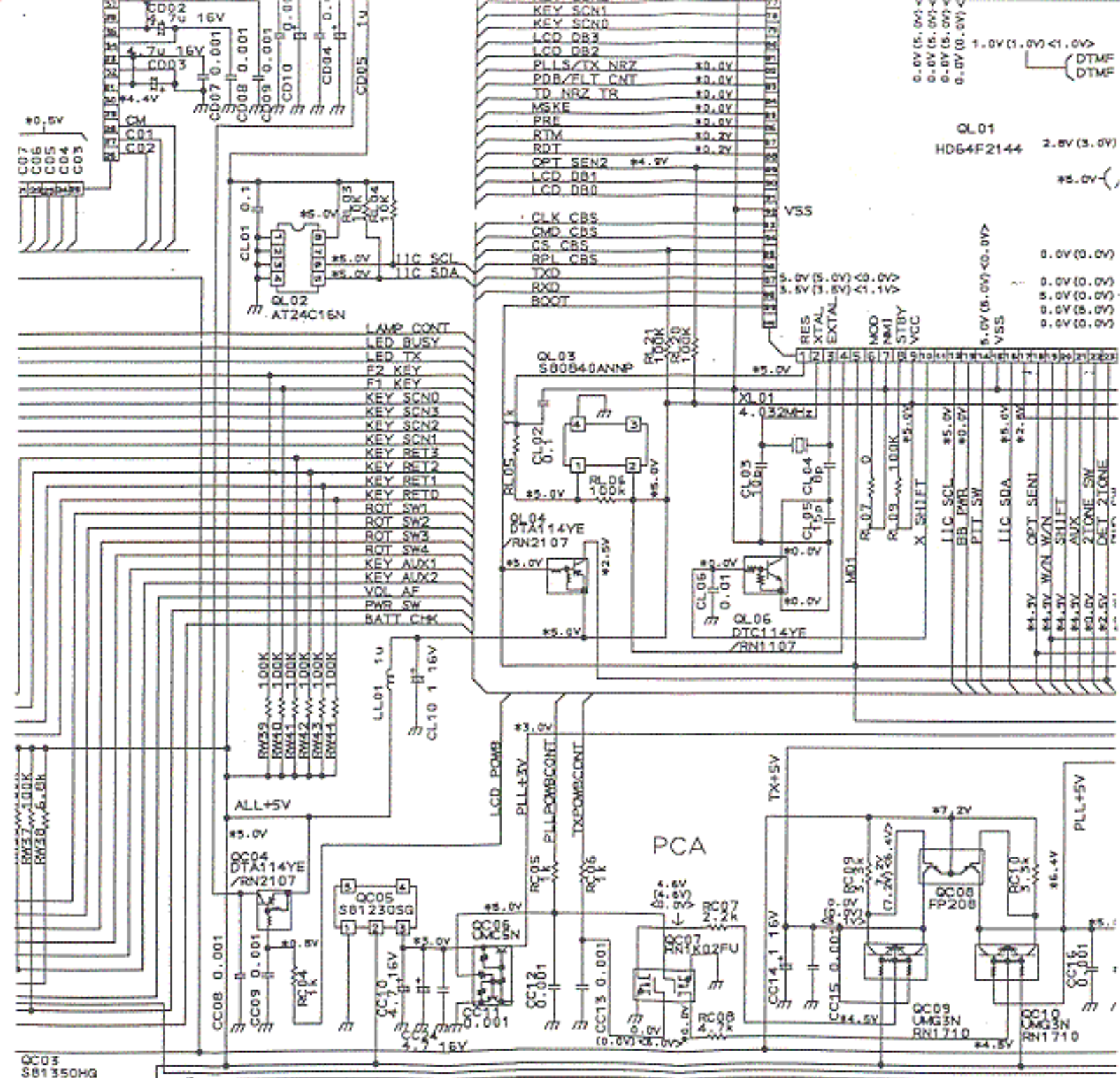


#5



YAESU MUSEN CO., LTD.
 FCC ID: K66HX292UT
 MAIN SCHEMATIC DIAGRAM
 PORTION #: #5
 EXHIBIT #: 8B-5

BATTERY -
 BATTERY +

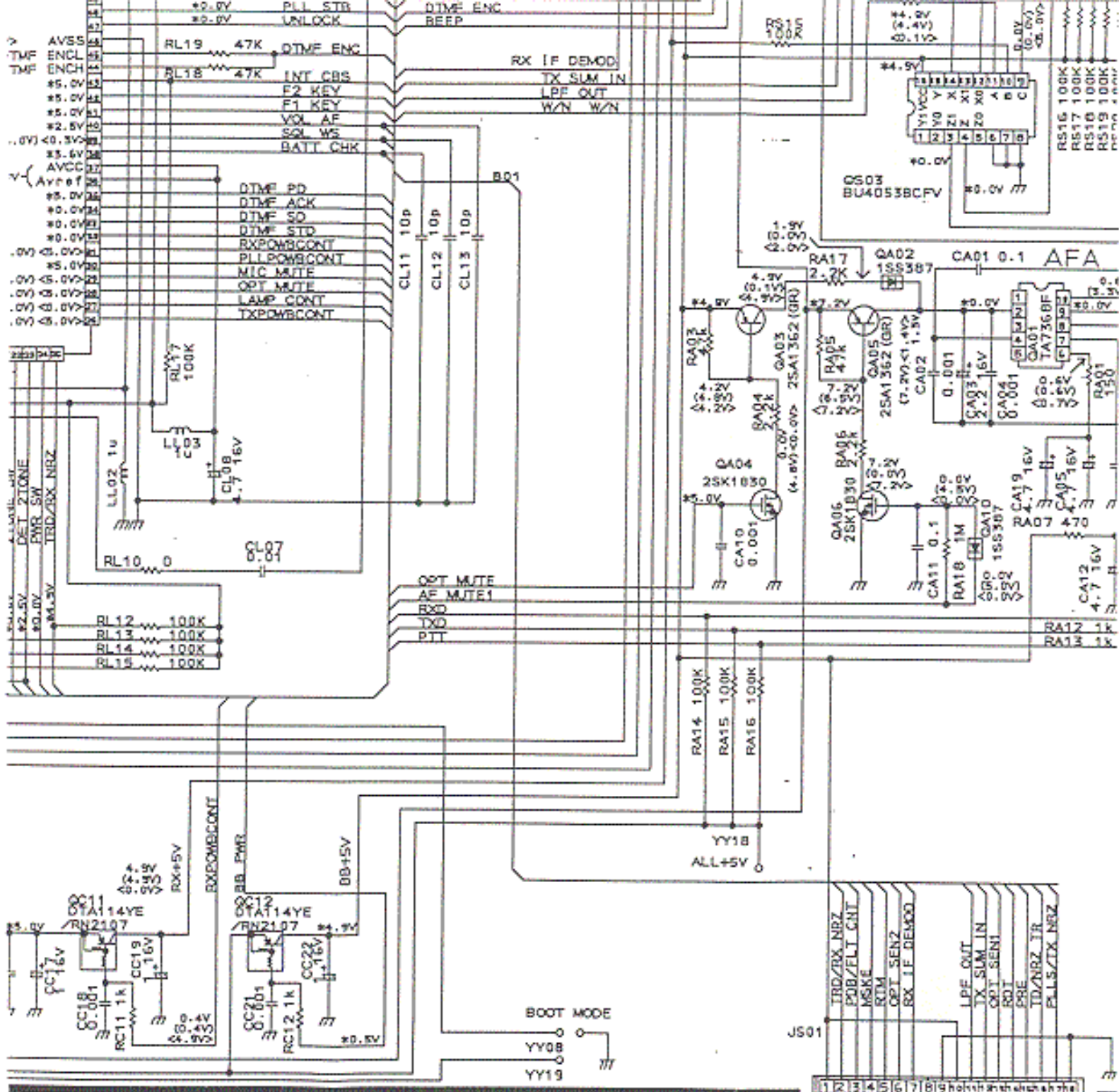


* F-CHART

	CR02	CR03	CR04	CR05	CR06	CR07	CR08	CR12	CR13	CR15	CR16	CR17	CR18
F1													
F3	4p	3p	3p	0.5p	1p	5p	3p	8p	0.5p	1p	8p	0.5p	8p
F5													

	CP01	CP04	CP05	CP07	LP01	LP02	CV01	CV04	CV05	CV07	CV09	CV11	CV12
F1													
F3	4p	5p	4p	1.5p	22nH	22nH	3p	8p	10p	100p	18p	4p	5p
F5													

YAESU MUSEN CO., LTD.
 FCC ID: K66HX292UT
 MAIN SCHEMATIC DIAGRAM
 PORTION #: 6
 EXHIBIT #: 8B-6



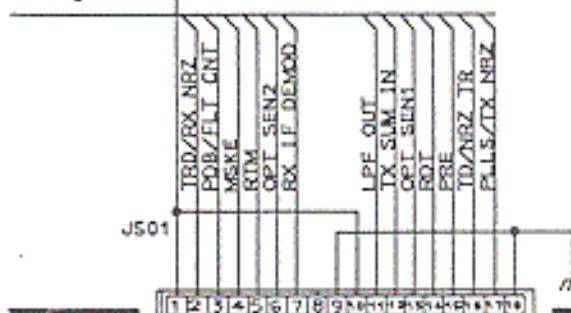
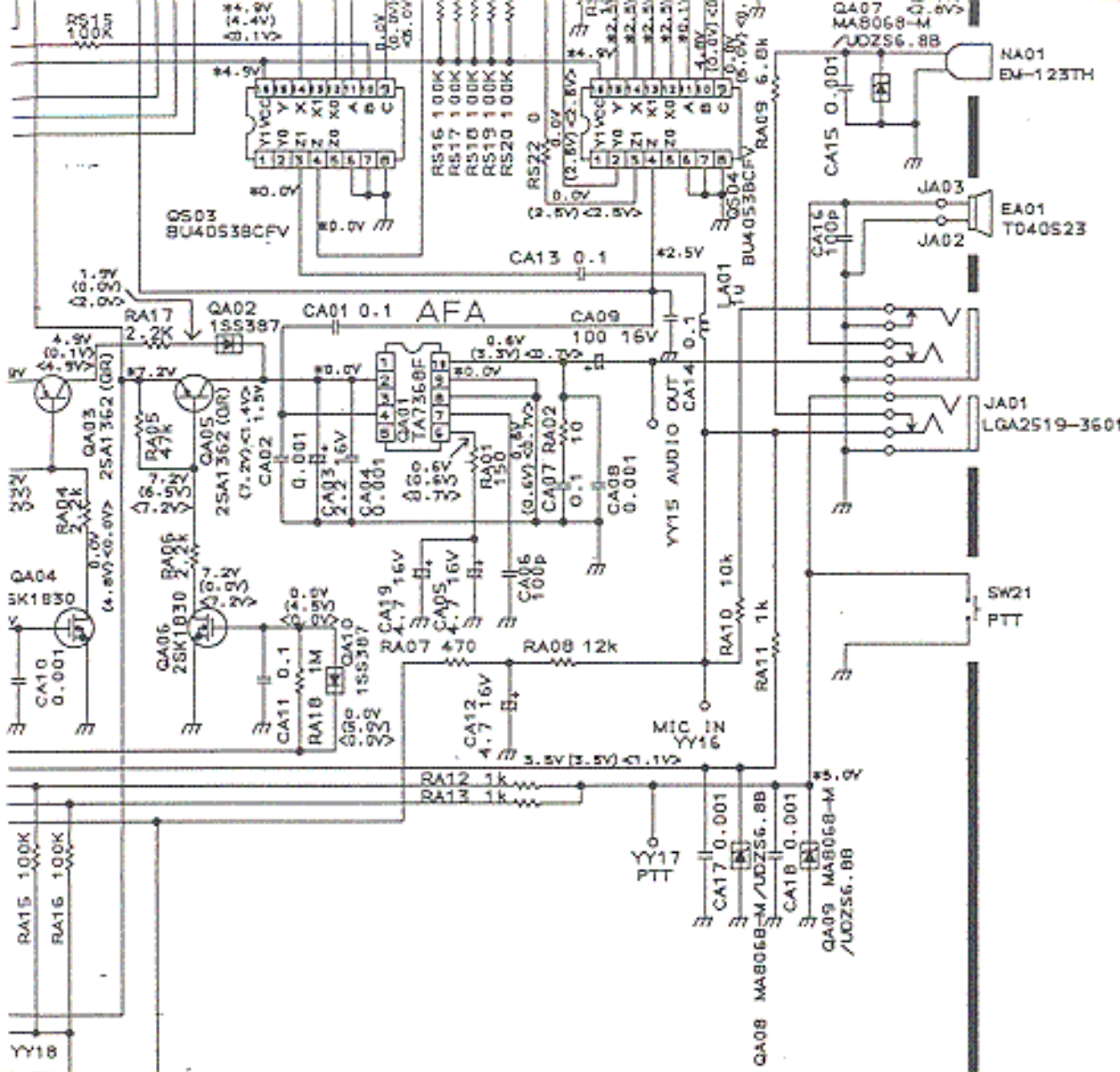
CR19	CR20	CR21	CR22	CR23	CR24
0.5p	1p	1.5p	6p	1p	3p

CV14	CV16	LV01	LV04	LV08	CP21	CP22	CP23	CP24	CP25	RP21	RP22	RP23
100p	18p	27nH	22nH	18nH	0.022	0.047	4.7u/16v	0.47u/16V	0.047	2.2k	390	820

YAESU MUSEN CO., LTD.
 FCC ID: K66HX292UT
 MAIN SCHEMATIC DIAGRAM
 PORTION #:
 EXHIBIT #: 8B-7

< > : 1A
 () : RX
 : WAITING
 * : ALL

#7



WI430B101-

YAESU MUSEN CO., LTD.
 FCC ID: K66HX292UT
 MAIN SCHEMATIC DIAGRAM
 PORTION #: H8
 EXHIBIT #: SB#8

P21	RP22	RP23
.2K	390	820

< > : TX
 () : RX
 : WAITING
 * : ALL

DRAWN BY		ORDER: 430B	
H. OHTA		SCHEMATIC DIAGRAM OF HX292UT	
DESIGNED BY		DATE	
T. SATO <i>K. Asakura</i>		'99- 3- 8	
APPROVED BY		430B493A0 0	
<i>N. Ohtsuka</i>		MARANTZ JAPAN IN	

#8