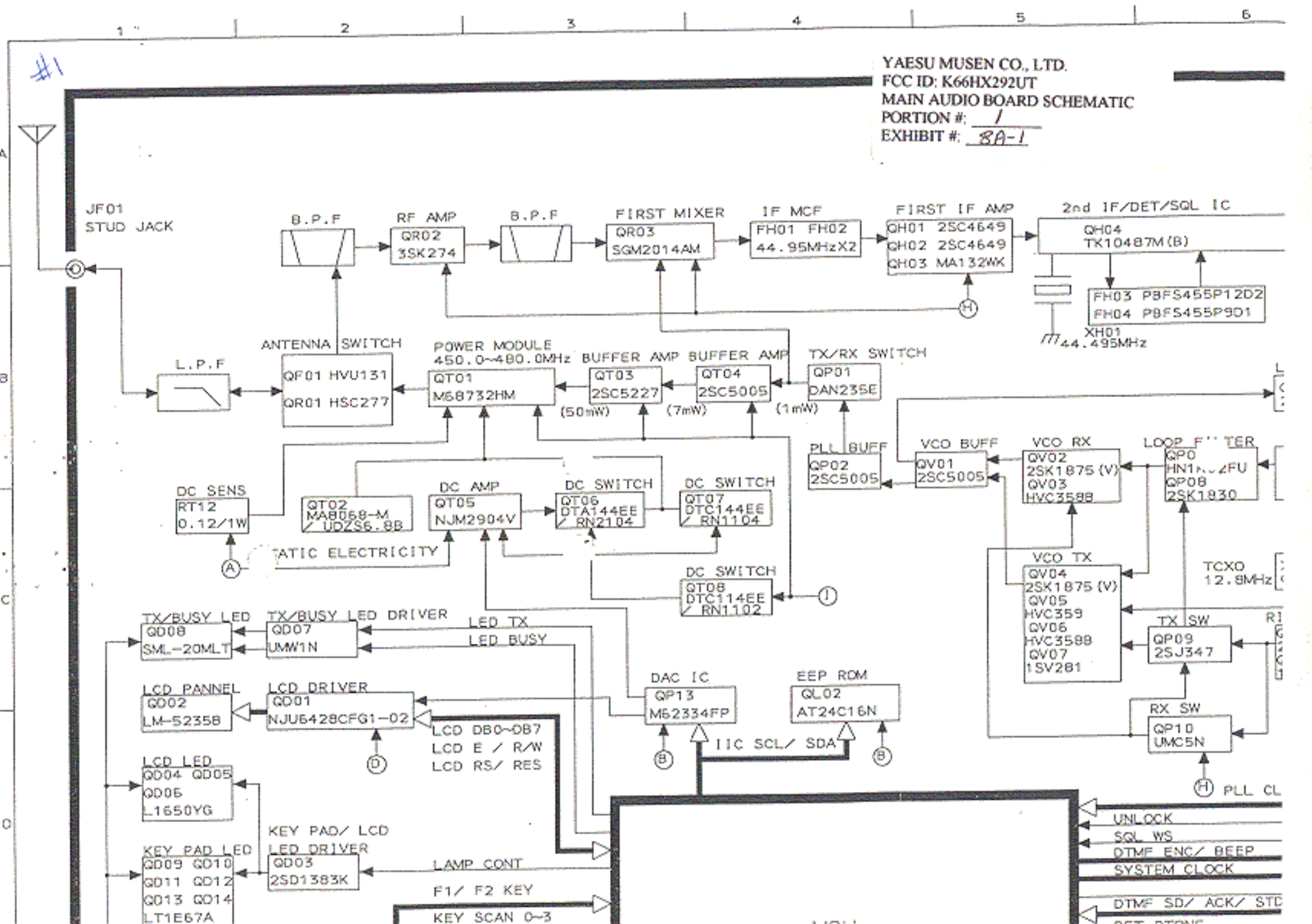
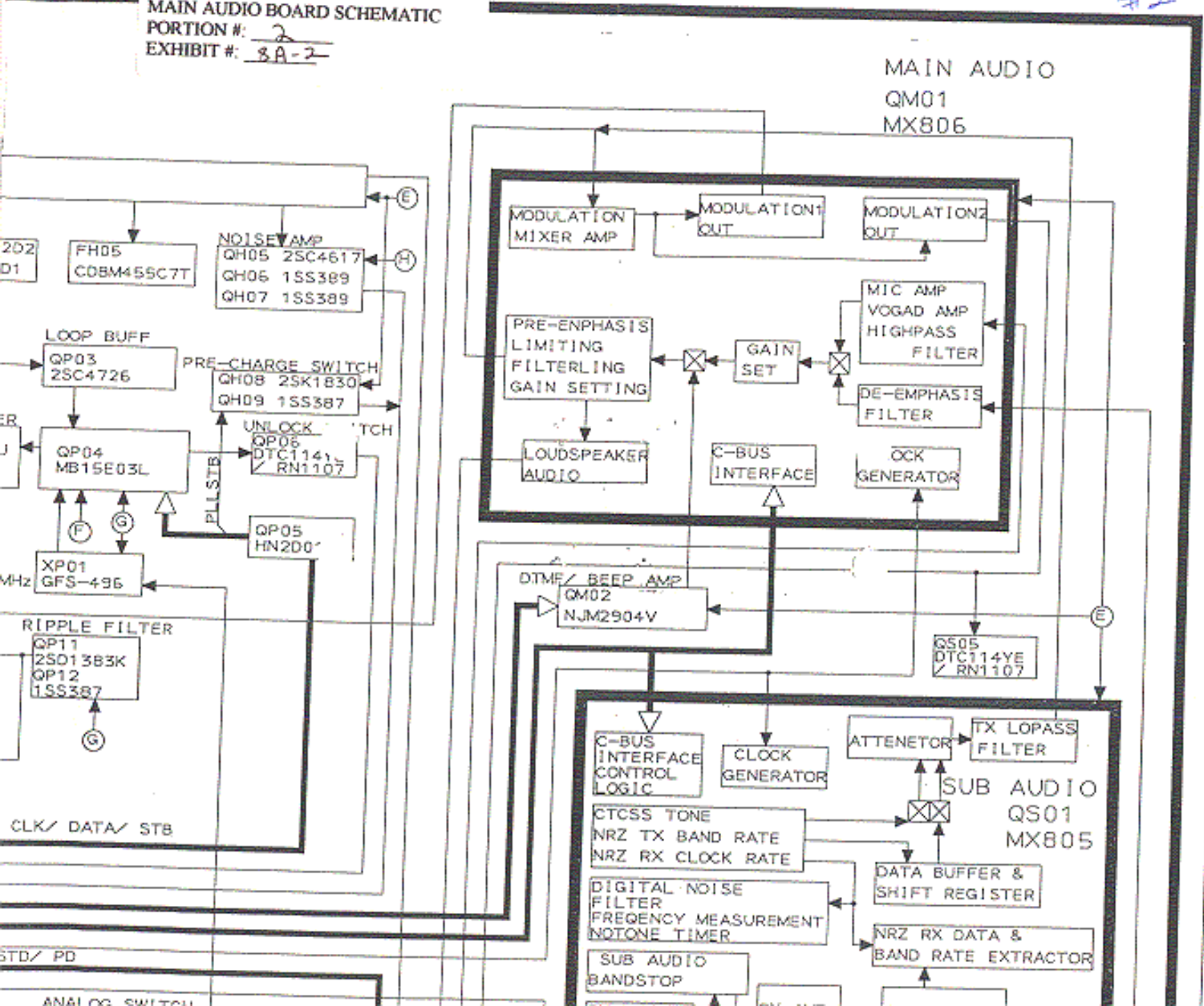


YAESU MUSEN CO., LTD.
 FCC ID: K66HX292UT
 MAIN AUDIO BOARD SCHEMATIC
 PORTION #: 1
 EXHIBIT #: 8A-1

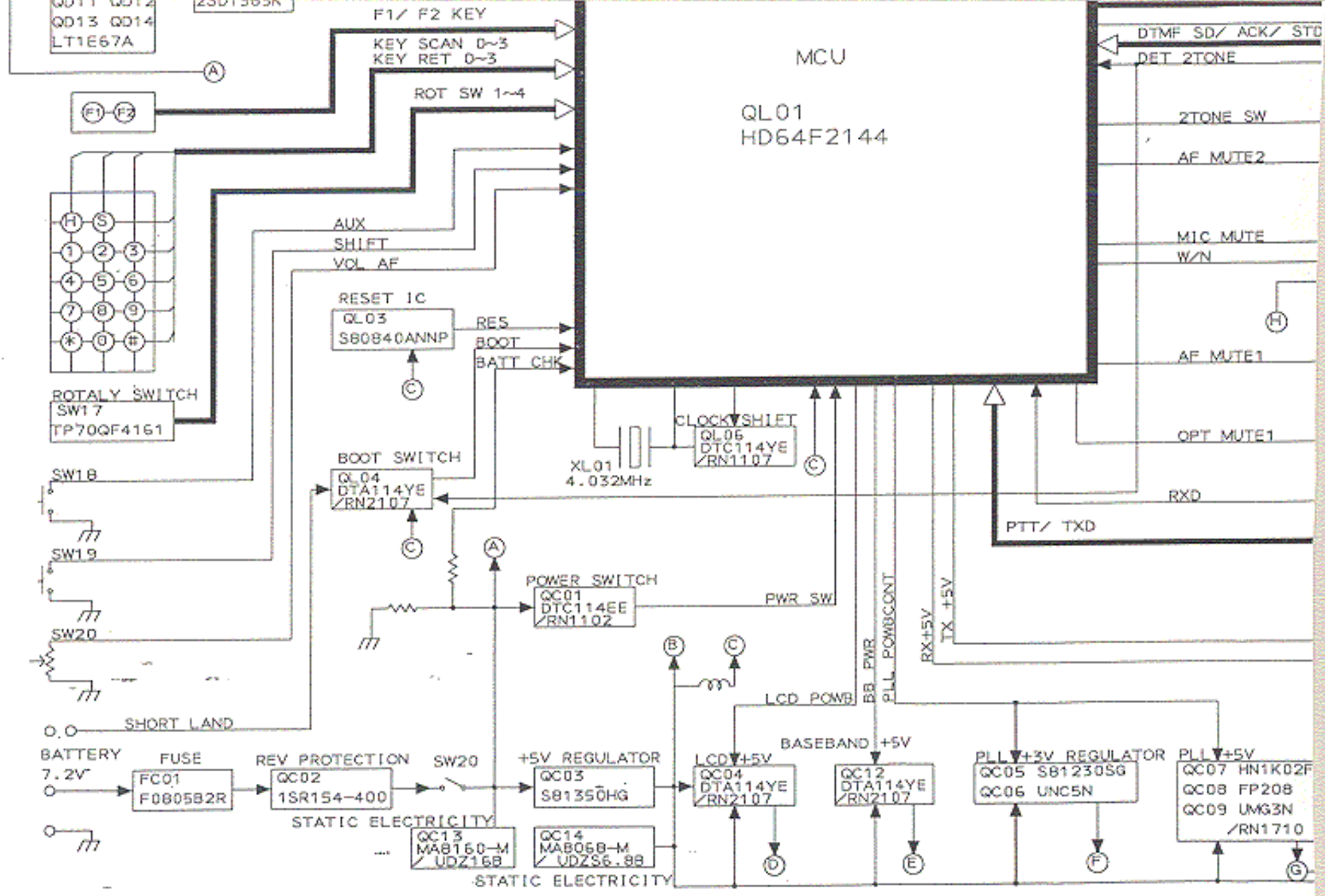


YAESU MUSEN CO., LTD.
FCC ID: K66HX292UT
MAIN AUDIO BOARD SCHEMATIC
PORTION #: 2
EXHIBIT #: 8A-2

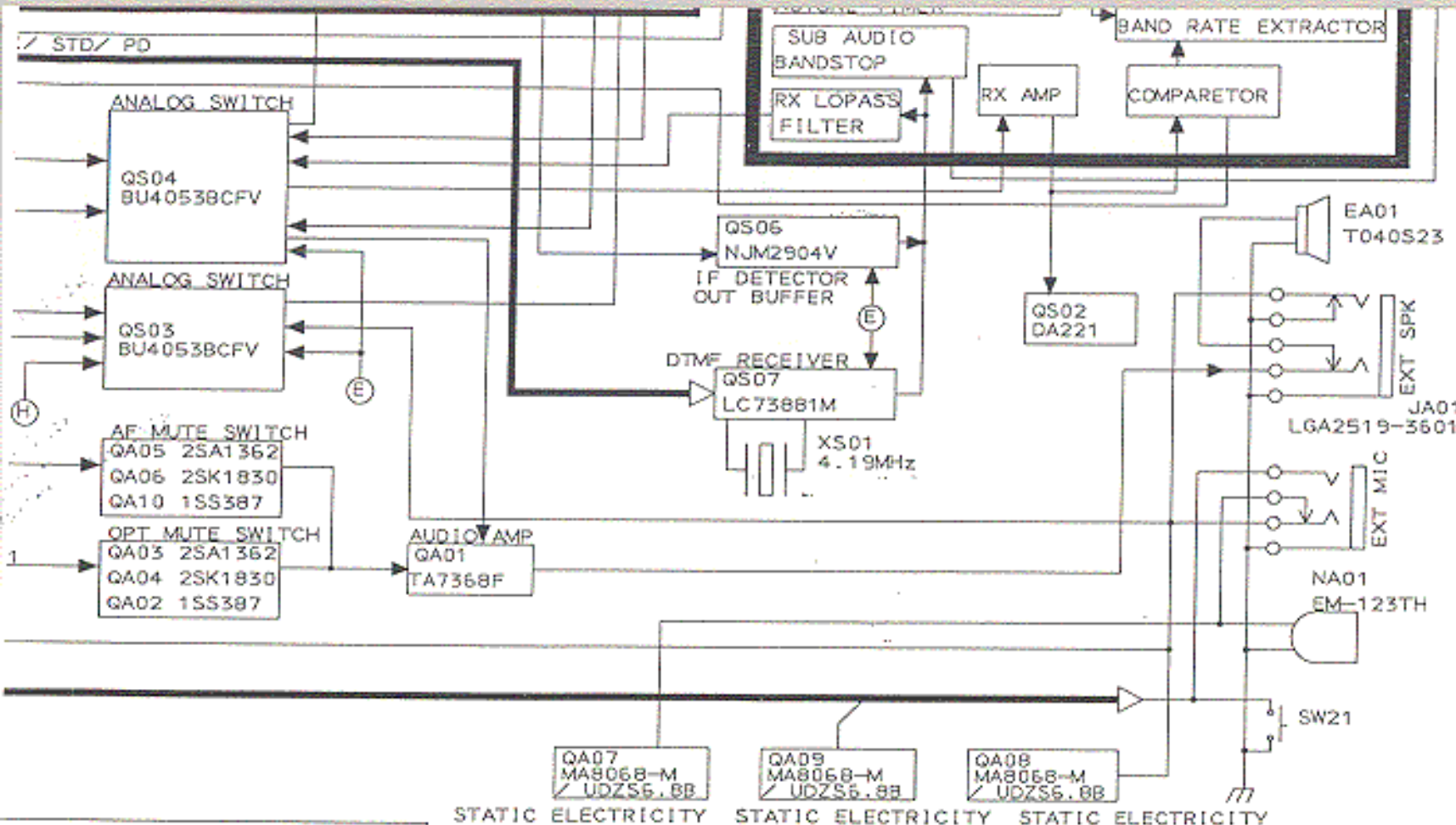
#2



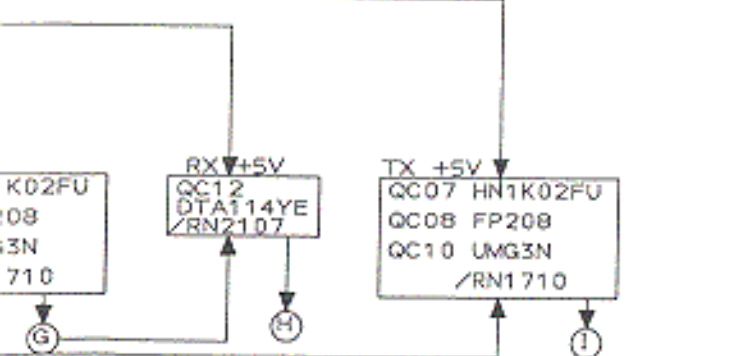
#3



YAESU MUSEN CO., LTD.
 FCC ID: K66HX292UT
 MAIN AUDIO BOARD SCHEMATIC
 PORTION #: 3
 EXHIBIT #: 8A-3



#4



STATIC ELECTRICITY STATIC ELECTRICITY STATIC ELECTRICITY

YAESU MUSEN CO., LTD.
FCC ID: K66HX292UT
EXHIBIT #: SA

ORDER: 430B

DRAWN BY	
H. OHTA	
DESIGNED BY	
T. SATO	<i>K. Asahina</i>
APPROVED BY	
	<i>M. Ohtani</i>

SCHEMATIC DIAGRAM OF HX292UT

DATE: '99-3-8 430B49301 0 1/1

YAESU MUSEN CO., LTD.
FCC ID: K66HX292UT
MAIN AUDIO BOARD SCHEMATIC
PORTION #: #4
EXHIBIT #: SA-4

PAN INC