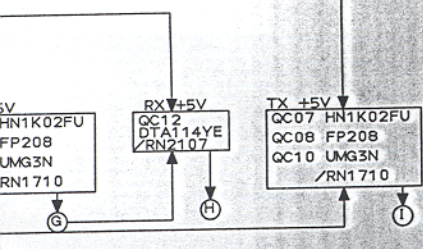
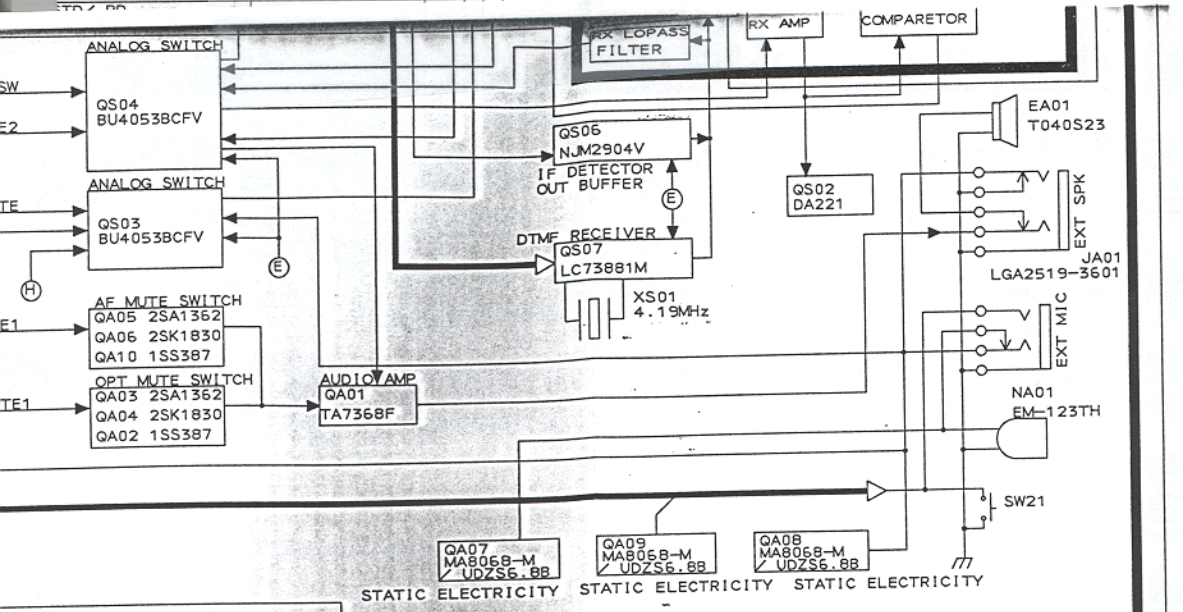
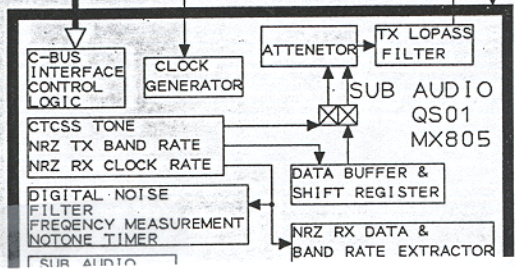
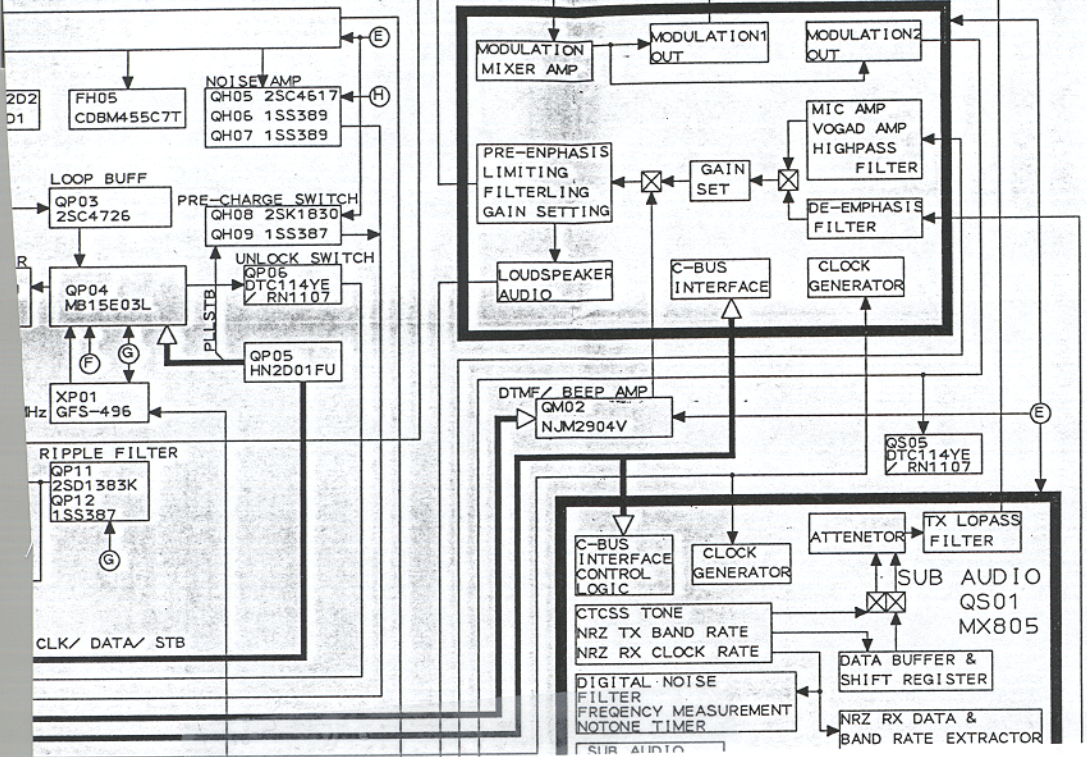


MAIN AUDIO QM01 MX806



ORDER: 430B

DRAWN BY		SCHEMATIC DIAGRAM OF HX	
H.OHTA		DATE:	430B49
DESIGNED BY		'99-3-8	
T.SATO	<i>N. Asahina</i>		
APPROVED BY			
	<i>M. Ohtani</i>		

MARANTZ JAP

