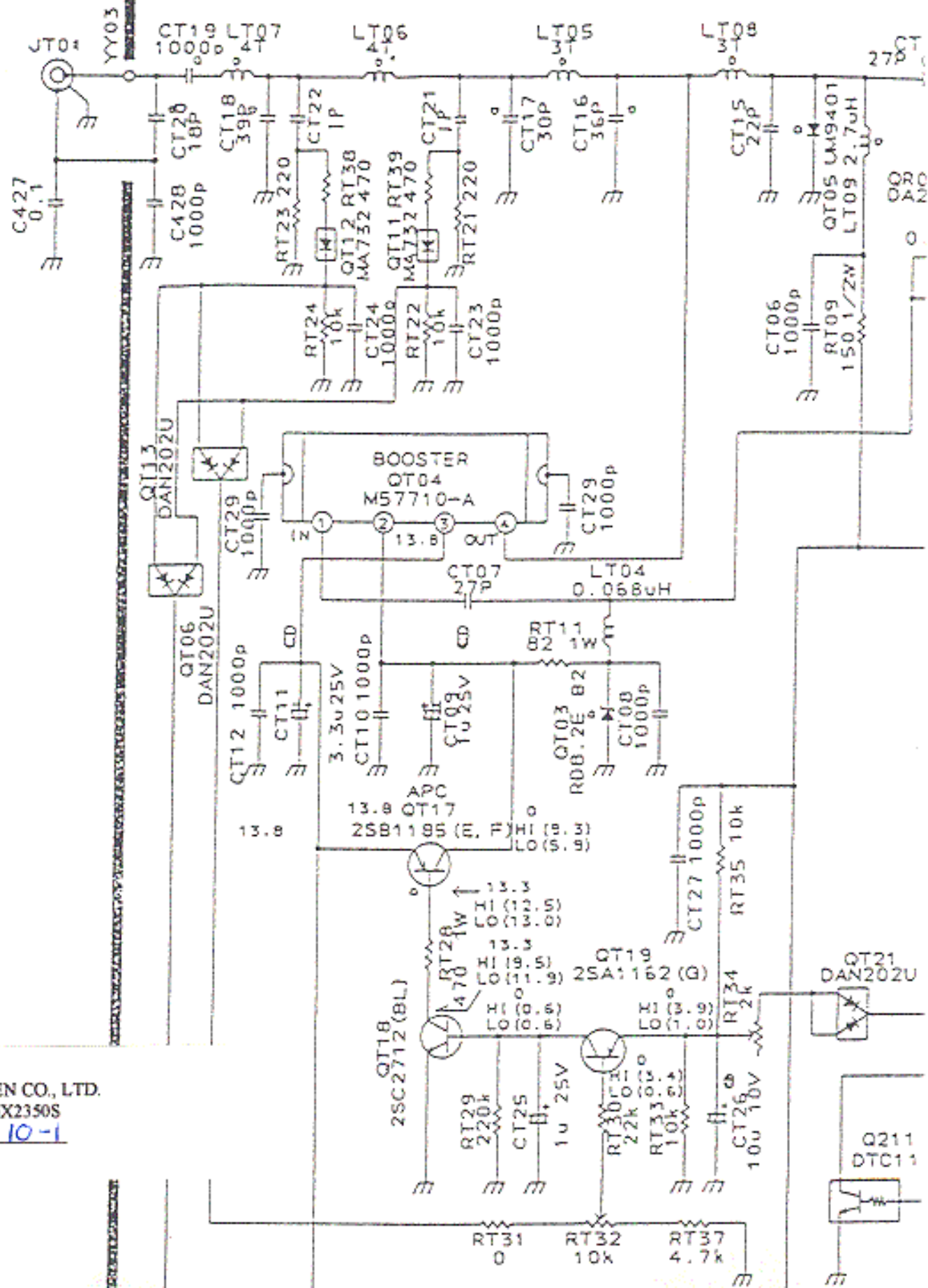


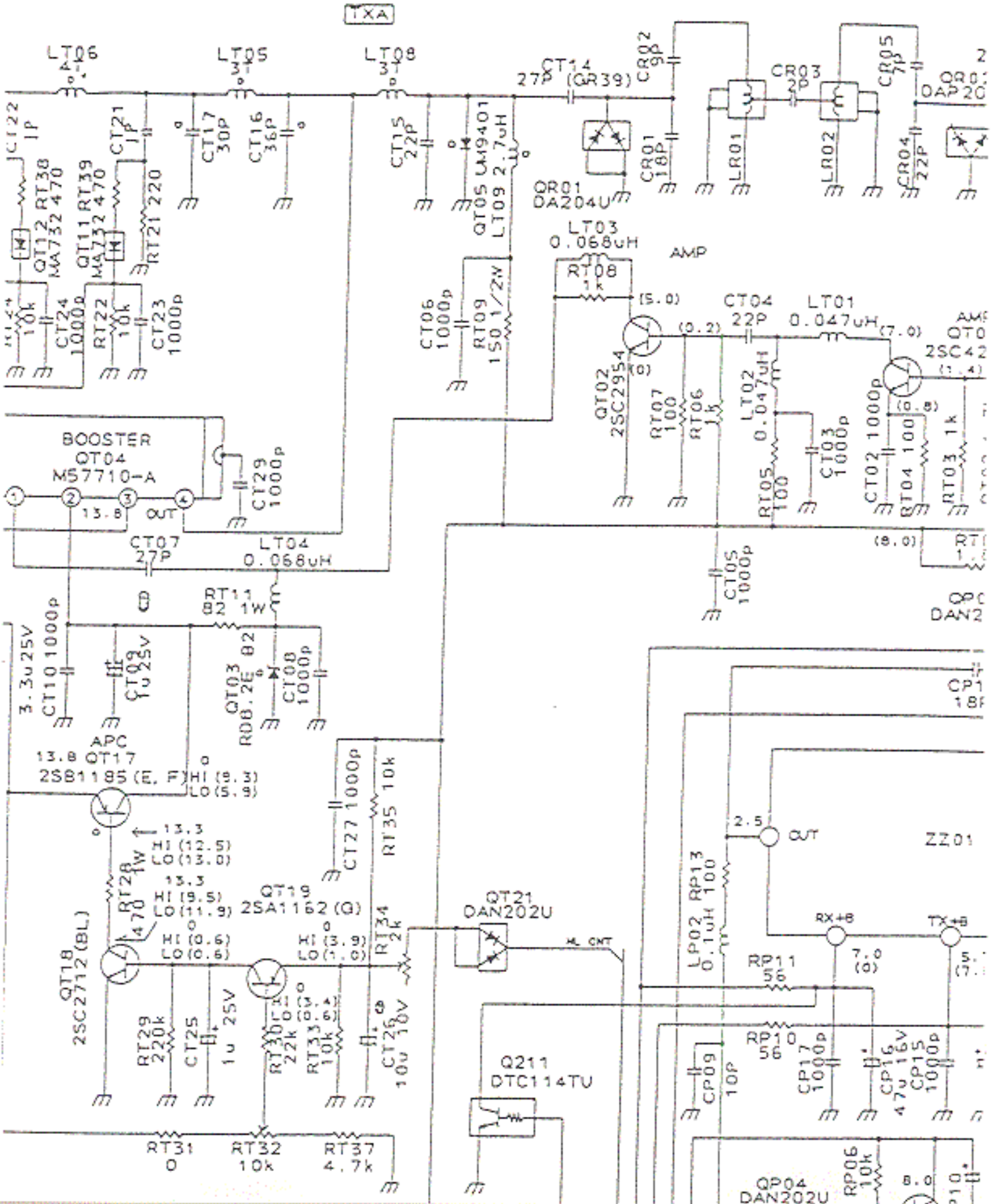
P101 MAIN PCB

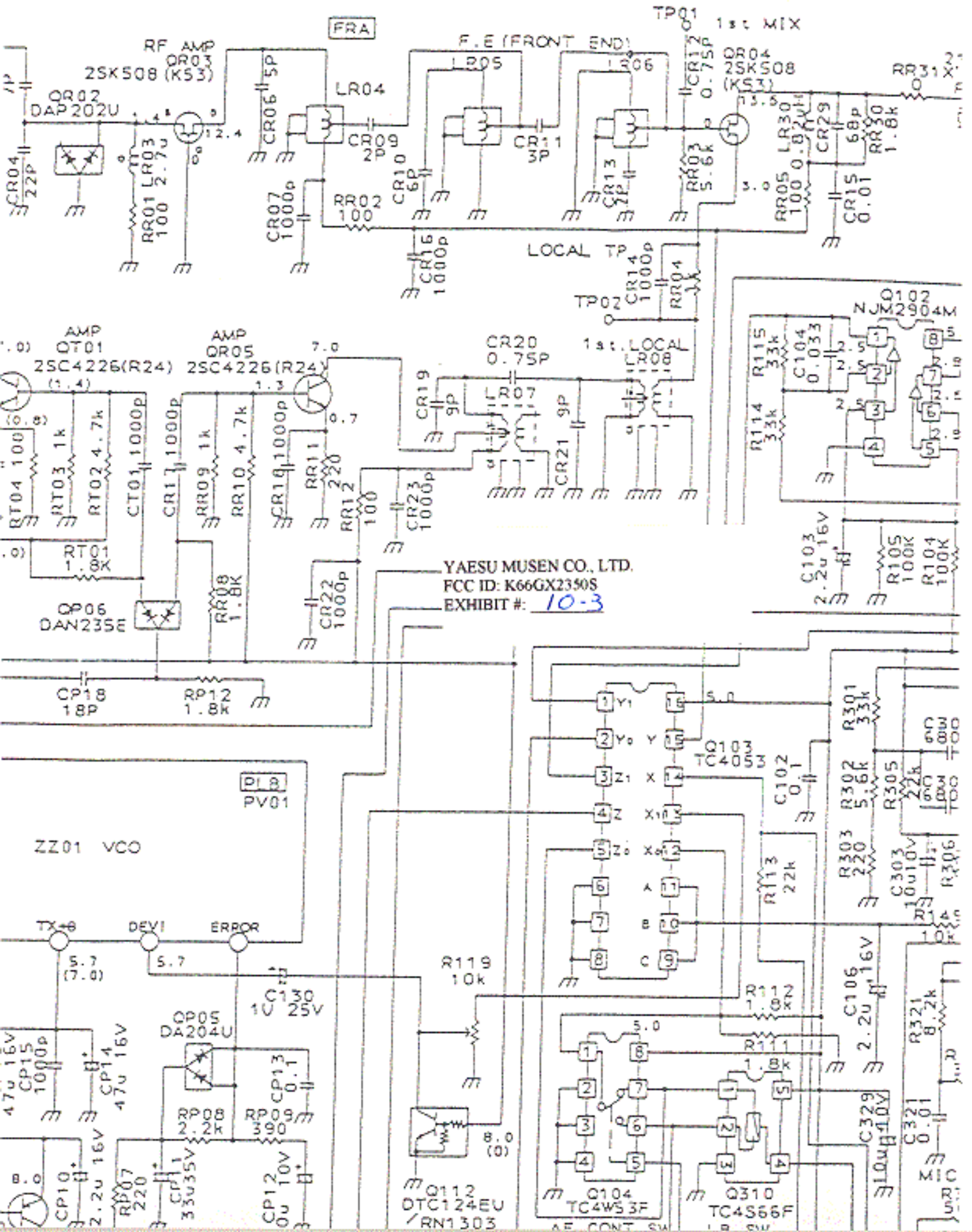
YXA



YAESU MUSEN CO., LTD.
 FCC ID: K66GX2350S
 EXHIBIT #: 10-1

1 MAIN PCB



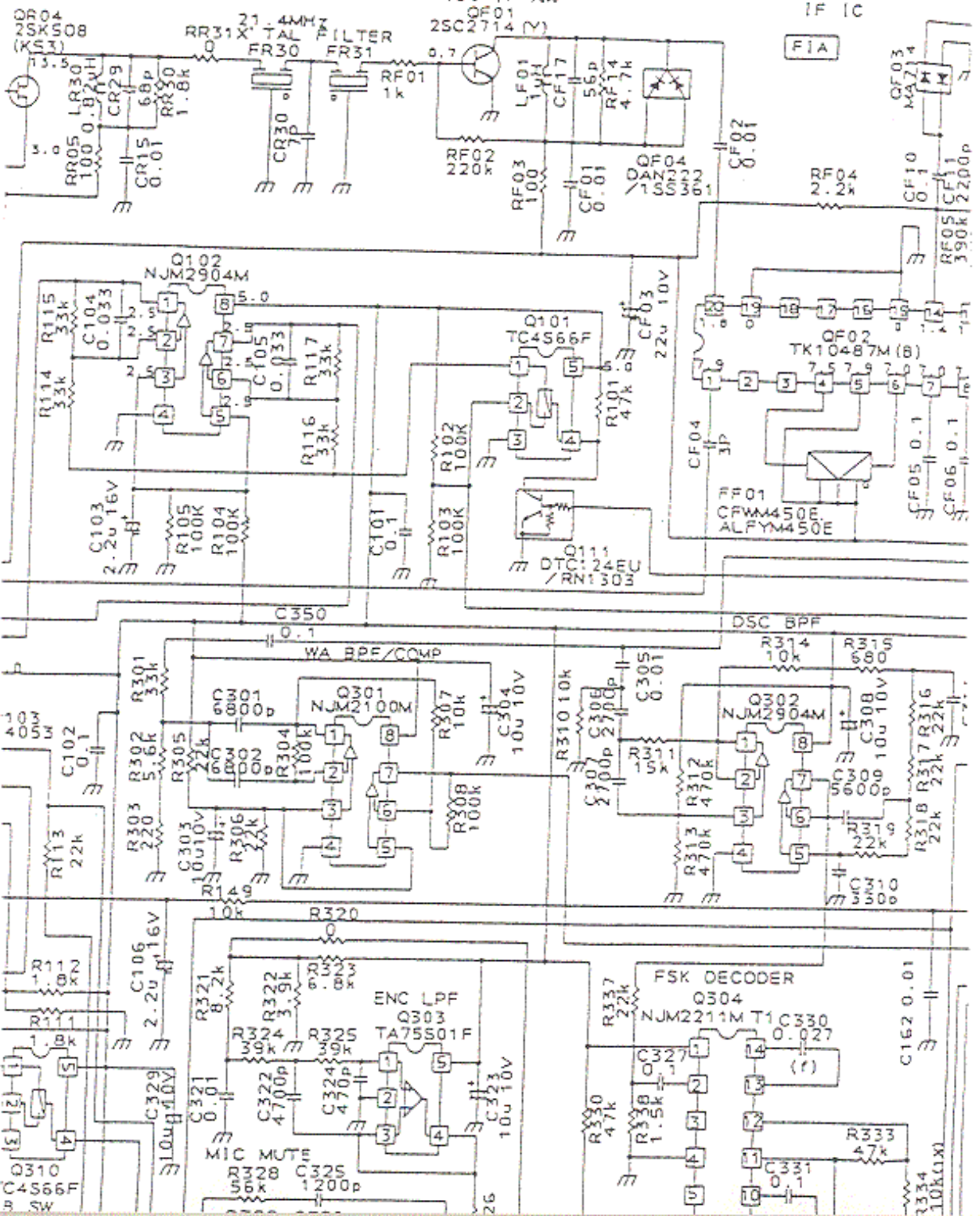


YAESU MUSEN CO., LTD.
 FCC ID: K66GX2350S
 EXHIBIT #: 10-3

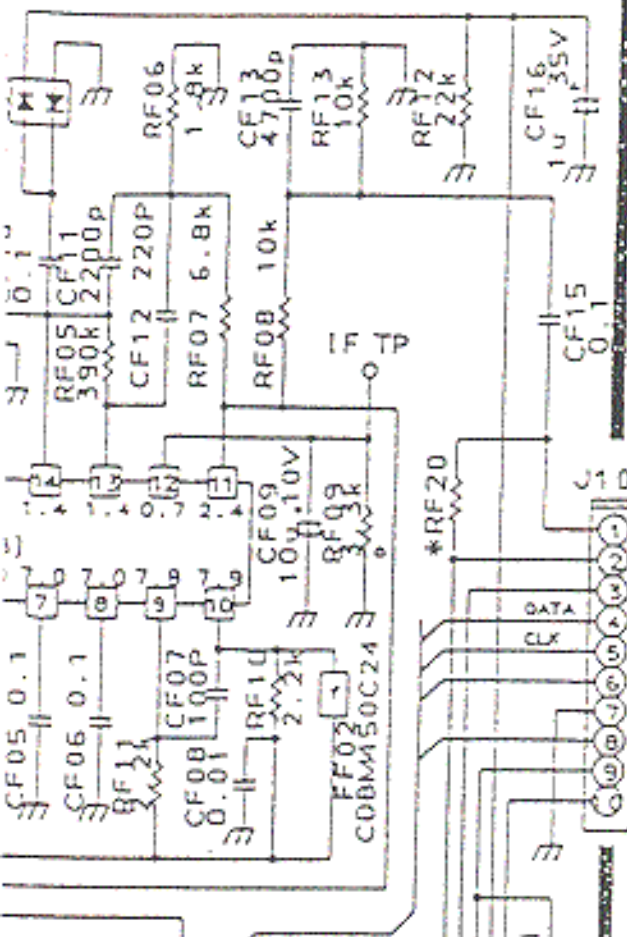
1st MIX

1st IF AMP

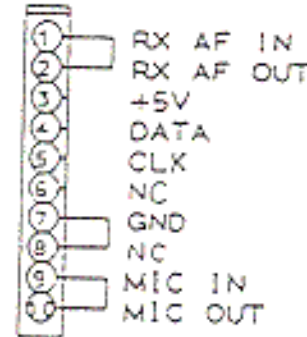
IF IC



YAESU MUSEN CO., LTD.
 FCC ID: K66GX2350S
 EXHIBIT #: 10-5

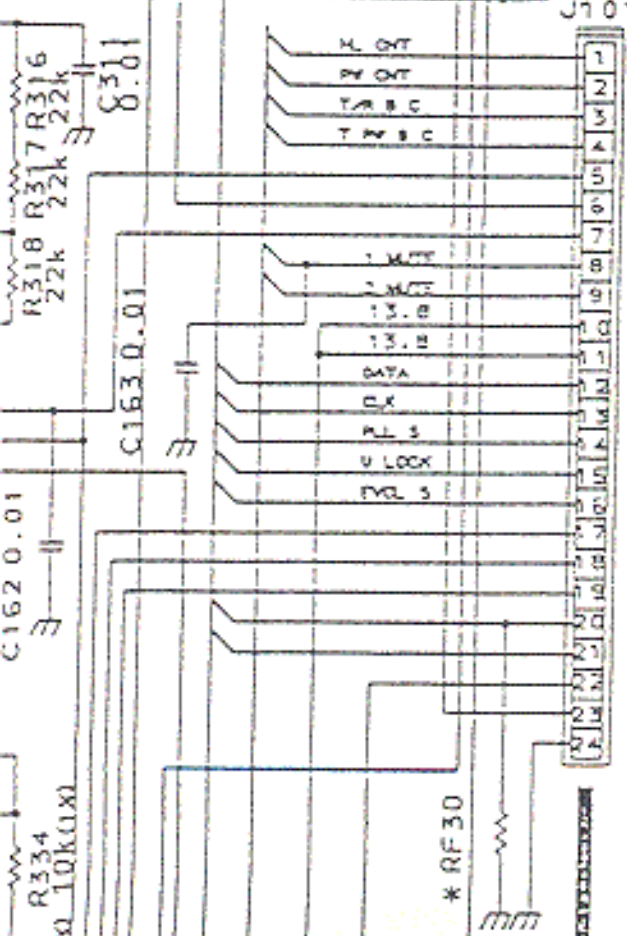
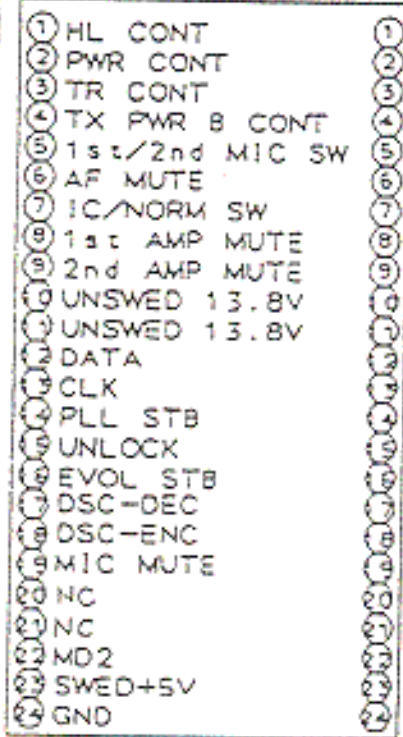


J104 W101



WL01 24 PIN FFC
 to JL04

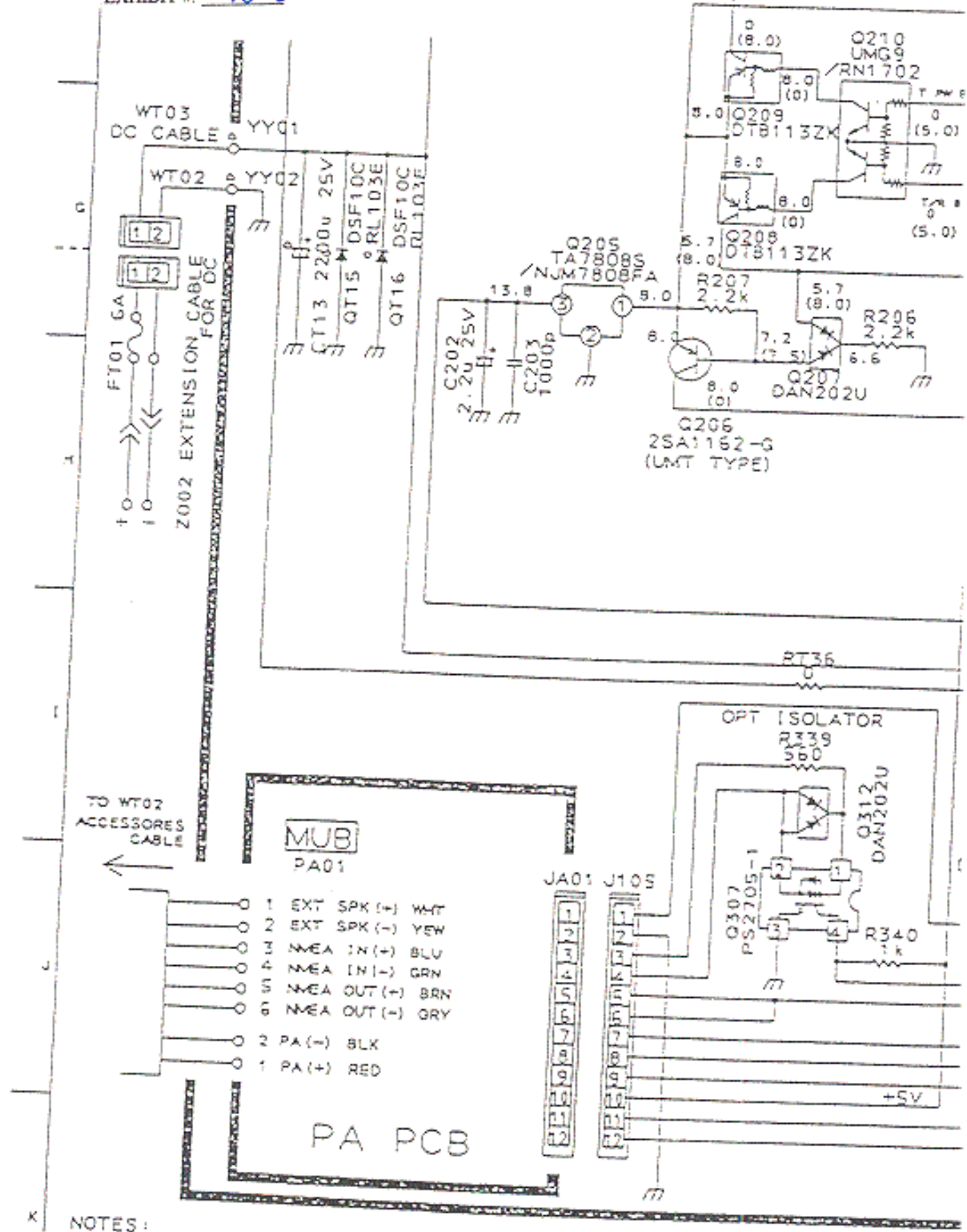
J101 FFC CONNECTOR 24PIN



*RF30

A
B
C
D
E
F

F YAESU MUSEN CO., LTD.
 FCC ID: K66GX2350S
 EXHIBIT #: 10-6

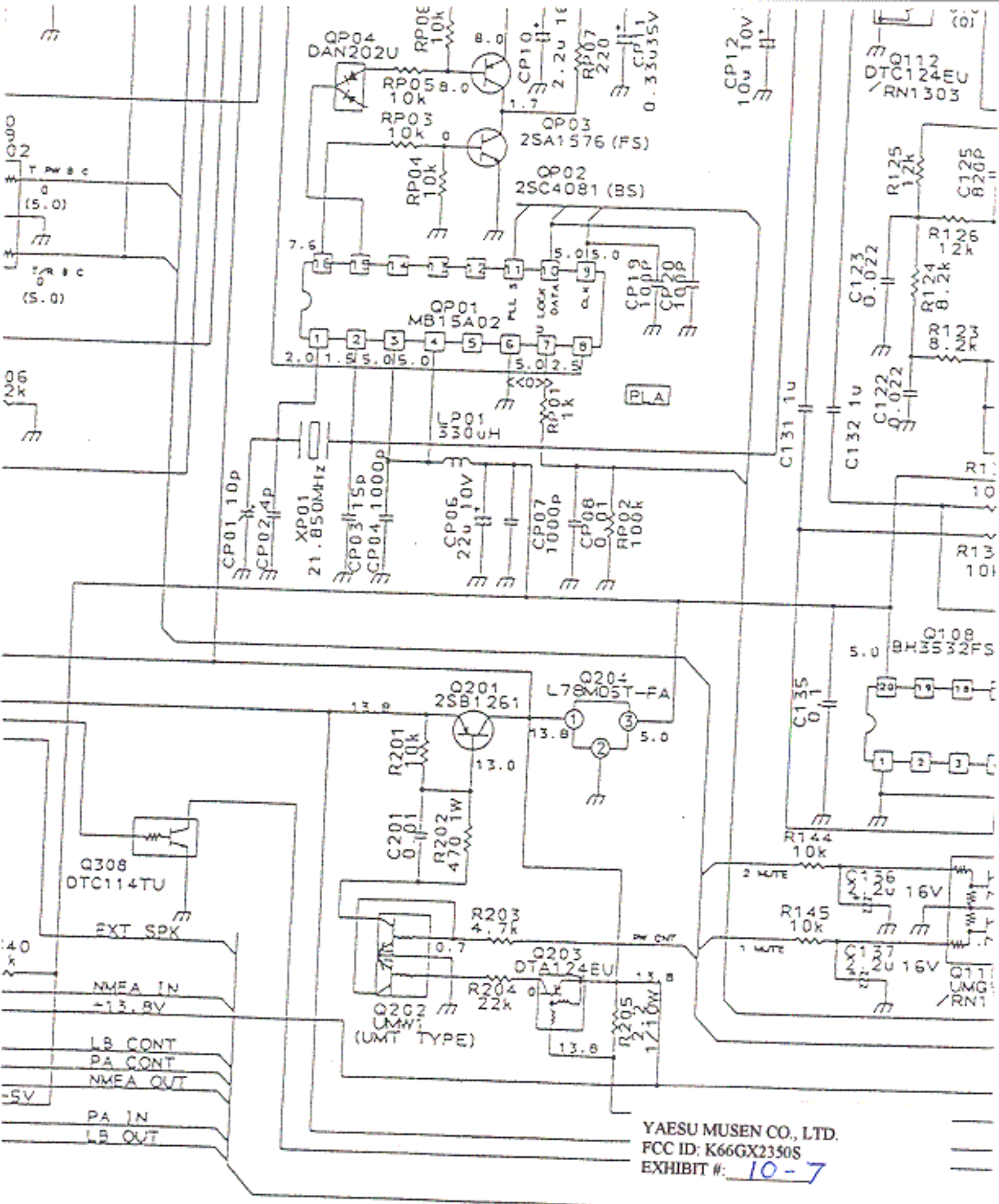


NOTES:

1. REFER TO PARTS LIST FOR COMPONENT VALUES.

2. UNLESS OTHERWISE NOTED RESISTOR VALUES ARE IN OHMS.

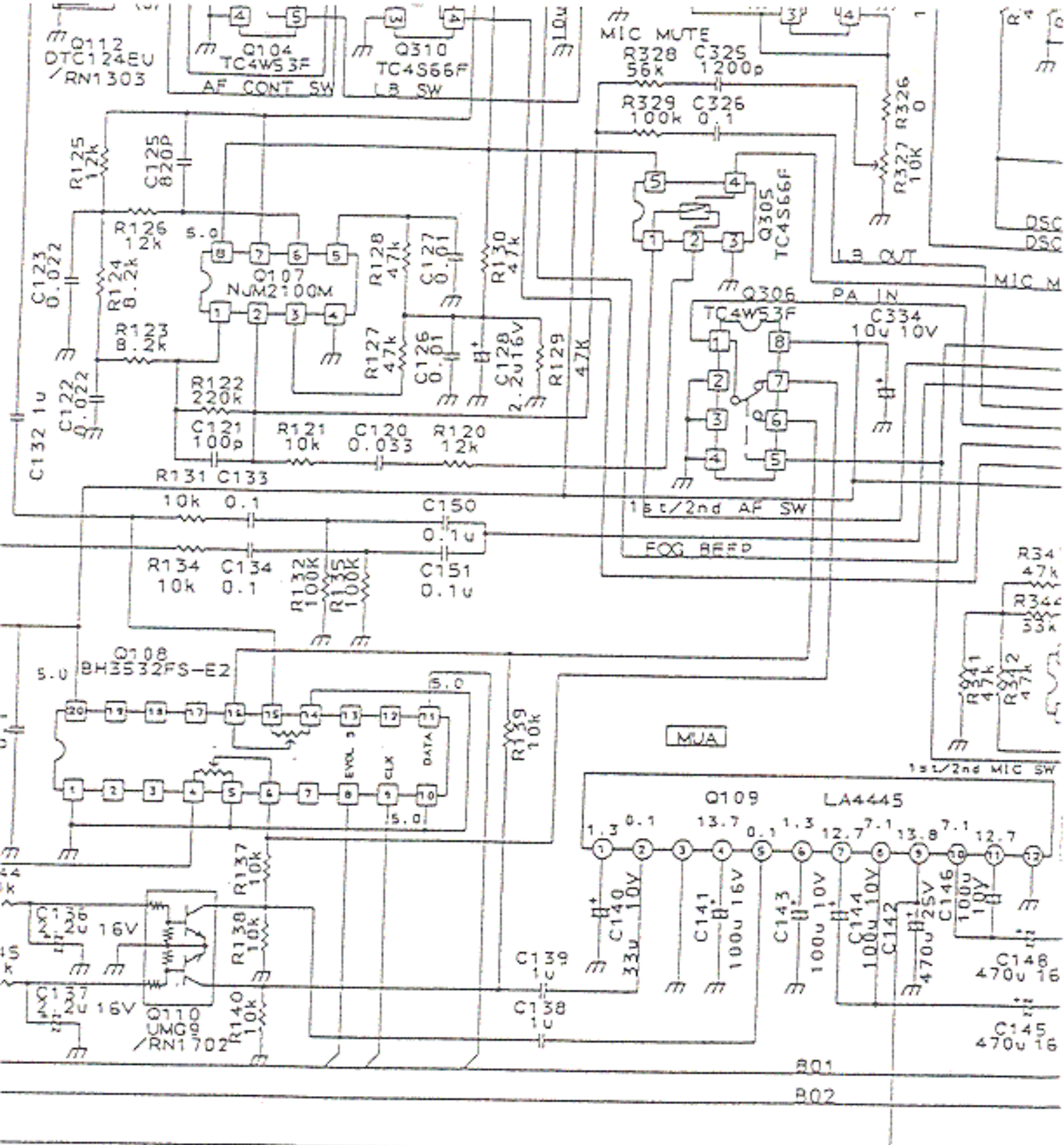
3. VOLTAGE NO MARK



YAESU MUSEN CO., LTD.
 FCC ID: K66GX2350S
 EXHIBIT #: 10-7

VOLTAGE NOTATIONS ARE AS FOLLOWS. (UNIT:V)
 MARKING - RX << >> - UNLOCK
) - TX

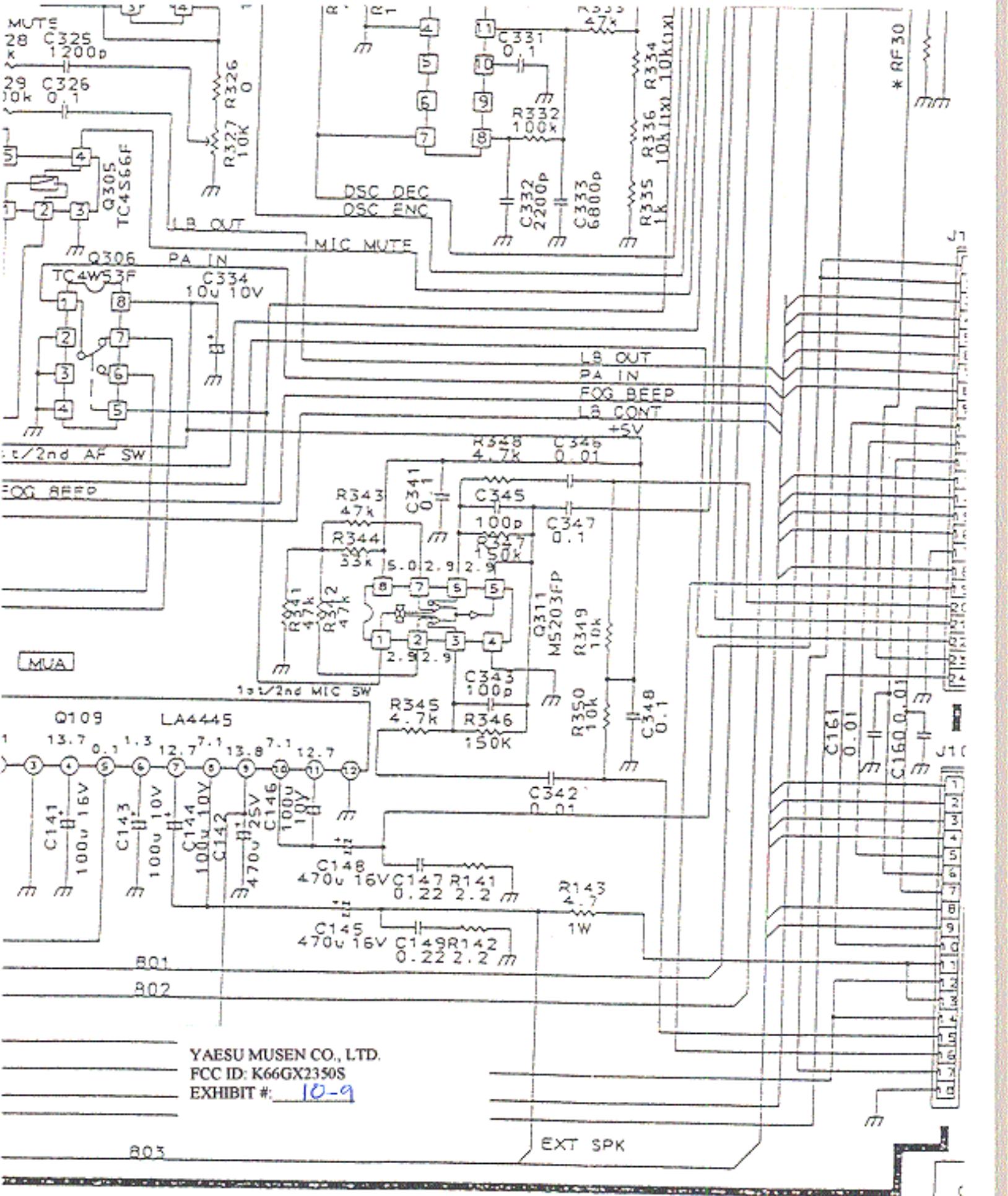
4. * PARTS IS NOT USE.
 (NO MOUNT PARTS)
 RF21, RF22, RF30



YAESU MUSEN CO., LTD.
 FCC ID: K66GX2350S
 EXHIBIT #: 10-8

B03

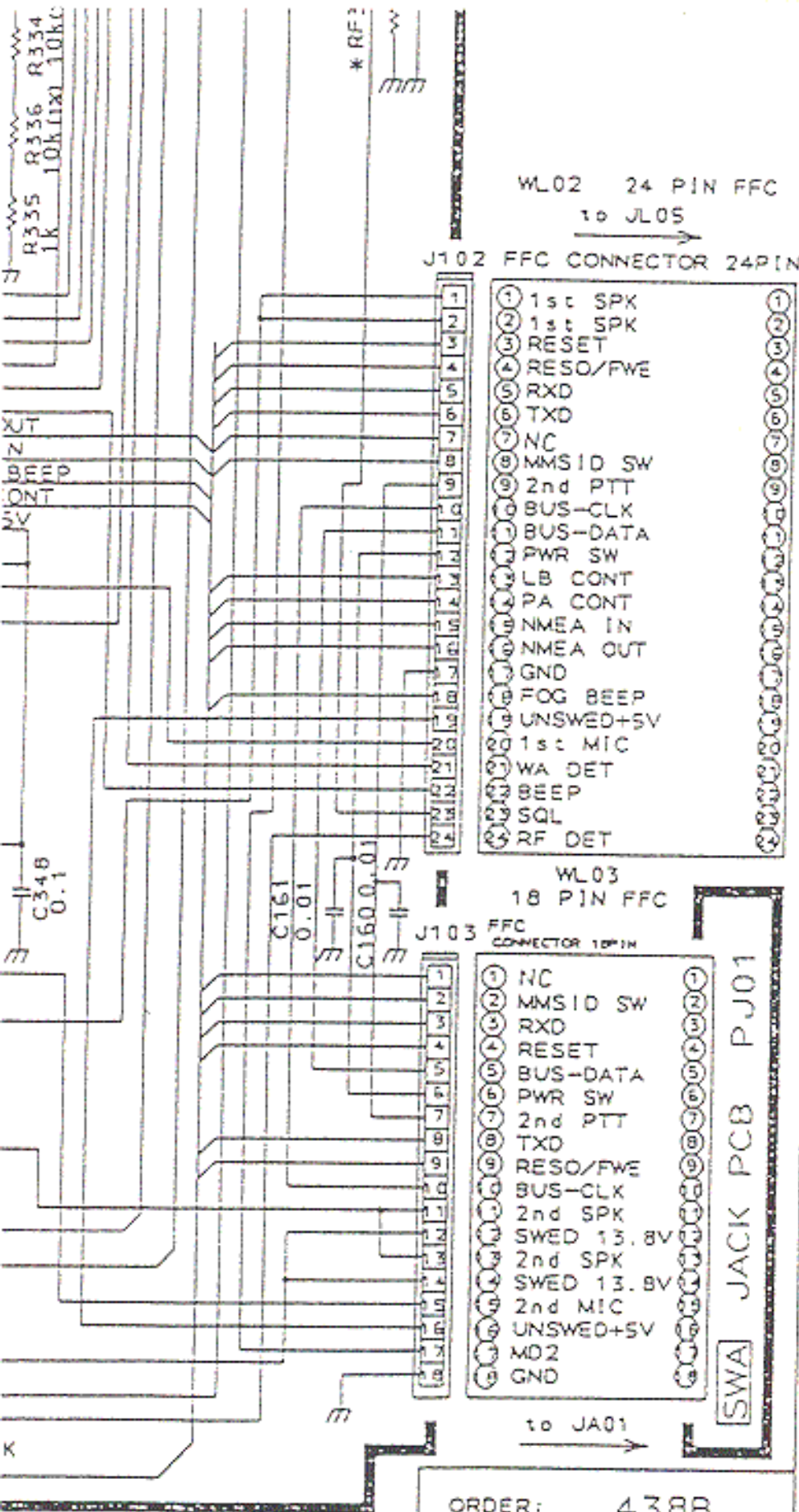
01	0.1
02	1000p
03	0.1
04	1000p
05	0.1
06	1000p
07	1000p
08	0.1
09	0.1
10	1000p
1	1000p
2	0.1
3	1000p
4	0.1
1	100k
5	0.1
6	1000p
7	0.1
8	1000p
9	1000p
0	0.1
1	1000p



YAESU MUSEN CO., LTD.
 FCC ID: K66GX2350S
 EXHIBIT #: 10-9

1	1000p
2	0.1
3	1000p
4	0.1
5	100k
6	0.1
7	1000p
8	0.1
9	1000p
10	0.1
11	1000p
12	0.1
13	1000p
14	0.1
15	0.1
16	1000p
17	0.1
18	1000p
19	1000p
20	0.1
21	1000p
22	0.1
23	1000p
24	1000p
25	0.1
26	1000p

DRAWN BY	K.ATSUTA	SC
DESIGNED BY		DA



ORDER: 4388

YAESU MUSEN CO., LTD.
 FCC ID: K66GX2350S
 EXHIBIT #: 10-10

DRAWN BY		K.ATSUTA		SCHEMATIC DIAGRAM OF GX2350S MAIN	
DESIGNED BY		S.KAWAKUBO		DATE: '99-5-14	
				4388493A0 0 1/3	