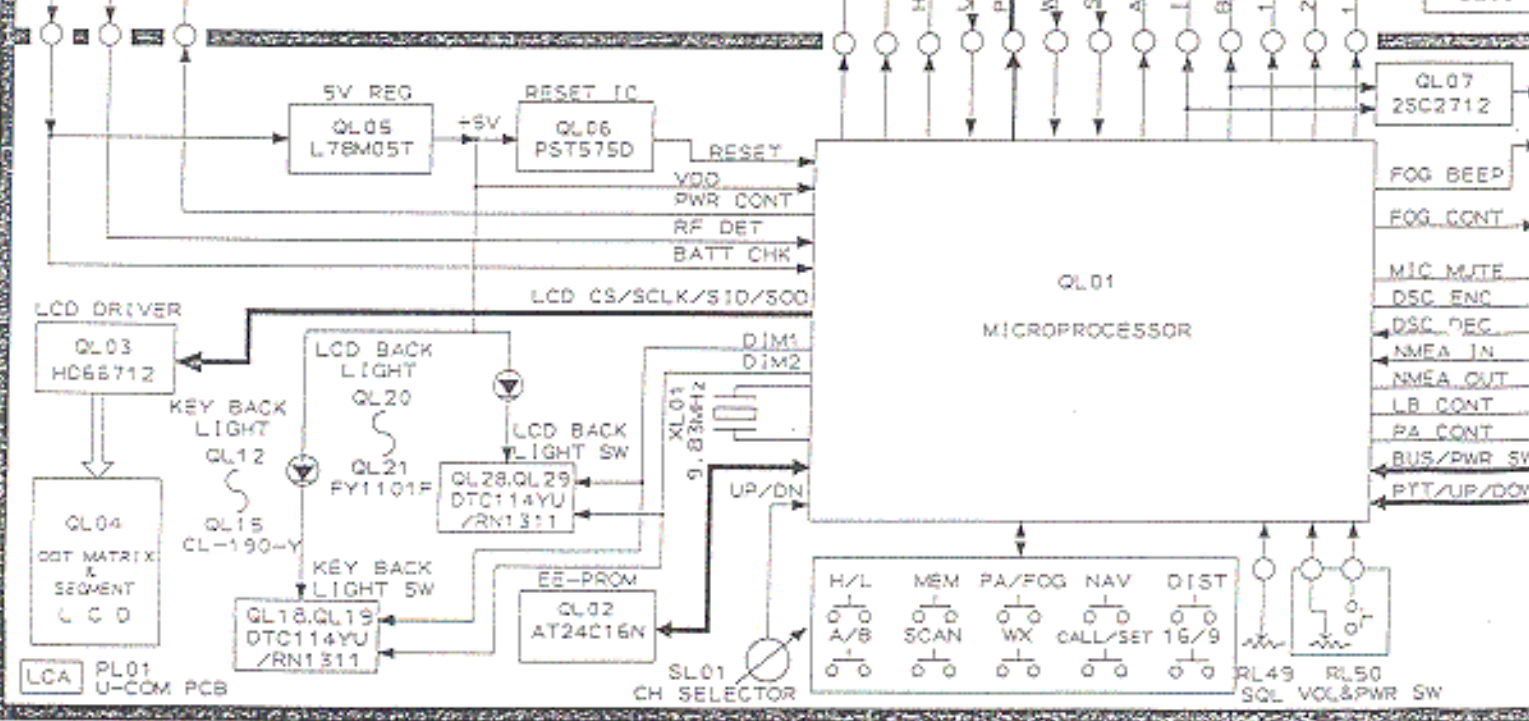
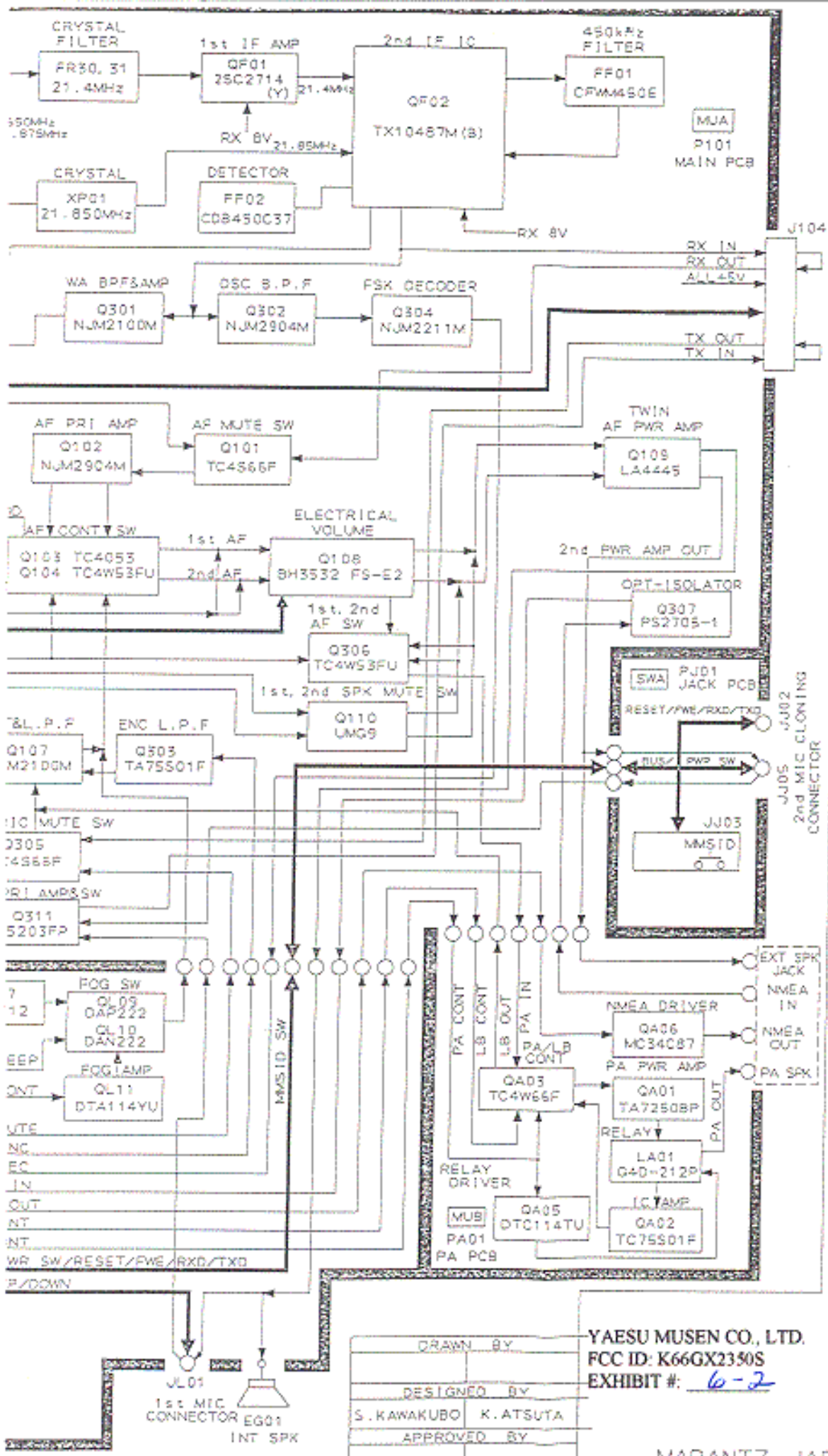


YAESU MUSEN CO., LTD.
 FCC ID: K66GX2350S
 EXHIBIT #: 6-1





J104
 RX IN
 RX OUT
 ALL 4.5V
 TX OUT
 TX IN
 J105
 JJ02
 2nd MIC CLONING CONNECTOR
 JJ03
 MMS1D

EXT SPK JACK
 NMEA IN
 NMEA OUT
 PA SPK

YAESU MUSEN CO., LTD.
 FCC ID: K66GX2350S
 EXHIBIT #: 6-2

DRAWN BY
 DESIGNED BY
 S. KAWAKUBO K. ATSUTA
 APPROVED BY