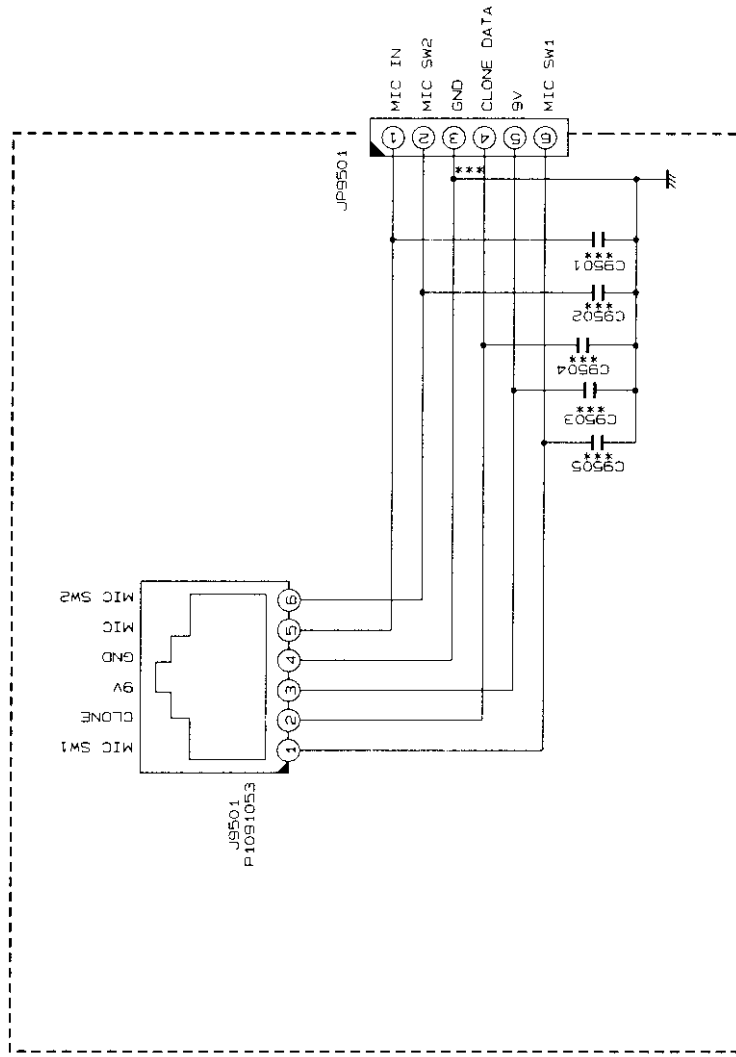


NOTE: RESISTOR VALUES ARE IN Ω, 1/10W ; CAPACITOR VALUES ARE IN μF, 50V ; (T) CAPACITOR VALUES ARE TANTALUM ; INDUCTOR VALUES ARE IN H ; UNLESS OTHERWISE NOTED.

CIRCUIT DIAGRAM MODEL FT-2600
 DES. B-A13150000/DISPLAY-UNIT
 REF. BP004380C.cir/001.sht EDITION 000
 DATE 16 JUL. 1998 UPDATE



CIRCUIT DIAGRAM	MODEL FT-2500
DES. B-A13150000/MIC-UNIT	
REF. BP004400C.cir/001.sht EDITION	
DATE 01 OCT..1998	UPDATE 17 DEC..1998
YAESU MUSEN CO.,LTD	

Address	Device name	Description	Application
[MAIN]			
Q 1001	IC	NJM2902V	AF AMP
Q 1002	IC	NJM2902V	Emphasis/IDC/LPF/MIX
Q 1003	IC	NJM2902V	DCS Decoder/AMP
Q 1004	IC	TDA2003H	AF AMP
Q 1005	IC	MM1216ENRE	9V Regulator
Q 1006	Transistor	2SB1201STP	Voltage Suppl Control
Q 1007	Transistor	DTC323TK	AF Mute
Q 1008	Transistor	SGM2016AM	RF Amplifier
Q 1009	Transistor	DTB123EK	Rx 9V Switch
Q 1010	Transistor	2SB1132R	Tx 9V Switch
Q 1011	Transistor	IMH6	Tx/Rx Switch
Q 1012	IC	M67746-1	RF PWR-MODULE
Q 1013	IC	NJM78M05DLA	5V Regulator
Q 1014	IC	MX165CDW	CTCSS Encoder/Decoder
Q 1015	Transistor	2SB1143S	Tx Po Control
Q 1016	Transistor	2SC4154E	Tx Po Control
Q 1017	Transistor	IMH6	Buff
Q 1018	Transistor	2SK302GR	Rx MIX
Q 1019	Transistor	2SK302GR	Rx MIX
Q 1020	Not Used		
Q 1021	Transistor	IMH6	AF Wide/Narrow Switch
Q 1022	Transistor	2SC4215Y	IF Buff AMP
Q 1023	Transistor	2SC5415E	Tx Driver AMP
Q 1024	IC	TA31136FN	IF Subsystem
Q 1025	Transistor	2SC5415E	Tx Driver AMP
Q 1026	Transistor	2SA1602A	AF Buff AMP
Q 1027	Not Used		
Q 1028	IC	AN8005M	5V Regulator
Q 1029	Not Used		
Q 1030	IC	M51951AML	CPU Reset
Q 1031	Transistor	RT1N241M	DCS Wide/Narrow Switch
Q 1032	Transistor	2SC5107-O	Buff AMP
Q 1033	Transistor	IMH6	Rx Wide/Narrow Switch
Q 1034	Transistor	2SC4154E	Buff
Q 1035	Not Used		
Q 1036	Transistor	2SC4154E	Buff
Q 1037	Transistor	2SC5107-O	Buff AMP
Q 1038	Not Used		
Q 1039	Transistor	2SC5107-O	voltage Control Oscillator
Q 1040	Transistor	2SC5107-O	voltage Control Oscillator
Q 1041	Not Used		
Q 1042	Not Used		
Q 1043	Not Used		
Q 1044	IC	MC145191F	PLL Subsystem
Q 1045	Not Used		
Q 1046	Not Used		
Q 1047	Transistor	RT1N241M	AF Mute
Q 1048	Not Used		
Q 1049	IC	HD64F3337YTF16	Microprocessor
Q 1050	IC	M24HC64-WMN6T	Programmable Data Stor
Q 1051	IC	NJM2904V	BPF Tune Buff/APC COMP
Q 1052	Transistor	2SJ327-Z	Power Supply Switch
Q 1053	Transistor	RT1N241M	Analog Switch
Q 1054	Transistor	DTB1132K	Analog Switch
Q 1055	Transistor	DTC323TK	MIC Mute Switch
Q 1056	IC	LC7385M	DTMF Decoder
Q 1057	Transistor	IMH6	Analog Switch
Q 1058	Transistor	RT1N241M	External SQL Switch
Q 1059	Transistor	RT1N241M	Analog Switch
Q 1060	Transistor	2SA1602A	Analog Switch
Q 1061	Transistor	2SC4154E	Buff
Q 1062	Transistor	DTC114EU	Analog Switch
D 1001	Diode	RLS135	Antenna Switch
D 1002	Diode	BAS316	Limiting Diode
D 1003	Diode	P6KA18	Reverse Voltage Protecion
D 1004	Diode	BAS316	AF Mute
D 1005	Diode	UM9415	Antenna Switch
D 1006	Diode	UM9957F	Antenna Switch
D 1007	Varactor Diode	1SV214	BPF Tune
D 1008	Varactor Diode	1SV214	BPF Tune
D 1009	Varactor Diode	1SV214	BPF Tune
D 1010	Varactor Diode	1SV214	BPF Tune
D 1011	Diode	1SS321	Power Detect
D 1012	Varactor Diode	1SV214	BPF Tune
D 1013	Varactor Diode	1SV214	BPF Tune
D 1014	Varactor Diode	1SV214	BPF Tune
D 1015	Varactor Diode	1SV214	BPF Tune
D 1016	Diode	BAS316	CTCSS Detector
D 1017	Diode	BAS316	APC
D 1018	Not Used		
D 1019	Diode	MC2850	DCS Decoder
D 1020	Not Used		
D 1021	Diode	02CZ5.6Y	5V Supply
D 1022	Diode	MC2848	2nd IF Filter Switch
D 1023	Diode	MC2848	2nd IF Filter Switch
D 1024	Not Used		
D 1025	Diode	D1F20	CPU Back Up
D 1026	Diode	1SS321	Tx/Rx RF Switch
D 1027	Not Used		

ID: K6FT-2600M
 LIST OF ACTIVE DEVICES

Address	Device name	Description	Application
D 1029	Not Used		
D 1030	Diode	MC2850	Noise Detector
D 1031	Diode	MC2850	Noise Detector
D 1032	Diode	02CZ5.6Y	5V Supply
D 1033	Diode	MA729	Reverse Voltage Protecion
D 1034	Varactor Diode	1SV270	VCO
D 1035	Varactor Diode	1SV270	VCO
D 1036	Diode	HSU277	Tx/Rx OSC Switch
D 1037	Varactor Diode	1SV270	VCO
D 1038	Varactor Diode	1SV270	VCO
D 1039	Diode	BAS316	Discharge
D 1040	Varactor Diode	1SV230	DCS MOD
D 1041	Varactor Diode	1SV230	Temp. Control for PLL REF
D 1042	Not Used		
D 1043	Diode	BAS316	Reverse Voltage Protecion
D 1044	Varactor Diode	1SV276	VCO Modulator
D 1045	Diode	MC2850	Temp. Control for PLL REF
D 1046	Not Used		
D 1047	Diode	MA729	Reverse Voltage Protecion
D 1048	Diode	MC2850	Limiting Diode
D 1049	Not Used		
D 1050	Diode	MC2850	Limiting Diode
D 1051	Diode	MC2850	Limiting Diode
[DISPLAY]			
Q 5001	IC	LC75823W	LCD Driver
D 5001	LED	HLMF-KL05	LED Indicator
D 5002	LED	HLMF-KL05	LED Indicator
D 5003	LED	SPR-325MVW	LED Indicator

