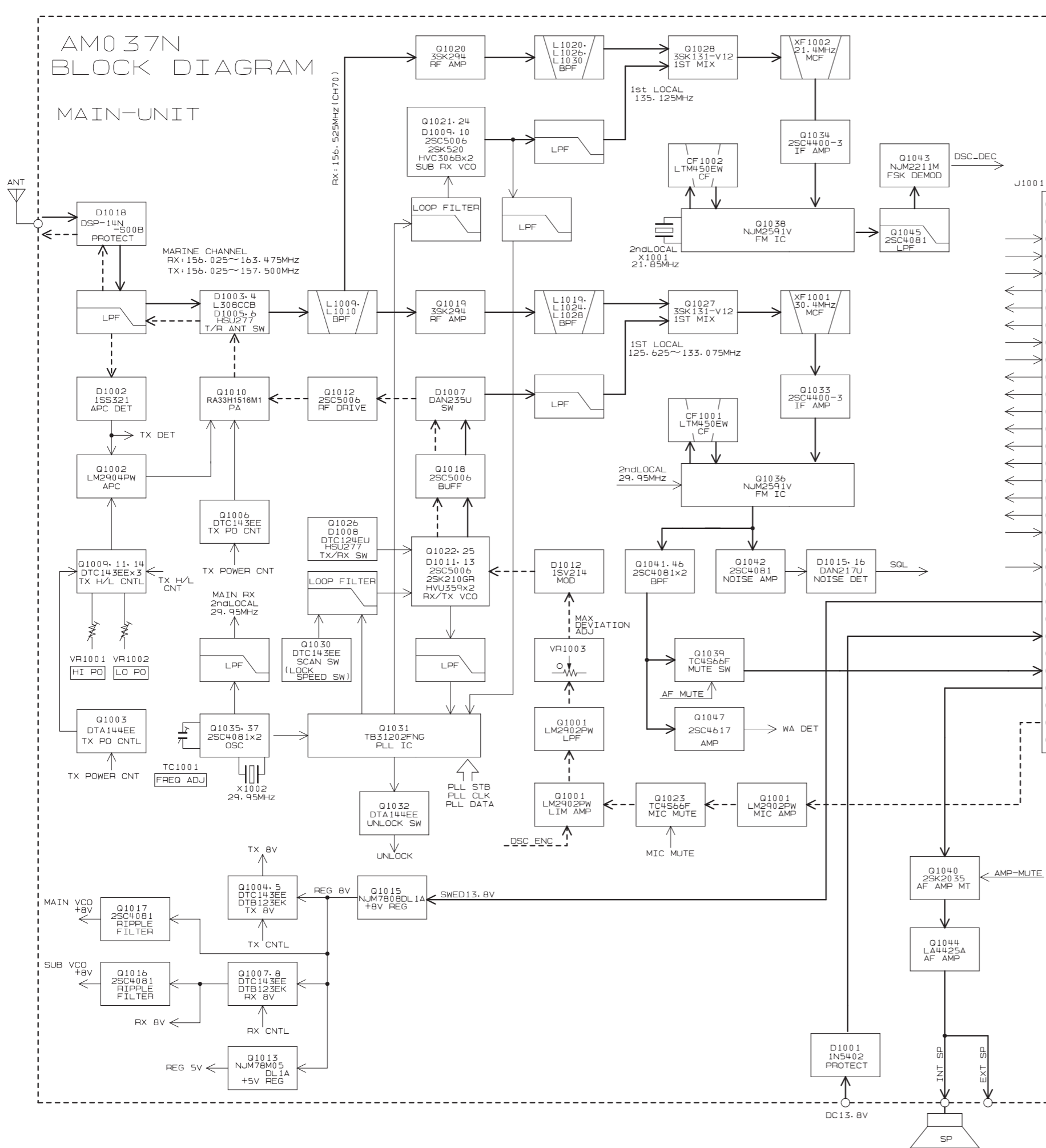
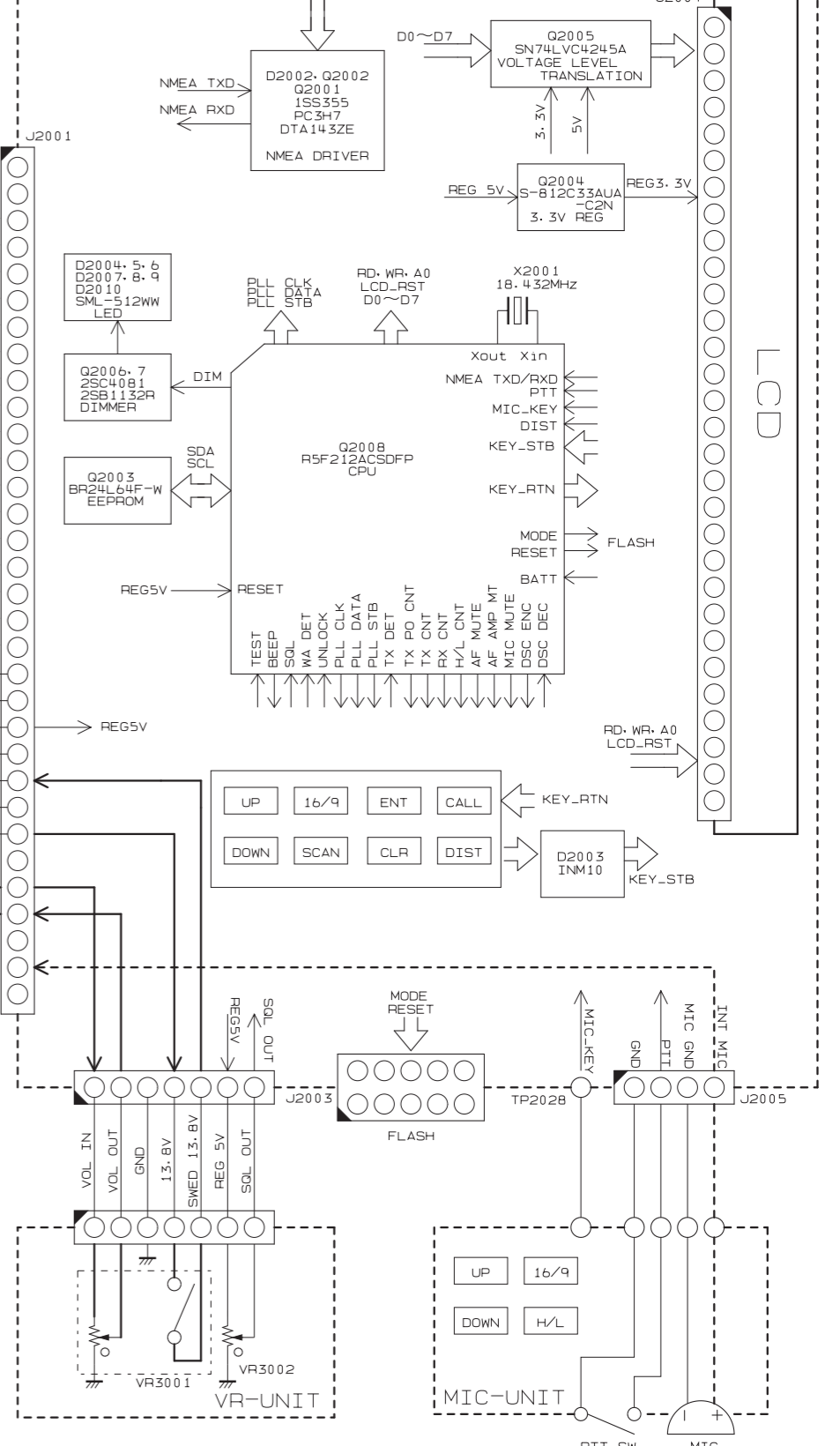


AM037N BLOCK DIAGRAM

MAIN-UNIT



CNTL-UNIT



CIRCUIT DIAGRAM	MODEL GX1150
DES. B-AM037N000/BLOCK-DIAGRAM	
REF. BP0246200.cir/001.sht	EDITION
DATE 14 MAY., 2008	UPDATE 24 SEP., 2008
VERTEX STANDARD CO., LTD.	

RX LINE →
TX LINE →