



## ECLIPSE DSC+ GX1100S

25 Watt VHF/FM

Class D DSC Marine Transceiver

---

### Owner's Manual

- Affordable Ultra Compact Fixed Mount VHF radio
- Submersible IPX7 Front Panel
- DSC (Digital Selective Calling) Class D with Position Report and Request
- Programmable Scan, Priority Scan, and Dual Watch
- Full dot matrix display capable of indicating GPS information\*
- Submersible microphone with dedicated 16/9, H/L keys and channel selection
- All USA / International and Canadian Marine Channels
- NOAA Weather Channels with Weather Alert

※ When Attached to GPS Receiver



# TABLE OF CONTENTS

<b>1</b>	<b>GENERAL INFORMATION</b> .....	<b>4</b>
<b>2</b>	<b>PACKING LIST</b> .....	<b>4</b>
<b>3</b>	<b>OPTIONS</b> .....	<b>4</b>
<b>4</b>	<b>SAFETY / WARNING INFORMATION</b> .....	<b>5</b>
<b>5</b>	<b>FCC RADIO LICENSE INFORMATION</b> .....	<b>6</b>
<b>6</b>	<b>FCC NOTICE</b> .....	<b>7</b>
<b>7</b>	<b>GETTING STARTED</b> .....	<b>8</b>
7.1	ABOUT VHF RADIO .....	8
7.2	SELECTING AN ANTENNA .....	9
7.3	COAXIAL CABLE .....	9
<b>8</b>	<b>INSTALLATION</b> .....	<b>10</b>
8.1	LOCATION .....	10
8.2	MOUNTING THE RADIO .....	10
	8.2.1 Supplied Universal Mounting Bracket .....	10
	8.2.2 Optional MMB-84 Flush Mount Bracket .....	11
8.3	ELECTRICAL CONNECTIONS .....	12
8.4	ACCESSORY CABLE .....	13
8.5	CHECKING GPS CONNECTIONS .....	13
8.6	CHANGING THE GPS TIME .....	14
8.7	CHANGING THE TIME LOCATION .....	15
<b>9</b>	<b>CONTROLS AND INDICATORS</b> .....	<b>16</b>
<b>10</b>	<b>BASIC OPERATION</b> .....	<b>20</b>
10.1	RECEPTION .....	20
10.2	TRANSMISSION .....	20
10.3	TRANSMIT TIME-OUT TIMER (TOT) .....	20
10.4	SIMPLEX / DUPLEX CHANNEL USE .....	21
10.5	INTERNATIONAL, USA, AND CANADA MODE .....	21
10.6	NOAA WEATHER CHANNELS .....	21
	10.6.1 NOAA Weather Alert .....	21
	10.6.2 NOAA Weather Alert Test .....	22
10.7	EMERGENCY (CHANNEL 16 USE) .....	22
10.8	CALLING ANOTHER VESSEL (CHANNEL 16 OR 9) .....	23
10.9	MAKING TELEPHONE CALLS .....	24
10.10	OPERATING ON CHANNELS 13 AND 67 .....	24
10.11	SCANNING .....	24
	10.11.1 Selecting the Scan Type .....	24
	10.11.2 Memory Scanning (M-SCAN) .....	25
	10.11.3 Priority Scanning (P-SCAN) .....	25

# TABLE OF CONTENTS

<b>11</b>	<b>DIGITAL SELECTIVE CALLING .....</b>	<b>28</b>
11.1	GENERAL .....	28
11.2	MARITIME MOBILE SERVICE IDENTITY (MMSI) .....	28
	11.2.1 What is an MMSI? .....	28
	11.2.2 Programming the MMSI .....	29
11.3	DISTRESS ALERT .....	30
	11.3.1 Transmitting a Distress Alert .....	30
	11.3.2 Receiving a Distress Alert .....	32
11.4	ALL SHIPS CALL .....	33
	11.4.1 Transmitting an All Ships Call .....	33
	11.4.2 Receiving an All Ships Call .....	34
11.5	INDIVIDUAL CALL .....	35
	11.5.1 Setting up the Individual / Position Call Directory .....	35
	11.5.2 Setting up Individual Reply .....	36
	11.5.3 Setting up Individual Call Ringer .....	37
	11.5.4 Transmitting an Individual Call .....	38
	11.5.5 Receiving an Individual Call .....	40
11.6	CALL WAITING DIRECTORY .....	41
	11.6.1 Enabling / Disabling the Call Waiting Feature .....	41
	11.6.2 Reviewing Received Calls Logged into the Call Waiting Directory .....	41
	11.6.3 Deleting DSC Log Calls .....	42
11.7	GROUP CALL .....	43
	11.7.1 Setting up a Group Call .....	43
	11.7.2 Transmitting a Group Call .....	44
	11.7.3 Receiving a Group Call .....	46
	11.7.4 Setting up Group Call Ringer .....	47
11.8	POSITION REQUEST .....	48
	11.8.1 Setting up Position Reply .....	48
	11.8.2 Transmitting a Position Request to Another Vessel .....	49
	11.8.3 Receiving a Position Request .....	51
11.9	POSITION REPORT .....	52
	11.9.1 Setting up Position Report Ringer .....	52
	11.9.2 Transmitting a DSC Position Report Call .....	53
	11.9.3 Receiving a DSC Position Report Call .....	54
11.10	DSC TRANSMISSION TEST .....	55
11.11	MANUAL INPUTTING OF THE GPS LOCATION (LAT/LON) .....	56
<b>12</b>	<b>RADIO SETUP MODE .....</b>	<b>57</b>
12.1	LAMP ADJUSTING .....	57
12.2	LCD CONTRAST .....	57
12.3	TIME OFFSET .....	58
12.4	TIME DISPLAY .....	59
12.5	PRIORITY CHANNEL SET .....	59
12.6	SCAN TYPE .....	59
12.7	KEY BEEP (ON/OFF) .....	60
12.8	WX ALERT .....	61
<b>13</b>	<b>MAINTENANCE .....</b>	<b>62</b>
13.1	REPLACEMENT PARTS .....	62
13.2	FACTORY SERVICE .....	63
13.3	TROUBLESHOOTING CHART .....	63
<b>14</b>	<b>CHANNEL ASSIGNMENTS .....</b>	<b>64</b>
<b>15</b>	<b>WARRANTY .....</b>	<b>70</b>
<b>16</b>	<b>SPECIFICATIONS .....</b>	<b>73</b>

## 1 GENERAL INFORMATION

The Vertex Standard **GX1100S ECLIPSE DSC+** is a VHF/FM transceiver designed for use in the frequency range of 156.025 to 163.275 MHz. The **GX1100S** can be operated from 11 to 16 VDC and has a switchable RF output power of 1 watt or 25 watts.

The **GX1100S** is capable of DSC (Digital Selective Calling) Class D (independent Channel 70 receiver) operation which allows continuous receiving of Digital Selective Calling functions on channel 70 even if the radio is receiving a call.

The **GX1100S** operates on all currently-allocated marine channels which are switchable for use with either USA, International, or Canadian regulations. It has an emergency channel 16 which can be immediately selected from any channel by pressing the red **[16/9]** key. NOAA Weather channels can also be accessed immediately by pressing the **[CLR(WX)]** key.

Other features of the transceiver include: scanning, priority scanning, submersible mic, high and low voltage warning, and GPS repeatability.

## 2 PACKING LIST

When the package containing the transceiver is first opened, please check it for the following contents:

- **GX1100S** Transceiver
- Mounting Bracket and hardware
- Power Cord
- Owner's Manual
- Warranty Card

## 3 OPTIONS

**MMB-84** ..... Flush-Mount Bracket  
**MLS-310** ..... Amplified External Speaker  
**MLS-300** ..... External Loudspeaker

## 4 SAFETY / WARNING INFORMATION

This radio is restricted to occupational use, work related operations only where the radio operator must have the knowledge to control the exposure conditions of its passengers and bystanders by maintaining the minimum separation distance of 0.6 m (2 feet).

Failure to observe these restrictions will result in exceeding the FCC RF exposure limits.

### **Antenna Installation:**

The antenna must be located at least 0.6 m (2 feet) away from passengers in order to comply with the FCC RF exposure requirements.

### **ON-LINE WARRANTY REGISTRATION (in USA or Canada only)**

Please visit [www.standardhorizon.com](http://www.standardhorizon.com) to register the **GX1100S** Marine VHF. It should be noted that visiting the Web site from time to time may be beneficial to you, as new products are released they will appear on the Marine Division of Vertex Standard Web site.

### **PRODUCT SUPPORT INQUIRIES**

If you have any questions or comments regarding the use of the **GX1100S**, you can visit the Marine Division of Vertex Standard Web site to send an E-Mail or contact the Product Support team at 800-767-2450 M-F 7:00-5:00PST.

## 5 FCC RADIO LICENSE INFORMATION

Vertex Standard radios comply with the Federal Communication Commission (FCC) requirements that regulate the Maritime Radio Service.

### STATION LICENSE

An FCC ship station license is no longer required for any vessel traveling in U.S. waters (except Hawaii) which is under 20 meters in length. However, any vessel required to carry a marine radio on an international voyage, carrying a HF single side band radiotelephone or marine satellite terminal is required to have a ship station license. FCC license forms, including applications for ship (605) and land station licenses can be downloaded via the Internet at <http://www.fcc.gov/Forms/Form605/605.html>. To obtain a form from the FCC, call (888) 225-5322.

### RADIO CALL SIGN

Currently the FCC does not require recreational boaters to have a Ship Radio Station License. The USCG recommends the boats registration number and the state to be used.

### CANADIAN SHIP STATION LICENSING

You may need a license when traveling in Canada. If you do need a license contact their nearest field office or regional office or write:

**Industry Canada  
Radio Regulatory Branch  
Attn: DOSP  
300 Slater Street  
Ottawa, Ontario  
Canada, KIA 0C8**

### FCC / INDUSTRY CANADA INFORMATION

The following data pertaining to the transceiver is necessary to fill out the license application.

Type Acceptance ..... FCC Part 80  
Output Power ..... 1 Watt (low) and 25 Watts (high)  
Emission ..... 16K0G3E, 16K0G2B  
Frequency Range ..... 156.025 to 163.275 MHz  
FCC Type Number ..... K6630373X3D  
Industry Canada Type Approval ..... 511B-30373X3S

## 6 FCC NOTICE

### NOTICE

Unauthorized changes or modifications to this equipment may void compliance with FCC Rules. Any change or modification must be approved in writing by Marine Division of Vertex Standard.

### NOTICE

This equipment has been tested and found to comply with the limits for a Class B digital device, pursuant to Part 15 of the FCC Rules. These limits are designed to provide reasonable protection against harmful interference in a residential installation. This equipment generates, uses and can radiate radio frequency energy and, if not installed and used in accordance with the instructions, may cause harmful interference to radio communications. However, there is no guarantee that interference will not occur in a particular installation. If this equipment does cause harmful interference to radio or television reception, which can be determined by turning the equipment off and on, the user is encouraged to try to correct the interference by one or more of the following measures:

- Reorient or relocate the receiving antenna.
- Increase the separation between the equipment and receiver.
- Connect the equipment into an outlet on a circuit different from that to which the receiver is connected.
- Consult the dealer or an experienced radio/TV technician for help.

## **7 GETTING STARTED**

### **7.1 ABOUT VHF RADIO**

The radio frequencies used in the VHF marine band lie between 156 and 158 MHz with some shore stations available between 161 and 163 MHz. The marine VHF band provides communications over distances that are essentially “line of sight” (VHF signals do not travel well through objects such as buildings, hills or trees). Actual transmission range depends much more on antenna type, gain and height than on the power output of the transmitter. On a fixed mount 25W radio transmission expected distances can be greater than 15 miles.

### **7.2 SELECTING AN ANTENNA**

Marine antennas are made to radiate signals equally in all horizontal directions, but not straight up. The objective of a marine antenna is to enhance the signal toward the horizon. The degree to which this is accomplished is called the antenna’s gain. It is measured in decibels (dB) and is one of the major factors in choosing an antenna. In terms of effective radiated power (ERP), antennas are rated on the basis of how much gain they have over a theoretical antenna with zero gain. A 3 foot, 3dB gain antenna represents twice as much gain over the imaginary antenna.

Typically a 3 foot 3dB gain stainless steel whip is used on a sailboat mast. The longer 8 foot 6dB fibreglass whip is primarily used on power boats that require the additional gain.

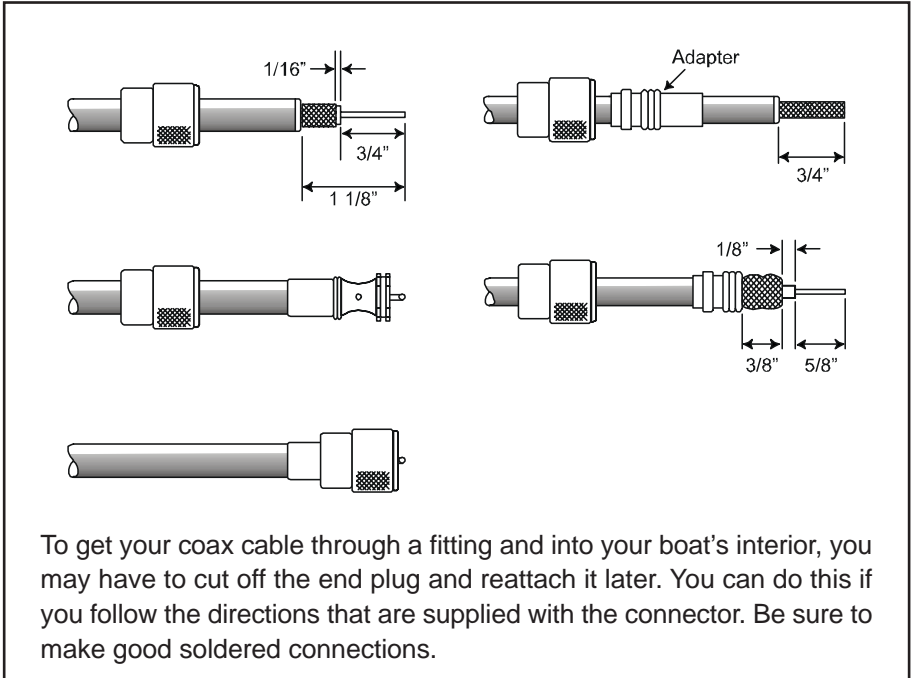




### 7.3 COAXIAL CABLE

VHF antennas are connected to the transceiver by means of a coaxial cable – a shielded transmission line. Coaxial cable is specified by its diameter and construction.

For runs less than 20 feet, RG-58/U, about 1/4 inch in diameter is a good choice. For runs over 20 feet but less than 50 feet, the larger RG-8X should be used for cable runs over 50 feet RG-213 should be used. For installation of the connector onto the coaxial cable refer to the figure below.



To get your coax cable through a fitting and into your boat's interior, you may have to cut off the end plug and reattach it later. You can do this if you follow the directions that are supplied with the connector. Be sure to make good soldered connections.

## 8 INSTALLATION

### 8.1 LOCATION

The radio can be mounted at any angle. Choose a mounting location that:

- keeps the radio and microphone at least 3.3 ft (1 m) away from your vessel's magnetic navigation compass
- provides accessibility to the front panel controls
- allows connection to a power source and an antenna
- has nearby space for installation of a microphone hanger
- the antenna must be mounted at least 3.3 ft (1 m) from radio

**Note:** To insure the radio does not affect the compass, or that the radios performance is not affected by the antenna location, temporarily connect the radio in the desired location and:

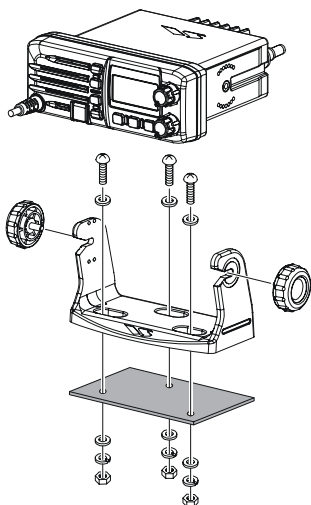
- a. Examine the compass to see if the radio causes any deviation
- b. Connect the antenna and key the radio. Check to ensure the radio is operating correctly by requesting a radio check.

### 8.2 MOUNTING THE RADIO

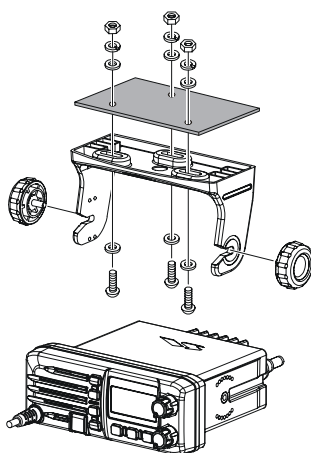
#### 8.2.1 Supplied Universal Mounting Bracket

The supplied universal mounting bracket allows overhead or desktop mounting.

Use a 13/64" (5.2-mm) bit to drill the holes to a surface which is more 0.4 inch (10 mm) thick and can support more than 3.3 lbs (1.5 kg) and secure the bracket with the supplied screws, spring washers, flat washers, and nuts.



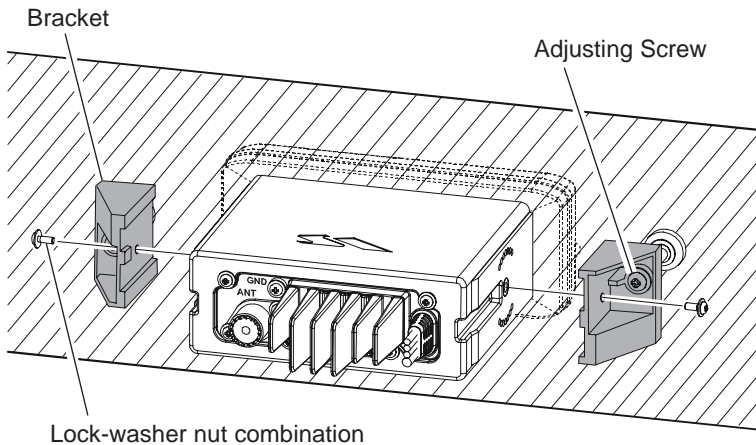
Desktop Mounting



Overhead Mounting

## 8.2.2 Optional MMB-84 Flush Mount Bracket

1. To assist in flush mounting, a template has been included. Use this template to assess the mounting location.
2. Use the template to mark the location where the rectangular hole is to be cut. Confirm the space behind the dash or panel is deep enough to accommodate the transceiver (at least 6.7 inches or 17 cm deep). There should be at least 1/2 inch (1.3 cm) between the transceiver's heatsink and any wiring, cables or structures.
3. Cut out the rectangular hole and insert the transceiver.
4. Fasten the brackets to the sides of the transceiver with the lock washer nut combination; so that the mounting screw base faces the mounting surface.
5. Turn the adjusting screw to adjust the tension so that the transceiver is tight against the mounting surface.



### MMB-84 Flush Mount Installation

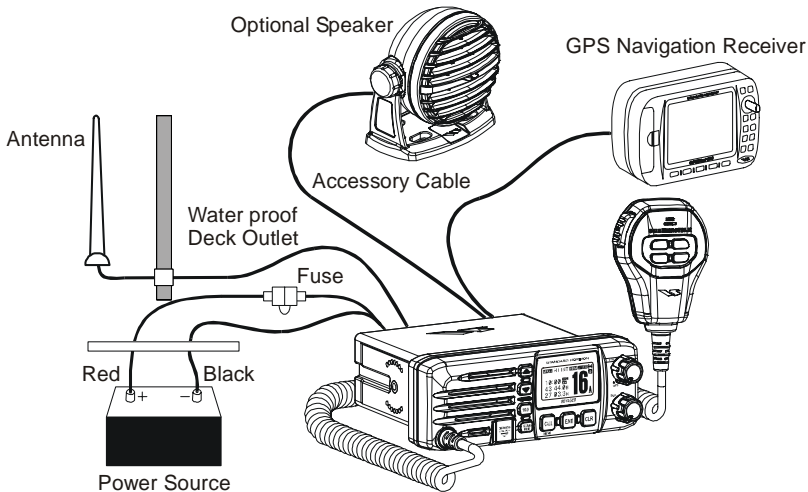
## 8.3 ELECTRICAL CONNECTIONS

### CAUTION

**Reverse polarity connections will damage the radio!**

Connect the power cord and antenna to the radio. Antenna and Power Supply connections are as follows (see Figure 1):

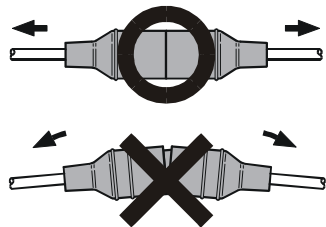
1. Mount the antenna at least 1 m away from the radio. At the rear of the radio, connect the antenna cable.
2. Connect the red power wire to a 13.8 VDC  $\pm 20\%$  power source. Connect the black power wire to a negative ground.
3. If an optional remote extension speaker is to be used, refer to next section for connections.
4. It is advisable to have a Certified Marine Technician check the power output and the standing wave ratio of the antenna after installation.



**Figure 1. General Installation**

### **Fuse Replacement**

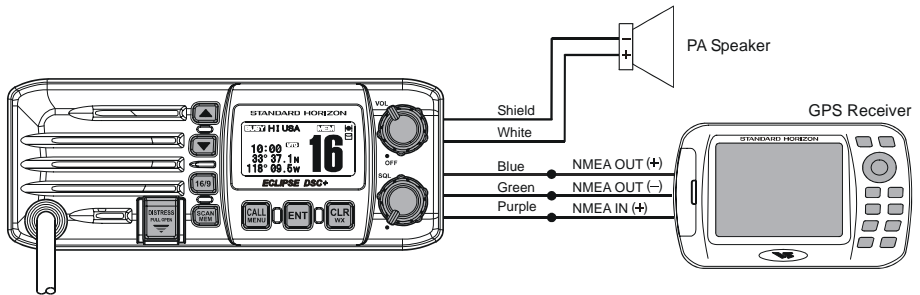
To take out the Fuse from the Fuse Holder, hold the both ends of the Fuse Holder and pull the Fuse Holder apart, do not bend the Fuse Holder. When you replace the Fuse, please confirm that the Fuse is tightly fixed on the metal contact located inside the Fuse Holder. If the metal contact holding the fuse is loose, the Fuse holder may heat up.



## 8.4 ACCESSORY CABLE

Wire Color/Description	Connection Examples
WHITE - External Speaker (+)	Connect to external 4 Ohm audio speaker
SHIELD - External Speaker (-)	Connect to external 4 Ohm audio speaker
BLUE - NMEA Input (+)	Connect to NMEA (+) output of GPS
GREEN - NMEA Input (-)	Connect to NMEA ground of GPS
PURPLE - NMEA Output (+)	Connect to NMEA (+) input of GPS

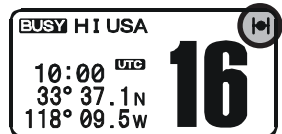
When connecting the external speaker or GPS navigation receiver, strip off about 1 inch (2.5 cm) of the specified wire's insulation, then splice the ends together using proper waterproofing techniques.



- The GPS must have the NMEA Output turned on and set to 4800 Baud in the setup menu. If there is a selection for parity select none.
- For further information on interfacing /setting up your GPS. Please contact the manufacturer of the GPS receiver.
- **GX1100S** can read NMEA-0183 version 2.0 or higher.
- The NMEA supported sentences are:  
 Input: GLL, GGA, RMC and GNS (RMC sentence is recommended)  
 Output: DSC and DSE  
 (DSC sentences to Standard Horizon Plotter for Position Polling)

## 8.5 CHECKING GPS CONNECTIONS

After connections have been made between the **GX1100S** and the GPS, a small satellite icon will appear on the top right corner of the display, and displays your current location (Latitude/Longitude) on the display.



### NOTE

If there is a problem with the NMEA input from a GPS, the GPS icon will blink continuously until the connection is corrected.

## 8.6 CHANGING THE GPS TIME

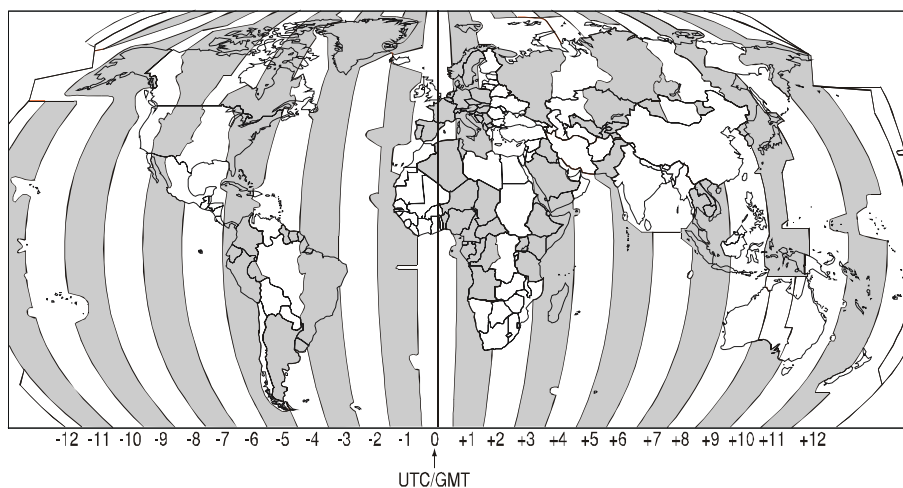
From the Factory the **GX1100S** shows GPS satellite time or UTC time. A time offset is needed to show the local time in your area.

1. Press and hold down the [CALL(MENU)] key until "SETUP MENU" appears.
2. Press the [ENT] key, then select "TIME OFFSET" with the [▲(UP)] / [▼(DOWN)] keys.
3. Press the [ENT] key.
4. Press the [▲(UP)] / [▼(DOWN)] keys to select time offset from UTC. See illustration below to find your offset time from UTC. If "00:00" is assigned, the time is the same as UTC (Universal Time Coordinated or GMT Greenwich Mean Time).
5. Press the [ENT] key to store the time offset.
6. Press the [16/9] key to exit the menu mode and return to radio operation.

```
—SETUP MENU—  
▶RADIO SETUP  
DSC SETUP  
POS INPUT ▼  
Set▶[ENT] Quit▶[CLR]
```

```
—RADIO SETUP—  
DIMMER  
CONTRAST  
▶TIME OFFSET ▼  
Set▶[ENT] Quit▶[CLR]
```

```
—TIME OFFSET—  
+01:00 ▲  
+00:30  
▶00:00 ▼  
Set▶[ENT] Quit▶[CLR]
```



**OFFSET TIME TABLE**

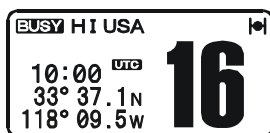
## 8.7 CHANGING THE TIME LOCATION

Sets the radio to show UTC time or Local time with the offset inputted in section 8.6 Changing the GPS Time.

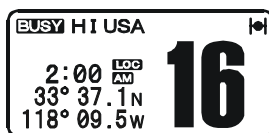
1. Press and hold down the [CALL(MENU)] key until "SETUP MENU" appears.
2. Press the [ENT] key, then select "TIME DISPLAY" with the [▲(UP)] / [▼(DOWN)] keys.
3. Press the [ENT] key.
4. Press the [▲(UP)] / [▼(DOWN)] to select "UTC" or "LOCAL".
5. Press the [ENT] key to store the selected setting.
6. Press the [16/9] key to exit the menu mode and return to radio operation.



In the Local time mode, the display shows the time by the 12-hour system. Meanwhile, the display shows the time by 24-hour system in the UTC time mode.



("UTC" mode)



("LOCAL" mode)

## 9 CONTROLS AND INDICATORS

### NOTE

This section defines each control of the transceiver. See Figure 4 for location of controls. For detailed operating instructions refer to section “10 BASIC OPERATION.”

#### ① POWER SWITCH / VOLUME CONTROL (VOL/PWR)

Turns the transceiver on and off as well as adjusts the audio volume.

Turn this knob clockwise to turn the radio on and to increase the speakers audio volume level.

Turn fully counter-clockwise to turn the radio off.

#### ② SQUELCH CONTROL (SQL)

Adjusting this control clockwise, sets the point at which random noise on the channel does not activate the audio circuits but a received signal will.

This point is called the squelch threshold. Further adjustment of the squelch control will degrade reception of wanted transmissions.

#### ③ [CLR(WX)] Key

Press the [CLR(WX)] key to cancel the menu selection.

##### **Secondary use**

Press and hold the [CLR(WX)] key to recall the last-used NOAA (National Oceanic and Atmospheric Administration) Weather Channel from any channel location. Recalls the previously-selected working channel when press and hold the [CLR(WX)] key again.

#### ④ [ENT] Key

Press the [ENT] Key to determine the menu selection.

#### ⑤ [CALL(MENU)] Key

Press the [CALL(MENU)] key to access the “DSC MENU”. The “INDIVIDUAL CALL”, “GROUP CALL”, “ALL SHIPS CALL”, “POS REQUEST”, “POS REPORT”, “DSC LOG”, and “DSC TEST” functions can be accessed from the “DCS MENU”.

### NOTE

Before the “DSC MENU” menu can be selected a MMSI must be entered. Refer to section “11.2 MARITIME MOBILE SERVICE IDENTITY (MMSI).”

##### **Secondary use**

Press and hold the [CALL(MENU)] key to access the “SETUP MENU”. The “RADIO SETUP” (refer to section “11 RADIO SETUP MODE”), “DSC SETUP”, “POS INPUT”, and “MMSI SETUP” functions can be accessed from the “SETUP MENU”.



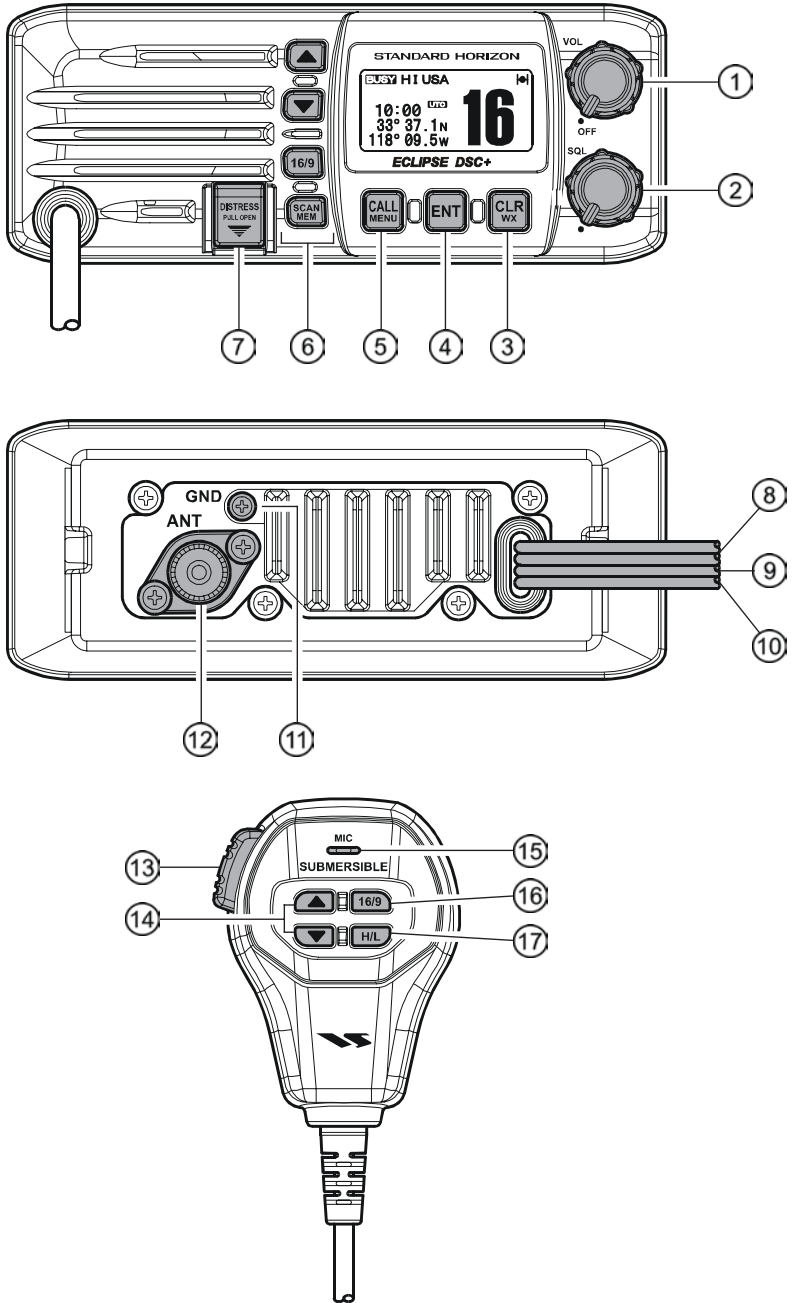


Figure 4. Controls and Connectors

## ⑥ **KEYPAD**

### [▲(UP)] / [▼(DOWN)] KEYS

The [▲(UP)] and [▼(DOWN)] keys are used to select a desired channel and to select items in the DSC OPERATION and SETUP menus.

### [16/9] Key

Immediately recalls channel 16 from any channel location and automatically selects high power. Holding down this key recalls channel 9. Pressing the [16/9] key again reverts to the previous selected working channel.

#### **Secondary use**

Press and hold the [16/9] key then press the [CLR(WX)] key to switch between the USA, Canadian, and International Channel Groups.

### [SCAN(MEM)] Key

Press this key to start and stop the scanning of programmed channels. Refer to section “8.10 SCANNING” for details.

#### **Secondary use**

To add a channel into the scan memory, select the channel and press and hold the [SCAN(MEM)] key until “MEM” is shown on the display.

To delete a memorized channel from scan memory, select the channel and press and hold the [SCAN(MEM)] key until “MEM” is removed from the display.

## ⑦ [DISTRESS] Key

Used to send a DSC Distress Call. To send the distress call refer to section “9.3.1 (Transmitting A Distress Alert).”

## ⑧ **DC INPUT CABLE**

Connects the radio to a DC power supply capable of delivering 12V DC.

## ⑨ **EXTERNAL SPEAKER CONNECTION CABLE**

Connects the **GX1100S** to an external speaker.

## ⑩ **GPS RECEIVER CONNECTION CABLE**

Connects the **GX1100S** to a GPS receiver.

## ⑪ **GND TERMINAL**

Connects the **GX1100S** to a good ground, for safety and optimum performance.

Normally, the **GND** connection to the heat sink is not needed. However, when the DC power cable connection to the radio has a long run, the transmitter may become unstable and the receiving audio may be noisy. In such a case, connect a large diameter, short cable between this terminal on the heat sink and battery ground.

**Install only the supplied screw or similar size (M3x6, Stainless Steel) screw.**

⑫ **ANTENNA JACK**

Connects an antenna to the transceiver. Use a marine VHF antenna with an impedance of 50 ohms.

⑬ **MICROPHONE**

Transmits the voice message with reduction of background noise, using Clear Voice Noise Reduction Technology.

**NOTE**

Be sure your mouth is about 1/2 inch (1.3 cm) from the mic hole for best performance.

⑭ **PTT (Push-To-Talk) SWITCH**

Keys the transmitter when the transceiver is in radio mode.

⑮ **[▲(UP)] / [▼(DOWN)] KEYS**

The [▲(UP)] and [▼(DOWN)] keys on the microphone function the same as the [▲(UP)] and [▼(DOWN)] keys on the front panel of the transceiver.

⑯ **[16/9] Key**

The [16/9] key on the microphone functions the same as the [16/9] key on the front panel of the transceiver.

Immediately recalls channel 16 from any channel location. Holding down this key recalls channel 9. Pressing the [16/9] key again reverts to the previous selected working channel.

⑰ **[H/L] Key**

Press this key to toggle the transmit output power between 25 W (High) and 1 W (Low) power. When the [H/L] key is pressed while the transceiver is on channel 13 or 67, the power will temporarily switch from LO to HI power until the **PTT** is released.

The [H/L] key does not function on transmit inhibited and low power only channels.

**NOTE**

1W low power is indicated by LO on the display, when 25W high power is selected the display do not show an indication.

## 10 BASIC OPERATION

### 10.1 RECEPTION

1. After the transceiver has been installed, ensure that the power supply and antenna are properly connected.
2. Turn the **VOL/PWR** knob clockwise to turn the transceiver on.
3. Turn the **SQL** knob fully counterclockwise. This state is known as “squelch off”.
4. Turn up the **VOL** knob until noise or audio from the speaker is at a comfortable level.
5. Turn the **SQL** knob clockwise until the random noise disappears. This state is known as the “squelch threshold.”
6. Press the [**▲(UP)**] or [**▼(DOWN)**] keys to select the desired channel. Refer to the channel chart on page 64 for available channels.
7. When a message is received, adjust the volume to the desired listening level. The “**BUSY**” indicator in the LCD is displayed indicating that the channel is being used.

### 10.2 TRANSMISSION

1. Perform steps 1 through 6 of RECEPTION.
2. Before transmitting, monitor the channel to ensure it is clear.  
**THIS IS AN FCC REQUIREMENT!**
3. Press the **PTT** (push-to-talk) switch. The “**TX**” indicator in the LCD is displayed.
4. Speak slowly and clearly into the microphone.
5. When the transmission is finished, release the **PTT** switch.

#### NOTE

This is a noise cancelling microphone. The oval slot on the bottom of microphone should be positioned within 1/2 inch (1.3 cm) from the mouth for optimum performance.

### 10.3 TRANSMIT TIME - OUT TIMER (TOT)

When the **PTT** switch on the microphone is held down, transmit time is limited to 5 minutes. This limits unintentional transmissions due to a stuck microphone. About 10 seconds before automatic transmitter shutdown, a warning beep will be heard from the speaker(s). The transceiver will automatically go to receive mode, even if the **PTT** switch is continually held down. Before transmitting again, the **PTT** switch must first be released and then pressed again.

#### NOTE

When a transmission was shut down by the TOT, the **GX1100S** can not transmit afterwards for 10 seconds.

## 10.4 SIMPLEX/DUPLEX CHANNEL USE

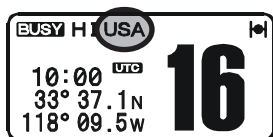
Refer to the VHF MARINE CHANNEL CHART (page 64) for instructions on use of simplex and duplex channels.

### NOTE

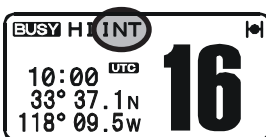
All channels are factory-programmed in accordance with International, Industry Canada (Canada), and FCC (USA) regulations. Mode of operation cannot be altered from simplex to duplex or vice-versa.

## 10.5 USA, INTERNATIONAL, AND CANADA MODE

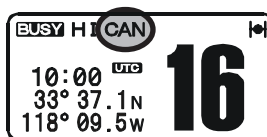
1. To change the modes, hold the [16/9] key and press the [CLR(WX)] key. The mode changes from “USA” to “International” to “Canadian” with each press of the [CLR(WX)] key.
2. “USA” will be displayed on the LCD for USA mode, “INTL” will be displayed for International mode, and “CAN” will be displayed for Canadian mode.
3. Refer to the VHF MARINE CHANNEL CHART (page 61) for allocated channels in each mode.



USA MODE



INTERNATIONAL MODE



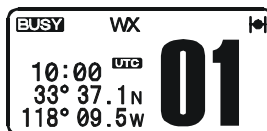
CANADIAN MODE

## 10.6 NOAA WEATHER CHANNELS

### NOTE

NOAA Weather channels are available in the waters of USA and Canada only.

1. To receive a NOAA weather channel, press and hold the [CLR(WX)] key from any channel. The transceiver will go to the last selected weather channel.
2. Press the [▲]/[▼] keys to select a different NOAA weather channel.
3. To exit from the NOAA weather channels, press and hold the [CLR(WX)] key. The transceiver returns to the channel it was on prior to a weather channel.



### 10.6.1 NOAA Weather Alert

In the event of extreme weather disturbances, such as storms and hurricanes, the NOAA (National Oceanic and Atmospheric Administration) sends a weather alert accompanied by a 1050 Hz tone and subsequent weather report on one of the NOAA weather channels. When the Weather Alert feature is enabled (see section “12.8 WX ALERT”), the transceiver is capable of receiving this alert if

the following is performed:

1. Program NOAA weather channels into the transceiver's memory for scanning. Follow the same procedure as for regular channels under section "10.11 SCANNING."
2. Press the [SCAN(MEM)] key once to start memory scanning or priority scanning (determined from the "RADIO SETUP" selection, see page 56 for details).
3. The programmed NOAA weather channels will be scanned along with the regular-programmed channels. However, scanning will not stop on a normal weather broadcast unless a NOAA alert is received.
4. When an alert is received on a NOAA weather channel, scanning will stop and the transceiver will emit a loud beep to alert the user of a NOAA broadcast.
5. Press the [CLR(WX)] key to stop the alert tone and receive the weather report.

#### NOTE

- If the [CLR(WX)] key is not pressed the alert tone will be emitted for 5 minutes and then the weather report will be received.
- The Weather Alert feature is also engaged while the transceiver is receiving on one of the NOAA weather channels.

### 10.6.2 NOAA Weather Alert Testing

NOAA tests the alert system every Wednesday between 11AM and 1PM. To test the **GX1100S's** NOAA Weather alert feature, on Wednesday between 11AM and 1PM, setup as in previous section and confirm the alert is heard.

### 10.7 EMERGENCY (CHANNEL 16 USE)

Channel 16 is known as the Hail and Distress Channel. An emergency is defined as a threat to life or property. In such instances, be sure the transceiver is on and set to CHANNEL 16. Then use the following procedure:

1. Press the microphone push-to-talk switch and say "**Mayday, Mayday, Mayday**. This is \_\_\_\_\_, \_\_\_\_\_, \_\_\_\_\_" (your vessel's name).
2. Then repeat once: "**Mayday, \_\_\_\_\_**" (your vessel's name).
3. Now report your position in latitude/longitude, or by giving a true or magnetic bearing (state which) to a well-known landmark such as a navigation aid or geographic feature such as an island or harbour entry.
4. Explain the nature of your distress (sinking, collision, aground, fire, heart attack, life-threatening injury, etc.).
5. State the kind of assistance you desire (pumps, medical aid, etc.).
6. Report the number of persons aboard and condition of any injured.
7. Estimate the present seaworthiness and condition of your vessel.

8. Give your vessel's description: length, design (power or sail), color and other distinguishing marks. The total transmission should not exceed 1 minute.
9. End the message by saying "**OVER.**" Release the microphone button and listen.
10. If there is no answer, repeat the above procedure. If there is still no response, try another channel.

## 10.8 CALLING ANOTHER VESSEL (CHANNEL 16 OR 9)

Channel 16 may be used for initial contact (hailing) with another vessel.

However, its most important use is for emergency messages. This channel must be monitored at all times except when actually using another channel.

It is monitored by the European, U.S. and Canadian Coast Guards and by other vessels. **Use of channel 16 for hailing must be limited to initial contact only.** Calling should not exceed 30 seconds, but may be repeated 3 times at 2-minute intervals. In areas of heavy radio traffic, congestion on channel 16 resulting from its use as a hailing channel can be reduced significantly in U.S. waters by using **channel 9** as the initial contact (hailing) channel for non-emergency communications. Here, also, calling time should not exceed 30 seconds but may be repeated 3 times at 2-minute intervals.

Prior to making contact with another vessel, refer to the channel charts in this manual, and select an appropriate channel for communications after initial contact. For example, Channels 68 and 69 are some of the channels available to non-commercial (recreational) boaters. Monitor your desired channel in advance to make sure you will not be interrupting other traffic, and then go back to either channel 16 or 9 for your initial contact.

When the hailing channel (16 or 9) is clear, state the name of the other vessel you wish to call and then "**this is**" followed by the name of your vessel and your Station License (Call Sign). When the other vessel returns your call, immediately request another channel by saying "**go to**," the number of the other channel, and "over." Then switch to the new channel. When the new channel is not busy, call the other vessel.

After a transmission, say "**over**," and release the microphone's push-to-talk (PTT) switch. When all communication with the other vessel is completed, end the last transmission by stating your Call Sign and the word "**out.**" Note that it is not necessary to state your Call Sign with each transmission, only at the beginning and end of the contact.

Remember to return to Channel 16 when not using another channel. Some radios automatically monitor Channel 16 even when set to other channels or when scanning.



## 10.9 MAKING TELEPHONE CALLS

To make a radiotelephone call, use a channel designated for this purpose, The fastest way to learn which channels are used for radiotelephone traffic is to ask at a local marina. Channels available for such traffic are designated **Public Correspondence** channels on the channel charts in this manual. Some examples for USA use are Channels 24, 25, 26, 27, 28, 84, 85, 86, and 87. Call the marine operator and identify yourself by your vessel's name, The marine operator will then ask you how you will pay for the call (telephone credit card, collect, etc.) and then link your radio transmission to the telephone lines.

The marine telephone company managing the VHF channel you are using may charge a link-up fee in addition to the cost of the call.

## 10.10 OPERATING ON CHANNELS 13 AND 67

Channel 13 is used at docks and bridges and by vessels manoeuvring in port. Messages on this channel must concern navigation only, such as meeting and passing in restricted waters.

Channel 67 is used for navigational traffic between vessels.

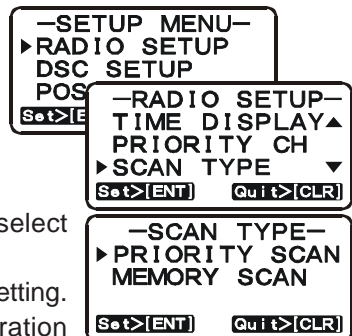
By regulation, power is normally limited to 1 Watt on these channels. Your radio is programmed to automatically reduce power to this limit on these channels. However, in certain situations it may be necessary to temporarily use a higher power. See page 17 ([H/L] key) for means to temporarily override the low-power limit on these two channels.

## 10.11 SCANNING

Allows the user to select the scan type from Memory scan or Priority scan. "Memory scan" scans the channels that were programmed into memory. "Priority scan" scans the channels programmed in memory with the priority channel.

### 10.11.1 Selecting the Scan Type

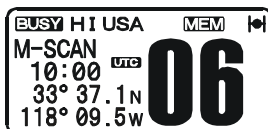
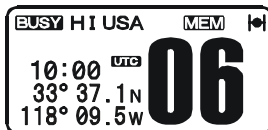
1. Press and hold down the [CALL(MENU)] key until "SETUP MENU" appears.
2. Press the [ENT] key, then select "SCAN TYPE" in the "RADIO SETUP" menu with the [▲(UP)] / [▼(DOWN)] keys.
3. Press the [ENT] key.
4. Press the [▲(UP)] / [▼(DOWN)] keys to select "PRIORITY SCAN" or "MEMORY SCAN."
5. Press the [ENT] key to store the selected setting.
6. To exit this menu and return to radio operation mode press the [16/9] key.





### 10.11.2 Memory Scanning (M-SCAN)

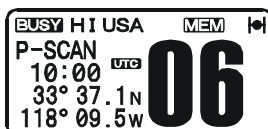
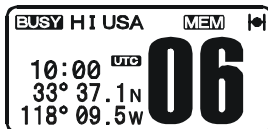
1. Adjust the **SQL** knob until background noise disappears.
2. Select a desired channel to be scanned using the [**▲(UP)**] / [**▼(DOWN)**] keys.
3. Press and hold the [**SCAN(MEM)**] key until "**MEM**" is shown on the LCD which indicates the channel has been programmed into the transceivers memory.
4. Repeat steps 2 and 3 for all the desired channels to be scanned.
5. To **DELETE** a channel from the transceiver's memory, select the channel then press and hold the [**SCAN(MEM)**] key until "**MEM**" disappears from the LCD.
6. To start scanning, just press the [**SCAN(MEM)**] key momentarily. "**M-SCAN**" appears on the LCD. Scanning will proceed from the lowest to the highest programmed channel number and will stop on a channel when a transmission is received.
7. The channel number will blink during reception.
8. To stop scanning, press the [**16/9**] or [**CLR(WX)**] key.



### 10.11.3 Priority Scanning (P-SCAN)

In the default setting, Channel 16 is set as the priority channel. You may change the priority channel to another channel from Channel 16 in the Radio Setup Mode, refer to section "**12.5 PRIORITY CHANNEL SET.**"

1. Adjust the **SQL** knob until background noise disappears.
2. Select a desired channel to be scanned using the [**▲(UP)**] / [**▼(DOWN)**] keys.
3. Press and hold the [**SCAN(MEM)**] key until "**MEM**" is shown on the display which indicates the channel has been programmed into the transceivers memory.
4. Repeat step 2 for all the desired channels to be scanned.
5. To **DELETE** a channel from the transceiver's memory, select the channel then press and hold the [**SCAN(MEM)**] key until "**MEM**" disappears from the LCD.
6. To start priority scanning, just press the [**SCAN(MEM)**] key momentarily. "**P-SCAN**" appears on the LCD. Scanning will proceed between the memorized channels and the priority channel. The



priority channel will be scanned after each programmed channel.

7. To stop scanning, press the [16/9] or [CLR(WX)] key.

### Priority Channel Setting

1. Press and hold down the [CALL(MENU)] key until "SETUP MENU" appears.
2. Press the [ENT] key, then select "PRIORITY CH" in the "RADIO SETUP" menu with the [▲(UP)] / [▼(DOWN)] keys.
3. Press the [ENT] key.
4. Press the [▲(UP)] / [▼(DOWN)] keys to select the Priority channel.
7. Press the [ENT] key to store the selected setting.
8. Press the [16/9] key to exit the menu mode and return to radio operation.

```
—SETUP MENU—  
▶RADIO SETUP  
DSC SETUP  
POS INPUT ▼  
[Set] [ENT] [Quit] [CLR]
```

```
—RADIO SETUP—  
TIME OFFSET ▲  
TIME DISPLAY  
▶PRIORITY CH ▼  
[Set] [ENT] [Quit] [CLR]
```

```
—PRIORITY CH—  
18 ▲  
17  
▶16 ▼  
[Set] [ENT] [Quit] [CLR]
```



# 11 DIGITAL SELECTIVE CALLING

## 11.1 GENERAL

### WARNING

This radio is designed to generate a digital maritime distress and safety call to facilitate search and rescue. To be effective as a safety device, this equipment must be used only within communication range of a shore-based VHF marine channel 70 distress and safety watch system. The range of signal may vary but under normal conditions should be approximately 20 nautical miles.

Digital Selective Calling is a semi-automated method of establishing a radio call, it has been designated by the International Maritime Organization (IMO) as an international standard for establishing VHF, MF, and HF radio calls. It has also been designated as part of the Global Maritime Distress and Safety System (GMDSS). It is planned that DSC will eventually replace aural watches on distress frequencies and will be used to announce routine and urgent maritime safety information broadcasts.

This system allows mariners to instantly send a distress call with GPS position (when connected to the transceiver) to the Coast Guard and other vessels within range of the transmission. DSC will also allow mariners to initiate or receive Distress, Urgency, Safety, Routine, POSITION REQUEST, POSITION SEND, and Group calls to or from another vessel equipped with a DSC transceiver.

## 11.2 MARITIME MOBILE SERVICE IDENTITY (MMSI)

### 11.2.1 What is an MMSI?

An MMSI is a nine digit number used on Marine Transceivers capable of using Digital Selective Calling (DSC). This number is used like a telephone number to selectively call other vessels.

**THIS NUMBER MUST BE PROGRAMMED INTO THE RADIO TO OPERATE THE GX1100S DSC FUNCTIONS.**

#### How can I obtain an MMSI assignment?

In the USA, visit the following websites to register:

<http://www.boatus.com/mmsi/> or

[http://seatow.com/boating\\_safety/mmsi.asp](http://seatow.com/boating_safety/mmsi.asp)

In the Canada, visit

<http://www.ic.gc.ca/epic/site/smt-gst.nsf/en/sf01032e.html> or

<http://www.usps.org/php/mmsi/rules.php>

## 11.2.2 Programming the MMSI

### WARNING

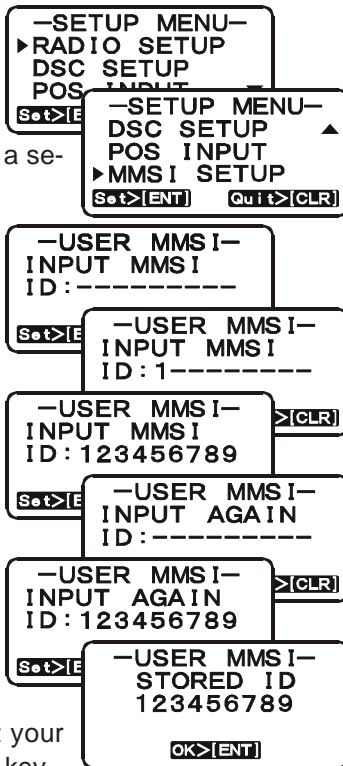
**A User MMSI can be input only once.** Therefore, *please be careful not to input the incorrect MMSI number.* If you need to change the MMSI number after it has been entered, the radio will have to be returned to Factory Service. Refer to the section “13.2. FACTORY SERVICE.”

1. Press and hold down the [CALL(MENU)] key until the “SETUP MENU” appears.
2. Press the [▼(DOWN)] key repeatedly until the “MMSI SETUP” menu appears.
3. Press the [ENT] key. The display will show a series of dashes.
4. Press the [▲(UP)] / [▼(DOWN)] keys to select the first number of your MMSI, then press the [ENT] key to step to the next number.
5. Repeat step 4 to set your MMSI (up to nine digits).

### NOTE

If a mistake was made, pressing the [H/L] key on the microphone will step to previously entered numbers and will allow the number to be changed using the [▲(UP)] or [▼(DOWN)] keys.

6. When finished programming the number, press and hold the [ENT] key. A confirmation message appears on the display. Set your MMSI again, then press and hold the [ENT] key.
7. Press the [ENT] key to store the number in memory and return to radio operation mode.



## 11.3 DISTRESS ALERT

The **GX1100S** is capable of transmitting and receiving DSC Distress messages to all DSC radios. The **GX1100S** may be connected to a GPS to also transmit the Latitude and Longitude of the vessel.

### NOTE

If a GPS with NMEA output is not connected to the radio, the **GX1100S** will beep 10 minutes after the radio is turned on. After that the **GX1100S** will beep every 4 hours alerting to connect a GPS.

### 11.3.1 Transmitting a Distress Alert

#### NOTE

To be able to transmit a Distress Alert an MMSI number must be programmed, refer to section “11.2.2 Programming the MMSI.”

In order for your vessels location to be transmitted either connect a GPS to the **GX1100S** (refer to section “8.4 ACCESSORY CABLE”) or manually input your position (refer to section “11.11 MANUAL INPUTTING OF THE GPS LOCATION”).

1. Lift the red spring loaded DISTRESS cover, then press and hold the [DISTRESS] key. The “DISTRESS” menu will appear on the LCD and the radios display will count down (3S → 2S → 1S) and then transmit the Distress Alert. The backlight of the LCD and keypad flashes while the radios display is countdown.

```
!!DIST INFO!!
▶ UNDESIGNATED
  33° 37. 1N
 118° 09. 5w
Edit>[ENT]  Quit>[CLR]
```
2. The transceiver will watch for a DSC acknowledgment transmission on CH70 and also receive calls on CH16.

```
!!DISTRESS!!
UNDESIGNATED
TIME FOR 3S
```
3. If an acknowledgement is received, select channel 16 and advise your distress situation.

```
!!DISTRESS!!
TRANSMITTING
TX IN 00:00
```
4. If no acknowledgment is received, the Distress Alert is repeated at approximately 4 minute intervals until a DSC acknowledgment is received.

```
!!DISTRESS!!
WAIT FOR ACK
TX IN 4:00
Quit>[CLR]
```
5. When a DSC Distress acknowledgment is received, a DSC Distress Alarm sounds and channel 16 is automatically selected. The LCD shows the MMSI of the ship responding to your distress.  
RECEIVED ACK: acknowledgment signal is received.  
RECEIVED RLY ACK: relay acknowledgment signal is received from another vessel or coast station.
6. To cancel the DSC Distress Alarm signal from the speaker, press any key.

### Transmitting a Distress Alert with Nature of Distress

The **GX1100S** is capable of transmitting a Distress Alert with the following “Nature of Distress” categories:

Undesignated, Fire, Flooding, Collision, Grounding, Capsizing, Sinking, Adrift, Abandoning, Piracy, Mob

1. Lift the red spring loaded DISTRESS cover and press the [DISTRESS] key. The “DISTRESS” menu will appear on the LCD.
2. Press the [ENT] key.
3. Press the [▲(UP)] / [▼(DOWN)] keys to select the desired nature of distress category, then press the [ENT] key.
4. Press and hold the [DISTRESS] key. The radios display will count down (3S → 2S → 1S) and then transmit the Distress Alert. The backlight of the LCD and keypad flashes while the radios display is countdown.
5. The transceiver will watch for a DSC acknowledgment transmission on CH70 and also receive calls on CH16.
6. If an acknowledgement is received, select channel 16 and advise your distress situation.
7. If no acknowledgment is received, the Distress Alert is repeated in 4 minute intervals until a DSC acknowledgment is received.
8. When a DSC Distress acknowledgment is received, a distress alarm sounds and channel 16 is automatically selected. The LCD shows the MMSI of the ship responding to your distress.

RECEIVED ACK: acknowledgment signal is received.

RECEIVED RLY ACK: relay acknowledgment signal is received from another vessel or coast station.

9. To cancel the DSC distress alarm signal from the speaker, press any key.

!!DIST INFO!!  
▶ UNDESIGNATED  
33° 37.1N  
118° 09.5W  
[Edit]▶[ENT] [Quit]▶[CLR]

!!NATURE OF!!  
UNDESIGNATED  
▶ FIRE  
FLOODING ▼  
[Set]▶[ENT] [Quit]▶[CLR]

!!DIST INFO!!  
▶ FIRE  
33° 37.1N  
118° 09.5W  
[Edit]▶[ENT] [Quit]▶[CLR]

!!DISTRESS!!  
FIRE  
TIME FOR 3S

!!DISTRESS!!  
TRANSMITTING  
TX IN 00:00

!!DISTRESS!!  
WAIT FOR ACK  
TX IN 4:00  
[Quit]▶[CLR]

### NOTE

After the radio transmits the DSC call, the display of the radio will show the next time the Distress call will be transmitted. The display will show TX IN 4:00 and count down until the distress call is transmitted.

### Cancel a Distress Alert

The **GX1100S** has the capability to transmit a DSC Distress cancel call by, pressing the **[CLR(WX)]** key, then press the **[ENT]** key.

**!DIST CANCEL!  
TRANSMIT**  
**Yes>[ENT] No>[CLR]**

**!DIST CANCEL!  
TRANSMITTED**  
**Quit>[CLR]**

### 11.3.2 Receiving a Distress Alert

1. When a Distress Alert is received, an emergency alarm sounds.

The display will show the MMSI (or name) of the vessel transmitting the Distress and the radio automatically switches to channel 16.

**RECEIVED  
DISTRESS  
123456789  
SINCE 0:00 ▾**  
**Quit>[CLR]**


2. Press any key to stop the alarm.

3. Press the **[▼(DOWN)]** key to change the display to show the “Nature of Distress” and position of the vessel.

**UNDESIGNATED ▲  
123456789  
33° 35.4N  
118° 07.4W ▾**  
**Quit>[CLR]**

4. If the position of the vessel distress data does not include position, the LCD will show “NO POSITION”.

#### **NOTE**

- When there is an unread Distress Alert, “” icon will appear on the display. You may review the unread Distress Alert from the DSC Log, refer to section “**11.6.2 Reviewing Received Calls Logged into the Call Waiting Directory.**”
- You must continue monitoring channel 16 as a coast station may require assistance in the rescue attempt.



## 11.4 ALL SHIPS CALL

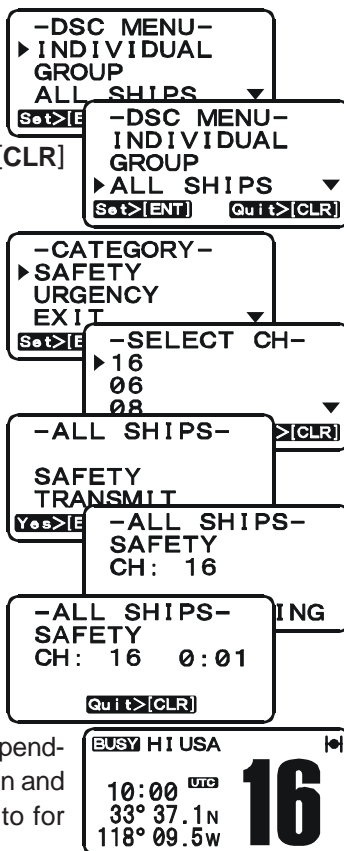
The All Ships Call function allows contact to be established with other vessel stations without having their ID in the individual calling directory. Also, priority for the call can be designated as Urgency or Safety.

**URGENCY Call:** This type of call is used when a vessel may not truly be in distress, but have a potential problem that may lead to a distress situation. This call is the same as saying PAN PAN PAN on channel 16.

**SAFETY Call:** Used to transmit boating safety information to other vessels. This message usually contains information about an overdue boat, debris in the water, loss of a navigation aid or an important meteorological message. This call is the same as saying "Securite, Securite, Securite."

### 11.4.1 Transmitting an All Ships Call

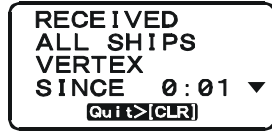
1. Press the [CALL(MENU)] key. The "DSC MENU" will appear.
2. Press the [▲(UP)] / [▼(DOWN)] keys to select "ALL SHIPS."
3. Press the [ENT] key. (To cancel, press the [CLR] key)
4. Press the [▲(UP)] / [▼(DOWN)] keys to select the call ("SAFETY" or "URGENCY"), then press the [ENT] key.
5. Press the [▲(UP)] / [▼(DOWN)] keys to select the operating channel you want to communicate on, then press the [ENT] key.
6. Press the [ENT] key again to transmit the selected call type of ALL SHIPS CALL.
7. After the ALL SHIPS CALL is transmitted, the transceiver will switch to the channel which is selected on step 5 above (but, the display will not change. To change the display, press the [CLR(WX)] key).
8. Listen to the channel to make sure it is not busy, then key the microphone and say PAN PAN PAN or "Securite, Securite, Securite" depending on the priority of the call. Say your call sign and announce the channel you wish to switch to for communications.



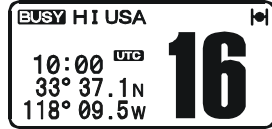
## 11.4.2 Receiving an All Ships Call

1. When an All Ships Call is received, an emergency alarm sounds.

The display will show the MMSI (or name) of the vessel transmitting the All Ships Call and the radio automatically switches to the requested channel (but, the display will not change).



2. Press any key to stop the alarm.
3. Press the [▼(DOWN)] key to display the “Nature of Call”.
4. Press the [CLR(WX)] key to display the operating channel number of the requested channel.
5. Press the **PTT** switch on the microphone and talk to the calling ship.



## 11.5 INDIVIDUAL CALL

This feature allows the **GX1100S** to contact another vessel with a DSC VHF radio and automatically switch the receiving radio to a desired communications channel. This feature is similar to calling a vessel on CH16 and requesting to go to another channel (switching to the channel is private between the two stations).

### 11.5.1 Setting up the Individual / Position Call Directory

The **GX1100S** has a DSC directory that allows you to store a vessel or person's name and the MMSI number associated with vessels you wish to transmit Individual calls, Position Requests and Position Send transmissions.

To transmit an Individual call you must program this directory with the information of the persons you wish to call, similar to a cellular phones directory.

1. Press and hold down the [**CALL(MENU)**] key until "SETUP MENU" appears.
2. Press the [**▲(UP)**] / [**▼(DOWN)**] keys to select "DSC SETUP" menu.
3. Press the [**ENT**] key, then select "INDIV DIR" with the [**▲(UP)**] / [**▼(DOWN)**] keys.
4. Press the [**ENT**] key, then select "ADD" with the [**▲(UP)**] / [**▼(DOWN)**] keys.
5. Press the [**ENT**] key.
6. Press the [**▲(UP)**] / [**▼(DOWN)**] keys to scroll to the first letter of the name of the vessel or person you want to list in the directory.
7. Press the [**ENT**] key to store the first letter of the name and step to the next letter to the right.
8. Repeat step 6 and 7 until the name is complete. The name can consist of up to eleven characters, if you do not use all eleven characters press the [**ENT**] key to move to the next space. This method can also be used to enter a blank space in the name. To clear the previous letter, press the [**CLR(WX)**] key.
9. After the eleventh letter or space has been entered, press and hold the [**ENT**] key to advance to the MMSI number (Maritime Mobile Service Identity Number) entry.
10. Press the [**▲(UP)**] / [**▼(DOWN)**] keys to scroll through numbers, 0-9. To enter the desired num-

```

-SETUP MENU-
▶RADIO SETUP
DSC SETUP
POS INPUT ▼
Set>[ENT] Quit>[CLR]
    
```

```

-SETUP MENU-
RADIO SETUP
▶DSC SETUP
POS INPUT ▼
Set>[ENT] Quit>[CLR]
    
```

```

-DSC SETUP-
▶INDIVI DIR
INDIVI REPLY
INDIVI ACK ▼
Set>[ENT] Quit>[CLR]
    
```

```

-INDIVI DIR-
▶ADD
EDIT
DELETE
Set>[ENT] Quit>[CLR]
    
```

```

-INDIVI DIR-
STATION NAME
V
ID:-----
Set>[ENT] Quit>[CLR]
    
```

```

-INDIVI DIR-
STATION NAME
VERTEX
ID:-----
Set>[ENT] Quit>[CLR]
    
```

```

-INDIVI DIR-
STATION NAME
VERTEX
ID:1-----
Set>[ENT] Quit>[CLR]
    
```

ber and move one space to the right press the [ENT] key. Repeat this procedure until all nine spaces of the MMSI number are entered.

11. If a mistake was made entering in the name or the MMSI number, press the microphone's [H/L] key repeatedly until the wrong character is selected, then press the [▲(UP)] / [▼(DOWN)] keys to correct the entry.
12. To store the data entered, press and hold the [ENT] key.
13. To enter another individual address, repeat steps 4 through 12.
14. To exit this menu and return to radio operation mode press the [16/9] key.

```
—INDIVI DIR—  
STATION NAME  
VERTEX  
ID: 123456789  
Set>[ENT]  Quit>[CLR]
```

### 11.5.2 Setting up Individual Reply

Allows setting up the radio to automatically (default setting) or manually respond to a DSC Individual call requesting you to switch to a working channel for voice communications. When Manual is selected the MMSI of the calling vessel is shown allowing you to see who is calling. This function is similar to caller id on a cellular phone.

1. Press and hold down the [CALL(MENU)] key until "SETUP MENU" appears.
2. Press the [▲(UP)] / [▼(DOWN)] keys to select "DSC SETUP" menu.
3. Press the [ENT] key, then select "INDIV REPLY" with the [▲(UP)] / [▼(DOWN)] keys.
4. Press the [ENT]key.
5. Turn the [▲(UP)] / [▼(DOWN)] keys to select "AUTO" or "MANUAL."
6. Press the [ENT] key to store the selected setting.
7. To exit this menu and return to radio operation mode press the [16/9] key.

```
—SETUP MENU—  
▶RADIO SETUP  
DSC SETUP  
POS INPUT  
Set>[ENT]
```

```
—SETUP MENU—  
RADIO SETUP  
▶DSC SETUP  
POS INPUT  
>[CLR]
```

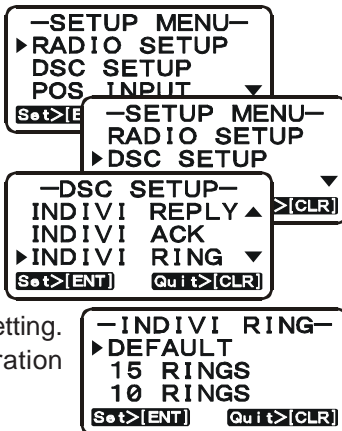
```
—DSC SETUP—  
INDIVI DIR  
▶INDIVI REPLY  
INDIVI ACK  
Set>[ENT]  Quit>[CLR]
```

```
—INDIVI REPLY—  
▶AUTO  
MANUAL  
Set>[ENT]  Quit>[CLR]
```

### 11.5.3 Setting up the Individual Call Ringer

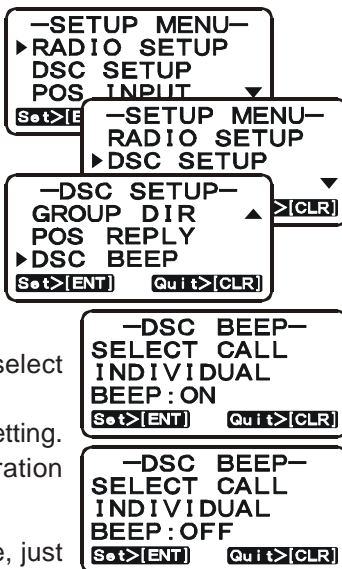
When a Individual Call is received the radio will produce a ringing tone for 3 minutes. This selection allows the Individual Call ringer time to be changed.

1. Press and hold down the [CALL(MENU)] key until "SETUP MENU" appears.
2. Press the [▲(UP)] / [▼(DOWN)] keys to select "DSC SETUP" menu.
3. Press the [ENT] key, then select "INDIV RING" with the [▲(UP)] / [▼(DOWN)] keys.
4. Press the [ENT] key.
5. Press the [▲(UP)] / [▼(DOWN)] keys to select ringing time of a Individual Call.
6. Press the [ENT] key to store the selected setting.
7. To exit this menu and return to radio operation mode press the [16/9] key.



The **GX1100S** has the capability to turn off the Individual call ringer.

1. Press and hold down the [CALL(MENU)] key until "SETUP MENU" appears.
2. Press the [▲(UP)] / [▼(DOWN)] keys to select "DSC SETUP" menu.
3. Press the [ENT] key, then select "DSC BEEP" with the [▲(UP)] / [▼(DOWN)] keys.
4. Press the [ENT] key.
5. Press the [▲(UP)] / [▼(DOWN)] keys to select "INDIVIDUAL" then press the [ENT] key.
6. Press the [▲(UP)] / [▼(DOWN)] keys to select "OFF."
7. Press the [ENT] key to store the selected setting.
8. To exit this menu and return to radio operation mode press the [16/9] key.



If you wish to return to enabling the ringer tone, just repeat the above procedure, pressing the [▲(UP)] / [▼(DOWN)] keys to select "ON" in step "6" above.

## 11.5.4 Transmitting an Individual Call

This feature allows the user to contact another vessel with a DSC radio and have the radio switch to another channel and ring like a telephone. This feature is similar to calling a vessel on CH16 and requesting to go to another channel.

### *Pre-Programmable Calling*

1. Press the [**CALL(MENU)**] key. The “DSC MENU” will appear.
2. Press the [**▲(UP)**] / [**▼(DOWN)**] keys to select “INDIVIDUAL”. (To cancel, press the [**16/9**] or [**CLR**] key.)
3. Press the [**ENT**] key. The transceiver will beep, and the “Individual directory” will appear.
4. Press the [**▲(UP)**] / [**▼(DOWN)**] keys to select the “Individual” you want to contact.
5. Press the [**ENT**] key, then press the [**▲(UP)**] / [**▼(DOWN)**] keys to select the operating channel you want to communicate on and press the [**ENT**] key.
6. Press the [**ENT**] key again to transmit the individual DSC signal.
7. After INDIVIDUAL CALL is transmitted, if the reply signal is not received, “WAIT FOR ACK” notation will show on the display. To send the call again, press the [**▼(DOWN)**] key followed by the [**ENT**] key.
8. When an individual call acknowledgment is received, the established channel is automatically changed to the channel which is selected on step 5 above and a ringing tone sounds.
9. Press the [**CLR(WX)**] key to listen to the channel to make sure it is not busy, then key the microphone and call the other vessel you desire to communicate with.

```

-DSC MENU-
▶ INDIVIDUAL
  GROUP
  ALL SHIPS ▼
[Set] > [ENT]   [Quit] > [CLR]
  
```

```

- INDIVIDUAL -
▶ MANUAL
  VERTEX
  STANDARD ▼
[Set] > [ENT]   [Quit] > [CLR]
  
```

```

- INDIVIDUAL -
  MANUAL
▶ VERTEX
  STANDARD ▼
[Set] > [ENT]   [Quit] > [CLR]
  
```

```

-SELECT CH-
▶ 06
  08
  09 ▼
[Set] > [ENT]   [Quit] > [CLR]
  
```

```

- INDIVIDUAL -
  VERTEX
  ROUTINE
  TRANSMIT
[Yes] > [ENT]   [No] > [CLR]
  
```

```

- INDIVIDUAL -
  VERTEX
  ROUTINE
  CH: 06
  TRANSMITTING
  
```

```

- INDIVIDUAL -
  VERTEX
  WAIT FOR ACK
  SINCE 0:01
[Quit] > [CLR]
  
```

```

- INDIVIDUAL -
  VERTEX
  CONNECTED
  SINCE 0:01
[Quit] > [CLR]
  
```

## Manual Calling

You may enter an MMSI number manually to contact without storing it in the Individual Directory.

1. Press the [CALL(MENU)] key. The “DSC MENU” will appear.
2. Press the [▲(UP)] / [▼(DOWN)] keys to select “INDIVIDUAL”. (To cancel, press the [16/9] or [CLR(WX)] key.)
3. Press the [ENT] key. The transceiver will beep, and the “Individual directory” will appear.
4. Press the [▲(UP)] / [▼(DOWN)] keys to select “MANUAL”, then press the [ENT] key.
5. Press the [▲(UP)] / [▼(DOWN)] keys to scroll through numbers, 0-9. To enter the desired number and move one space to the right, press the [ENT] key. Repeat this procedure until all nine spaces of the MMSI number which you want to contact are entered.
6. If a mistake was made entering in the MMSI number repeat pressing the microphone’s [H/L] key until the wrong number is selected, then move the channel knob to correct the entry.
7. When finished entering the MMSI number, press and hold the [ENT] key.
8. Press the [ENT] key, then press the [▲(UP)] / [▼(DOWN)] keys to select the operating channel you want to communicate on and press the [ENT] key.
9. Press the [ENT] key again to transmit the individual DSC signal.
10. After the INDIVIDUAL CALL is transmitted, if a reply signal is not received, “WAIT FOR ACK” notation will show on the display. To send the call again, press the [▼(DOWN)] key followed by the [ENT] key.
11. When an individual call acknowledgment is received, the established channel is automatically changed to the channel which is selected on step 8 above and a ringing tone sounds.
12. Press the [CLR(WX)] key to listen to the channel to make sure it is not busy, then key the microphone and call the other vessel you desire to communicate with.

```
—DSC MENU—  
▶ INDIVIDUAL  
GROUP  
ALL SHIPS ▼  
Set>[ENT] Quit>[CLR]
```

```
— INDIVIDUAL —  
▶ MANUAL  
VERTEX  
STANDARD ▼  
Set>[ENT] Quit>[CLR]
```

```
— INDIVIDUAL —  
INPUT MMSI  
ID : -----  
Set>[ENT] Quit>[CLR]
```

```
— INDIVIDUAL —  
INPUT MMSI  
ID : 234567891  
Set>[ENT] Quit>[CLR]
```

```
—SELECT CH—  
▶ 06  
08  
09 ▼  
Set>[ENT] Quit>[CLR]
```

```
— INDIVIDUAL —  
234567891  
ROUTINE  
TRANSMIT  
Yes>[ENT] No>[CLR]
```

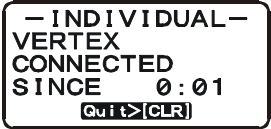
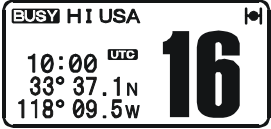
```
— INDIVIDUAL —  
234567891  
ROUTINE  
CH: 06  
TRANSMITTING
```

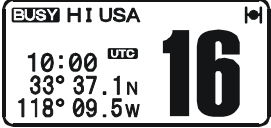
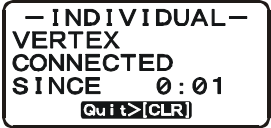
```
— INDIVIDUAL —  
234567891  
WAIT FOR ACK  
SINCE 0:01  
Quit>[CLR]
```

```
— INDIVIDUAL —  
234567891  
CONNECTED  
SINCE 0:01  
Quit>[CLR]
```

### 11.5.5 Receiving an Individual Call

When receiving an individual call, an acknowledgment must be sent back to the calling station. The **GX1100S** default setting is Automatic, but has a selection that allows you to manually send a reply before the radio will switch to the requested calling channel. This selection is useful if you want to see who is calling and requesting you to switch to a channel for communications, similar to caller id on a cellular phone.

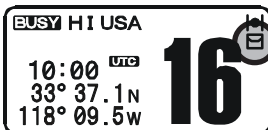
1. When an individual call is received, an individual call ringing alarm sounds. The display will show the MMSI (or name) of the vessel transmitting the Individual Call and the radio automatically switches to the requested channel.
2. Press any key to stop the alarm.
3. Press the **[CLR(WX)]** key to show the display of the operating channel number.
4. Press the **PTT** switch on the microphone and talk to the calling ship.





## 11.6 CALL WAITING DIRECTORY

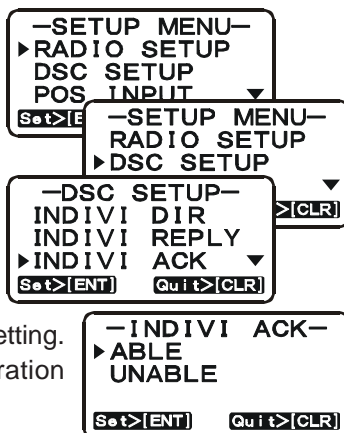
The **GX1100S** logs received Distress Calls and Individual Calls into the Call Waiting Directory for review at a later time. The DSC Call Waiting feature is similar to an answer machine where calls are recorded for review. When a call is logged while the radio is set on the DSC Standby function, a “☒” icon will appear on the display. The **GX1100S** can store up to the latest 20 Distress and up to the latest 38 Individual Calls.



### 11.6.1 Enabling/Disabling the Call Waiting Feature

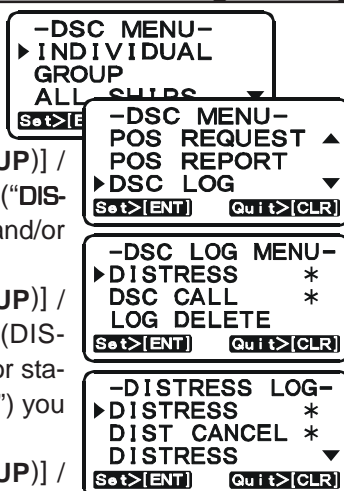
Follow the steps below to enable or disable the Call Waiting feature.

1. Press and hold down the [CALL(MENU)] key until “SETUP MENU” menu appears.
2. Press the [▲(UP)] / [▼(DOWN)] keys to select “DSC SETUP” menu.
3. Press the [ENT] key, then select “INDIV ACK” with the [▲(UP)] / [▼(DOWN)] keys.
4. Press the [ENT] key.
5. Press the [▲(UP)] / [▼(DOWN)] keys to select “ABLE” or “UNABLE”.
6. Press the [ENT] key to store the selected setting.
7. To exit this menu and return to radio operation mode press the [16/9] key.



### 11.6.2 Reviewing Received Calls Logged into the Call Waiting Directory

1. Press the [CALL(MENU)] key. The “DSC MENU” will appear.
2. Press the [▲(UP)] / [▼(DOWN)] keys to select “DSC LOG” menu.
3. Press the [ENT] key, then press the [▲(UP)] / [▼(DOWN)] keys to select the category (“DISTRESS” or “DSC CALL”) you want to review and/or call back.
4. Press the [ENT] key, then press the [▲(UP)] / [▼(DOWN)] keys to select the category (DISTRESS or DIST CANCEL: for “DISTRESS”) or station (name or MMSI number: for “DSC CALL”) you want to review and/or call back.
5. Press the [ENT] key, then press the [▲(UP)] /



- [▼(DOWN)] keys to review details for the selected category or station.
- If you review the DSC Call, press the [ENT] key again, to call the selected station if desired.
  - To exit Call Waiting Directory and return to radio operation mode press the [CLR] key.

```

-DISTRESS LOG-
DISTRESS
VERTEX
10:00
  
```

```

-DISTRESS LOG-
33° 35. 412N ▲
118° 07. 451W
10:00 [UTC]
Quit>[CLR]
  
```

### NOTE

When there is an unread received call, the “\*” icon will appear behind the unread category (“DISTRESS” or “DSC CALL”) and station name (or MMSI number).

### 11.6.3 To Delete the Received Log from the “DSC Log” Directory

- Press the [CALL(MENU)] key. The “DSC MENU” will appear.
- Press the [▲(UP)] / [▼(DOWN)] keys to select “DSC LOG” menu.
- Press the [ENT] key, then press the [▲(UP)] / [▼(DOWN)] keys to select “LOG DELETE”.
- Press the [ENT] key, then press the [▲(UP)] / [▼(DOWN)] keys to select the category (“DISTRESS” or “DSC CALL”) to be deleted.
- Press the [ENT] key, then press the [▲(UP)] / [▼(DOWN)] keys to select the category (DISTRESS or DIST CANCEL: for “DISTRESS”) or station (name or MMSI number: for “DSC CALL”) to be deleted.
- Press and hold the [ENT] key until the category or station (name or MMSI number) is removed from the display.
- To exit this menu and return to radio operation mode press the [CLR] key.

```

-DSC MENU-
▶INDIVIDUAL
GROUP
ALL SHIPS ▼
Set>[ENT] Quit>[CLR]
  
```

```

-DSC MENU-
POS REQUEST ▲
POS REPORT
▶DSC LOG ▼
Set>[ENT] Quit>[CLR]
  
```

```

-LOG DEL MENU-
▶DISTRESS
DSC CALL
Set>[ENT] Quit>[CLR]
  
```

```

-LOG DEL MENU-
▶DISTRESS ▲
DIST CANCEL
DISTRESS ▼
Set>[ENT] Quit>[CLR]
  
```

## 11.7 GROUP CALL

This feature allows the user to contact a group of specific vessels (example members of a yacht club) with a group MMSI number using the Group call function to automatically switch to a desired channel for voice communications.

### 11.7.1 Setting up a Group Call

For this function to operate the same Group MMSI must be programmed into all the DSC VHF radios within the group of vessels that will be using this feature. The group MMSI is a 9 digit (first digit permanently set to "0") number that will allow other radios to call your vessel along with others to automatically switch to a working channel for voice communications. This function is very useful for yacht clubs and vessels traveling together that want to collectively make announcements on a predetermined channel.

1. Press and hold down the [CALL(MENU)] key until "SETUP MENU" menu appears.
2. Press the [▲(UP)] / [▼(DOWN)] keys to select "DSC SETUP" menu.
3. Press the [ENT] key, then select "GROUP DIR" with the [▲(UP)] / [▼(DOWN)] keys.
4. Press the [ENT] key, then select "ADD" with the [▲(UP)] / [▼(DOWN)] keys.
5. Press the [CALL(MENU)] key.
6. Press the [▲(UP)] / [▼(DOWN)] keys to scroll through the first letter of the group name you want to reference in the directory.
7. Press the [ENT] key to store the first letter in the name and step to the next letter to the right.
8. Repeat step 6 and 7 until the name is complete. The name can consist of up to eleven characters, if you do not use all eleven characters press the [ENT] key to move to the next space. This method can also be used to enter a blank space in the name. To clear the previous letter, press the [CLR(WX)] key.
9. After the eleventh letter or space has been entered, press and hold the [ENT] key to advance to the MMSI number (Maritime Mobile Service Identity Number) entry.
10. Press the [▲(UP)] / [▼(DOWN)] keys to scroll through numbers, 0-9. To enter the desired number and move one space to the right press the [ENT]



key. Repeat this procedure until all nine space of the MMSI number are entered.

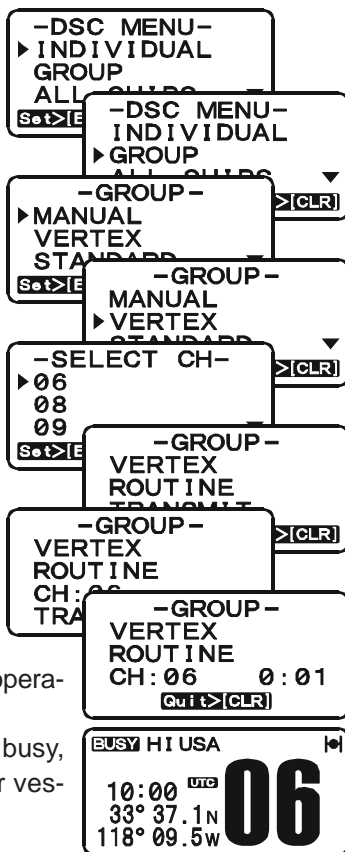
11. If a mistake was made entering in the name or the MMSI number repeat pressing the microphone's [H/L] key until the wrong character is selected, then press the [▲(UP)] or [▼(DOWN)] key to enter the correct letter or number.
12. To store the data entered, press and hold the [ENT] key.
13. To enter another individual address, repeat steps 4 through 12.
14. To exit this menu and return to radio operation mode press the [16/9] key.



### 11.7.2 Transmitting a Group Call

#### Pre-Programmable Calling

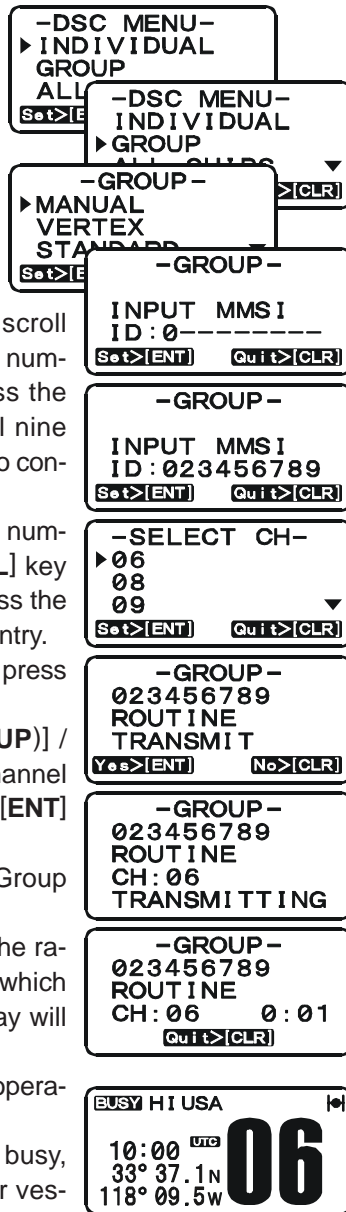
1. Press the [CALL(MENU)] key. The "DSC MENU" will appear.
2. Press the [▲(UP)] / [▼(DOWN)] keys to select "GROUP". (To cancel, press the [16/9] key or [CLR] key.)
3. Press the [ENT] key. The transceiver will beep, and the "Group Directory" will appear.
4. Press the [▲(UP)] / [▼(DOWN)] keys to select the "Group" you want to contact.
5. Press the [ENT] key, then press the [▲(UP)] / [▼(DOWN)] keys to select the operating channel you want to communicate on and press the [ENT] key.
6. Press the [ENT] key again to transmit the Group Call signal.
7. After the GROUP CALL is transmitted, all the radios in the group will switch to the channel which is selected on step 5 above (but, the display will not change).
8. Press the [CLR(WX)] key to return to radio operation mode.
9. Listen to the channel to make sure it is not busy, then key the microphone and call the other vessels you desire to communicate with.



## Manual Calling

You may enter an MMSI number manually to contact without the Setting up the Group call number.

1. Press the [**CALL(MENU)**] key. The “DSC MENU MENU” will appear.
2. Press the [**▲(UP)**] / [**▼(DOWN)**] keys to select “GROUP”. (To cancel, press the [**16/9**] key or [**CLR(WX)**] key.)
3. Press the [**ENT**] key. The transceiver will beep, and the “Group Directory” will appear.
4. Press the [**▲(UP)**] / [**▼(DOWN)**] keys to select “MANUAL”, then press the [**ENT**] key.
5. Press the [**▲(UP)**] / [**▼(DOWN)**] keys to scroll through numbers, 0-9. To enter the desired number and move one space to the right press the [**ENT**] key. Repeat this procedure until all nine space of the MMSI number which you want to contact are entered.
6. If a mistake was made entering in the MMSI number, repeat pressing the microphone’s [**H/L**] key until the wrong number is selected, then press the [**▲(UP)**] / [**▼(DOWN)**] keys to correct the entry.
7. When finish the entering the MMSI number, press and hold the [**ENT**] key.
8. Press the [**ENT**] key, then press the [**▲(UP)**] / [**▼(DOWN)**] keys to select the operating channel you want to communicate on and press the [**ENT**] key.
9. Press the [**ENT**] key again to transmit the Group Call signal.
10. After the GROUP CALL is transmitted, all the radios in the group will switch to the channel which is selected on step 5 above (but, the display will not change).
11. Press the [**CLR(WX)**] key to return to radio operation mod.
12. Listen to the channel to make sure it is not busy, then key the microphone and call the other vessels you desire to communicate with.



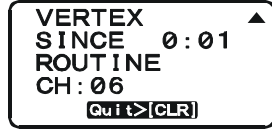
### 11.7.3 Receiving a Group Call

1. When a group call is received, the **GX1100S** will produce a ringing alarm sound.

The display will show the MMSI (or name) of the vessel transmitting the Group Call and the radio automatically switches to the requested channel (but, the display will not change).



2. Press any key to stop the alarm.
3. Press the [▼(DOWN)] key to display the “Nature of Call”.




4. Press the [CLR(WX)] key to display the operating channel number of the requested channel.
5. Monitor the channel for the person calling the Group for a message.



6. If you want to respond, monitor the channel to make sure it is clear, then press the **PTT** on the mic and talk to the calling ship(s).

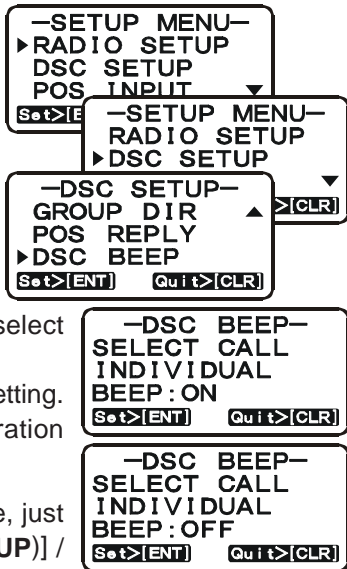
#### NOTE

- When there is an unread Group Call, the “” icon will appear on the display. You may review the unread Group Call from the DSC Log, refer to section “**11.6.2 Reviewing Received Calls Logged into the Call Waiting Directory.**”
- After a Group call is received, the time the call was made and the ships MMSI or vessels name will appear on the LCD.

### 11.7.4 Setting up the Group Call Ringer

The **GX1100S** has the capability to turn off the Group call ringer.

1. Press and hold down the [CALL(MENU)] key until "SETUP MENU" appears.
2. Press the [▲(UP)] / [▼(DOWN)] keys to select "DCS SETUP" menu.
3. Press the [ENT] key, then select "DCS BEEP" with the [▲(UP)] / [▼(DOWN)] keys.
4. Press the [ENT] key.
5. Press the [▲(UP)] / [▼(DOWN)] keys to select "GROUP" then press the [ENT] key.
6. Press the [▲(UP)] / [▼(DOWN)] keys to select "OFF".
7. Press the [ENT] key to store the selected setting.
8. To exit this menu and return to radio operation mode press the [16/9] key.



If you wish to return to enabling the ringer tone, just repeat the above procedure, pressing the [▲(UP)] / [▼(DOWN)] keys to select "ON" in step 6 above.

## 11.8 POSITION REQUEST

Advancements in DSC have made it possible to poll the location of another vessel and show the position of that vessel on the display of the **GX1100S**. Standard Horizon has taken this feature one step further, if any Standard Horizon GPS is connected to the **GX1100S**, the polled position of the vessel is shown on the display of the GPS chart plotter making it easy to navigate to the location of the polled vessel. This is a great feature for anyone wanting to know the position of another vessel. For example your friend that is catching fish, or finding the location of a person you are cruising with.

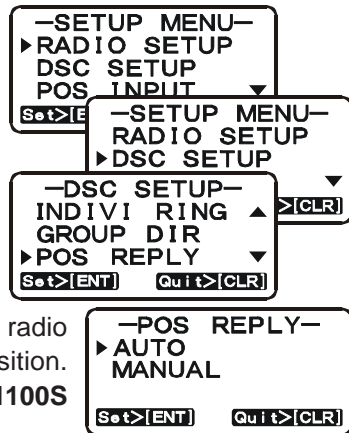
### NOTE

The other vessel must have an operating GPS receiver connected to its DSC transceiver and must not have its transceiver set to deny position requests. (Refer the section “**11.5.1 Setting up the Individual / Position Call Directory**” to enter information into the individual directory).

### 11.8.1 Setting up Position Reply

The **GX1100S** can be set up to automatically or manually send your position to another vessel. This selection is important if you are concerned about someone polling the position of your vessel that you may not want to. In the manual mode you will see the MMSI or persons name shown on the display allowing you to choose to send your position to the requesting vessel.

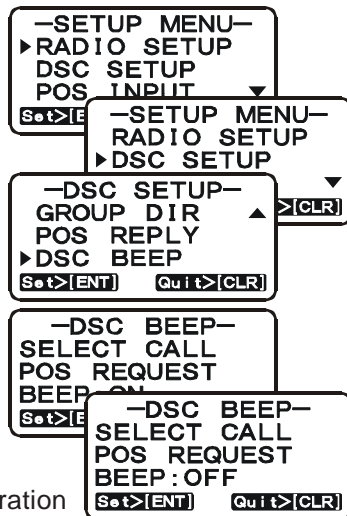
1. Press and hold down the [**CALL(MENU)**] key until “**SETUP MENU**” appear.
2. Press the [**▲(UP)**] / [**▼(DOWN)**] keys to select “**DSC SETUP**” menu.
3. Press the [**ENT**] key, then select “**POS REPLY**” with the [**▲(UP)**] / [**▼(DOWN)**] keys.
4. Press the [**ENT**] key.
5. Press the [**▲(UP)**] / [**▼(DOWN)**] keys to select “**AUTO**” or “**MANUAL**”. In “**AUTO**” mode, after a DSC POS Request is received, the radio will automatically transmit your vessels position. In “**MANUAL**” mode, the display of the **GX1100S** will show who is requesting the position.
6. Press the [**ENT**] key to store the selected setting.
7. To exit this menu and return to radio operation mode press the [**16/9**] key.





The **GX1100S** has the capability to turn off the Position Request ringer.

1. Press and hold down the [CALL(MENU)] key until "SETUP MENU" appears.
2. Press the [▲(UP)] / [▼(DOWN)] keys to select "DSC SETUP" menu.
3. Press the [ENT] key, then select "DSC BEEP" with the [▲(UP)] / [▼(DOWN)] keys.
4. Press the [ENT] key.
5. Press the [▲(UP)] / [▼(DOWN)] keys to select "POS REQUEST".
6. Press the [ENT] key.
7. Press the [▲(UP)] / [▼(DOWN)] keys to select "OFF".
8. Press the [ENT] key to store the selected setting.
9. To exit this menu and return to radio operation mode press the [16/9] key.

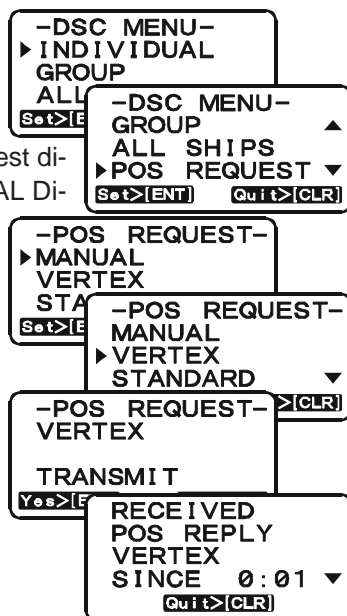


If you wish to return to enabling the ringer tone, just repeat the above procedure, pressing the [▲(UP)] / [▼(DOWN)] keys to select "ON" in step "7" above.

## 11.8.2 Transmitting a Position Request to Another Vessel

### *Pre-Programmable Request*

1. Press the [CALL(MENU)] key. The "DSC MENU" will appear in the display.
2. Press the [▲(UP)] / [▼(DOWN)] keys to select "POS REQUEST".
3. Press [ENT] key to show the Position request directory. This directory uses the INDIVIDUAL Directory information.
4. Press the [▲(UP)] / [▼(DOWN)] keys to select a name, then press the [ENT] key.
5. Press the [ENT] key to transmit the position request DSC call.
6. When the **GX1100S** receives the position from the polled vessel, the **GX1100S** will produce a ringing alarm sound and the position from the polled vessel transferred to the GPS Chart plotter.
7. Press any key to stop the alarm.



- Press the [▼(DOWN)] key to show the position from the polled vessel transferred on the display.
- If the **GX1100S** does not receive a reply, the display will be as shown in the illustration on the right. To send again, press the [ENT] key.

```

-POS INFO- ▲
33° 35. 412N
118° 07. 451W
10:00 [UTC]
Quit>[CLR]

```

```

-POS REQUEST-
VERTEX
WAIT FOR ACK
SINCE 0:01
Quit>[CLR]

```

### NOTE

If the **GX1100S** does not receive position data from the polled vessel, the LCD will show “NO POSITION DATA.”

### Manual Request

You may enter an MMSI number manually to contact without the Setting up the Individual / Position Call Directory.

- Press the [CALL(MENU)] key. The “DSC MENU” will appear in the display.
- Press the [▲(UP)] / [▼(DOWN)] keys to select “POS REQUEST”.
- Press [ENT] key to show the Position request directory. This directory uses the INDIVIDUAL Directory information.
- Press the [▲(UP)] / [▼(DOWN)] keys to select the “MANUAL”, then press the [ENT] key.
- Press the [▲(UP)] / [▼(DOWN)] keys to scroll through numbers, 0-9. To enter the desired number and move one space to the right press the [ENT] key. Repeat this procedure until all nine space of the MMSI number which you want to contact are entered.
- If a mistake was made entering in the MMSI number repeat pressing the microphone’s [H/L] key until the wrong number is selected, then press the [▲(UP)] / [▼(DOWN)] keys to correct the entry.
- When finished entering the MMSI number, press and hold the [ENT] key.
- Press the [ENT] key to transmit the position request DSC call.
- When the **GX1100S** receives the position from the polled vessel, the **GX1100S** will produce a ringing

```

-DSC MENU-
▶INDIVIDUAL
GROUP
ALL SHIPS ▼
Set>[ENT] Quit>[CLR]

```

```

-DSC MENU-
GROUP ▲
ALL SHIPS
▶POS REQUEST ▼
Set>[ENT] Quit>[CLR]

```

```

-POS REQUEST-
▶MANUAL
VERTEX
STANDARD ▼
Set>[ENT] Quit>[CLR]

```

```

-POS REQUEST-
INPUT MMSI
ID:-----
Set>[ENT] Quit>[CLR]

```

```

-POS REQUEST-
INPUT MMSI
ID:234567891
Set>[ENT] Quit>[CLR]

```

```

-POS REQUEST-
234567891
TRANSMIT
Yes>[ENT] No>[CLR]

```

alarm sound and the position from the polled vessel transferred to the GPS Chart plotter.

10. Press any key to stop the alarm.
11. Press the [**▼(DOWN)**] key to show the position from the polled vessel transferred on the display.
12. If the **GX1100S** does not receive a reply, the display will be as shown in the illustration on the right. To send again, press the [**ENT**] key.

```
RECEIVED
POS REPLY
234567891
SIN
```

```
-POS INFO- ▲
33° 35. 412N
118° 07. 451W
10:00 [UTC]
Quit>[CLR]
```

```
-POS REQUEST-
234567891
WAIT FOR ACK
SINCE 0:01
Quit>[CLR]
```

### 11.8.3 Receiving a Position Request

When a position request call is received from another vessel, a ringing alarm will sound and POS REQUEST will be shown in the LCD. Operation and transceiver function differs depending on “POS REPLY” in the “DSC SETUP” menu setting.

#### ***Automatically reply:***

1. When a position request call is received, a calling alarm sounds 5 times. Then requested position coordinates are transmitted automatically to the vessel requesting your vessels position.
2. To exit from position request display, press the [**CLR**] key.

```
RECEIVED
POS REQUEST
VERTEX
SINCE 0:01
Quit>[CLR]
```

#### ***Manually reply:***

1. When a position request call is received from another vessel, the **GX1100S** will produce a ringing alarm sound and the LCD will be as shown in the illustration at the right.
2. Press any key to stop the alarm.
3. Press the [**ENT**] key to send your position to the requesting vessel, or press the [**CLR(WX)**] key.
4. To exit from position request display, press the [**16/9**] key.

```
RECEIVED
POS REQUEST
VERTEX
SINCE 0:01
Reply>[ENT] Quit>[CLR]
```

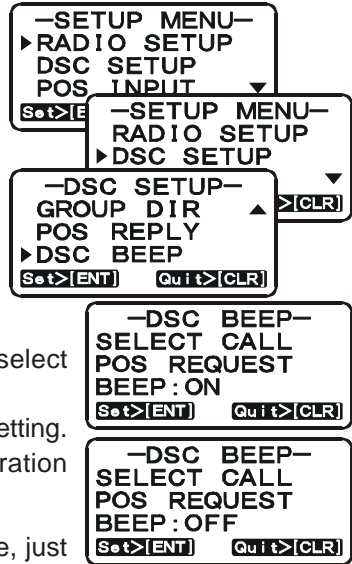
## 11.9 POSITION REPORT

The feature is similar to Position Request, however instead of requesting a position of another vessel this function allows you to send your position to another vessel. In order to send your position you need to have a GPS receiver connected or to have manually input your position. See section “11.11 MANUAL INPUTTING OF THE GPS LOCATION.”

### 11.9.1 Setting up a Position Report Ringer

The **GX1100S** has the capability to turn off the Position Report ringer.

1. Press and hold down the [CALL(MENU)] key until “SETUP MENU” appears.
2. Press the [▲(UP)] / [▼(DOWN)] keys to select “DSC SETUP” menu.
3. Press the [ENT] key, then select “DSC BEEP” with the [▲(UP)] / [▼(DOWN)] keys.
4. Press the [ENT] key.
5. Press the [▲(UP)] / [▼(DOWN)] keys to select “POSITION REPORT”.
6. Press the [ENT] key.
7. Press the [▲(UP)] / [▼(DOWN)] keys to select “OFF”.
8. Press the [ENT] key to store the selected setting.
9. To exit this menu and return to radio operation mode press the [16/9] key.

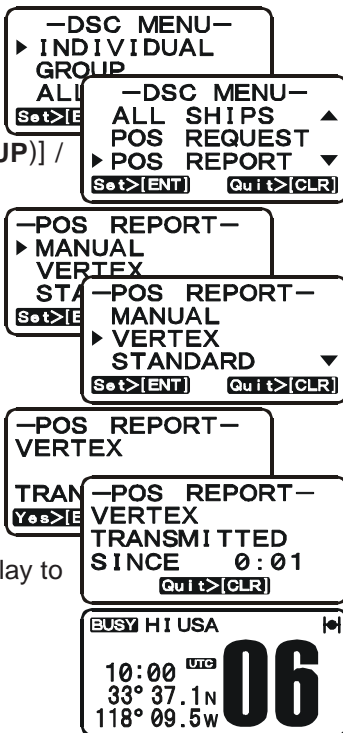


If you wish to return to enabling the ringer tone, just repeat the above procedure, pressing the [▲(UP)] / [▼(DOWN)] keys to select “ON” in step “7” above.

## 11.9.2 Transmitting a DSC Position Report Call

### Pre-Programmable Calling

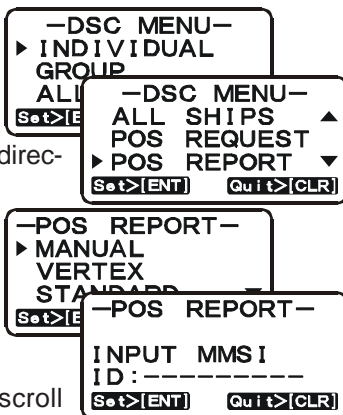
1. Press the [CALL(MENU)] key. The “DSC MENU” will appear in the display.
2. Press the [▲(UP)] / [▼(DOWN)] keys to select the “POS REPORT”.
3. Press the [ENT] key, then press the [▲(UP)] / [▼(DOWN)] keys to select the category (“ROUTINE” or “SAFETY”) for the Position Report Call.
4. Press the [ENT] key to show the Position Request Directory. This directory uses the Individual Directory information.
5. Press the [▲(UP)] / [▼(DOWN)] keys to select a “Individual” you want to send your position to, then press the [ENT] key.
6. Press the [ENT] key again to send your position to the selected vessel.
7. Press the [CLR(WX)] key to return the display to the radio operation mode display.



### Manual Calling

You may enter an MMSI number manually to call without Setting up the Individual / Position Call Directory.

1. Press the [CALL(MENU)] key. The “DSC MENU” will appear in the display.
2. Press the [▲(UP)] / [▼(DOWN)] keys to select the “POS SREPORT”.
3. Press [ENT] key to show the Position Send directory. This directory uses the INDIVIDUAL Directory information.
4. Press the [▲(UP)] / [▼(DOWN)] keys to select “MANUAL”, then press the [ENT] key.
5. Enter the MMSI number (nine digits) which you want to contact.  
Press the [▲(UP)] / [▼(DOWN)] keys to scroll through numbers, 0-9. To enter the desired number and move one space to the right, press the [ENT] key. Repeat this



procedure until all nine spaces of the MMSI number which you want to contact are entered.

6. If a mistake was made entering in the MMSI number repeat pressing the microphone's [H/L] key until the wrong number is selected, then move the channel knob to correct the entry.
7. When finished entering the MMSI number, press and hold the [ENT] key.
8. Press the [ENT] key to send your position to the selected vessel.
9. Press the [CLR(WX)] key to return the display to the radio operation mode display.

```

-POS REPORT-
INPUT MMSI
ID: 234567891
[Set]>[ENT]   [Quit]>[CLR]
  
```

```

-POS REPORT-
234567891
TRANSMIT
[Yes]>[ENT]   [No]>[CLR]
  
```

```

-POS REPORT-
234567891
TRANSMITTED
SINCE 0:01
[Quit]>[CLR]
  
```

```

BUSY HI USA
10:00 UTC
33° 37.1N
118° 09.5W 06
  
```

### 11.9.3 Receiving a DSC Position Report Call

When another vessel transmits their location to the **GX1100S** the following will happen:

1. When the Position Report Call is received, a ringing sound will be produced and the display shows received data. The **GX1100S** will also output NMEA sentences (DSC and DSE) to a connected GPS Chart Plotter.
2. Press any key to stop ringing.
3. Press the [▲(UP)] / [▼(DOWN)] keys to change the display to view the received data.
4. Press the [CLR(WX)] key to return the display to the radio operation mode display.

```

RECEIVED
POS REPORT
STANDARD
SINCE 0:01 ▼
[Quit]>[CLR]
  
```

```

-POS INFO- ▲
33° 35.412N
118° 07.451W
10:00 [UTC]
[Quit]>[CLR]
  
```

```

BUSY HI USA
10:00 UTC
33° 37.1N
118° 09.5W 06
  
```

## 11.10 DSC TRANSMISSION TEST

Use the following procedure to ensure the DSC feature are functioning with another DSC radio.

1. Press the [CALL(MENU)] key. The "DSC MENU" will appear in the display.
2. Press the [▲(UP)] / [▼(DOWN)] keys to select the "DSC TEST".
3. Press the [ENT] key, then select the station (name or MMSI number) to be sent the test signal with the [▲(UP)] / [▼(DOWN)] keys. This directory uses the Individual Directory information.
4. If "Manual" is selected at the previous step, enter the MMSI number (nine digits) which you want to send the test signal. To do this, press the [▲(UP)] / [▼(DOWN)] keys to scroll through numbers "0-9," then press the [ENT] key to move the entry location to the right. If a mistake was made entering in the MMSI number, repeat pressing the microphone's [H/L] key until the wrong number is selected, then press the [▲(UP)] / [▼(DOWN)] keys to correct the entry. When finished entering the MMSI number, press and hold the [ENT] key.
5. Press the [ENT] key again to transmit the Test signal.
6. After DSC TEST CALL is transmitted, if the reply signal is not received, "WAIT FOR ACK" notation will show on the display.
7. When an acknowledgment is received, a ringing tone sounds and the display shows received data.
8. Press the [CLR(WX)] key to return the display to the radio operation mode display.

```

-DSC MENU-
▶ INDIVIDUAL
  GROUP
  ALL SHIPS ▼
Set>[ENT]  Quit>[CLR]
  
```

```

-DSC MENU-
  POS REPORT ▲
  DSC LOG
▶ DSC TEST ▼
Set>[ENT]  Quit>[CLR]
  
```

```

-TEST-
  MANUAL
▶ VERTEX
  STANDARD ▼
Set>[ENT]  Quit>[CLR]
  
```

```

-TEST-
  VERTEX
  TRANSMIT
Yes>[ENT]  No>[CLR]
  
```

```

-TEST-
  VERTEX
  WAIT FOR ACK
  SINCE 0:01
Quit>[CLR]
  
```

```

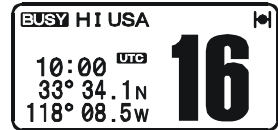
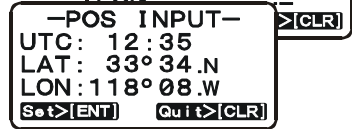
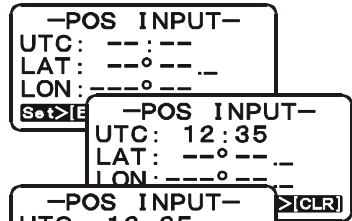
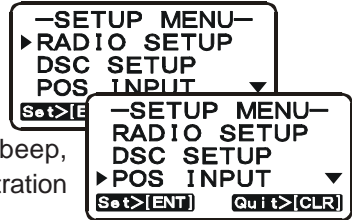
RECEIVED
  TEST ACK
  VERTEX
  SINCE 0:01
Quit>[CLR]
  
```

## 11.11 MANUAL INPUTTING OF THE GPS LOCATION (LAT/LON)

You may send the Latitude/Longitude of your vessel manually even if the **GX1100S** is not connected the GPS receiver unit.

After the position is entered, transmitting a DSC Distress, Position Request, or Position Send will contain the manually entered position.

1. Press and hold down the [CALL(MENU)] key until "SETUP MENU" appears.
2. Press the [▲(UP)] / [▼(DOWN)] keys to select "POS INPUT" menu.
3. Press the [ENT] key. The transceiver will beep, and the display will be as shown in the illustration on the right.
4. Enter the time in 24 hour format on the UTC time. Use the [ENT] and the microphone's [H/L] key to navigate to each column of the time, then use the [▲(UP)] / [▼(DOWN)] keys to select the desired numbers in each column. Repeat for each column, to complete the time.
5. Enter the Latitude/Longitude of your vessel location with the same procedure as description above.
6. To store the data entered, press the [ENT] key. To exit this menu and return to radio mode press the [16/9] key.





## 12 RADIO SETUP

### 12.1 LAMP ADJUSTING

Allows adjustment of the backlight intensity or to turn it off.

1. Press and hold down the [CALL(MENU)] key until "SETUP MENU" appears.
2. Press the [ENT] key, then select "DIMMER" in the "RADIO SETUP" menu with the [▲(UP)] / [▼(DOWN)] keys.
3. Press the [ENT] key.
4. Press the [▲(UP)] / [▼(DOWN)] keys to select the desired level. When "OFF" is selected, the lamp is extinguished.
5. Press the [ENT] key to store the selected level.
6. To exit this menu and return to radio operation mode press the [16/9] key.

```
—SETUP MENU—  
▶RADIO SETUP  
DSC SETUP  
POS INPUT ▼  
Set>[ENT] Quit>[CLR]
```

```
—RADIO SETUP—  
▶DIMMER  
CONTRAST  
TIME OFFSET ▼  
Set>[ENT] Quit>[CLR]
```

```
—DIMMER—  
▶HIGH  
6  
5 ▼  
Set>[ENT] Quit>[CLR]
```

### 12.2 LCD CONTRAST

This selection sets up the display for best viewability for the varying mounting locations (overhead or below).

1. Press and hold down the [CALL(MENU)] key until "SETUP MENU" appears.
2. Press the [ENT] key, then select "CONTRAST" in the "RADIO SETUP" menu with the [▲(UP)] / [▼(DOWN)] keys.
3. Press the [ENT] key.
4. Press the [▲(UP)] / [▼(DOWN)] keys to select the desired level. The contrast level can be set from "00" to "24".
5. Press the [ENT] key to store the selected level.
6. To exit this menu and return to radio operation mode press the [16/9] key.

```
—SETUP MENU—  
▶RADIO SETUP  
DSC SETUP  
POS INPUT ▼  
Set>[ENT] Quit>[CLR]
```

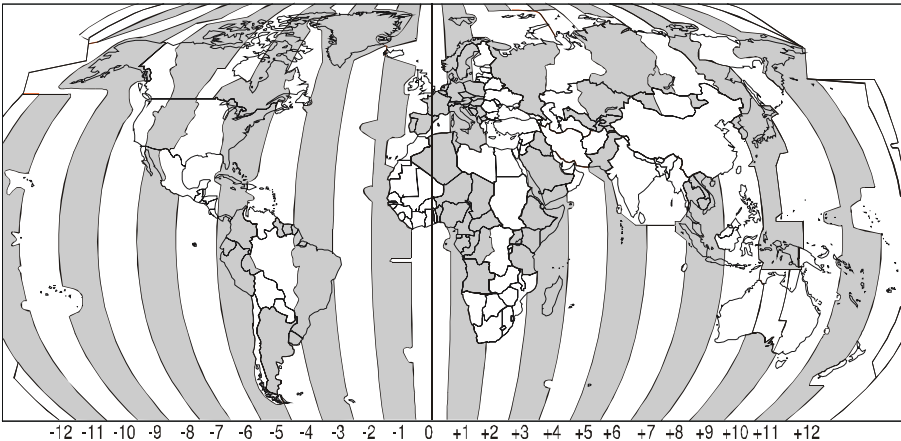
```
—RADIO SETUP—  
DIMMER  
▶CONTRAST  
TIME OFFSET ▼  
Set>[ENT] Quit>[CLR]
```

```
—CONTRAST—  
14 ▲  
13  
▶12 ▼  
Set>[ENT] Quit>[CLR]
```

## 12.3 TIME OFFSET

This selection sets the time offset between local time and UTC (time GPS sends to radio).

1. Press and hold down the [CALL(MENU)] key until "SETUP MENU" appears.
2. Press the [ENT] key, then select "TIME OFFSET" in the "RADIO SETUP" menu with the [▲(UP)] / [▼(DOWN)] keys.
3. Press the [ENT] key.
4. Press the [▲(UP)] / [▼(DOWN)] keys to select time offset from UTC. See illustration below to find your offset time from UTC. If "00:00" is assigned, the time is the same as UTC (Universal Time Coordinated or GMT Greenwich Mean Time).
5. Press the [ENT] key to store the time offset.
6. To exit this menu and return to radio operation mode press the [16/9] key.



UTC/GMT  
↑  
**OFFSET TIME TABLE**

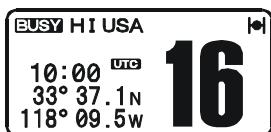
## 12.4 TIME DISPLAY

This selection selects the time display between local time and UTC (time GPS sends to radio).

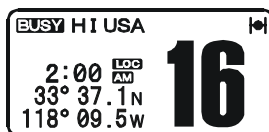
1. Press and hold down the [CALL(MENU)] key until "SETUP MENU" appears.
2. Press the [ENT] key, then select "TIME DISPLAY" in the "RADIO SETUP" menu with the [▲(UP)] / [▼(DOWN)] keys.
3. Press the [ENT] key.
4. Press the [▲(UP)] / [▼(DOWN)] keys. to select "UTC" or "LOCAL".
5. Press the [ENT] key to store the selected setting.
6. To exit this menu and return to radio operation mode press the [16/9] key.



In the Local time mode, the display shows the time in 12 hour or when UTC time is selected will show time in 24 hour format.



("UTC" mode)



("LOCAL" mode)

## 12.5 PRIORITY CHANNEL SET

Allows selection of the priority channel.

1. Press and hold down the [CALL(MENU)] key until "SETUP MENU" appears.
2. Press the [ENT] key, then select "PRIORITY CH" in the "RADIO SETUP" menu with the [▲(UP)] / [▼(DOWN)] keys.
3. Press the [ENT] key.
4. Press the [▲(UP)] / [▼(DOWN)] keys to select the channel to be a priority.
5. Press the [ENT] key to store the selected setting.
6. To exit this menu and return to radio operation mode press the [16/9] key.



## 12.6 SCAN TYPE

This selection selects the scan mode between “Memory Scan” and “Priority Scan.”

1. Press and hold down the [CALL(MENU)] key until “SETUP MENU” appears.
2. Press the [ENT] key, then select “SCAN TYPE” in the “RADIO SETUP” menu with the [▲(UP)] / [▼(DOWN)] keys.
3. Press the [ENT] key.
4. Press the [▲(UP)] / [▼(DOWN)] keys to select “PRIORITY SCAN” or “MEMORY SCAN”.
5. Press the [ENT] key to store the selected setting.
6. To exit this menu and return to radio operation mode press the [16/9] key.

```
—SETUP MENU—  
▶ RADIO SETUP  
DSC SETUP  
POS INPUT ▼  
Set>[ENT] Quit>[CLR]
```

```
—RADIO SETUP—  
TIME DISPLAY▲  
PRIORITY CH  
▶ SCAN TYPE ▼  
Set>[ENT] Quit>[CLR]
```

```
—SCAN TYPE—  
▶ PRIORITY SCAN  
MEMORY SCAN  
Set>[ENT] Quit>[CLR]
```

## 12.7 KEY BEEP (ON/OFF)

This section allows the level of the key beep to be adjusted or turned off.

1. Press and hold down the [CALL(MENU)] key until “SETUP MENU” appears.
2. Press the [ENT] key, then select “KEY BEEP” in the “RADIO SETUP” menu with the [▲(UP)] / [▼(DOWN)] keys.
3. Press the [ENT] key.
4. Press the [▲(UP)] / [▼(DOWN)] keys to select desired beep level.
5. Press the [ENT] key to set the key beep condition.
6. To exit this menu and return to radio operation mode press the [16/9] key.

```
—SETUP MENU—  
▶ RADIO SETUP  
DSC SETUP  
POS INPUT ▼  
Set>[ENT] Quit>[CLR]
```

```
—RADIO SETUP—  
PRIORITY CH ▲  
SCAN TYPE  
▶ KEY BEEP ▼  
Set>[ENT] Quit>[CLR]
```

```
—KEY BEEP—  
LEVEL 5 ▲  
LEVEL 4  
▶ LEVEL 3 ▼  
Set>[ENT] Quit>[CLR]
```

### NOTE

Emergency alarm and beeps for DSC operation cannot be turned OFF.

## 12.8 WX ALERT

This selection allows the radios NOAA Weather alert to be turned off. Default setting is ON.

1. Press and hold down the [CALL(MENU)] key until "SETUP MENU" appears.
2. Press the [ENT] key, then select "WX ALERT" in the "RADIO SETUP" menu with the [▲(UP)]/[▼(DOWN)] keys.
3. Press the [ENT] key.
4. Press the [▲(UP)]/[▼(DOWN)] keys to select the desired Weather Alert mode.

```
—SETUP MENU—  
▶ RADIO SETUP  
DSC SETUP  
POS INPUT ▼  
Set>[ENT] Quit>[CLR]
```

```
—RADIO SETUP—  
SCAN TYPE ▲  
KEY BEEP  
▶ WX ALERT  
Set>[ENT] Quit>[CLR]
```

**ON WX CH:** Emits a load beep when the Weather Alert is received while receiving the Weather channel.

**ON SCAN:** Emits a load beep when the Weather Alert is received while scanning the Weather channels.

**ON WX/SCAN:** Emits a load beep when the Weather Alert is received while receiving the Weather channel and/or scanning the Weather channels.

**Off:** Disable the Weather Alert function.

5. Press the [ENT] key to store the selected setting.
6. To exit this menu and return to radio operation mode press the [16/9] key.

```
—WX ALERT—  
ON SCAN ▲  
ON WX CH/SCAN  
▶ OFF  
Set>[ENT] Quit>[CLR]
```

## 13 MAINTENANCE

The inherent quality of the solid-state components used in this transceiver will provide many years of continuous use. Taking the following precautions however, will prevent damage to the transceiver.

- Keep the microphone connected or the jack covered at all times to prevent corrosion of electrical contacts;
- Never key the microphone unless an antenna or suitable dummy load is connected to the transceiver.
- Ensure that the supply voltage to the transceiver does not exceed 16 VDC or fall below 11 VDC.
- Use only STANDARD HORIZON-approved accessories and replacement parts.

In the unlikely event of serious problems, please contact your Dealer or our repair facility.

### 13.1 REPLACEMENT PARTS

Occasionally an owner needs a replacement mounting bracket or knob.

These can be ordered from our Parts Department by writing or calling (in USA or Canada), or Standard Horizon/Vertex Standard authorized dealers (outside USA or Canada).

#### **Marine Division of Vertex Standard**

US Headquarters

10900 Walker Street, Cypress, CA 90630, U.S.A.

Telephone (714) 827-6800

Commonly requested parts, and their part numbers are listed below.

- **Power Cord:** T9025406
- **VOL/SQL Knob (Black):** RA0757600
- **VOL/SQL Knob (White):** RA0763500
- **Mounting Bracket (Black):** RA0784000
- **Mounting Bracket (White):** RA0784100
- **Mounting Bracket Knob (Black):** RA045910A
- **Mounting Bracket Knob (White):** RA043770A
- **Microphone Hanger (Black):** RA0458800
- **Microphone Hanger (White):** RA0436000

## 13.2 FACTORY SERVICE

In the unlikely event that the radio fails to perform or needs servicing, please contact Marine Division of Vertex Standard (in USA or Canada) or Standard Horizon/Vertex Standard authorized dealers (outside USA or Canada).

An “RA” Return Authorisation number is not necessary to send a product in for service. Include a brief note describing the problem along with your name, return address, phone number, and proof of purchase.

## 13.3 TROUBLESHOOTING CHART

SYMPTOM	PROBABLE CAUSE	REMEDY
Transceiver fails to power up.	No DC voltage to the transceiver, or blown fuse.	a. Check the 12VDC battery connections and the fuse. b. The <b>VOL</b> knob needs to be rotated clockwise to turn the radio on.
Transceiver blows fuse when connected to power supply.	Reversed power wires.	Check the power cable for DC voltage, or replace the fuse (6A 250V). Make sure the red wire is connected to the positive (+) battery post, and the black wire is connected to the negative (-) battery post. If the fuse still blows, contact your Dealer.
Popping or whining noise from the speaker while engine runs.	Engine noise.	Reroute the DC power cables away from the engine. Add noise suppressor on power cable. Change to resistive spark plug wires and/or add an alternator whine filter.
Sound is not emitted from the internal or external speaker.	Accessory cable.	Check the connections of the accessory cable (Possible short circuit on the External speaker cable WHITE/SHIELD).
Receiving station report low transmit power, even with transceiver set to HI power.	Antenna.	Have the antenna checked or test the transceiver with another antenna. If the problem persists, contact your Dealer for servicing.
“HI BATTERY” or “LO BATTERY” message is appeared when the power is turned on.	The power supply voltage is too high or too low.	Confirm that the connected power supply voltage is between 10 volts and 17 volts DC. Confirm that the generator has not malfunctioned.
Your position is not displayed.	Accessory cable.	Check the accessory cable connection. Some GPS use the battery ground line for NMEA connection.
	Setting of the GPS navigation receiver.	Check the output signal format of the GPS navigation receiver. This radio requires NMEA0183 format with GLL, RMC, GGA, or GNS sentence as an output signal. If the GPS has a baud rate setting make sure to select 4800 and parity to NONE.

## 14 CHANNEL ASSIGNMENTS

Tables on the following columns list the VHF Marine Channel assignments for U.S.A. and International use. Below are listed some data about the charts.

1. VTS. Where indicated, these channels are part of the U.S. Coast Guard's **Vessel Traffic System**.
2. Alpha channel numbers, that is, channel numbers followed by the letter A (such as Channel 07A) are **simplex** channels on the U.S.A. or Canadian channel assignments whose counterparts in the International assignments are **duplex** channels. International channels do not use "alpha" numbers. If you call the Coast Guard on Channel 16, they will sometimes ask you to "**go to channel 22 Alpha**." This is a channel assigned to U.S.A. and Canadian Coast Guards for handling distress and other calls. If your radio is set for **International** operation you will go to Channel 22 instead of 22A, and will not be able to communicate with the Coast Guard. To use Channel 22A, your radio must be set for **USA** or **Canada** operation, usually by a U/I/C (USA/International/Canada) control or combination of controls. Channel 22 (without an "A") is an **International** duplex channel for port operations. Some radios indicate an "A" adjacent to the alpha channels on the display; on others "alpha" is not indicated but the proper channel is selected based on the U/I/C setting.
3. Bridge-to-Bridge channels (for example, Channel 13) are for use by bridge operators on intercoastal waterways and rivers. It is also used by marine vessels in the vicinity of these bridges for navigation and for communicating with the bridge operators. Note that a limit of 1 Watt is specified for these channels. See page 24 for additional information.
4. The **S/D** column on the chart indicates either S (simplex) or D (duplex). **Simplex** means transmitting and receiving on the same frequency. Only one party at a time can talk, unlike a telephone. Be sure to say "**over**" and release your microphone push-to-talk switch at the end of each transmission. **Duplex** operation involves the use of one frequency for transmitting and a separate frequency for receiving. On channels specified as duplex on the charts, correct mode of operation is established automatically by your radio when you select a channel; you cannot change the mode. And you still must release the push-to-talk switch after each transmission in order to listen to the radio.
5. Channels normally used by recreational boaters are those that include the term "non-commercial" in the **Channel Use** column of the chart. Some of these are shared with other users and some are used only in certain geographic regions.
6. Marine vessels equipped with VHF radios are required to monitor Channel 16.



VHF MARINE CHANNEL CHART							
CH	U	C	I	S/D	TX	RX	CHANNEL USE
01		X	X	D	156.050	160.650	Public Correspondence (Marine Operator)
01A	X			S	156.050		Port Operation and Commercial. VTS in selected areas
02		X	X	D	156.100	160.700	Public Correspondence (Marine Operator)
03		X	X	D	156.150	160.750	Public Correspondence (Marine Operator)
<b>03A</b>	<b>X</b>			<b>S</b>	<b>156.150</b>		<b>U.S. Government Only, Coast Guard</b>
04			X	D	156.200	160.800	Public Correspondence (Marine Operator), Port operation, ship movement
04A		X		S	156.200		Pacific coast: Coast Guard, East Coast: Commercial fishing
05			X	D	156.250	160.850	Public Correspondence (Marine Operator), Port operation, ship movement
05A	X	X		S	156.250		Port operation. VTS in Seattle
06	X	X	X	S	156.300		Inter-ship Safety
07			X	D	156.350	160.950	Public Correspondence (Marine Operator), Port operation, ship movement
07A	X	X		S	156.350		Commercial
08	X	X	X	S	156.400		Commercial (Inter-ship only)
09	X	X	X	S	156.450		Boater Calling channel, Commercial & Non-commercial (Recreational)
10	X	X	X	S	156.500		Commercial
11	X	X	X	S	156.550		Commercial. VTS in selected areas.
12	X	X	X	S	156.600		Port operation. VTS in selected areas.
13	X	X	X	S	156.650		Inter-ship Navigation Safety (Bridge-to-bridge)
14	X	X	X	S	156.700		Port operation. VTS in selected areas.
15	X			S	- - -	156.750	Environmental (Receive only)
15		X	X	S	156.750		Commercial, non-commercial, ship movement (1 W)
16	X	X	X	S	156.800		International Distress, Safety and Calling
17	X	X	X	S	156.850		State Controlled (1 W)
18			X	D	156.900	161.500	Port operation, ship movement
18A	X	X		S	156.900		Commercial
19			X	D	156.950	161.550	Port operation, ship movement
19A	X			S	156.950		US: Commercial
19A		X		S	156.950		Coast Guard
20	X	X	X	D	157.000	161.600	Canadian Coast Guard Only, International: port operations and shipment
20A	X			S	157.000		Port operation
21			X	D	157.050	161.650	Port operation, ship movement
<b>21A</b>	<b>X</b>	<b>X</b>		<b>S</b>	<b>157.050</b>		<b>U.S. Government Only, Canadian Coast Guard</b>
22			X	D	157.100	161.700	Port operation, ship movement
22A	X	X		S	157.100		US and Canadian Coast Guard Liaison and Maritime Safety Information Broadcasts announced on channel 16
23		X	X	D	157.150	161.750	Public Correspondence (Marine Operator)
<b>23A</b>	<b>X</b>			<b>S</b>	<b>157.150</b>		<b>U.S. Government Only</b>
24	X	X	X	D	157.200	161.800	Public Correspondence (Marine Operator)
25	X	X	X	D	157.250	161.850	Public Correspondence (Marine Operator)
26	X	X	X	D	157.300	161.900	Public Correspondence (Marine Operator)
27	X	X	X	D	157.350	161.950	Public Correspondence (Marine Operator)
28	X	X	X	D	157.400	162.000	Public Correspondence (Marine Operator)

VHF MARINE CHANNEL CHART							
CH	U	C	I	S/D	TX	RX	CHANNEL USE
60		X	X	D	156.025	160.625	Public Correspondence (Marine Operator)
61			X	D	156.075	160.675	Public Correspondence (Marine Operator), Port operation, ship movement
<b>61A</b>	<b>X</b>	<b>X</b>		<b>S</b>	<b>156.075</b>		<b>Public Coast: Coast Guard; East Coast: commercial fishing only</b>
62			X	D	156.125	160.725	Public Correspondence (Marine Operator), Port operation, ship movement
62A		X		S	156.125		Public Coast: Coast Guard; East Coast: commercial fishing only
63			X	D	156.175	160.775	Public Correspondence (Marine Operator), Port operation, ship movement
63A	X	X		S	156.175		Port Operation and Commercial. VTS in selected areas.
64		X	X	D	156.225	160.825	Public Correspondence (Marine Operator), Port operation, ship movement
<b>64A</b>	<b>X</b>	<b>X</b>		<b>S</b>	<b>156.225</b>		<b>Public Correspondence (Marine Operator), Port operation, ship movement</b>
65			X	D	156.275	160.875	Public Correspondence (Marine Operator), Port operation, ship movement
65A	X	X		S	156.275		Port Operations
66			X	D	156.325	160.925	Public Correspondence (Marine Operator), Port operation, ship movement
66A	X	X		S	156.325		Port Operations
67	X	X	X	S	156.375		US: Commercial. Used for Bridge-to-bridge com- muni-cations in lower Mississippi River. Inter-ship only, Canada: Commercial fishing, S&R
68	X	X	X	S	156.425		Non-commercial (Recreational)
69	X	X	X	S	156.475		US: Non-commercial (Recreational), Canada: Commercial fishing only, International: Inter-ship, Port operations and Ship movement
70	X	X	X	S	156.525		Digital selective calling (voice communications not allowed)
71	X	X	X	S	156.575		US, Canada: Non-commercial (Recreational), International: Port operations and Ship movement
72	X	X	X	S	156.625		Non-commercial (Inter-ship only)
73	X	X	X	S	156.675		US: Port Operations, Canada: Commercial fish ing only, International: Inter-ship, Port operations and Ship movement
74	X	X	X	S	156.725		US: Port Operations, Canada: Commercial fishing only, International: Inter-ship, Port operations and Ship movement
75	X	X	X	S	156.775		Port Operations (Inter-ship only) (1W)
76	X	X	X	S	156.825		Port Operations (Inter-ship only) (1W)
77	X	X		S	156.875		Port Operations (Inter-ship only) (1W)
77			X	S	156.875		Port Operations (Inter-ship only)
78			X	D	156.925	161.525	Public Correspondence (Marine Operator), Port operation, ship-movement
78A	X	X		S	156.925		Non-commercial (Recreational)
79			X	D	156.975	161.575	Port operation and Ship movement
79A	X	X		S	156.975		Commercial

VHF MARINE CHANNEL CHART							
CH	U	C	I	S/D	TX	RX	CHANNEL USE
80			X	D	157.025	161.625	Port operation, ship movement
80A	X	X		S	157.025		Commercial
81			X	D	157.075	161.675	Port operation, ship movement
81A	X			S	157.075		<b>U.S. Government Only - Environmental protection operations.</b>
81A		X		S	157.075		Canadian Coast Guard Only
82			X	D	157.125	161.725	Public Correspondence (Marine Operator), Port operation, ship movement
82A	X	X		S	157.125		<b>U.S. Government Only, Canadian Coast Guard Only</b>
83		X		D	157.175	161.775	Canadian Coast Guard Only
83			X	D	157.175	161.775	Public Correspondence (Marine Operator)
83A	X	X		S	157.175		<b>U.S. Government Only, Canadian Coast Guard Only</b>
84	X	X	X	D	157.225	161.825	Public Correspondence (Marine Operator)
85	X	X	X	D	157.275	161.875	Public Correspondence (Marine Operator)
86	X	X	X	D	157.325	161.925	Public Correspondence (Marine Operator)
87		X	X	S	157.375		Port operation, ship movement
87A	X			S	157.375		Public Correspondence (Marine Operator)
88		X	X	S	157.425		Port operation, ship movement
88A	X			S	157.425		Commercial, Inter-ship Only
WX01	X	X	X	D	---	162.550	Weather (receive only)
WX02	X	X	X	D	---	162.400	Weather (receive only)
WX03	X	X	X	D	---	162.475	Weather (receive only)
WX04	X	X	X	D	---	162.425	Weather (receive only)
WX05	X	X	X	D	---	162.450	Weather (receive only)
WX06	X	X	X	D	---	162.500	Weather (receive only)
WX07	X	X	X	D	---	162.525	Weather (receive only)
WX08	X	X	X	D	---	161.650	Weather (receive only)
WX09	X	X	X	D	---	161.775	Weather (receive only)
WX10	X	X	X	D	---	163.275	Weather (receive only)

**NOTE:** Simplex channels, 3A, 21A, 23A, 61A, 64A, 81A, 82A and 83A CANNOT be lawfully used by the general public in U.S.A. waters.

Channel designator	Carrier frequency (MHz)		Points of communication (Intership and between coast and ship unless otherwise indicated)	
	Ship transmit	Coast transmit		
<b>Port Operations</b>				
01A <sup>1</sup>	156.050	156.050	Intership only.	
63A <sup>1</sup>	156.175	156.175		
05 <sup>2</sup>	156.250	156.250		
65A	156.275	156.275		
66A	156.325	156.325		
12 <sup>3</sup>	156.600	156.600		
73	156.675	156.675		
14 <sup>3</sup>	156.700	156.700		
74	156.725	156.725		
77 <sup>4</sup>	156.875			
20	157.000	161.600		
20A <sup>12</sup>	157.000			
<b>Navigational (Bridge-to-Bridge)<sup>5</sup></b>				
13 <sup>6</sup>	156.650	156.650		
67 <sup>7</sup>	156.375	156.375		
<b>Commercial</b>				
01A <sup>1</sup>	156.050	156.050	Intership only. Do.	
63A <sup>1</sup>	156.175	156.175		
07A	156.350	156.350		
67 <sup>7</sup>	156.375			
08	156.400	.....		
09	156.450	156.450		
10	156.500	156.500		
11 <sup>3</sup>	156.550	156.550		
18A	156.900	156.900		
19A	156.950	156.950		
79A	156.975	156.975		
80A	157.025	157.025		
88A <sup>8</sup>	157.425	.....		
72 <sup>14</sup>	156.625	.....		
<b>Digital Selective Calling</b>				
70 <sup>15</sup>	156.525	156.525		

Channel designator	Carrier frequency (MHz)		Points of communication (Intership and between coast and ship unless otherwise indicated)	
	Ship transmit	Coast transmit		
<b>Noncommercial</b>				
68 <sup>17</sup>	156.425	156.425	Intership only. Great Lakes only. Do. Internship only.	
09 <sup>16</sup>	156.450	156.450		
69	156.475	156.475		
71	156.575	156.575		
72	156.625	.....		
78A	156.925	156.925		
79A	156.975	156.975		
80A	157.025	157.025		
67 <sup>14</sup>	156.375	.....		
<b>Distress, Safety and Calling</b>				
16	156.800	156.800		EPRIB
<b>Intership Safety</b>				
06	156.300	.....		a. Intership, or b. For SAR: Ship and aircraft for the U.S. Coast Guard.
<b>Environmental</b>				
15 <sup>13</sup>	.....	156.750	Coast to ship only.	
<b>Maritime Control</b>				
17 <sup>9,10</sup>	156.850	156.850		
<b>Liaison, U.S. Coast Guard</b>				
22A <sup>11</sup>	157.100	157.100	Ship, aircraft, and coast stations of the U.S. Coast Guard and at Lake Mead, Nev., ship and coast stations of the National Park Service, U.S. Department of the Interior.	

- 1: 156.050 MHz and 156.175 MHz are available for port operations and commercial communications purposes when used only within the U.S. Coast Guard designated Vessel Traffic Services (VTS) area of New Orleans, on the lower Mississippi River from the various pass entrances in the Gulf of Mexico to Devil's Swamp Light at River Mile 242.4 above head of passes near Baton Rouge.
- 2: 156.250 MHz is available for port operations communications use only within the U.S. Coast Guard designated VTS radio protection areas of New Orleans and Houston described in Sec. 80.383. 156.250 MHz is available for intership port operations communications used only within the area of Los Angeles and Long Beach harbors, within a 25-nautical mile radius of Point Fermin, California.
- 3: 156.550 MHz, 156.600 MHz and 156.700 MHz are available in the U.S. Coast Guard designated port areas only for VTS communications and in the Great Lakes available primarily for communications relating to the movement of ships in sectors designated by the St. Lawrence Seaway Development Corporation or the U.S. Coast Guard. The use of these frequencies outside VTS and ship movement sector protected areas is permitted provided they cause no interference to VTS and ship movement communications in their respective designated sectors.

- 4: Use of 156.875 MHz is limited to communications with pilots regarding the movement and docking of ships. Normal output power must not exceed 1 watt.
- 5: 156.375 MHz and 156.650 MHz are available primarily for intership navigational communications. These frequencies are available between coast and ship on a secondary basis when used on or in the vicinity of locks or drawbridges. Normal output power must not exceed 1 watt. Maximum output power must not exceed 10 watts for coast stations or 25 watts for ship stations.
- 6: On the Great Lakes, in addition to bridge-to-bridge communications, 156.650 MHz is available for vessel control purposes in established vessel traffic systems. 156.650 MHz is not available for use in the Mississippi River from South Pass Lighted Whistle Buoy "2" and Southwest Pass entrance Midchannel Lighted Whistle Buoy to mile 242.4 above Head of Passes near Baton Rouge. Additionally it is not available for use in the Mississippi River-Gulf Outlet, the Mississippi River-Gulf Outlet Canal, and the Inner Harbor Navigational Canal, except to aid the transition from these areas.
- 7: Use of 156.375 MHz is available for navigational communications only in the Mississippi River from South Pass Lighted Whistle Buoy "2" and Southwest Pass entrance Midchannel Lighted Whistle Buoy to mile 242.4 above head of Passes near Baton Rouge, and in addition over the full length of the Mississippi River-Gulf Outlet Canal from entrance to its junction with the Inner Harbor Navigation Canal, and over the ull length of the Inner Harbor Navigation Canal from its junction with the Mississippi River to its entry to Lake Pontchartrain at the New Seabrook vehicular bridge.
- 8: Within 120 km (75 miles) of the United States/Canada border, in the area of the Puget Sound and the Strait of Juan de Fuca and its approaches, 157.425 MHz is half of the duplex pair designated as Channel 88. In this area, Channel 88 is available to ship stations for communications with public coast stations only. More than 120 km (75 miles) from the United States/Canada border in the area of the Puget Sound and the Strait of Juan de Fuca, its approaches, the Great Lakes, and the St. Lawrence Seaway, 157.425 MHz is available for intership and commercial communications. Outside Puget Sound area and its approaches and the Great Lakes, 157.425 MHz is also available for communications between commercial fishing vessels and associated aircraft while engaged in commercial fishing activities.
- 9: When the frequency 156.850 MHz is authorized, it may be used additionally for search and rescue training exercises conducted by state or local governments.
- 10: The frequency 156.850 MHz is additionally available to coast stations on the Great Lakes for transmission of scheduled Coded Marine Weather Forecasts (MAFOR), Great Lakes Weather Broadcast (LAWEB) and nscheduled Notices to Mariners or Bulletins. F3C and J3C emissions are permitted. Coast Stations on the Great Lakes must cease weather broadcasts which cause interference to stations operating on 156.800 MHz until the interference problem is resolved.
- 11: The frequency 157.100 MHz is authorized for search and rescue training exercises by state or local government in conjunction with U.S. Coast Guard stations. Prior U.S. Coast Guard approval is required. Use must cease immediately on U.S. Coast Guard request.
- 12: The duplex pair for channel 20 (157.000/161.600 MHz) may be used for ship to coast station communications.
- 13: Available for assignment to coast stations, the use of which is in accord with an agreed program, for the broadcast of information to ship stations concerning the environmental conditions in which vessels operate, i.e., weather; sea conditions; time signals; notices to mariners; and hazards to navigation.
- 14: Available only in the Puget Sound and the Strait of Juan de Fuca.
- 15: The frequency 156.525 MHz is to be used exclusively for distress, safety and calling using digital selective calling techniques. No other uses are permitted.
- 16: The frequency 156.450 MHz is available for intership, ship and coast general purpose calling by noncommercial vessels, such as recreational boats and private coast stations.
- 17: The frequency 156.425 MHz is assigned by rule to private coast stations in Alaska for facsimile transmissions as well as voice communications.

## 15 WARRANTY

### Marine Products Limited Warranty

#### PLEASE NOTE

The following “Limited Warranty” is for valid for products that have been purchased in the United States and Canada. For limited Warranty details outside the United States, contact the dealer in your country.

STANDARD HORIZON (a division of Vertex Standard) warrants, to the original purchaser only, each new Marine Communications Product (“Product”) manufactured and/or supplied by STANDARD HORIZON against defects in materials and workmanship under normal use and service for a period of time from the date of purchase as follows:

#### Fixed Mount and Portable Transceivers

1 year - if purchased before 01/01/91

3 years - if purchased between 01/01/91 and 01/01/94

3 years Waterproof - if purchased after 01/01/94

#### Loud hailers

1 year - if purchased before 01/01/91

3 years - if purchased after 01/01/91

#### Associated Chargers

1 year - if purchased before 01/01/91

3 years - if purchased after 01/01/91

**Associated Batteries** - 1 year. Note: Batteries will be deemed defective only if storage capacity drops below 80% of rated capacity or if leakage develops.

**Associated Accessories** - 1 year. Includes: Microphones/Handsets, External Speakers, Antennas, Carrying Accessories, Power Supplies, and Signaling Boards.

To receive warranty service, the purchaser must deliver the Product, transportation and insurance prepaid, to STANDARD HORIZON (a division of Vertex Standard), Attention Marine repairs 10900 Walker Street, Cypress, CA 90630. Include proof of purchase indicating model, serial number, and date of purchase. STANDARD HORIZON will return the Product to the purchaser freight prepaid. Products purchased prior to January 1, 1991 will bear the STANDARD HORIZON warranty terms in effect prior to that date.

In the event of a defect, malfunction or failure of the Product during the warranty period, STANDARD HORIZON’s liability for any breach of contract or any breach of express or implied warranties in connection with the sale of Products shall be limited solely to repair or replacement, at its option, of the Product or part(s) therein which, upon examination by STANDARD HORIZON, appear to

be defective or not up to factory specifications. STANDARD HORIZON may, at its option, repair or replace parts or subassemblies with new or reconditioned parts and subassemblies. Parts thus repaired or replaced are warranted for the balance of the original applicable warranty.

STANDARD HORIZON will not warrant installation, maintenance or service of the Products. In all instances, STANDARD HORIZON's liability for damages shall not exceed the purchase price of the defective Product.

This warranty only extends to Products sold within the 50 States of the United States of America and the District of Columbia.

STANDARD HORIZON will pay all labor to repair the product and replacement parts charges incurred in providing the warranty service except where purchaser abuse or other qualifying exceptions exist. The purchaser must pay any transportation expenses incurred in returning the Product to STANDARD HORIZON for service.

This limited warranty does not extend to any Product which has been subjected to misuse, neglect, accident, incorrect wiring by anyone other than STANDARD HORIZON, improper installation, or subjected to use in violation of instructions furnished by STANDARD HORIZON, nor does this warranty extend to Products on which the serial number has been removed, defaced, or changed. STANDARD HORIZON cannot be responsible in any way for ancillary equipment not furnished by STANDARD HORIZON which is attached to or used in connection with STANDARD HORIZON's Products, or for the operation of the Product with any ancillary equipment, and all such equipment is expressly excluded from this warranty. STANDARD HORIZON disclaims liability for range, coverage, or operation of the Product and ancillary equipment as a whole under this warranty. STANDARD HORIZON reserves the right to make changes or improvements in Products, during subsequent production, without incurring the obligation to install such changes or improvements on previously manufactured Products.

The implied warranties which the law imposes on the sale of this Product are expressly LIMITED, in duration, to the time period specified above. STANDARD HORIZON shall not be liable under any circumstances for consequential damages resulting from the use and operation of this Product, or from the breach of this LIMITED WARRANTY, any implied warranties, or any contract with STANDARD HORIZON. IN CONNECTION WITH THE SALE OF ITS PRODUCTS, STANDARD HORIZON MAKES NO WARRANTIES, EXPRESS OR IMPLIED AS TO THE MERCHANTABILITY OR FITNESS FOR A PARTICULAR PURPOSE OR OTHERWISE, EXCEPT AS EXPRESSLY SET FORTH HEREIN.

Some states do not allow the exclusion or limitation of incidental or consequential damages, or limitation on how long an implied warranty lasts, so the above limitations or exclusions may not apply. This warranty gives specific legal rights, and there may be other rights which may vary from state to state.

ONLY PRODUCTS SOLD ON OR AFTER JANUARY 1, 1991 ARE COVERED UNDER THE TERMS OF THIS LIMITED WARRANTY.

## ON-LINE WARRANTY REGISTRATION

THANK YOU for buying Marine Division of Vertex Standard products! We are confident your new radio will serve your needs for many years!

Please visit **[www.standardhorizon.com](http://www.standardhorizon.com)** to register the **GX1100S** Marine VHF. It should be noted that visiting the Web site from time to time may be beneficial to you, as new products are released they will appear on the STANDARD HORIZON Web site. Also a statement regarding product support should be added to the manual.

### Product Support Inquiries

If you have any questions or comments regarding the use of the **GX1100S**, you can visit the STANDARD HORIZON Web site to send an E-Mail or contact the Product Support team at (714) 827-7600 ext 6300 M-F 7:00-5:00PST.

In addition to the warranty, STANDARD HORIZON includes a lifetime "flat rate" and "customer loyalty" programs to provide service after the warranty period has expired. If you wish to obtain the flat rate price for out-of-warranty repair, you must include the information on the Owner's Record with the unit when you return it to your Dealer or to STANDARD HORIZON.

Lifetime Flat Rate Service Program: For the original Owner only, for the lifetime of the unit, STANDARD HORIZON will repair the unit to original specifications.

Note: The flat rate amount is payable by the Owner only if STANDARD HORIZON or the STANDARD HORIZON Dealer determines that a repair is needed. After the repair, a 90-day warranty will be in effect from the date of return of the unit to the Owner.

This service program is not available for equipment which has failed as a result of neglect, accident, breakage, misuse, improper installation or modification, or water damage (depending on the product).



## 16 SPECIFICATIONS

Performance specifications are nominal, unless otherwise indicated, and are subject to change without notice.

### 16.1 GENERAL

Channels .....	All USA, International and Canadian
Input Voltage .....	13.8 VDC $\pm$ 20%
Current Drain	
Standby .....	0.3 A
Receive .....	1.0 A
Transmit .....	5.5 A (Hi); 1.5 A (Lo)
Individual DSC Directory Memory .....	48
Group DSC Directory Memory .....	20
Dimensions (W x H x D) .....	155 x 60 x 170 mm
Flush-Mount Dimensions (W x H x D) .....	131 x 51 x 170 mm
Weight .....	920 g

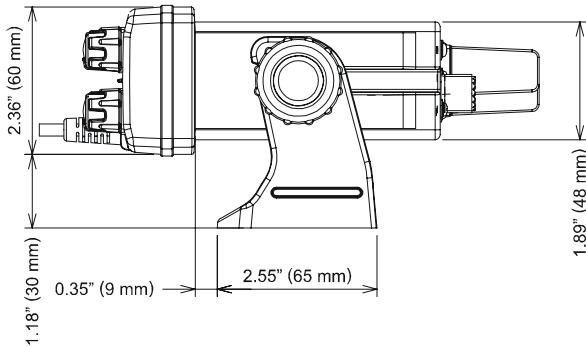
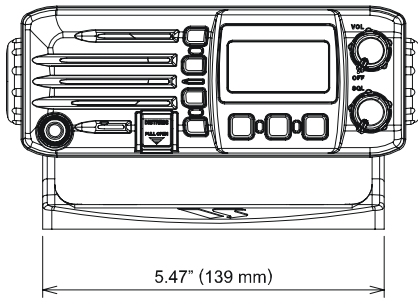
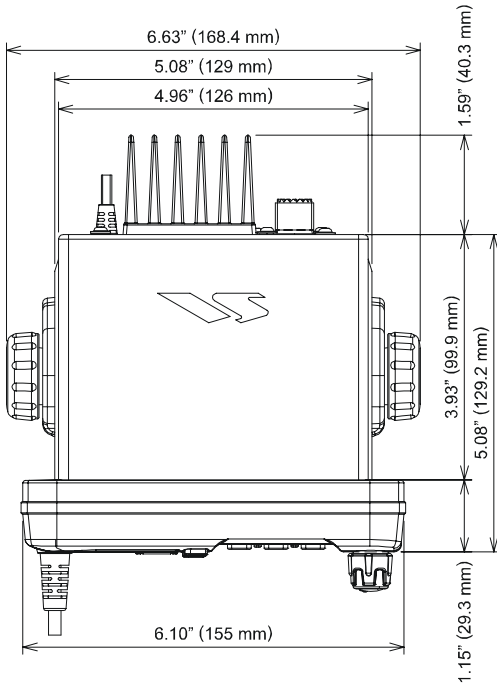
### 16.2 TRANSMITTER

Frequency Range .....	156.025 to 157.425 MHz
RF Output .....	25 W (Hi); 1 W (Lo)
Conducted Spurious Emissions .....	80 dB (Hi); 66 dB (Lo)
Audio Response .....	within +1/-3 of a 6 dB/octave pre-emphasis characteristic at 300 to 3000 Hz
Audio Distortion .....	5 %
Modulation .....	16K0G3E, for DSC 16K0G2B
Frequency Stability (-20°C to +50°C) .....	$\pm$ 1.5 kHz
FM Hum and Noise .....	50 dB

### 16.3 RECEIVER

Frequency Range .....	156.050 to 163.275 MHz
Sensitivity	
12 dB SINAD .....	0.25 $\mu$ V
12 dB SINAD (70 CH Receiver) .....	0.25 $\mu$ V
Squelch Sensitivity (Threshold) .....	0.20 $\mu$ V
Modulation Acceptance Bandwidth .....	$\pm$ 7.5 kHz
Selectivity	
Spurious and Image Rejection .....	-75 dB
Intermodulation and Rejection at 12 dB SINAD .....	-70 dB
Audio Output .....	4.5 W
Audio Response .....	within + 1/-3 of a 6 dB/octave de-emphasis characteristic at 300 to 3000 Hz
Frequency Stability (-20°C to +50°C) .....	$\pm$ 0.0005 %
Channel Spacing .....	25 kHz
DSC Format .....	ITU-R M.493
NMEA Input/Output .....	Output - DSC, DSE Input - GLL, GGA, RMC and GNS

## 16.4 GX1100S DIMENSIONS



This device complies with part 15 of the FCC rules. Operation is subject to the condition that this device does not cause harmful interference.

Part 15.21: Changes or modifications to this device not expressly approved by Vertex Standard could void the User's authorization to operate this device.



**STANDARD HORIZON**

**Marine Division of VERTEX STANDARD  
US Headquarters**

10900 Walker Street, Cypress, CA 90630, U.S.A.

**[www.standardhorizon.com](http://www.standardhorizon.com)**



**E M 0 3 7 N 1 0 0**

Copyright 2008  
VERTEX STANDARD CO., LTD.  
All rights reserved.

No portion of this manual  
may be reproduced  
without the permission of  
VERTEX STANDARD CO., LTD.