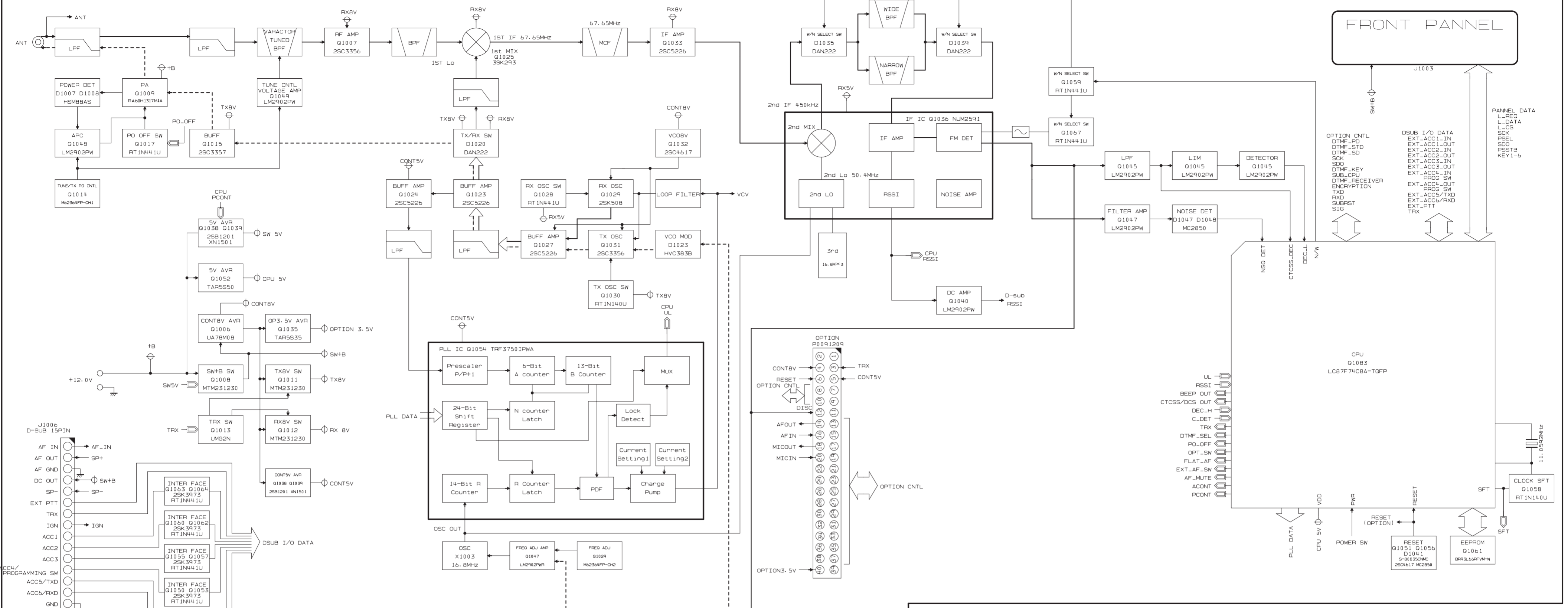
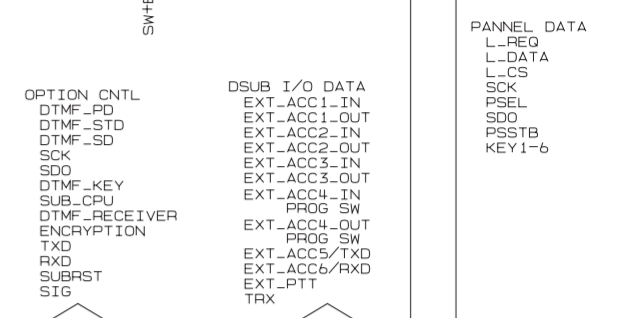


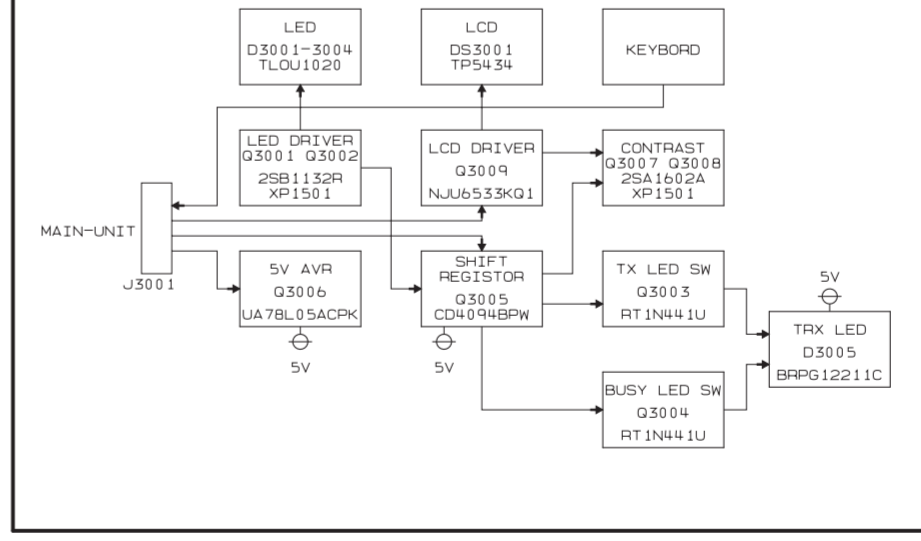
# MAIN-UNIT



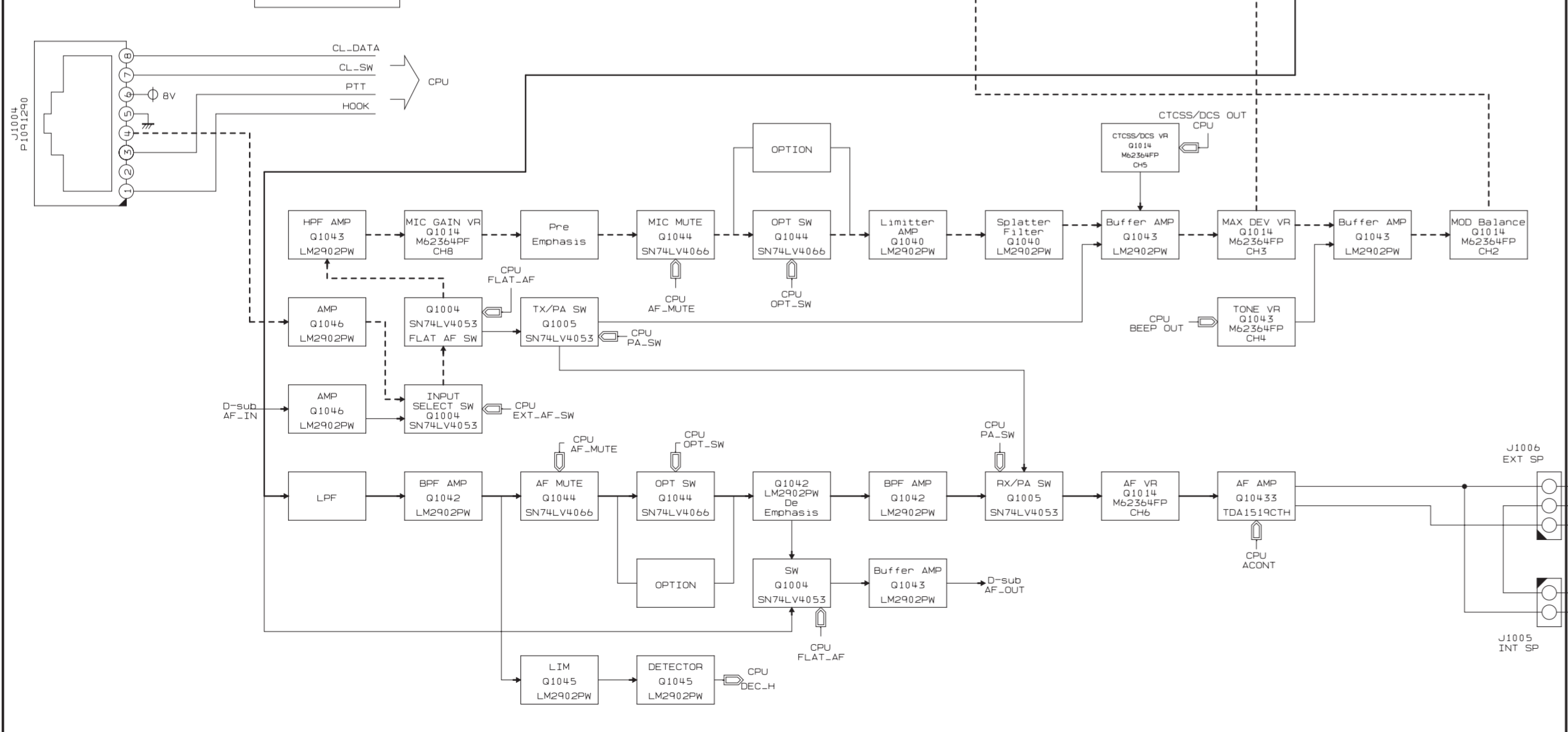
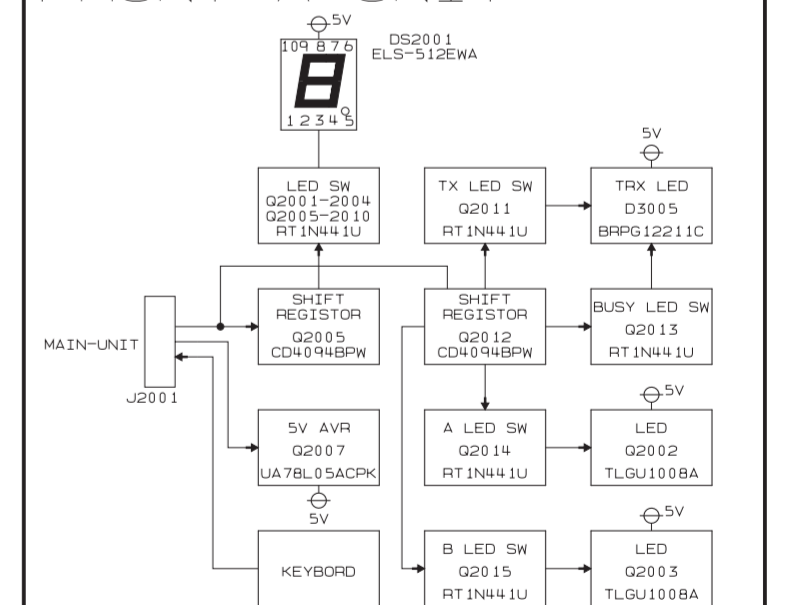
# FRONT PANEL



# FRONT-B-UNIT



# FRONT-A-UNIT



CIRCUIT DIAGRAM	MODEL VX-2100/2200 Series
DES. B-AC061N000/BLOCK-DIAGRAM	
REF.	
DATE 2011/10/28	UPDATE
VERTEX STANDARD CO., LTD.	