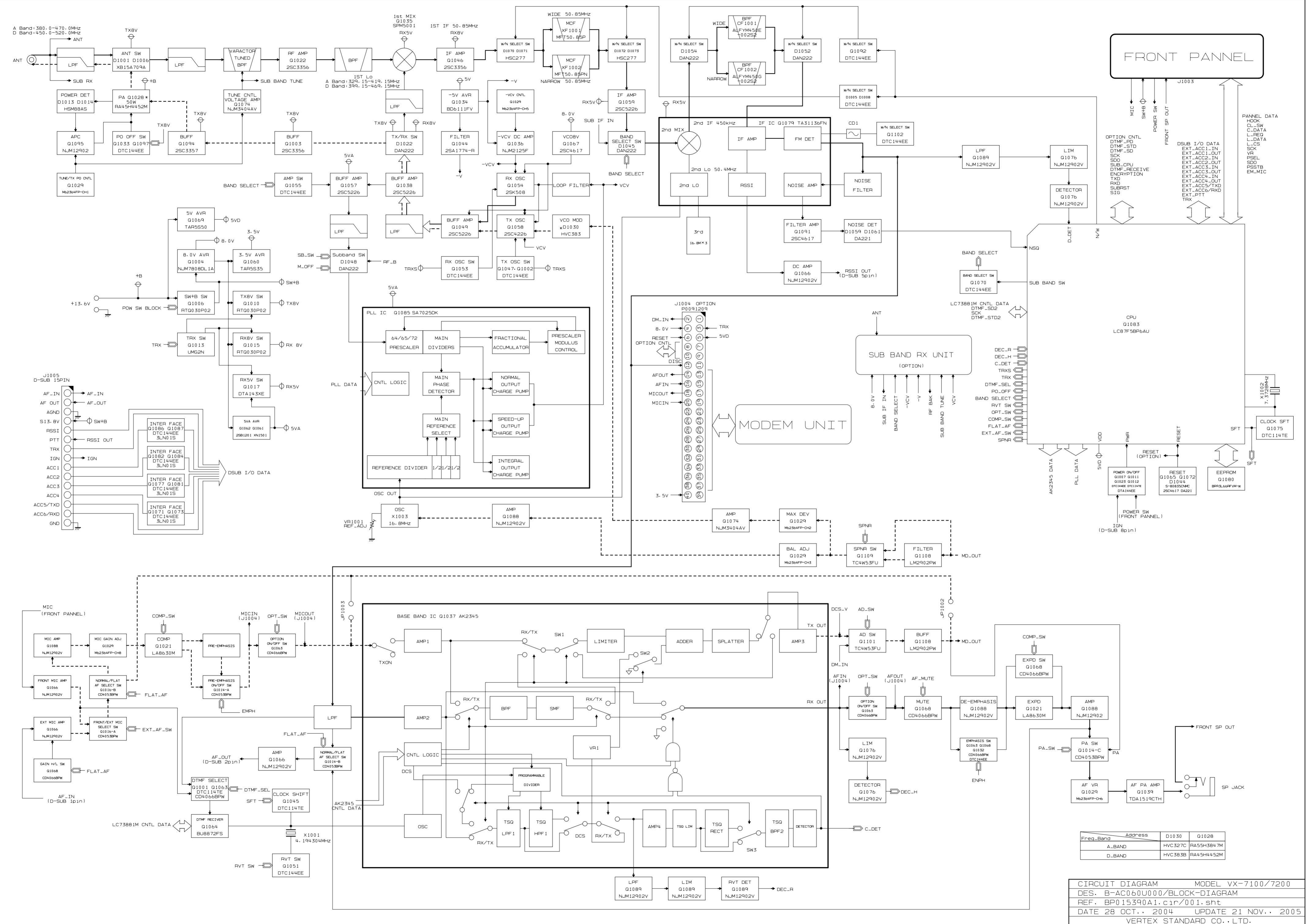


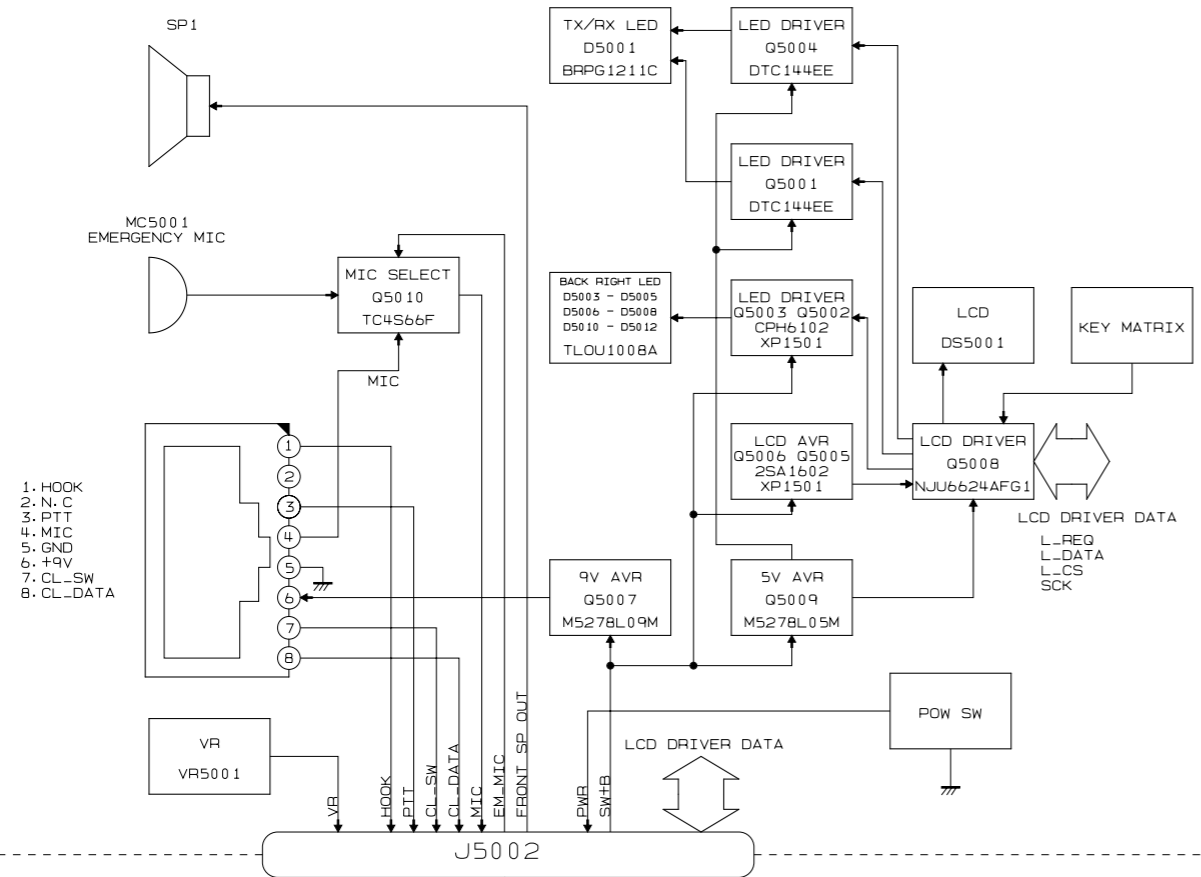
CIRCUIT DIAGRAM	MODEL VX-7100/7200
DES. B-AC060N000/BLOCK-DIAGRAM	
REF. BP015390A1.cir/003.sht	
DATE 28 OCT., 2004	UPDATE 21 NOV., 2005
VERTEX STANDARD CO., LTD.	



Freq_Band	Address	D1030	Q102B
A_BAND	HVC327C	RA55H3847M	
D_BAND	HVC383B	RA45H4452M	

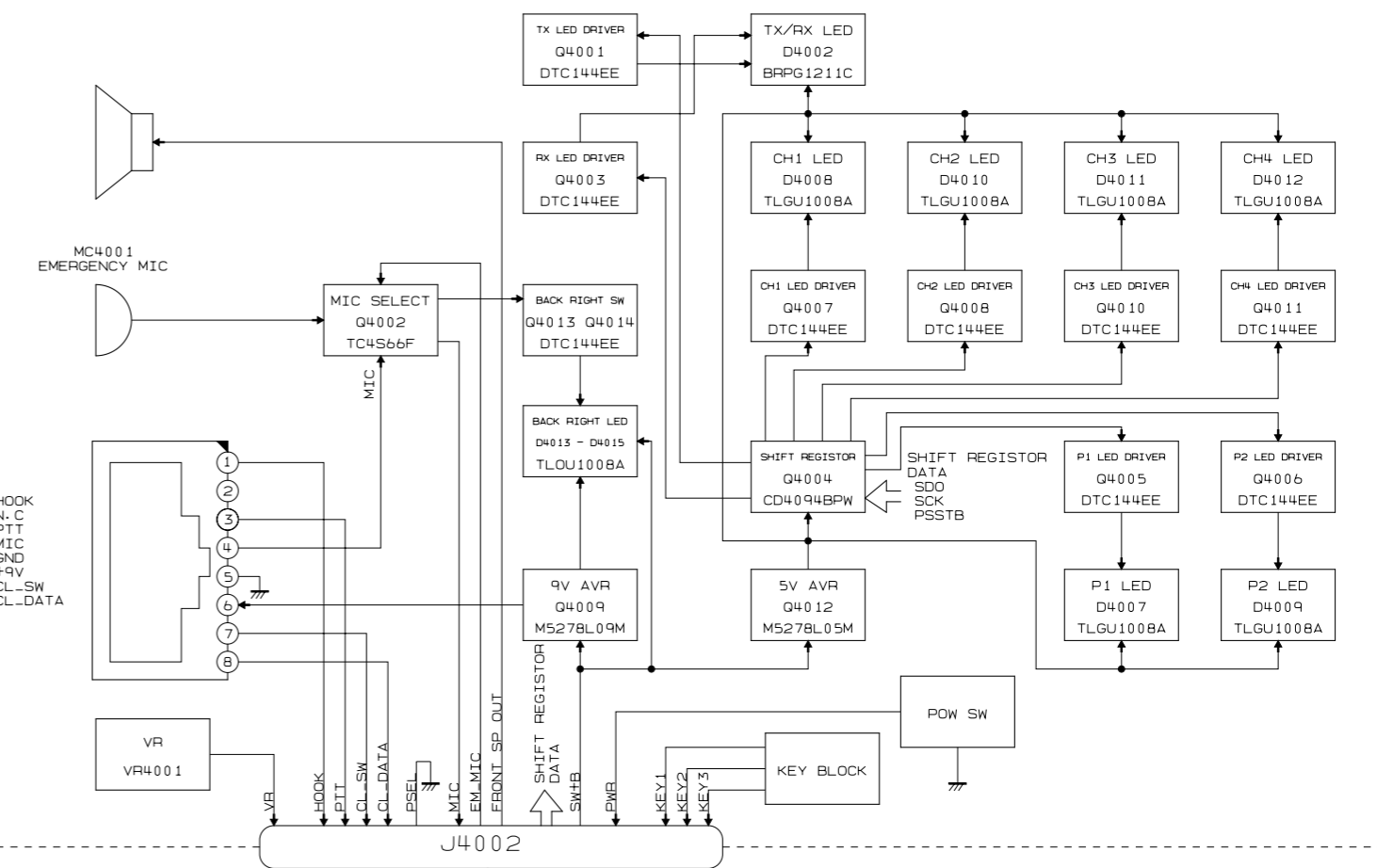
CIRCUIT DIAGRAM MODEL VX-7100/7200  
 DES. B-AC060U00/BLOCK-DIAGRAM  
 REF. BP015390A1.cir/001.sht  
 DATE 28 OCT.. 2004 UPDATE 21 NOV.. 2005  
 VERTEX STANDARD CO.,LTD.

FRONT-D-UNIT  
 (50 1CH)



- 1. HOOK
- 2. N. C
- 3. PTT
- 4. MIC
- 5. GND
- 6. +9V
- 7. CL-SW
- 8. CL-DATA

FRONT-C-UNIT  
 (4CH)



- 1. HOOK
- 2. N. C
- 3. PTT
- 4. MIC
- 5. GND
- 6. +9V
- 7. CL-SW
- 8. CL-DATA

MAIN-UNIT

MAIN-UNIT

CIRCUIT DIAGRAM	MODEL VX-7100/7200
DES. B-AC060N000/BLOCK-DIAGRAM	
REF. BP015390A1.cir/002.sht	
DATE 28 OCT., 2004	UPDATE 21 NOV., 2004
VERTEX STANDARD CO.,LTD.	