

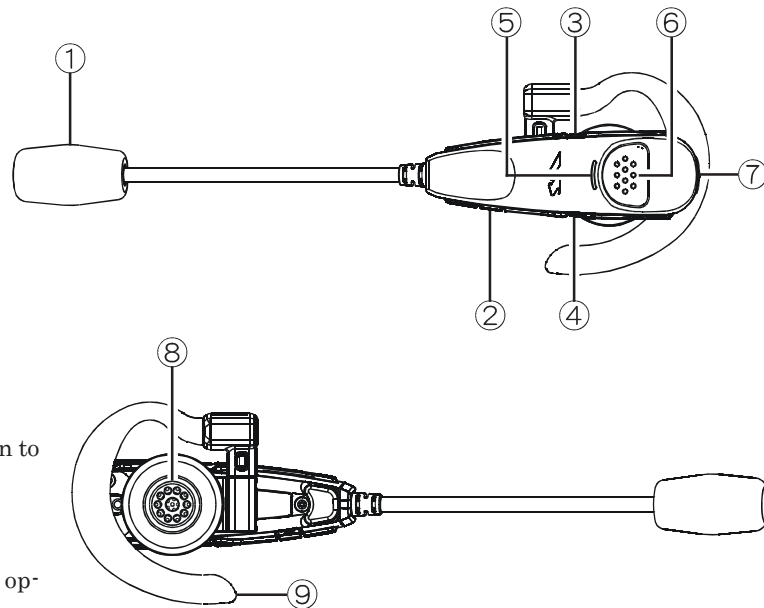
## “BH-1A” Bluetooth® Head Set

When the optional BU-1 Bluetooth® Adapter Unit is installed, you may use the optional BH-1A Bluetooth® Headset as a wireless link to send and receive audio to the Transceiver\*.

\* Check with your Vertex Standard Dealer or Catalog for applicable models.

### Controls & Connections

- ① **Microphone**
- ② **POWER switch**
- ③ **VOLUME (-) switch**
- ④ **VOLUME (+) switch**
- ⑤ **LED Indicator**  
 Blinking Blue: When the BH-1A Bluetooth® Headset is correctly recognized by the transceiver.  
 Blinking Red: When the BH-1A Bluetooth® Headset is not correctly recognized by the transceiver.  
 Blinking Red/Blue: Battery Voltage is Low.
- ⑥ **PTT switch**  
 Press this key to transmit. Release this key to return to receive (Depends on transceiver settings).
- ⑦ **Earphone jack**  
 This jack accepts the optional FEP-4 Earphone. You may listen to FM broadcast stereo with the optional FEP-4 Earphone connected to this jack.
- ⑧ **SPEAKER**
- ⑨ **Earhook**  
 You can wear the BH-1A on your left or right ear.



BH-1A is not designed to attach to a motorcycle helmet. Specifications are subject to change without notice.

### Pairing

Before you can use your BH-1A for the first time, the BH-1A and the transceiver must be paired. Refer to the Transceiver's Operating Manual for Pairing instructions.

- Please bring the BH-1A and the Transceiver close together when doing Pairing.
1. Make sure that the BH-1A is off.
  2. Press and hold the POWER switch for five seconds, until the LED indicator blinks red/blue alternately.

When the BH-1A is correctly recognized (Requires a 20 to 30 seconds) by the transceiver, the LED indicator will blink blue.

### Turning ON and OFF

#### To turn the BH-1A ON

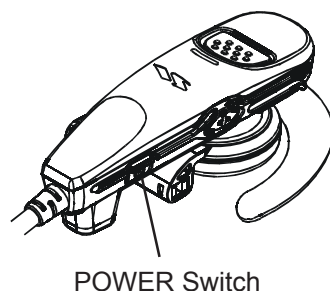
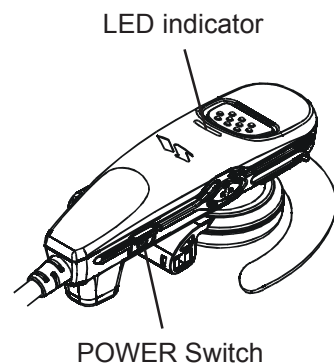
Press and hold the POWER switch for three seconds, until the BH-1A's LED indicator glows red, and the beeper sounds a high pitch tone.

When the BH-1A is correctly recognized by the transceiver, the LED indicator will blink blue.

○ When the BH-1A is not correctly recognized by the transceiver, the LED indicator will blink red.

#### To turn the BH-1A OFF

Press and hold the POWER switch for five seconds, until the BH-1A's red LED indicator blinks rapidly, the beeper sounds two brief tones, and the BH-1A turns off.

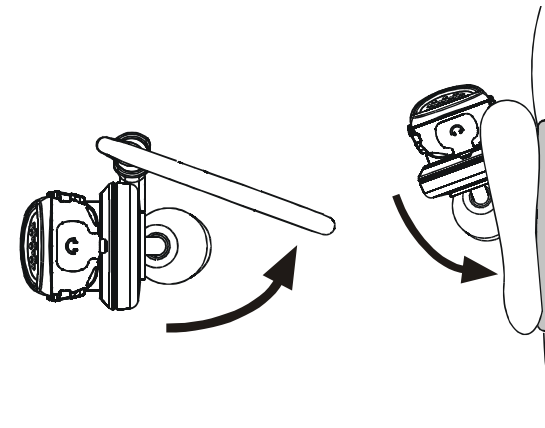


#### Effective Communications Range

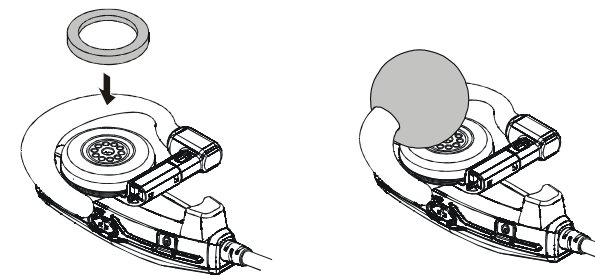
The communications range between the BH-1A and the Transceiver is around 10m (33 ft). Obstacles between the BH-1A and the Transceiver may shorten the communications distance. If you move out of range, the beeper sounds a low pitch tone. If you move back into range, the beeper sounds a high pitch tone.

### Wearing the BH-1A

1. Open the earhook.
2. Loop the earhook over your ear.
3. Press the BH-1A to your ear.
4. Adjust the flexible boom microphone by bending the boom towards your mouth.

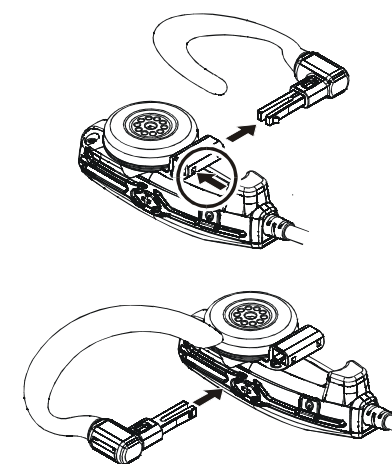


For more comfort when wearing the BH-1A, affix the supplied sponge on the speaker and insert the supplied sponge ball into the earhook, and adjust as necessary.



The BH-1A comes ready to fit the left ear. You may change the BH-1A to fit the right ear in the following procedure.

- When listening to FM broadcast stereo, wear the BH-1A on your left ear to hear the left channel, and the FEP-4 in your right ear to hear the right channel.
1. The Earhook is removed by pushing it out with a pointed object.
  2. Removed Earhook is inserted from the other side.



### Operation

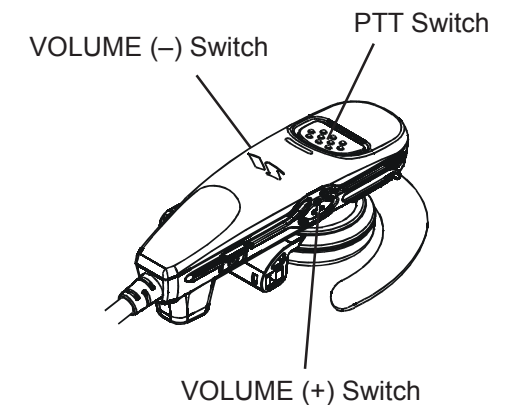
#### Transmission

Press the PTT switch to transmit, and release the switch to return to receive (Depends on transceiver settings).

#### Adjusting the Volume level

Adjust the receiver audio level, using the VOLUME (-) or (+) switch.

VOLUME (+): Adjusts the receiver audio level upward.  
 VOLUME (-): Adjusts the receiver audio level downward.

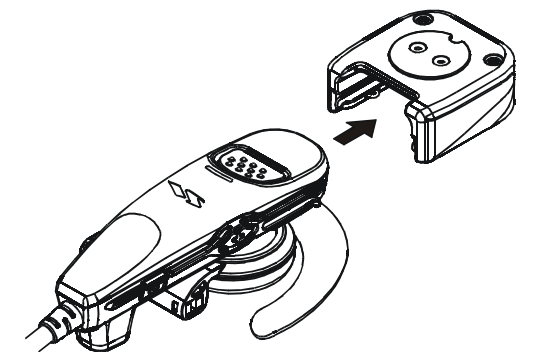


### Battery

When the battery voltage becomes low, the BH-1A's LED indicator will blink red/blue alternately, and the beeper sounds a low pitch tone.

If the battery has never been used, or its charge is depleted, it may be charged by connecting to the CAB-1 Charger Sleeve, as shown in the illustration.

1. Attach the CAB-1 to the transceiver.  
 Please refer to the transceiver's manual for installation of CAB-1.
2. Insert the BH-1A into the CAB-1.  
**Note:** The BH-1A is automatically turned off when it is inserted into the CAB-1 charger.
3. If the BH-1A is inserted correctly, the LED indicator will glow Red. A fully discharged battery will be charged completely in 3 hours. When charging is finished, the LED indicator will glow blue.



#### Battery saver

If there has been no signal or key activity for 20 seconds, the Battery Save automatically puts the BH-1A to "sleep", to conserve battery life.

When a signal is received or the PTT key is pressed the BH-1A will be active again.



VERTEX STANDARD CO., LTD.

## “BH-1A” *Bluetooth*® Head Set

The “BH-1A” is a *Bluetooth*® Head Set for Vertex Standard Transceivers\*. When the *Bluetooth*® Head Set “BH-1A” is used with the “BU-1” Adapter, you can enjoy comfortable hands free operation.

\*: Please refer to the Vertex Standard catalog for the correct “BH-1A” Head Set for the radio you are using.

This device complies with Part 15 of the FCC Rules. Operation is subject to the following two conditions: (1) this device may not cause harmful interference, and (2) this device must accept any interference received, including interference that may cause undesired operation.

Part 15.21: Changes or modifications to this device not expressly approved by Vertex Standard could void the user’s authorization to operate this device.

CAUTION: This device and its antenna(s) must not be co-located or operated in conjunction with any other antenna or transmitter. End users cannot modify this transmitter device. Any unauthorized modification could void the user’s authority to operate this device.

To comply with FCC RF exposure compliance requirements, This equipment complies with FCC radiation exposure limits set forth for an uncontrolled environment. End users must follow the specific operating instructions for satisfying RF exposure compliance. This transmitter must not be co-located or operating in conjunction with any other antenna or transmitter.

The term “IC” before the radio certification number only signifies that Industry Canada technical specifications were met.

This device complies with RSS 210 of industry Canada “IC”.

“Operation is subject to the following two conditions:

- (1) this device may not cause interference, and
- (2) this device must accept any interference, including interference that may cause undesired operation of the device.”

L’ utilisation de ce dispositif est autorisée seulement aux conditions suivantes : (1) il ne doit pas produire de brouillage et (2) l’ utilisateur du dispositif doit être prêt à accepter tout brouillage radioélectrique reçu, même si ce brouillage est susceptible de compromettre le fonctionnement du dispositif.

“The installer of this radio equipment must ensure that the antenna is located or pointed such that it does not emit RF field in excess of Health Canada limits for the general population; consult Safety Code 6, obtainable from Health Canada’s website [www.hc-sc.ca/rpb](http://www.hc-sc.ca/rpb)”



### Declaration of Conformity

We, Yaesu UK Ltd. declare under our sole responsibility that the following equipment complies with the essential requirements of the Directive 1999/5/EC.

Type of Equipment:	Bluetooth Headset
Brand Name:	VERTEX STANDARD
Model Number:	BH-1A
Manufacturer:	Vertex Standard Co., Ltd.
Address of Manufacturer:	4-8-8 Nakameguro Meguro-Ku, Tokyo 153-8644, Japan

#### Applicable Standards:

This equipment is tested and conforms to the essential requirements of directive, as included in following standards.

Radio Standard:	EN 300 328 V1,7,1
EMC Standard:	EN 301 489-17 V1.2.1
Safety Standard:	EN 60950-1: 2006

The technical documentation as required by the Conformity Assessment procedures is kept at the following address:

Company: Yaesu UK Ltd.  
Address: Unit 12, Sun Valley Business Park, Winnall Close,  
Winchester, Hampshire, SO23 0LB, U.K.



[cs] Český [Czech]	Vertex Standard Co., Ltd. tímto prohlašuje, že tento Bluetooth Headset BH-1A je ve shodě se základními požadavky a dalšími příslušnými ustanoveními směrnice 1999/5/ES.
[da] Dansk [Danish]	Undertegnede Vertex Standard Co., Ltd. erklærer herved, at følgende udstyr Bluetooth Headset BH-1A overholder de væsentlige krav og øvrige relevante krav i direktiv 1999/5/EF.
[de] Deutsch [German]	Hiermit erkläre Vertex Standard Co., Ltd., dass sich das Gerät Bluetooth Headset BH-1A in Übereinstimmung mit den grundlegenden Anforderungen und den übrigen einschlägigen Bestimmungen der Richtlinie 1999/5/EG befindet.
[et] Eesti [Estonian]	Käesolevaga kinnitab Vertex Standard Co., Ltd. seadme Bluetooth Headset BH-1A vastavust direktiivi 1999/5/EÜ põhinõuetele ja nimetatud direktiivist tulenevatele teistele asjakohastele sätetele.
[en] English	Hereby, Vertex Standard Co., Ltd., declares that this Bluetooth Headset BH-1A is in compliance with the essential requirements and other relevant provisions of Directive 1999/5/EC.
[es] Español [Spanish]	Por medio de la presente Vertex Standard Co., Ltd. declara que el Bluetooth Headset BH-1A cumple con los requisitos esenciales y cualesquiera otras disposiciones aplicables o exigibles de la Directiva 1999/5/CE.
[el] Ελληνικά [Greek]	ΜΕ ΤΗΝ ΠΑΡΟΥΣΙΑ Vertex Standard Co., Ltd. ΔΗΛΩΝΕΙ ΟΤΙ Bluetooth Headset BH-1A ΣΥΜΜΟΡΦΩΝΕΤΑΙ ΠΡΟΣ ΤΙΣ ΟΥΣΙΩΔΕΙΣ ΑΠΑΙΤΗΣΕΙΣ ΚΑΙ ΤΙΣ ΛΟΠΙΣΣ ΣΧΕΤΙΚΕΣ ΔΙΑΤΑΞΕΙΣ ΤΗΣ ΟΔΗΓΙΑΣ 1999/5/ΕΚ.
[fr] Français [French]	Par la présente Vertex Standard Co., Ltd. déclare que l'appareil Bluetooth Headset BH-1A est conforme aux exigences essentielles et aux autres dispositions pertinentes de la directive 1999/5/CE.
[it] Italiano [Italian]	Con la presente Vertex Standard Co., Ltd. dichiara che questo Bluetooth Headset BH-1A è conforme ai requisiti essenziali ed alle altre disposizioni pertinenti stabilite dalla direttiva 1999/5/CE.
Latvian [Latvian]	Ar šo Vertex Standard Co., Ltd. deklarē, ka Bluetooth Headset BH-1A atbilst Direktīvas 1999/5/EK būtiskajām prasībām un citiem ar to saistītajiem noteikumiem.
Lithuanian [Lithuanian]	Šiuo Vertex Standard Co., Ltd. deklaruoja, kad šis Bluetooth Headset BH-1A atitinka esminius reikalavimus ir kitas 1999/5/EB Direktyvos nuostatas.
[nl] Nederlands [Dutch]	Hierbij verklaart Vertex Standard Co., Ltd. dat het toestel Bluetooth Headset BH-1A in overeenstemming is met de essentiële eisen en de andere relevante bepalingen van richtlijn 1999/5/EG.
[mt] Malti [Maltese]	Hawnhekk, Vertex Standard Co., Ltd., jiddikjara li dan Bluetooth Headset BH-1A jikkonforma mal-fihgijiet essenzjali u ma provvedimenti oħrajn rilevanti li hemm fid-Direttiva 1999/5/EC.
[hu] Magyar [Hungarian]	Ahúirott, Vertex Standard Co., Ltd. nyilatkozik, hogy a Bluetooth Headset BH-1A megfelel a vonatkozó alapvető követelményeknek és az 1999/5/EC irányelv egyéb előírásainak.
[pl] Polski [Polish]	Niniejszym Vertex Standard Co., Ltd. oświadcza, że Bluetooth Headset BH-1A jest zgodny z zasadniczymi wymogami oraz pozostałymi stosownymi postanowieniami Dyrektywy 1999/5/EC.
[pt] Português [Portuguese]	Vertex Standard Co., Ltd. declara que este Bluetooth Headset BH-1A está conforme com os requisitos essenciais e outras disposições da Directiva 1999/5/CE.
[sl] Slovensko [Slovenian]	Vertex Standard Co., Ltd. izjavlja, da je ta Bluetooth Headset BH-1A v skladu z bistvenimi zahtevami in ostalimi relevantnimi določili direktive 1999/5/ES.

Slovensky [Slovak]	Vertex Standard Co., Ltd. týmto vyhlasuje, že Bluetooth Headset BH-1A spĺňa základné požiadavky a všetky príslušné ustanovenia Smernice 1999/5/ES.
[fi] Suomi [Finnish]	Vertex Standard Co., Ltd. vakuuttaa täten että Bluetooth Headset BH-1A tyyppinen laite on direktiivin 1999/5/EY oleellisten vaatimusten ja sitä koskevien direktiivin muiden ehtojen mukainen.
[sv] Svenska [Swedish]	Härmed intygar Vertex Standard Co., Ltd. att denna Bluetooth Headset BH-1A står i överensstämmelse med de väsentliga egenskapskrav och övriga relevanta bestämmelser som framgår av direktiv 1999/5/EG.
Íslenska [Icelandic]	Hér með lýsir Vertex Standard Co., Ltd. yfir því að Bluetooth Headset BH-1A er í samræmi við grunnkröfur og aðrar kröfur, sem gerðar eru í tilskipun 1999/5/EC.
[no] Norsk [Norwegian]	Vertex Standard Co., Ltd. erklærer herved at utstyret Bluetooth Headset BH-1A er i samsvar med de grunnleggende krav og øvrige relevante krav i direktiv 1999/5/EF.
[Bulgarian]	<i>С настоящето Vertex Standard Co., Ltd. декларира, че Bluetooth Headset BH-1A отговаря на съществените изисквания и другите приложими изисквания на Директива 1999/5/EC.</i>
[Romanian]	<i>Prin prezenta, Vertex Standard Co., Ltd. declară că aparatul Bluetooth Headset BH-1A este în conformitate cu cerințele esențiale și cu alte prevederi pertinente ale Directivei 1999/5/CE.</i>