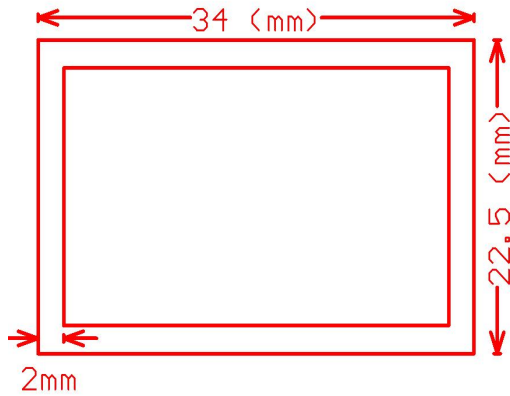


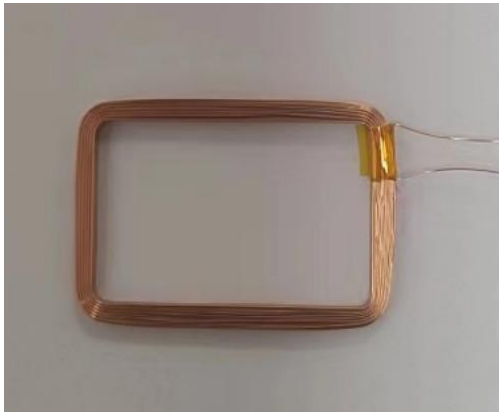
EM Antenna Specifications

Material Name:	Antenna	Model:	XK2-ANT	Internal No.:	4.002.153
----------------	---------	--------	---------	---------------	-----------

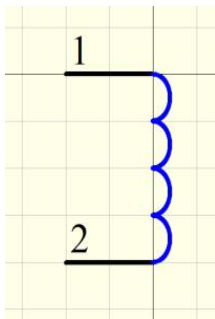
1. Dimensions



2. Product physical picture



3. Circuit schematic



4. Antenna gain: 0

5. Electrical performance parameters

Wire Diameter:	0.2MM	Inductance:	560UH	Coil Turns:	48T
Lead Wire Method:	Tin on the Lead	Lead Length:	30MM	Test Instrument:	Digital Bridge

6. Manufacturer: Secukey Technology Co., Ltd.