

ASK Super Heterodyne Receiver

General Description:

The ST-RX05A-ASK is ASK Super Heterodyne receiver module, which can be used to receive undecoded data from the range of Summitek Transmitter modules.

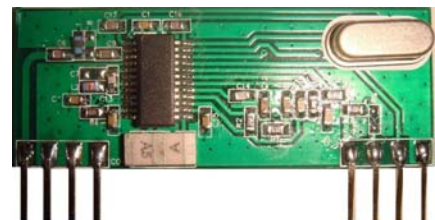
The module is very simple to operated and offers a low current consumption.

Data can be transmitted directly into a microprocessor or decoding device.

All receivers are compatible, producing CMOS/TTL Output ,and only require connections to Power & Antenna.

Features:

- ⊙ ASK Demodulation
- ⊙ Frequency available as 315 or 433MHz
- ⊙ Super Heterodyne RF Receiver
- ⊙ CMOS / TTL Output
- ⊙ Stable Operating Frequency
- ⊙ Low Current Consumption
- ⊙ Wide Operating Voltage:3~5VDC
- ⊙ High Sensitivity : -110dBm



Application:

- ⊙ Wireless Security Systems
- ⊙ Garage Door Controller
- ⊙ Remote Gate Controls
- ⊙ Data Communications
- ⊙ Sensor Reporting

Part Numbers:

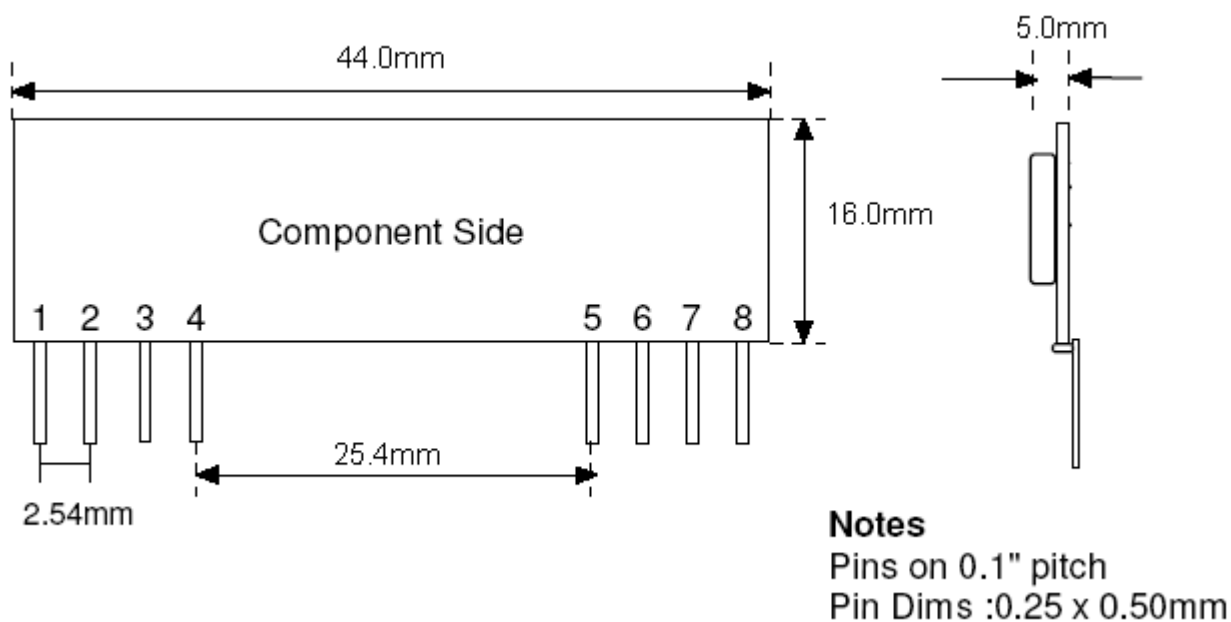
Part Number	Description
ST-RX05A-A315	ASK Super Heterodyne Receiver, 315MHz
ST-RX05A-A433	ASK Super Heterodyne Receiver, 433MHz

Electrical Characteristics

Ambient temp=25 °C VCC=5V 1Kb/s AM99% Square-wave modulation

Characteristic	Min.	Typ.	Max.	Unit
Supply Voltage	2.8	5	5.5	Vdc
Supply Current		5.6		mA
RF Sensitivity		-110		dBm
Working Frequency		315/433.92		MHz
High Level Output	0.7Vcc			VDC
Low Level Output			0.3Vcc	VDC
Bandwidth		280		KHz
Operating Temperature	-40		+85	°C

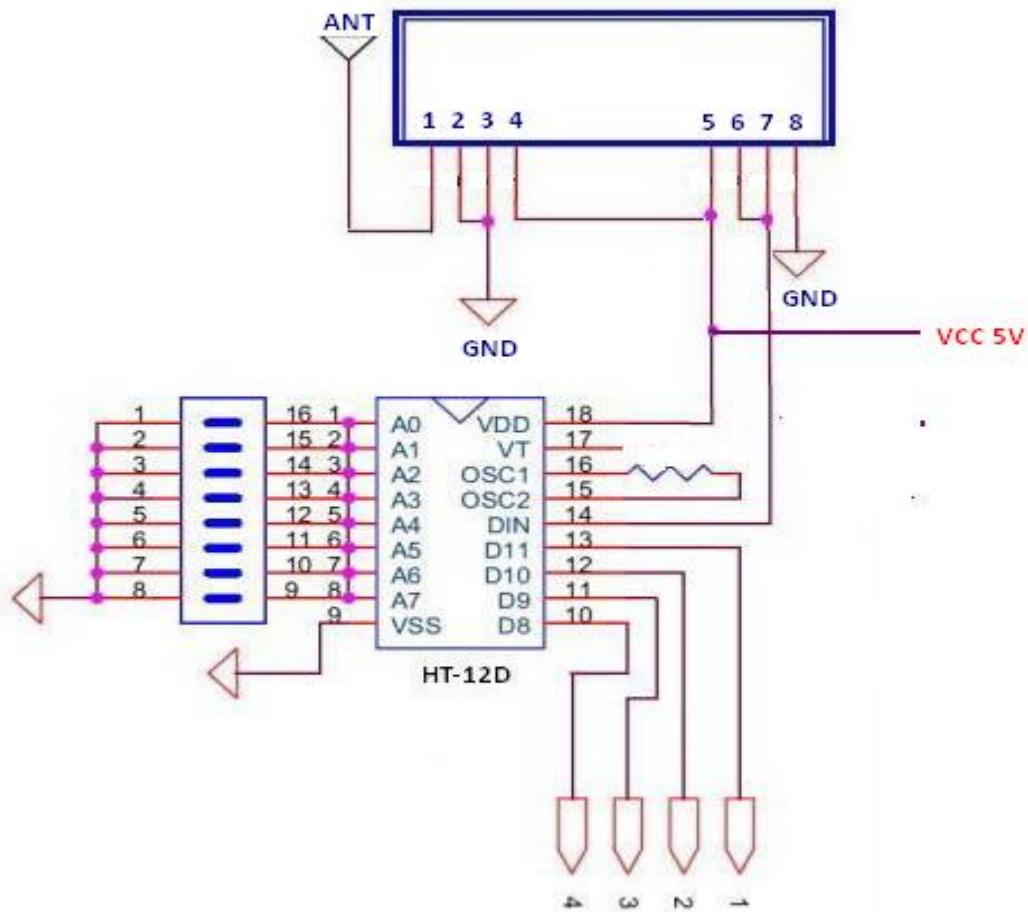
Mechanical Dimension:



Pin Descriptions:

1	ANT	5	VCC
2	GND	6	DATA
3	GND	7	DATA
4	VCC	8	GND

Typical Application:



* Antenna length about :23cm for 315 MHz / 17cm for 434 MHz



SUMMITEK Technology Co.,Ltd.

**1F,NO.16,LANE 32,SEC.1,WUNHUA ROAD,BANCIAO DIST.,NEW TAIPEI CITY,22055
TAIWAN**

Tel :886-2-2969-6293

Fax:886-2-2969-7362

E-Mail:marketing@summitek.com.tw

http://www.summitek.com.tw

General Description:

ST-TX02 is ASK Hybrid SAW based transmitter provides a complete RF transmitter solution, which can be transmitted data from any microprocessor or standard Encode IC.

The compact small size and low cost design keeping the components count down and ensuring the low hardware cost.

The module is compatible with SUMMITEK Technology Ltd. range of ASK receiver modules.

Features:

- ⊙ Wireless security systems
- ⊙ CMOS/TTL Input
- ⊙ No Adjustable Components
- ⊙ Stable Operating Frequency
- ⊙ Low Current Consumption
- ⊙ Wide Operating Range
- ⊙ Available as 315 / 433.92MHz

Applications:

- ⊙ Complete RF Transmitter
- ⊙ Car Alarm systems
- ⊙ Remote controls.
- ⊙ Sensor reporting

PIN Description:

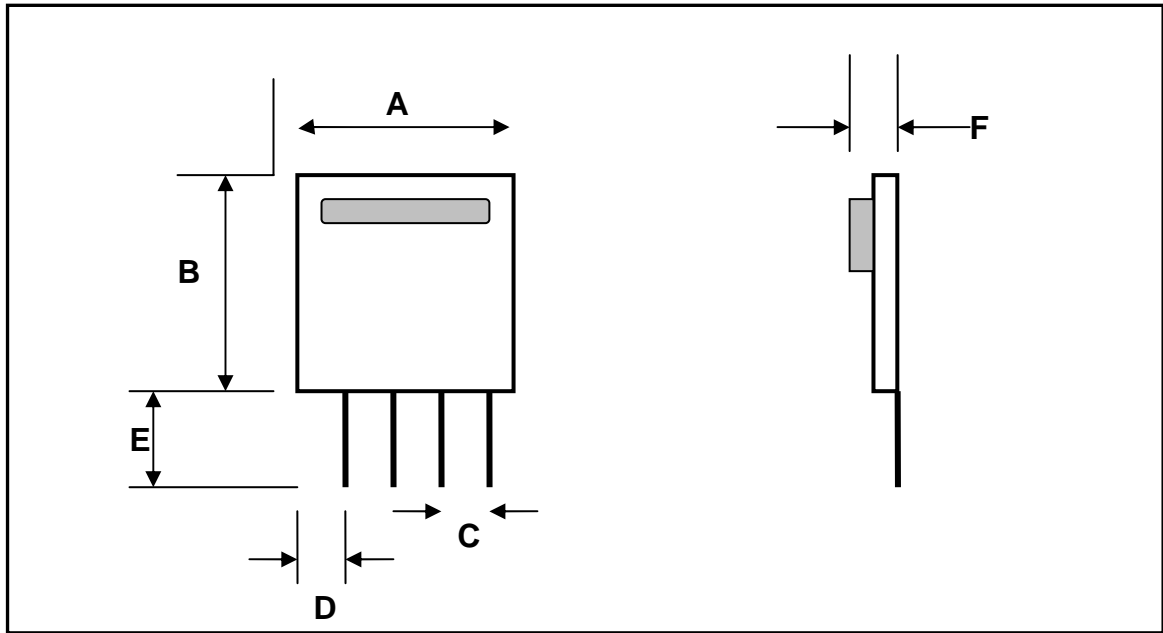


- 1 ANT
- 2 VCC
- 3 DATA
- 4 GND

Absolute Maximum Ratings:

Parameter	Condition	Specification				Unit	
		Min	Typical		Max		
Supply Voltage			3V	5V	9V	12V	V
Output power	DATA Rate:1Kbps	315MHz	4	8	10	15	dBm
		Supply current	7	15	25	33	mA
		434MHz	4	8	10	15	dBm
		Supply current	7	15	25	33	mA
Tune on Time	Data start out by Vcc turn on	10	20			ms	
Data Rate			1k			3k	bps
Input duty	1kbps data rate	45				55	%
Temperature		-30				85	°C

Mechanical Dimension:



Dimensions	Millimeters	Dimensions	Millimeters
A	11.6	D	1.8796
B	13	E	5.5
C	2.54	F	5.2

Unit:mm

Typical Application:

