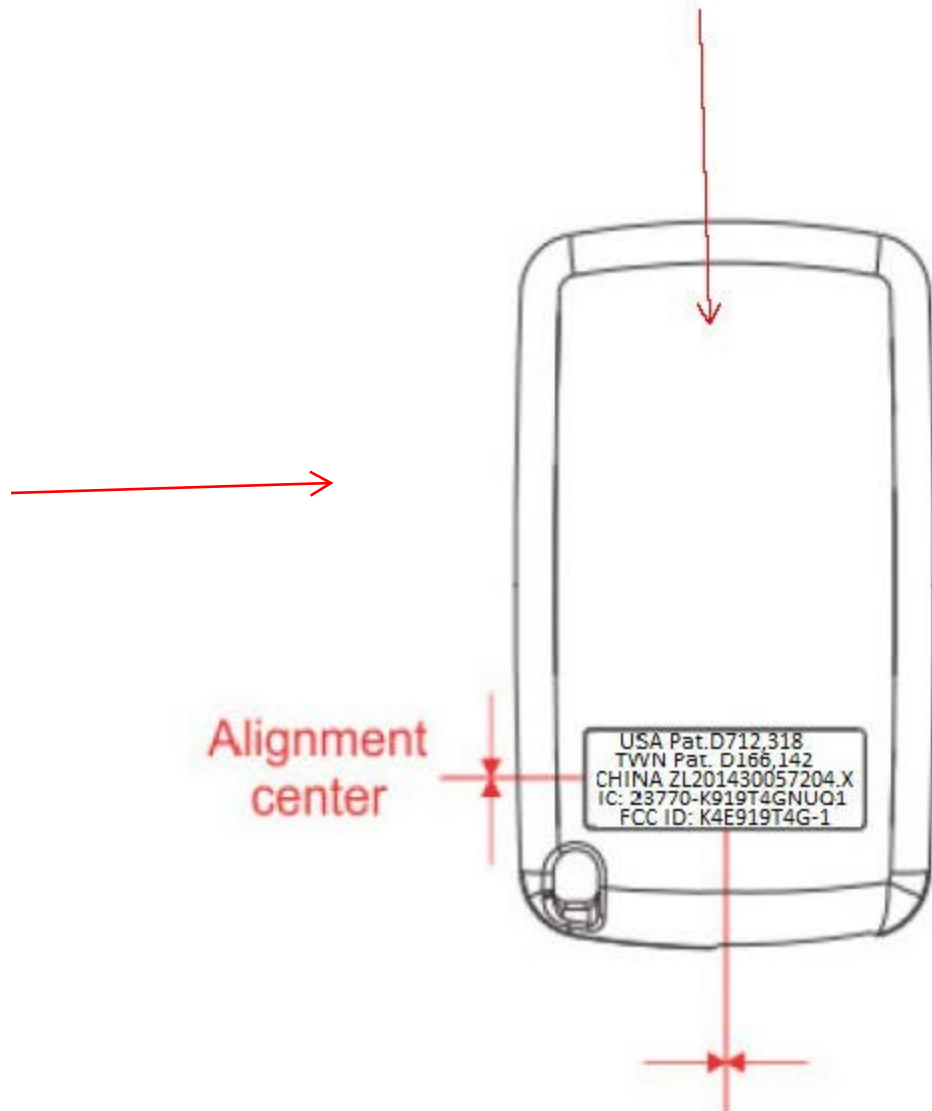


# HVIN: SK-919T1-GBQ1 Bottom Cover Laser Etching



USA Pat.D712,318  
TWN Pat. D166,142  
CHINA ZL201430057204.X  
IC: 23770-K919T4GNUQ1  
FCC ID: K4E919T4G-1

2:1

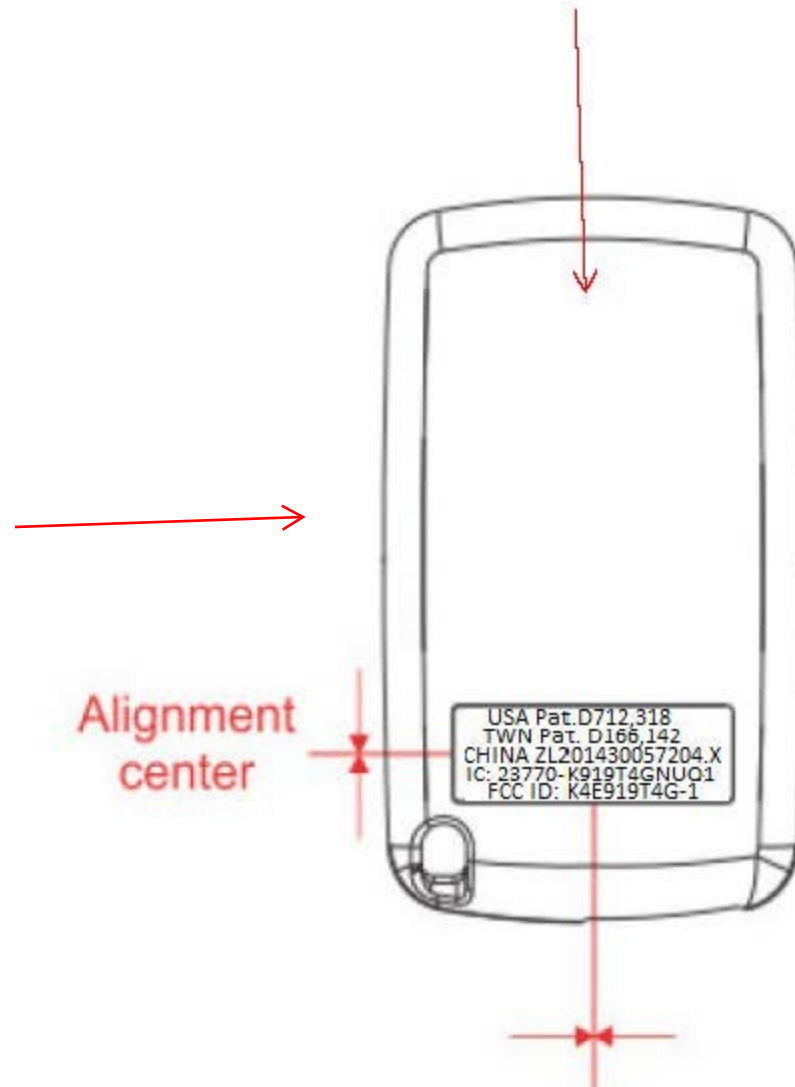


1:1

Alignment center

Sample 1:1

# HVIN: SK-919T1-GBUQ1 Bottom Cover Laser Etching



USA Pat.D712,318  
TWN Pat. D166,142  
CHINA ZL201430057204.X  
IC: 23770-K919T4GNUQ1  
FCC ID: K4E919T4G-1

2:1



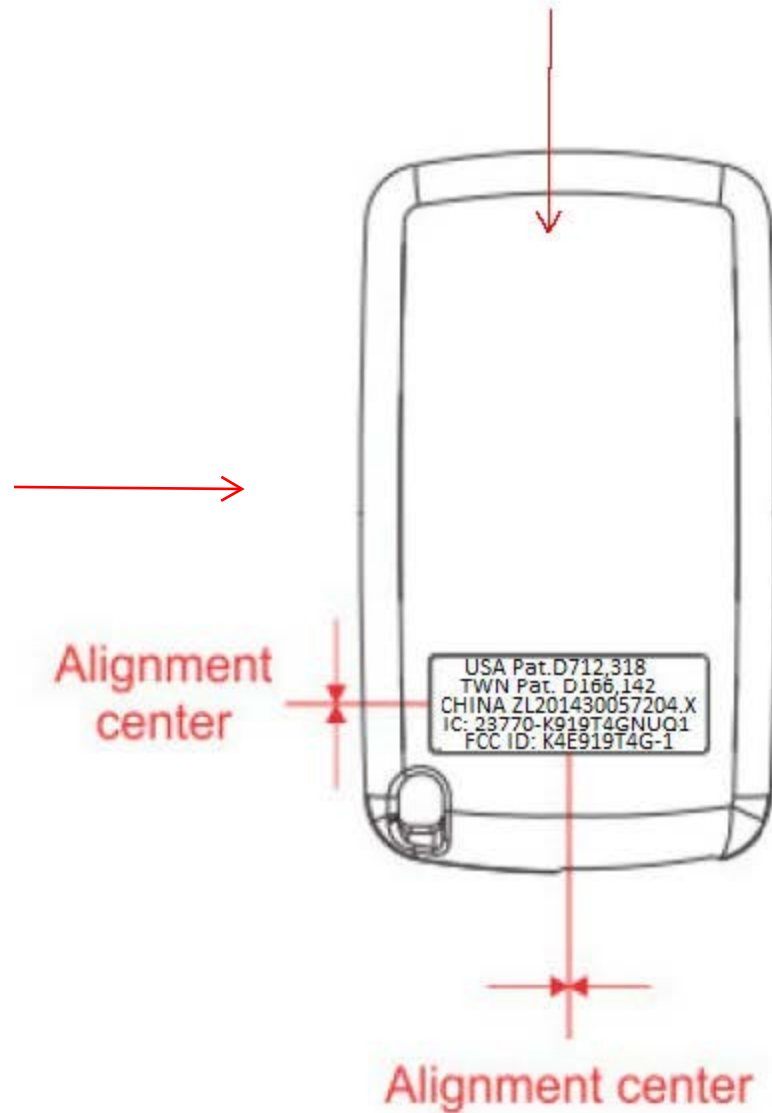
1:1

Alignment center

Sample 1:1

HVIN: SK-919T2-GNQ1

# Bottom Cover Laser Etching



USA Pat.D712,318  
TWN Pat. D166,142  
CHINA ZL201430057204.X  
IC: 23770-K919T4GNUQ1  
FCC ID: K4E919T4G-1

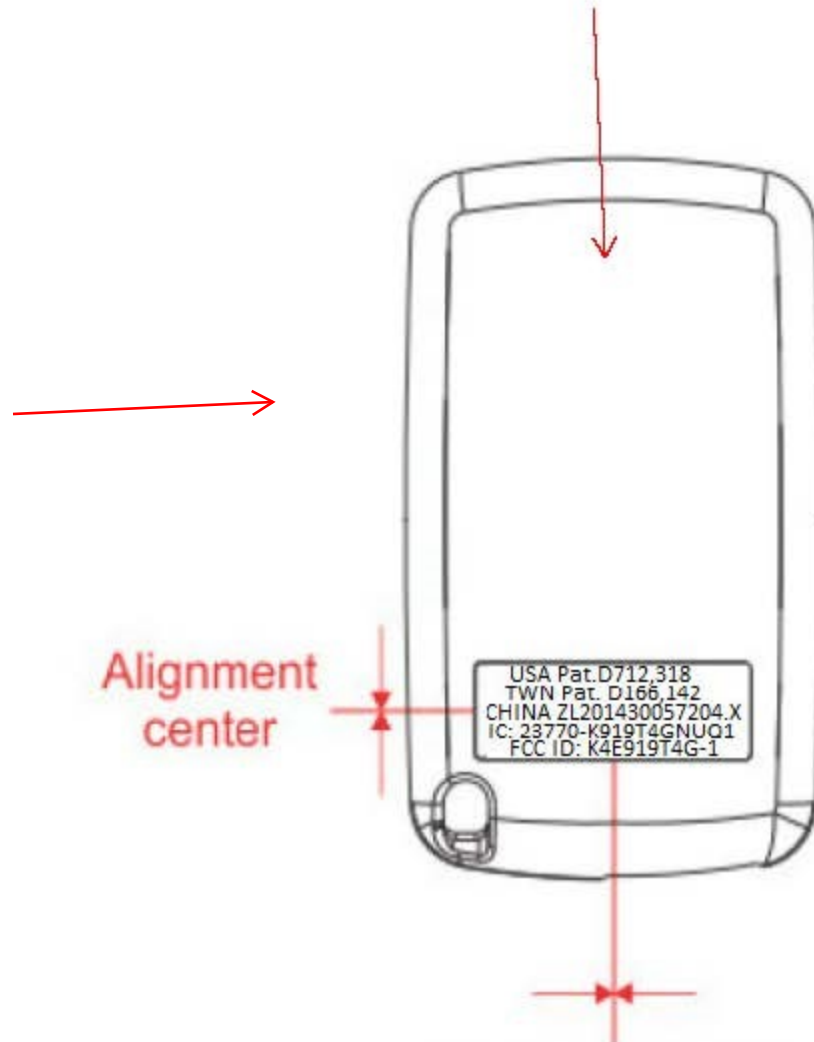
2:1



1:1

Sample 1:1

# HVIN: SK-919T2-GNUQ1 Bottom Cover Laser Etching



USA Pat.D712,318  
TWN Pat. D166,142  
CHINA ZL201430057204.X  
IC: 23770-K919T4GNUQ1  
FCC ID: K4E919T4G-1

2:1

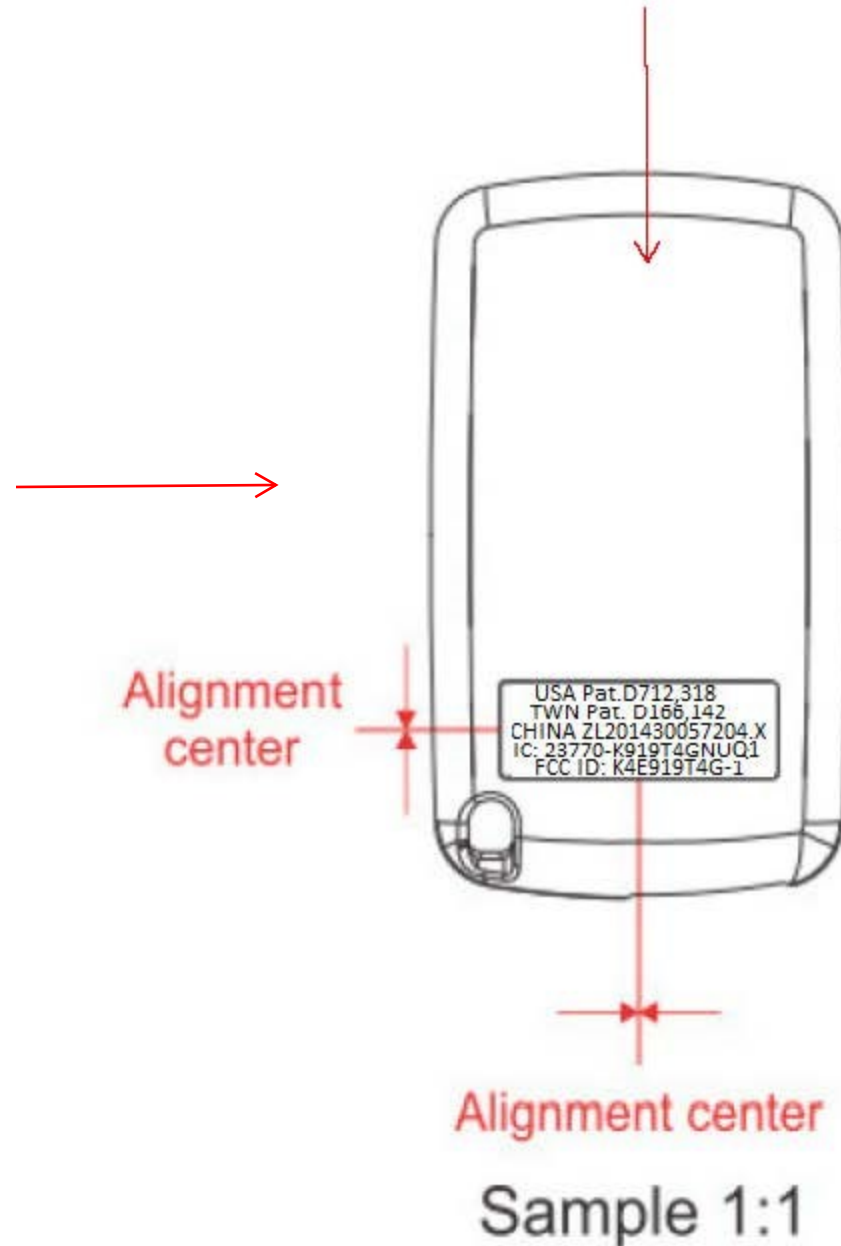


1:1

Alignment center

Sample 1:1

# HVIN: SK-919T3-GNQ1 Bottom Cover Laser Etching

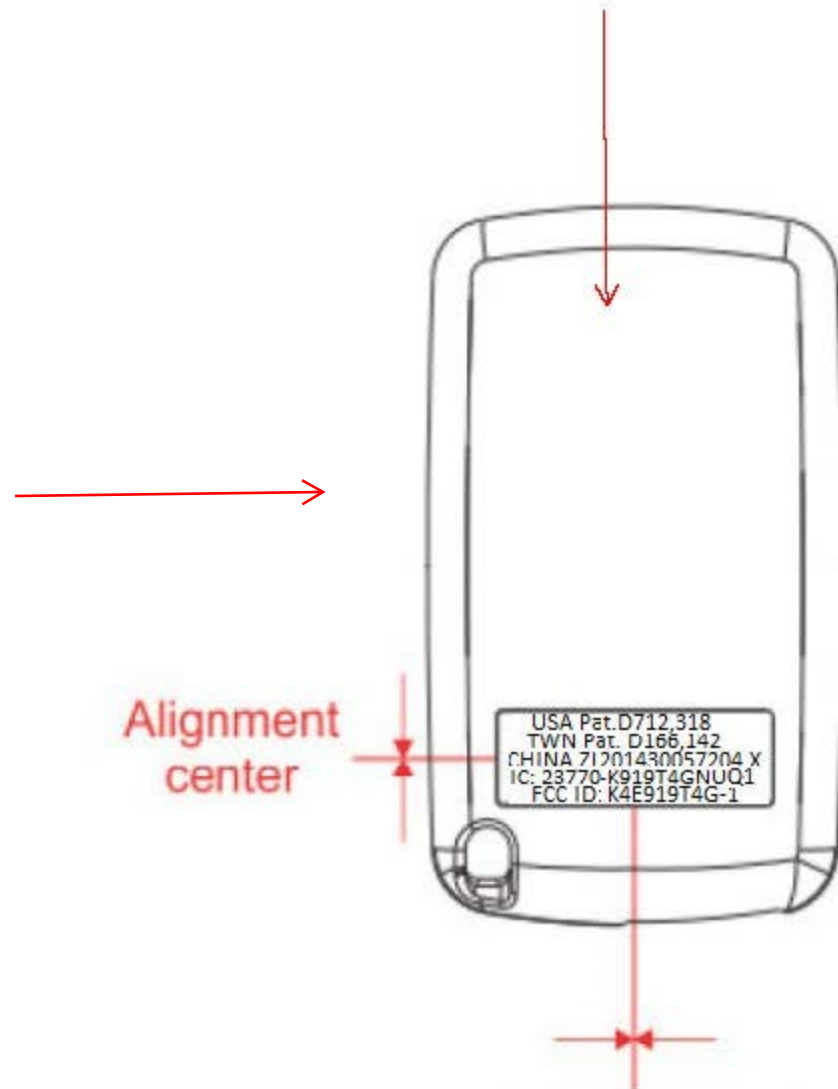


USA Pat.D712,318  
TWN Pat. D166,142  
CHINA ZL201430057204.X  
IC: 23770-K919T4GNUQ1  
FCC ID: K4E919T4G-1

2:1



# HVIN: SK-919T3-GNUQ1 Bottom Cover Laser Etching



Alignment center

Alignment center

Sample 1:1

USA Pat.D712,318  
TWN Pat. D166,142  
CHINA ZL201430057204.X  
IC: 23770-K919T4GNUQ1  
FCC ID: K4E919T4G-1

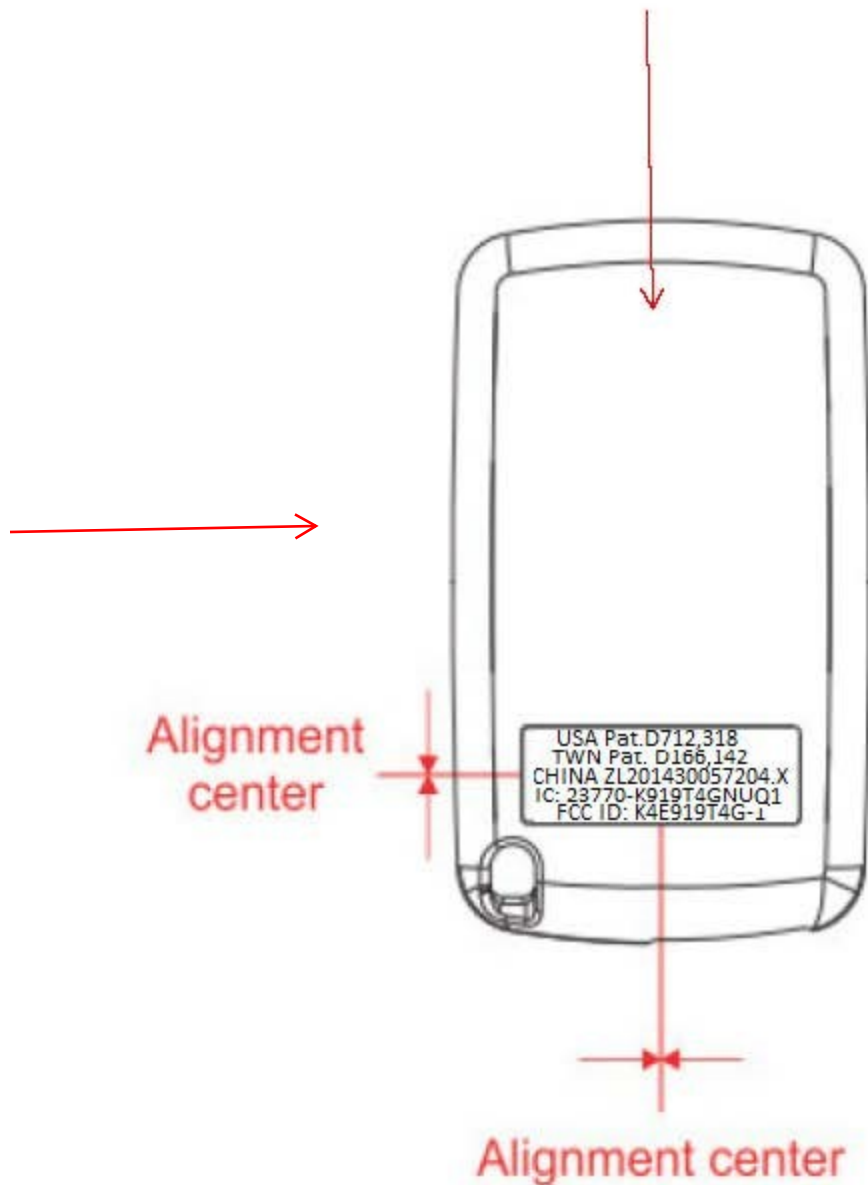
2:1



1:1



# HVIN: SK-919T4-GNQ1 Bottom Cover Laser Etching



Sample 1:1

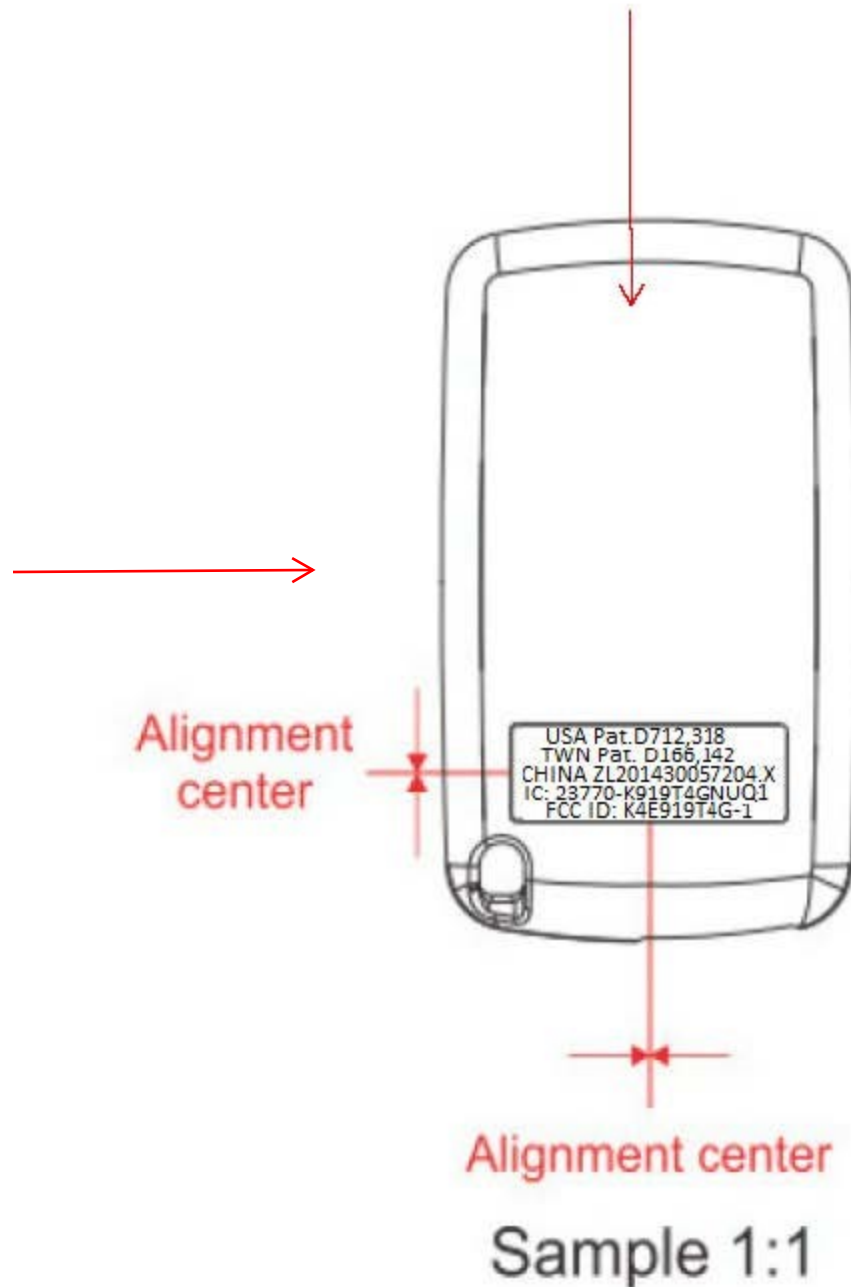
USA Pat.D712,318  
TWN Pat. D166,142  
CHINA ZL201430057204.X  
IC: 23770-K919T4GNUQ1  
FCC ID: K4E919T4G-1

2:1



1:1

# HVIN: SK-919T4-GNUQ1 Bottom Cover Laser Etching



USA Pat.D712,318  
TWN Pat. D166,142  
CHINA ZL201430057204.X  
IC: 23770-K919T4GNUQ1  
FCC ID: K4E919T4G-1

2:1



1:1