



DIGITAL TRANSCEIVER

NX-5000 series
NX-3000 series
TK-D240 TK-D340

USER GUIDE

This User guide covers only the basic operations of your radio. For using details instruction manual, refer to the following URL or QR code.



http://manual.kenwood.com/files/B5K-0508-00.pdf

The AMBE+2™ voice coding Technology embodied in this product is protected by intellectual property rights including patent rights, copyrights and trade secrets of Digital Voice Systems, Inc. This voice coding Technology is licensed solely for use within this Communications Equipment.

Firmware Copyrights
The title to and ownership of copyrights for firmware embedded in KENWOOD product memories are reserved for JVC KENWOOD Corporation.

JVCKENWOOD Corporation

NOTICES TO THE USER

- Government law prohibits the operation of unlicensed radio transmitters within the territories under government control.
Illegal operation is punishable by fine and/or imprisonment.
Refer service to qualified technicians only.

Safety: It is important that the operator is aware of, and understands, hazards common to the operation of any transceiver.

PRECAUTIONS

- Observe the following precautions to prevent fire, personal injury, and transceiver damage.
Do not charge the transceiver and battery pack when they are wet.
Ensure that there are no metallic items located between the transceiver and the battery pack.
Do not use options not specified by KENWOOD.
If the die-cast chassis or other transceiver part is damaged, do not touch the damaged parts.
If a headset or headphone is connected to the transceiver, reduce the transceiver volume.
Do not place the microphone cable around your neck while near machinery that may catch the cable.
Do not place the transceiver on unstable surfaces.
Ensure that the end of the antenna does not touch your eyes.
When the transceiver is used for transmission for many hours, the radiator and chassis will become hot.
Always switch the transceiver power off before installing optional accessories.
The charger is the device that disconnects the unit from the AC mains line.
To dispose of batteries, be sure to comply with the laws and regulations in your country or region.

RADIO FREQUENCY ENERGY SAFETY INFORMATION

This KENWOOD transceiver has been tested and complies with the standards listed below, in regards to Radio Frequency (RF) energy and electromagnetic energy (EME) generated by the transceiver.
FCC RF exposure limits for Occupational Use Only.
FCC OET Bulletin 65 Edition 97-01 Supplement C.
American National Standards Institute (C95.1 - 1992)
American National Standards Institute (C95.3 - 1992)

WARNING

This KENWOOD transceiver generates RF EME while transmitting. RF EME (Radio Frequency Electric & Magnetic Energy) has the potential to cause slight thermal, or heating effects to any part of your body less than the recommended distance from this radio transmitter's antenna.
Occupational/controlled exposure limits are applicable to situations in which persons are exposed to RF energy as a consequence of their employment, and such persons have been made aware of the potential for exposure and can exercise control over their exposure.

- The following list provides you with the information required to ensure that you are aware of RF exposure and of how to operate this transceiver so that the FCC RF exposure limitations are not exceeded.
While transmitting (holding the PTT switch or speaking with VOX enabled), always keep the antenna and the radio at least 3 cm (1 3/16 inches) from your body or face.
Do not transmit for more than 50% of the total transceiver use time.
Use only the specified antenna for this transceiver; this may be either the antenna supplied with the transceiver or another antenna authorized by KENWOOD.

Use only KENWOOD authorized accessories (antennas, battery packs, belt clips, Speaker/Mics or headsets etc.). When worn on the body, always place the radio in a KENWOOD recommended clip or carrying case meant for this product.

CAUTION

To ensure that your exposure to RF EME is within the FCC limits for occupational use, you must observe and adhere to the above points.

Electromagnetic Interference Compatibility
Electronic devices are susceptible to electromagnetic interference (EMI) if they are not adequately shielded or designed for electromagnetic compatibility.
Turn OFF your transceiver where signs are posted to do so.
Turn OFF your transceiver while on board an aircraft when so instructed.

One or more of the following statements may be applicable:

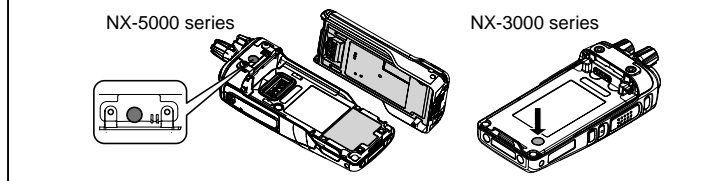
FCC WARNING
This equipment generates or uses radio frequency energy. Changes or modifications to this equipment may cause harmful interference unless the modifications are expressly approved by the party responsible/ JVC KENWOOD. The user could lose the authority to operate this equipment if an unauthorized change or modification is made.

INFORMATION TO THE DIGITAL DEVICE USER REQUIRED BY THE FCC
This equipment has been tested and found to comply with the limits for a Class B digital device, pursuant to Part 15 of the FCC Rules.
This equipment generates, uses and can generate radio frequency energy and, if not installed and used in accordance with the instructions, may cause harmful interference to radio communications.
Reorient or relocate the receiving antenna.
Increase the separation between the equipment and receiver.
Connect the equipment to an outlet on a circuit different from that to which the receiver is connected.
Consult the dealer for technical assistance.

WARNING

Turn the transceiver power off before entering the following locations:
Near explosives or blasting sites.
In aircrafts.
Where restrictions or warnings are posted regarding the use of radio devices.
Near persons wearing pacemakers.
Turn the transceiver power off before entering the following locations, unless the model is specifically qualified for such use (Intrinsically Safe as approved by CSA):
In explosive atmospheres (inflammable gas, dust particles, metallic powders, grain powders, etc.).
While pumping on fuel or while parked at gasoline service stations.

- Do not remove the black sheet from the reverse side of the transceiver.
The orange seal on the reverse side of the transceiver is important with respect to the waterproof efficiency of the transceiver.
Speaker/microphone jack cover.
Speaker/microphone locking bracket.
Channel stopper.
Belt Crip.
Screws for belt clip.
Universal connector cap.
Dressing screw.
Packing.
User guide.



CAUTION

- Do not disassemble or modify the transceiver for any reason.
Do not place the transceiver on or near airbag equipment while the vehicle is running.
Do not transmit while touching the antenna terminal or if any metallic parts are exposed from the antenna covering.
If an abnormal odor or smoke is detected coming from the transceiver, switch the transceiver power off immediately, remove the battery pack from the transceiver, and contact your KENWOOD dealer.
Use of the transceiver while you are driving may be against traffic laws.
Do not expose the transceiver to extremely hot or cold conditions.
Do not carry the battery pack (or battery case) with metal objects.
DANGER of explosion if the battery is incorrectly replaced; replace only with the same type.

INFORMATION CONCERNING THE BATTERY PACK

The battery pack includes flammable objects such as organic solvent. Mishandling may cause the battery to rupture producing flames or extreme heat, deteriorate, or cause other forms of damage to the battery.

DANGER

- Do not disassemble or reconstruct battery.
Do not short-circuit the battery.
Do not incinerate or apply heat to the battery.
Do not leave the battery near fires, stoves, or other heat generators.
Do not immerse the battery in water or get it wet by other means.
Do not charge the battery near fires or under direct sunlight.
Use only the specified charger and observe charging requirements.
Do not pierce the battery with any object, strike it with an instrument, or step on it.
Do not jar or throw the battery.
Do not use the battery pack if it is damaged in any way.
Do not solder directly onto the battery.
Do not reverse the battery polarity (and terminals).
Do not reverse-charge or reverse-connect the battery.
Do not touch a ruptured and leaking battery.

WARNING

- Do not charge the battery for longer than the specified time.
Do not place the battery pack into a microwave or high pressure container.
Keep ruptured and leaking battery packs away from fire.
Do not use an abnormal battery.
Do not change or charge the battery in hazardous locations.

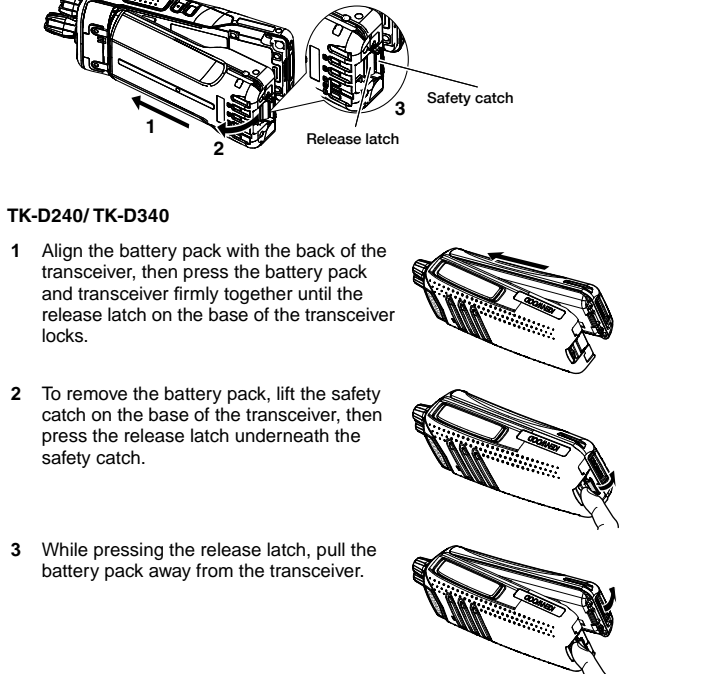
SUPPLIED ACCESSORIES

Carefully unpack the transceiver. We recommend that you identify the items listed in the following list before discarding the packing material.
When not using an optional speaker/microphone or headset, to keep the transceiver water resistant, you must cover the speaker/microphone jacks or universal connector with the supplied cover/cap.

Table with 4 columns: Item, NX-5000 series, NX-3000 series, NX-3400 TK-3420, TK-D240 TK-D340. Lists accessories like Antenna, Battery charger, Speaker/microphone jack cover, etc.

PREPARATION INSTALLING/ REMOVING THE BATTERY PACK

- Match the guides of the battery pack with the grooves on the upper rear of the transceiver.
Lock the safety catch to prevent accidentally releasing the battery pack.
To remove the battery pack, lift the safety catch, press the release latch, then pull the battery pack away from the transceiver.



TK-D240/ TK-D340

- Align the battery pack with the back of the transceiver.
To remove the battery pack, lift the safety catch on the base of the transceiver.
While pressing the release latch, pull the battery pack away from the transceiver.

INFORMATION ON SOFTWARE LICENSE

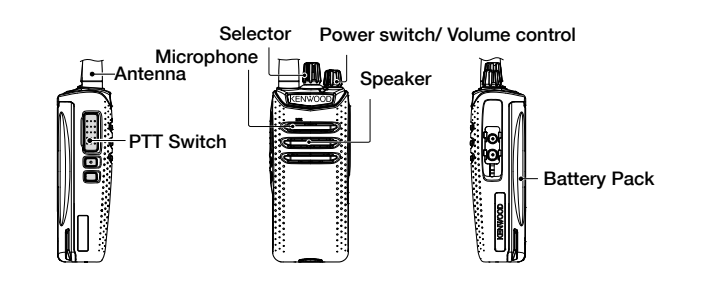
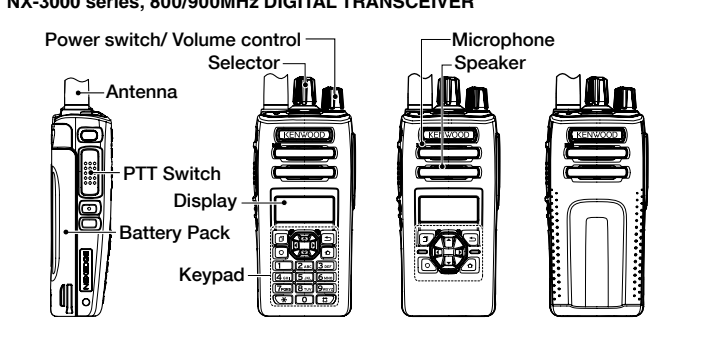
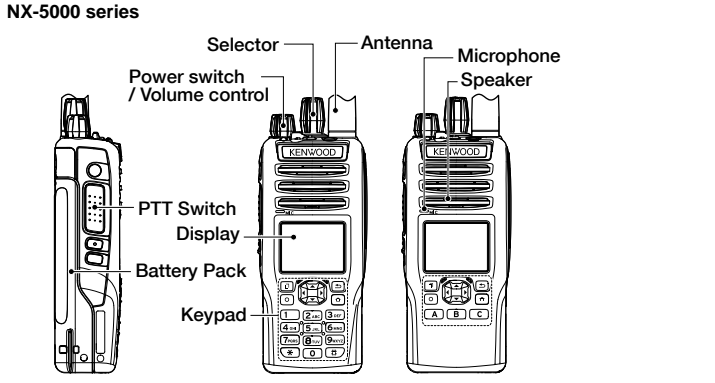
This transceiver uses a software according to the following license agreements.
*zlib LICENSE
Copyright (C) 1995-2013 Jean-loup Gailly and Mark Adler
This software is provided 'as-is', without any express or implied warranty.
*libpng LICENSE
This copy of the libpng notices is provided for your convenience.
COPYRIGHT NOTICE, DISCLAIMER, and LICENSE:

libpng versions 1.0.7, July 1, 2000, through 1.2.5 - October 3, 2002, are Copyright (c) 2000-2002 Glenn Randers-Pehrson, and are distributed according to the same disclaimer and license as libpng-0.96 with the following individuals added to the list of Contributing Authors:
Simon-Pierre Cadieux, Eric S. Raymond, Gilles Vollant, and the following additions to the disclaimer:
There is no warranty against interference with your enjoyment of the library or against infringement.
libpng versions 0.97, January 1998, through 1.0.6, March 20, 2000, are Copyright (c) 1998, 1999 Glenn Randers-Pehrson, and are distributed according to the same disclaimer and license as libpng-0.96 with the following individuals added to the list of Contributing Authors:
Tom Lane, Glenn Randers-Pehrson, Willem van Schaik

libpng versions 0.89, June 1996, through 0.96, May 1997, are Copyright (c) 1996, 1997 Andreas Dilger Distributed according to the same disclaimer and license as libpng-0.88, with the following individuals added to the list of Contributing Authors:
John Bowler, Kevin Bracey, Sam Bushell, Magnus Holmgren, Greg Roeloffs, Tom Tanner
libpng versions 0.5, May 1995, through 0.88, January 1996, are Copyright (c) 1995, 1996 Guy Eric Schalnat, Group 42, Inc.
For the purposes of this copyright and license, "Contributing Authors" is defined as the following set of individuals:
Andreas Dilger, Dave Martindale, Guy Eric Schalnat, Paul Schmidt, Tim Wegner

The PNG Reference Library is supplied "AS IS". The Contributing Authors and Group 42, Inc. disclaim all warranties, expressed or implied, including, without limitation, the warranties of merchantability and of fitness for any purpose.
Permission is hereby granted to use, copy, modify, and distribute this source code, or portions hereof, for any purpose, without fee, subject to the following restrictions:
1. The origin of this source code must not be misrepresented.
2. Altered versions must be plainly marked as such and must not be misrepresented as being the original source.
3. This Copyright notice may not be removed or altered from any source or altered source distribution.
The Contributing Authors and Group 42, Inc. specifically permit, without fee, and encourage the use of this source code as a component to supporting the PNG file format in commercial products.
A "png_get_copyright" function is available, for convenient use in "about" boxes and the like:
png_get_copyright(png_ptr, ©right);
Also, the PNG logo (in PNG format, of course) is supplied in the files "pngbar.png" and "pngbar.jpg" (88x31) and "pngwng.png" (98x31).
libpng is OSI Certified Open Source Software. OSI Certified Open Source is a certification mark of the Open Source Initiative.
Glenn Randers-Pehrson
glennrp at users.sourceforge.net
December 19, 2013
*Mds
Copyright (C) 1999, 2000, 2002 Aladdin Enterprises. All rights reserved.
This software is provided 'as-is', without any express or implied warranty.
In no event will the authors be held liable for any damages arising from the use of this software.
Permission is granted to anyone to use this software for any purpose, including commercial applications, and to alter it and redistribute it freely, subject to the following restrictions:
1. The origin of this software must not be misrepresented; you must not claim that you wrote the original software.
2. Altered source versions must be plainly marked as such, and must not be misrepresented as being the original software.
3. This notice may not be removed or altered from any source distribution.
L. Peter Deutsch
ghost@aladdin.com

BASIC OPERATION



SWITCHING POWER ON/OFF
Turn the Power switch/Volume control clockwise to switch the transceiver ON.
Turn the Power switch/Volume control counterclockwise fully to switch the transceiver OFF.

ADJUSTING THE VOLUME
Rotate the Power switch/Volume control to adjust the volume. Clockwise increases the volume and counterclockwise decreases it.

SELECTING A ZONE AND CHANNEL
Select the desired zone using the Selector or the buttons programmed as [Zone Up]/[Zone Down]. Each zone contains a group of channels.
Select the desired channel using the Selector. Each channel is programmed with settings for transmitting and receiving.

TRANSMITTING
1 Select the desired zone and channel.
2 Press the key programmed as [Monitor] or [Squelch Off] to check whether or not the channel is free.
3 If the channel is busy, wait until it becomes free.
Press the PTT switch and speak into the microphone. Release the PTT switch to receive.
For best sound quality, hold the transceiver approximately 1.5 inches (3 - 4 cm) from your mouth.

RECEIVING
Select the desired zone and channel. If signaling has been programmed on the selected channel, you will hear a call only if the received signal matches your transceiver settings.

Receiving Group Calls (Digital)
When you receive a group call on a Conventional channel and the received group ID matches the ID set up on your transceiver, you can hear the caller's voice.
When you receive a group call on a Trunking channel, the transceiver automatically switches to the communications channel to receive the call.

Receiving Individual Calls (Digital)
When you receive an individual call, a ringing tone will sound and the caller's ID will appear on the display. To respond to the call, press and hold the PTT switch and speak into the transceiver as you would during a normal transmission.

This device contains licence-exempt transmitter(s)/receiver(s) that comply with Innovation, Science and Economic Development Canada's licence-exempt RSS(s). Operation is subject to the following two conditions:
1. This device may not cause interference.
2. This device must accept any interference, including interference that may cause undesired operation of the device.
(NX-5000/ NX-3000 series)

SUPPLIER'S DECLARATION OF CONFORMITY
47 CFR § 2.1077 Compliance Information
Trade name: KENWOOD
Model(s): NX-5000 series, NX-3000 series, NX-D240 and NX-D340
Responsible party: JVCKENWOOD USA Corporation 1440 Corporate Drive, Irving, TX 75038
Telephone number: 972-819-0700

This device complies with part 15 of the FCC Rules. Operation is subject to the following two conditions: (1) This device may not cause harmful interference, and (2) this device must accept any interference received, including interference that may cause undesired operation.

The RBRC Recycle seal found on KENWOOD lithium-ion (Li-ion) battery packs indicates KENWOOD's voluntary participation in an industry program to collect and recycle Li-ion batteries after their operating life has expired.
For information on Li-ion battery recycling in your area, call (toll free) 1-800-8-BATTERY (1-800-822-8837).

The RBRC Recycle seal found on KENWOOD nickel metal hydride (Ni-MH) battery packs indicates KENWOOD's voluntary participation in an industry program to collect and recycle Ni-MH batteries after their operating life has expired.
For information on Ni-MH battery recycling in your area, call (toll free) 1-800-8-BATTERY (1-800-822-8837).



SD™ and microSD™ are trademarks of SD-3C, LLC in the United States and/or other countries.
SD™ et microSD™ sont des marques commerciales de SD-3C, LLC aux États-Unis et/ou dans d'autres pays.
SD™ y microSD™ son marcas comerciales de SD-3C, LLC en los Estados Unidos y/o en otros países.
The Bluetooth® word mark and logo are registered trademarks owned by the Bluetooth SIG, Inc. and any use of such marks by JVC KENWOOD Corporation is under license.
La marque et le logo Bluetooth® sont des marques déposées appartenant à Bluetooth SIG, Inc. et toute utilisation de ces marques par JVC KENWOOD Corporation est sous licence.
La marca denominativa y el logo de Bluetooth® son marcas comerciales registradas propiedad de Bluetooth SIG, Inc. y cualquier uso de dichas marcas por JVC KENWOOD Corporation se encuentra bajo licencia.
Other trademarks and trade names are those of their respective owners.