



TEST REPORT

REGULATION : FCC Part 22, 74, 90

Applicant	Testing Laboratory
JVCKENWOOD Corporation 1-16-2, Hakusan, Midori-ku, Yokohama-shi Kanagawa, 226-8525 Japan Tel.: +81 45 939 6254 Fax.: +81 45 939 6261	Intertek Japan K.K. Kashima Laboratory URL: http://www.japan.intertek-etlsemko.com (No.12 Test site) 298-6 Sada, Kashima, Ibaraki 314-0027 Japan Tel. +81 299 82 8464

Equipment type	UHF DIGITAL TRANSCEIVER
Trademark	KENWOOD
Model(s)	NX-5800H-F
Serial No.	No.9
FCC ID	K44499300
Test Result	Complied
Report Number	19090157JKA-002
Original Issue Date	October 24, 2019

This report is for the exclusive use of Intertek's Client and is provided pursuant to the agreement between Intertek and its Client. Intertek's responsibility and liability are limited to the terms and conditions of the agreement. Intertek assumes no liability to any party, other than to the Client in accordance with the agreement, for any loss, expense or damage occasioned by the use of this report. Only the Client is authorized to permit copying or distribution of this report and then only in its entirety. Any use of the Intertek name or one of its marks for the sale or advertisement of the tested material, product or service must first be approved in writing by Intertek. The observations and test results in this report are relevant only to the sample tested. This report by itself does not imply that the material, product, or service is or has ever been under an Intertek certification program.

Approved by

Hideaki Kosemura

[Technical Manager]

Tested by

Koichi Wagatsuma

[Engineer]



In Accordance with FCC Rules and Regulations, Volume II, Part 2 and 90

Sub-part 2.1033

Applicant and Manufacture Information	
APPLICANT	
Company	: JVCKENWOOD Corporation
Address	: 1-16-2, Hakusan, Midori-ku, Yokohama-shi Kanagawa, 226-8525 Japan
Contact Person	: Tamaki Shimamura Manager, Communications Systems Division
MANUFACTURER	
Company	: JVCKENWOOD Corporation
Address	: 1-16-2, Hakusan, Midori-ku, Yokohama-shi Kanagawa, 226-8525 Japan
(c)(2) FCC ID	
FCC ID	: K44499300
Model number	: NX-5800H-F
Serial number	: No.9
Instruction Manual(S)	
Instruction manual(s)	: Please refer to attached Exhibits F
Type of Emission	
Emission Designation	: 16K0F3E(Wide) 11K0F3E(Narrow) 8K10F1E(Narrow) / 8K10F1D(Narrow) / 8K10F1W(Narrow) 8K30F1E(Narrow) / 8K30F1D(Narrow) / 8K30F7W(Narrow) 4K00F1E(Very Narrow) / 4K00F1D(Very Narrow) / 4K00F7W(Very Narrow) 4K00F2D(Very Narrow)
Frequency range	
Frequency Range	: 450 to 512 MHz 16K0F3E is 470 - 512 MHz Only
Power Rating	
Output Power	: 25 to 100 W
Type	: Continuously Variable
Maximum Power Rating	
Output Power	: 100 W
Voltages & currents in all elements in final RF stage, including final transistor or solid-state device	
Collector Current, A	: 28.0 A Maximum
Collector Voltage, Vdc	: 13.4Vdc ± 15%
Supply Voltage, Vdc	: 13.4 Vdc
Other Information	
Number of Channel	: Zone 128max. Cannels 512 max.(per Zone)
Maximum Deviation	: ± 5 kHz (16K0F3E), ± 2.5 kHz (11K0F3E)
Frequency Stability	: 1.0 ppm
Antenna Impedance	: 50 Ω Norminal
Note	
This information was provided by the Applicant or customer. Intertek doesn't take any responsibility for the information.	

TABLE OF CONTENTS

	Page
SECTION 1. GENERAL INFORMATION	4
0	5
SECTION 3. TEST AND MEASUREMENT DATA	6
SECTION 4. INFORMATION ABOUT EUT AND SUPPORT EQUIPMENT(S)	7
SECTION 5. SUPPORT EQUIPMENT	8
SECTION 6. USED CABLE(S)	9
SECTION 7. TEST CONFIGURATION	10
SECTION 8. OPERATING CONDITION	11
SECTION 9. MEASUREMENT UNCERTAINTY	12
SECTION 10. TEST DATA	
10.1 Carrier Output Power (Conducted)	13
10.2 Unwanted Emissions (Transmitter Conducted)	16
10.3 Field Strength of Spurious Radiation	19
10.4 Emission Masks (Occupied Bandwidth)	23
10.5 Transient Frequency Behavior	32
10.6 Audio Frequency Response / Audio Low Pass Filter (Voice Input)	40
10.7 Modulation Limiting	44
10.8 Frequency Stability (Temperature Variation)	48
10.9 Frequency Stability (Voltage Variation)	51
10.10 Necessary Bandwidth and Emission Bandwidth	53
APPENDIX PHOTOGRAPHS	

SECTION 1. GENERAL INFORMATION

TEST PERFORMED

Location	Kashima No.12 Test Site		
EUT Received	September 19, 2019		
Date of Test	September 20, 2019	to	October 15, 2019
Standard Applied	FCC Part 22, 74, 90		
Measurement Method	ANSI/TIA-603-E-2016 ANSI C63.26 2015		
Deviation from Standard(s)	Not applicable		

QUALIFICATIONS OF TESTING LABORATORY (Kashima Lab.)

ACCREDITATION	SCOPE	LAB. CODE	Remarks
VLAC	Wireless / EMC Testing	VLAC-008-1	JAPAN
NVLAP	Wireless Testing	600233-0	USA
FCC	Wireless / EMC Testing	JP0008	USA
ISED	Wireless Testing	JP0008(CABID)	Canada
FILING			
VCCI	EMC Testing	A-0126	JAPAN
CB-Scheme	EMC Testing	TL222	IECEE

ABBREVIATIONS

EUT	Equipment Under Test	DoC	Declaration of Conformity
AMN	Artificial Mains Network	ISN	Impedance Stabilization Network
LISN	Line Impedance Stabilization Network	Q-P	Quasi-peak
AMP	Amplifier	AVG	Average
ATT	Attenuator	PK	Peak
ANT	Antenna	Cal	Calibration
BBA	Broadband Antenna	N/A	Not applicable or Not available
DIP	Dipole Antenna	LCD	Liquid-Crystal Display
AE	Associated Equipment	4LEVEL FSK	4LEVEL Frequency Shift Key
GMSK	Gaussian Maximum Shift Key	CW ID	Continuously Repeating bit stream
FM	Frequency Modulation	C4FM	Constant envelope 4 Level FM
PTT	Push to Talk	AFC	Automatic frequency control

Revision Summary

Revised Date	Section	Description of Changes

SECTION 2. SUMMARY OF TEST RESULT

TEST ITEM				RESULTS	Comments
	Part22	Part74	Part90		
Carrier Output Power (Conducted)	-	74.461	-	2.1046 (a)	PASS
Unwanted Emissions (Transmitter Conducted)	22.359	-	90.210	2.1051	PASS
Field Strength of Spurious Radiation	22.359	-	90.210	2.1053 (a)	PASS
Emission Masks (Occupied Bandwidth)	22.359	74.462	90.210	2.1049 (c) (1)	PASS
Transient Frequency Behavior	-	-	90.214	-	PASS
Audio Low Pass Filter (Voice Input)	-	-	-	2.1047 (a)	PASS
Audio Frequency Response	-	-	-	2.1047 (a)	PASS
Modulation Limiting	-	-	-	2.1047 (b)	PASS
Frequency Stability (Temperature Variation)	22.355	74.464	90.213 (a)	2.1055 (a) (1)	PASS
Frequency Stability (Voltage Variation)	22.355	74.464	90.213 (a)	2.1055 (d) (1)	PASS
Certification required (FCC Part 90.203(j)(3))	-	-	90.203 (j)(3)	-	Complied
Certification required (FCC Part 90.203(j)(4))	-	-	90.203 (j)(4)	-	Complied
Certification required (FCC Part 90.203(j)(5))	-	-	90.203 (j)(5)	-	Complied
Certification required (FCC Part 90.203(e))	-	-	90.203 (e)	-	Complied

Limitation on Results

The test result of this report is effective equipment under test itself and under the test configuration described on the report. This test report dose not assure that whether the test result taken in other testing laboratory is compatible or reproducible to the test result on this report or not.

Note:

As for the FCC Part 15 Subpart B-Unintentional Radiators, the EUT has been measured and declared as Supplier's Declaration of Conformity (SDoC) by JVCKENWOOD Corporation.

SECTION 3. TEST AND MEASUREMENT DATA

All test and measurements indicated in this document were performed in accordance with the Code of Federal Regulations Title 47 Part 2, Sub-part J and Industry Canada as the following individual parts:

FCC Rule	Test Item	Tested
Part 22	Non Cellular	YES
Part 74	Experimental Radio Auxiliary , Special Broadcast and Other Program Distributional Services	YES
Part 90	Private Land Mobile radio Services	YES

SECTION 4. INFORMATION ABOUT EUT AND SUPPORT EQUIPMENT(S)

4.1 List of System Configuration

Symbol	Item	Model No.	Serial No.	Manufacture	Remarks
A	UHF DIGITAL TRANSCIVER	NX-5800H-F	No.9	JVCKENWOOD Corporation	EUT
Power Ratings of EUT :		13.4Vdc ± 15%		28.0 A Maximum	
Power Supply :		13.4 Vdc			
Condition of Equipment		Proto type			
Type		Mobile Device			
Suppression Devices		No Modifications by the laboratory were made to the device			

4.2 Port(s)/Connector(s)

Port Name	Connector Type	Connector Pin	Remarks
RF Antenna	M	2pin	
GPS Antenna	SMA	2 pin	
ACC	Molex9P	9 pin	
ACC	D-sub	25pin	
ACC	B to B connector	16pin	
USB	Micro AB	5pin	For maintenance

4.3 Highest Frequency Oscillator(s)/Crystal(s)

Operating Frequency	Board Name	Remarks
512 MHz	TXRX UNIT	
4960 MHz	Bluetooth UNIT	
3142.648 MHz	GPS UNIT	

Note:
 This information was provided by the Applicant or customer.
 Intertek doesn't take any responsibility for the information.

SECTION 5. SUPPORT EQUIPMENT

The EUT was supported by the following equipment during the test.

Example: Case of Section 10.3Test

Symbol	Item	Model No.	Serial No.	Manufacture	FCC ID	Remarks
B	REMOTE CONTROL HEAD	KCH-19	None	JVCKENWOOD	N/A	See Note
C	SECURE CRYPTOGRAPHIC MODULE	KWD-AE30	No.9	JVCKENWOOD	N/A	See Note
D	Micro SD card	THNSQ008GCB 6KE(LB6)	None	TOSHIBA DEVICE CORPORATION	DoC	See Note
E	TX Jig	None	None	JVCKENWOOD	N/A	See Note
F	External Speaker	KES-5	None	JVCKENWOOD	N/A	See Note
G	External Speaker	KES-5	None	JVCKENWOOD	N/A	See Note
H	Dummy Load	CT-150NP	1138693	TME	N/A	
I	DC Power Supply	GZV4000	90290931	Daiichi denpa kogyo	N/A	
J	GPS Antenna	KRA-40G	None	JVCKENWOOD	N/A	See Note
K	External MIC KIT	KCT-73MIC	None	JVCKENWOOD	N/A	See Note
L	External PTT KIT	KCT-74PTT	None	JVCKENWOOD	N/A	See Note
M	External Speaker	KES-5	None	JVCKENWOOD	N/A	See Note
N	REMOTE KIT	KRK-14H	None	JVCKENWOOD	N/A	See Note

Supplied Power:

M, N	AC 100V,60Hz
------	--------------

Note: This information was provided by the Applicant or customer.
 Intertek doesn't take any responsibility for the information.

SECTION 6. USED CABLE(S)

The following cable(s) was used for the test.

Example: Case of Section 10.3Test

No.	Name	Length (m)	Shield	Metal		Remarks
				Connector	Ferrite core	
1	TX Jig CABLE	0.50	No	No		See Note
2	USB Cable	0.22	Yes	Yes		See Note
3	REMOTE CABLE (KCT-71 M3)	7.60	Yes	Yes		See Note
4	ACC Cable	2.00	Yes	Yes		See Note
5	ACC Cable	0.20	No	No		See Note
6	DC cable	0.25	No	No		See Note
7	DC cable	3.00	No	No		See Note
8	GPS Antenna cable	2.00	Yes	Yes		See Note
9	ACC Cable	0.32	No	No		See Note
10	Ignition sense cable (KCT-18)	3.20	No	No		See Note
11	Speaker cable	3.00	No	No		See Note
12	Speaker cable	3.00	No	No		See Note
13	Speaker cable	3.00	No	No		See Note
14	External MIC KIT cable	3.00	No	No		See Note
15	External PTT KIT cable	3.00	No	No		See Note
16	Power cable for DC Power Supply	1.50	No	No		
17	Ignition sense cable (KCT-18)	3.20	No	No		See Note

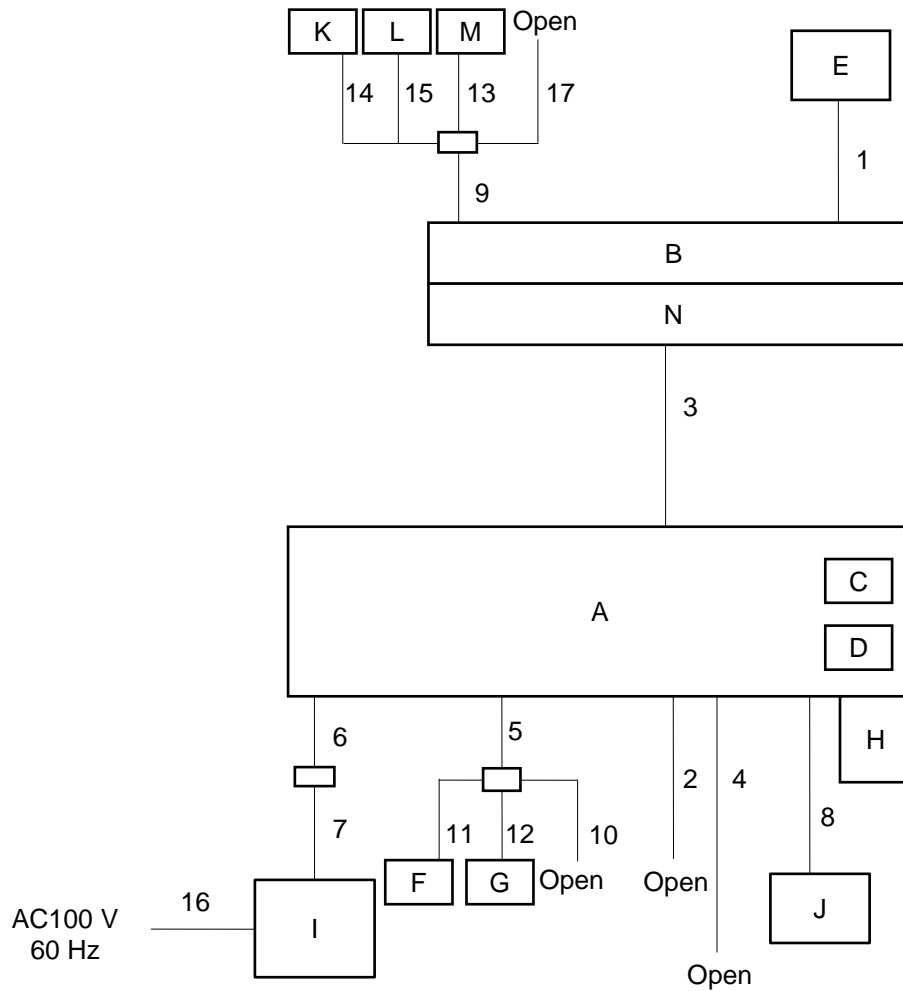
Note: This information was provided by the Applicant or customer.
 Intertek doesn't take any responsibility for the information.

SECTION 7. TEST CONFIGURATION

Details of Configuration and Connection

Example: Case of Section 10.3Test

* : EUT
□ : Joint Connector



SECTION 8. OPERATING CONDITION

The EUT was operated under the following condition during the test.

8.1 Operating Condition

The test was carried out under Transmit mode.

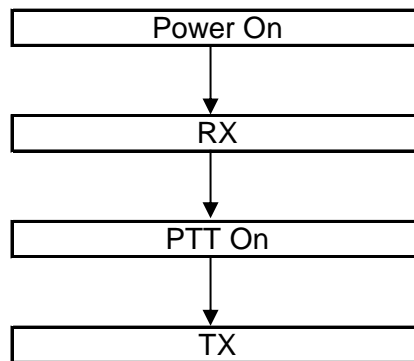
(FCC: 450.05 MHz, 481.05 MHz, 511.95 MHz,

16K0F3E : 470.05MHz, 491.05MHz, 511.95MHz)

(High Power : 100W, Low Power : 25W)

8.2 Operating Flow [Transmit mode]

Following operations were performed continuously.



SECTION 9. MEASUREMENT UNCERTAINTY

	U_{lab}	Utia-603-e
Carrier Output Power (Conducted)	+/- 0.29dB ($k = 2$)	+/- 0.59 dB
Unwanted Emissions (Transmitter Conducted)	+/- 2.19 dB ($k = 2$)	+/- 1.1 dB
Field Strength of Spurious Radiation	+/- 2.78dB ($k = 2$)	+/- 3.3 dB
Emission Masks (Occupied Bandwidth)	+/- 0.87dB ($k = 2$)	+/- 2.1 dB
Transient Frequency Behavior	+/- 2.28% ($k = 2$)	+/- 21.6 %
Audio Low Pass Filter (Voice Input)	+/- 0.21dB ($k = 2$)	+/- 1.2 dB
Audio Frequency Response	+/- 0.12dB ($k = 2$)	+/- 1.2 dB
Modulation Limiting	+/- 0.99% ($k = 2$)	+/- 1.0 %
Frequency Stability (Temperature Variation)	+/- 9.92Hz ($k=2$)	+/-34.2 Hz
Frequency Stability (Voltage Variation)	+/- 9.92Hz ($k=2$)	+/-34.2 Hz

SECTION 10. TEST DATA

10.1 Carrier Output Power (Conducted)

REGULATIONS	: FCC Part 2 Section 1046 (a)
TEST METHOD/GUIDE	: ANSI/TIA-603-E Section 2.2.1.2 ANSI C63.26 Section 5.2

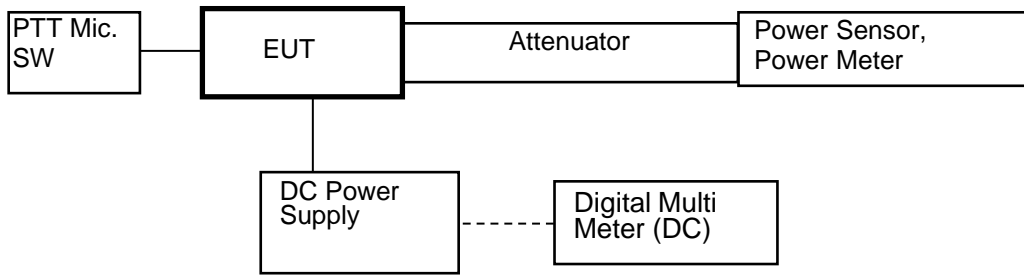
Test Procedure

- 1 The EUT and test equipment were set up as shown on the following page.
- 2 The EUT was conducted to a resistive coaxial attenuator of normal load impedance.
 $RF\ Power\ (dBm) = Power\ Meter\ reading\ (dBm) + Attenuator\ Loss\ (dB) + Cable\ Loss\ (dB)$
 $RF\ Power\ (W) = 10^{(RF\ Power\ (dBm)/10)}/1000$
- 3 Modulate the transmitter with a 2.5 kHz sine wave at an input Level of 16 dB greater than that necessary to produce 50 % of rated system deviation.(Only as for the test of RSS)

Measuring Equipments

No.	Equipment	Manufacture	Model No.	Serial No.	Cal. Interval	Effective period
1	Power Meter	Agilent	N1912A	MY45101828	1Y	Aug. 31, 20
2	Power Sensor	Agilent	N1921A	MY45242254	1Y	Aug. 31, 20
3	Attenuator (20dB)	Aeroflex/Wenshel	66-20-34	BY4357	1Y	Jun. 30, 20
4	Attenuator (30dB)	Weinschel	WA-29-30-34	8924	1Y	Sep. 30, 20
5	DC Power Supply	Daiichi denpa kogyo	GZV4000	90290931	None	None
6	Digital Multi Meter	FLUKE	8846A	9642018	1Y	Jun. 30, 20

Measuring Equipment Configuration



Test Results

Test date	Sep. 20, 2019	
Location	Kashima No.12 Test Site	
temperature	25.9	[degree C]
Humidity Variation	50.0	[%]
Atmospheric Pressure	101.3	[kPa]
Test Engineer	Koichi Wagatsuma	

Test was carried out for all the Authorized Bandwidth.
 State the worst case (below).

No.	Frequency (MHz)	Band	Setting	RF Power (W)
1	450.05	Low	High Power	100
2	481.05	Middle	High Power	100
3	511.95	High	High Power	100
4	470.05	Low	For 16K0F3E High Power	100
5	491.05	Middle	For 16K0F3E High Power	100
6	450.05	Low	Low Power	25
7	481.05	Middle	Low Power	25
8	511.95	High	Low Power	25
9	470.05	Low	For 16K0F3E Low Power	25
10	491.05	Middle	For 16K0F3E Low Power	25

RF Power: Maximum reading

10.2 Unwanted Emissions (Transmitter Conducted)

REGULATIONS	: FCC Part 2 Section 1051, Part 22 Section 359, Part 90 Section 210
TEST METHOD/GUIDE	: ANSI/TIA-603-E Section 2.2.13.2 ANSI C63.26 Section 5.7

Test Procedure

- 1 The EUT and test equipment were set up as shown on the following page.
- 2 Modulate the transmitter with a 2.5 kHz sine wave at an input Level of 16 dB greater than that than that necessary to produce 50 % of rated system deviation.
- 3 Adjust the spectrum analyzer for the following setting:
 - a) RBW : 100 kHz (< 1 GHz), 1 MHz (> 1 GHz).
 - b) VBW : 300 kHz (< 1 GHz), 3 MHz (> 1 GHz).
 - c) Detector mode : Average power (FM Modulation) , Positive peak with peak hold (Digital Modulation)
- 4 The emissions were measured for the worst case as follows:
 - a) : within a band of frequencies defined by the carrier frequency plus and minus one channel.
 - b) : from the lowest frequency generated in the EUT and to at least the 10th harmonic of the carrier frequency, or 40 GHz, whichever is lower.

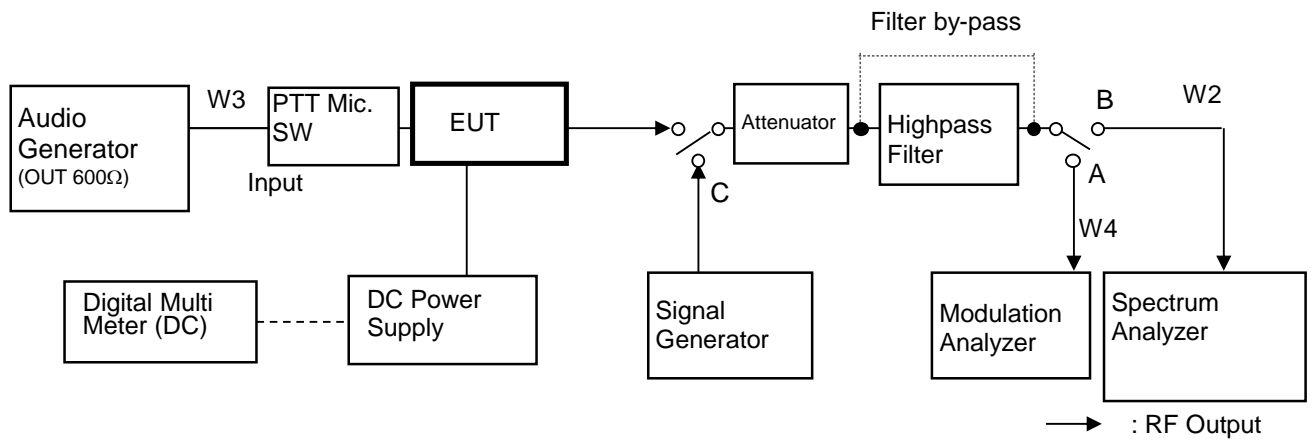
Measuring Equipments

No.	Equipment	Manufacture	Model No.	Serial No.	Cal. Interval	Effective period
1	Attenuator (20dB)	Aeroflex/Wenshel	66-20-34	BY4357	1Y	Jun. 30, 20
2	Attenuator (30dB)	Weinschel	WA-29-30-34	8923	1Y	Sep. 30, 20
3	Highpass Filter	Anritsu	MP526D	6200220657	1Y	Mar. 31, 20
4	Modulation Analyzer	Hewlett Packard	8901B	3403A04852	1Y	Jan. 31, 20
5	Signal Generator	Rohde&Schwarz	SMB 100A	105709	1Y	May. 31, 20
6	Audio Generator	Anritsu	MG443B	M70150	1Y	Jun. 30, 20
7	Spectrum Analyzer	Agilent	N9030A (Rev.A,08,54)	US51350170	1Y	Mar. 31, 20
8	DC Power Supply	Daiichi denpa kogyo	GZV4000	90290931	None	None
9	Digital Multi Meter	FLUKE	8846A	9642018	1Y	Jun. 30, 20

Measuring Cables

No.	Cable	Manufacture	Model No.	Serial No.	Cal. Interval	Effective period
W3	Balance Cable	Nicoon	3D-2V	KSR00092	1Y	Apr. 30, 20
W4	Coaxial Cable	Pacific custom	RG-58 C/U	AM90C04	1Y	Feb. 29, 20
W2	Coaxial Cable	Suhner	SUCOFLEX104	KSR00217	1Y	Aug. 31, 20

Measuring Equipment Configuration



Note: Configuration of other Modulation test is composed without the Audio Generator.

Test Results

Test date	Oct. 03, 2019
Location	Kashima No.12 Test Site
temperature	25 [degree C]
Humidity Variation	68 [%]
Atmospheric Pressure	101.3 [kPa]
Test Engineer	Koichi Wagatsuma

Test was carried out for all the frequency band of section 10.1
 State the worst case (below).

State : High Power / Authorized Bandwidth 11.25 kHz (8K10F1E/F1D/F1W)

No.	Tuned Frequency (MHz)	Band	Spurious Frequency (MHz)	Correct Level (dBm)	Emission Level (dBc)	Mask D Limit (dBc)	Margin (dB)
1	450.05	Low	2250.25	-28.15	-78.15	-70.0	8.2
2	481.05	Middle	2405.25	-26.22	-76.22	-70.0	6.2
3	511.95	High	2559.75	-26.11	-76.11	-70.0	6.1

There is the margin of 20dB over except for the above points.

Mask D Limit (dBc) = $-(50+10\log(P))$
 Correct Level (dBm) = Substitute SG Level (dBm)
 Emission Level (dBc) = Correct Level (dBm) - $10\log(P*1000)$
 P = Carrier Level (W)
 " - " = Measurement Limit

State : Low Power / Authorized Bandwidth 6 kHz (4K00F1E / F1D / F7W)

No.	Tuned Frequency (MHz)	Band	Spurious Frequency (MHz)	Correct Level (dBm)	Emission Level (dBc)	Mask E Limit (dBc)	Margin (dB)
1	450.05	Low	900.10	-43.06	-87.04	-65.0	22.0
2	481.05	Middle	1443.15	-39.04	-83.02	-65.0	18.0
3	511.95	High	1023.90	-33.20	-77.18	-65.0	12.2

There is the margin of 20dB over except for the above points.

Mask E Limit (dBc) = whichever is the lesser attenuation ; $-(55+10\log(P))$ or -65
 Correct Level (dBm) = Substitute SG Level (dBm)
 Emission Level (dBc) = Correct Level (dBm) - $10\log(P*1000)$
 P = Carrier Level (W)
 " - " = Measurement Limit

10.3 Field Strength of Spurious Radiation

REGULATIONS	:	FCC Part 2 Section 1053 (a), Part 22 Section 359 , Part 90 Section 210
TEST METHOD/GUIDE	:	ANSI/TIA-603-E Section 2.2.12.2 ANSI C63.26 Section 5.5

Test Procedure

- 1 The EUT and test equipment were set up as shown on the following page.
- 2 Adjust the spectrum analyzer for the following setting:
 - a) RBW : 100 kHz (< 1 GHz), 1 MHz (> 1 GHz).
 - b) VBW : 300 kHz (< 1 GHz), 3 MHz (> 1 GHz).
 - c) Detector mode : Positive Peak
- 3 The transmitter was placed on a wooden turntable, and it was transmitting into non-radiating load which was also placed on the turntable.
- 4 The measurement antenna was placed at a distance of 3 meters from the EUT. During the tests, the antenna height and polarization as well as EUT azimuth were varied in order to identify the maximum level of emissions from the EUT. The test was performed by placing the EUT on 3-orthogonal axis.
- 5 The frequency range up to tenth harmonic of the fundamental frequency was investigated.
- 6 Remove the EUT and replace it with substitution antenna. A signal generator was connected to the substitution antenna by a non-radiating cable. The absolute levels of the spurious emissions were measured by the substitution.
- 7 Spurious emissions in dB = 10 Log (TX power in Watts/0.001) – the absolute level

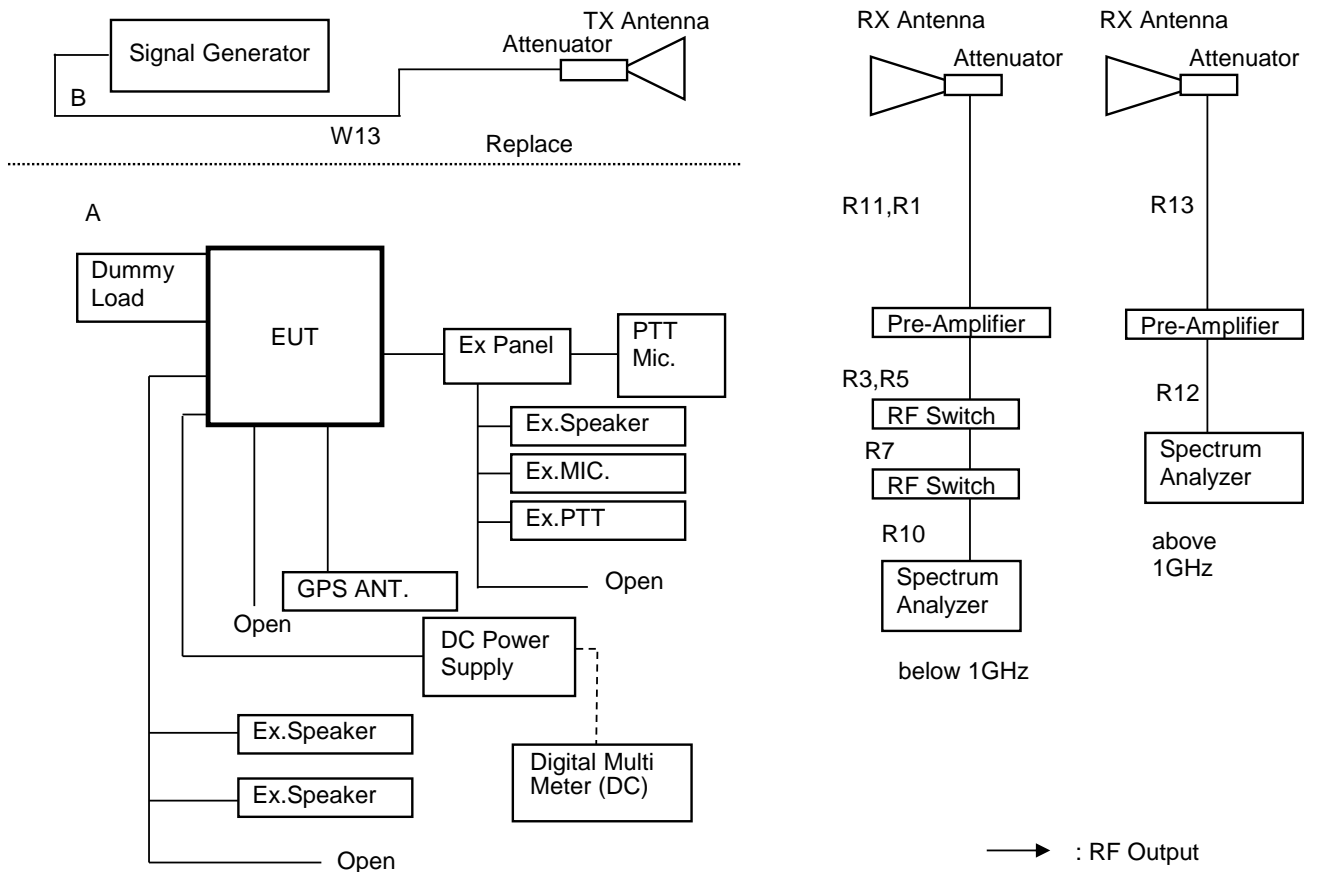
Measuring Equipments

No.	Equipment	Manufacture	Model No.	Serial No.	Cal. Interval	Effective period
1	Attenuator(10dB)	HUBER+SUHNER	6810.17B	5061	1Y	Feb. 29, 20
2	Dummy Load	TME	CT-150NP	1138693	1Y	Feb. 29, 20
3	Spectrum Analyzer	Agilent	N9030A(Rev.A,08,54)	US51350220	1Y	Aug. 31, 20
4	Spectrum Analyzer	Agilent	N9038A (A.13.58)	MY51210201	1Y	Nov. 30, 19
5	D.R.G Antenna(RX)	Schwarzbeck	3115	5044	1Y	Jun. 30, 20
6	D.R.G Antenna(TX)	Schwarzbeck	3115	5045	1Y	Apr. 30, 20
7	Dipole Antenna(TX)	Schwarzbeck	UHA9105	AM0082002	1Y	Jul. 31, 20
8	Dipole Antenna(TX)	Schwarzbeck	VHA9103	C01082007	1Y	Jul. 31, 20
9	Tri-log Antenna(RX)	Schwarzbeck	VULB9168WP	126	1Y	Mar. 31, 20
10	DC Power Supply	Daiichi denpa kogyo	GZV4000	90290931	None	None
11	Digital Multi Meter	FLUKE	8846A	9642018	1Y	Jun. 30, 20
12	Amplifier	TOYO	TPA0118-30	0402	1Y	Jul. 31, 20
13	Attenuator	HUBER + SUHNER	6803.17.B	5111	1Y	Jul. 31, 20
14	Amplifier	Intertek Japan	ZX60-3018G	002	1Y	Aug. 31, 20
15	Attenuator	TAMAGAWA	CFA-01	A00040805	1Y	Aug. 31, 20
16	RF Switch	Intertek Japan	ACX-150-1	A12301501	1Y	Aug. 31, 20

Measuring Cables

No.	Cable	Manufacturer	Model No.	Serial No.	Cal. Interval	Effective period
R11	Coaxial Cable	FUJIKURA	5D-2W	R11	1Y	Aug. 31, 20
R1	Coaxial Cable	FUJIKURA	5D-2W	R1	1Y	Aug. 31, 20
R3	Coaxial Cable	FUJIKURA	10D-2W	R3	1Y	Aug. 31, 20
R5	Coaxial Cable	FUJIKURA	RG-5A/U	R5	1Y	Aug. 31, 20
R7	Coaxial Cable	MIYAZAKI	5D-2W	R7	1Y	Aug. 31, 20
R10	Coaxial Cable	FUJIKURA	5D-2W	R10	1Y	Aug. 31, 20
R13	Coaxial Cable	SUHNER	SUCOFLEX 104	229603	1Y	Jul. 31, 20
R12	Coaxial Cable	Candox	5B-048-98-98-5000	111130	1Y	Jul. 31, 20
W13	Coaxial Cable	Suhner	SUCOFLEX106	KSR00207	1Y	Feb. 29, 20

Measuring Equipment Configuration



Test Results

Test date	Sep 21, 2019	to	Sep 23, 2019
Location	Kashima No.12 Test Site		
temperature	19 to 22	[degree C]	
Humidity Variation	42 to 58	[%]	
Atmospheric Pressure	100.0 to 101.9	[kPa]	
Test Engineer	Koichi Wagatsuma		

Test was carried out for all the frequency band of section 10.1
 State the worst case (below).

State : High Power / Authorized Bandwidth 11.25 kHz / 481.05MHz

No	Frequency (MHz)	Pol	Reading Level (dBm)	SG Out Level (dBm)	Antenna Gain (dBd)	Loss (dB)	Correct Level (dBm)	Emission Level (dBc)	MASK D Limit Level (dBc)	Margin (dB)
1	962.10	Hor.	-45.55	-11.36	-0.72	12.58	-24.7	-74.7	-70.0	4.7
		Ver.	-46.68	-10.60	-0.72	12.58	-23.9	-73.9	-70.0	3.9
2	1443.15	Hor.	-56.58	-40.42	5.91	13.17	-47.7	-97.7	-70.0	27.7
		Ver.	-57.95	-42.40	5.91	13.17	-49.7	-99.7	-70.0	29.7
3	1924.20	Hor.	-	-	6.39	13.73	-	-	-70.0	-
		Ver.	-	-	6.39	13.73	-	-	-70.0	-
4	2405.25	Hor.	-62.88	-43.77	7.45	14.16	-50.5	-100.5	-70.0	30.5
		Ver.	-63.39	-44.51	7.45	14.16	-51.2	-101.2	-70.0	31.2
5	2886.30	Hor.	-	-	7.57	14.56	-	-	-70.0	-
		Ver.	-	-	7.57	14.56	-	-	-70.0	-
6	3367.35	Hor.	-	-	7.79	14.93	-	-	-70.0	-
		Ver.	-	-	7.79	14.93	-	-	-70.0	-
7	3848.40	Hor.	-	-	7.74	15.29	-	-	-70.0	-
		Ver.	-	-	7.74	15.29	-	-	-70.0	-
8	4329.45	Hor.	-	-	8.49	15.56	-	-	-70.0	-
		Ver.	-	-	8.49	15.56	-	-	-70.0	-
9	4810.50	Hor.	-	-	8.78	15.79	-	-	-70.0	-
		Ver.	-	-	8.78	15.79	-	-	-70.0	-

There is the margin of 20dB over except for the above points.

Mask D Limit (dBc) = whichever is the lesser attenuation ; $-(50+10\log(P))$ or -70
 Correct Level (dBm) = Substitute SG Level (dBm) + ANT Gain (dBd) - Loss (Cable, Attenuator) (dB)
 Emission Level (dBc) = Correct Level (dBm) - $10\log(P*1000)$
 P = Carrier Level (W)
 " - " = Measurement Limit

State : Low Power / Authorized Bandwidth 6 kHz / 481.05MHz

No	Frequency (MHz)	Pol	Reading Level (dBm)	SG Out Level (dBm)	Antenna Gain (dBd)	Loss (dB)	Correct Level (dBm)	Emission Level (dBc)	MASK E Limit Level (dBc)	Margin (dB)
1	962.10	Hor.	-59.61	-25.42	-0.72	12.58	-38.7	-82.7	-65.0	17.7
		Ver.	-61.43	-25.35	-0.72	12.58	-38.7	-82.6	-65.0	17.6
2	1443.15	Hor.	-62.48	-46.32	5.91	13.17	-53.6	-97.6	-65.0	32.6
		Ver.	-62.64	-47.08	5.91	13.17	-54.3	-98.3	-65.0	33.3
3	1924.20	Hor.	-	-	6.39	13.73	-	-	-65.0	-
		Ver.	-	-	6.39	13.73	-	-	-65.0	-
4	2405.25	Hor.	-	-	7.45	14.16	-	-	-65.0	-
		Ver.	-	-	7.45	14.16	-	-	-65.0	-
5	2886.30	Hor.	-	-	7.57	14.56	-	-	-65.0	-
		Ver.	-	-	7.57	14.56	-	-	-65.0	-
6	3367.35	Hor.	-	-	7.79	14.93	-	-	-65.0	-
		Ver.	-	-	7.79	14.93	-	-	-65.0	-
7	3848.40	Hor.	-	-	7.74	15.29	-	-	-65.0	-
		Ver.	-	-	7.74	15.29	-	-	-65.0	-
8	4329.45	Hor.	-	-	8.49	15.56	-	-	-65.0	-
		Ver.	-	-	8.49	15.56	-	-	-65.0	-
9	4810.50	Hor.	-	-	8.78	15.79	-	-	-65.0	-
		Ver.	-	-	8.78	15.79	-	-	-65.0	-

There is the margin of 20dB over except for the above points.

Mask E Limit (dBc) = whichever is the lesser attenuation ; $-(55+10\log(P))$ or -65
 Correct Level (dBm) = Substitute SG Level (dBm) + ANT Gain (dBd) - Loss (Cable, Attenuator) (dB)
 Emission Level (dBc) = Correct Level (dBm) - $10\log(P*1000)$
 P = Carrier Level (W)
 " - " = Measurement Limit

10.4 Emission Masks (Occupied Bandwidth)

REGULATIONS	: FCC Part 2 Section 1049 (c) (1), Part 90 Section 210 FCC Part 22 Section 359, Part 74 Section 462
TEST METHOD/GUIDE	: ANSI/TIA-603-E Section 2.2.11.2

Test Procedure

- 1 The EUT and test equipment were set up as shown on the following page.
- 2 For EUT supporting audio modulation, the audio signal generator was adjusted to the frequency of maximum response and with output level set for +/- 2.5 kHz deviation (or 50 % modulation). (FM modulation).
- 3 With level constant, the signal level was increased 16 dB.
- 4 For EUT supporting digital modulation, the digital modulation mode was operated to its maximum extent.
- 5 Adjust the spectrum analyzer for the following setting:
 - a) RBW : 100Hz (Non modulation and Authorized Band 6 kHz),
100Hz (Non modulation and Authorized Band 11.25 kHz),
300Hz (Non modulation and Authorized Band 20 kHz).
 - b) VBW : 10times the RBW (Non modulation , Authorized Band 6kHz, 11.25 kHz and 20 kHz).
 - c) RBW and VBW : 30 kHz (Non modulation(Digital Modulation)).
- 6 The occupied Bandwidth was measured with the Spectrum Analyzer controls set as shown on the test results.

The selection of Emission Mask

No.	Frequency (MHz)	Audio Filter	Channel Bandwidth (kHz)	Authorized Bandwidth (kHz)	Selection of Emission Mask	
					FCC	IC
Emission Designation :		16K0F3E				
1	470.05	With	25	20	B	-
2	491.05	With	25	20	B	-
3	511.95	With	25	20	B	-
Emission Designation :		11K0F3E				
1	450.05	With	12.5	11.25	D	-
2	481.05	With	12.5	11.25	D	-
3	511.95	With	12.5	11.25	D	-
Emission Designation :		8K30F1E/F1D/F7W				
1	450.05	Without	12.5	11.25	D	-
2	481.05	Without	12.5	11.25	D	-
3	511.95	Without	12.5	11.25	D	-
Emission Designation :		8K10F1E / F1D / F1W				
1	450.05	Without	12.5	11.25	D	-
2	481.05	Without	12.5	11.25	D	-
3	511.95	Without	12.5	11.25	D	-
Emission Designation :		4K00F1E / F1D / F7W				
1	450.05	Without	6.25	6	E	-
2	481.05	Without	6.25	6	E	-
3	511.95	Without	6.25	6	E	-
Emission Designation :		4K00F2D				
1	450.05	Without	6.25	6	E	-
2	481.05	Without	6.25	6	E	-
3	511.95	Without	6.25	6	E	-

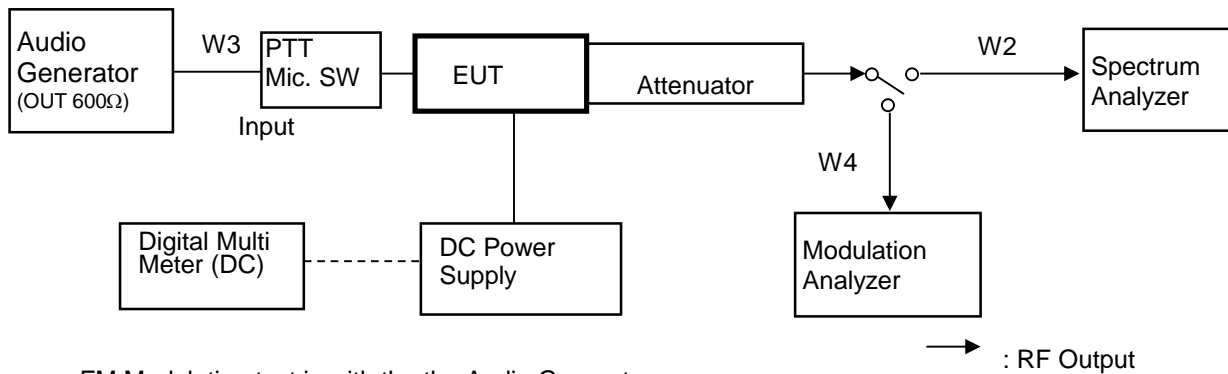
Measuring Equipments

No.	Equipment	Manufacture	Model No.	Serial No.	Cal. Interval	Effective period
1	Attenuator (20dB)	Aeroflex/Wenshel	66-20-34	BY4357	1Y	Jun. 30, 20
2	Attenuator (30dB)	Weinschel	WA-29-30-34	8923	1Y	Sep. 30, 20
3	Modulation Analyzer	Hewlett Packard	8901B	3403A04852	1Y	Jan. 31, 20
4	Audio Generator	Anritsu	MG443B	M70150	1Y	Jun. 30, 20
5	Spectrum Analyzer	Agilent	N9030A (Rev.A,08,54)	US51350220	1Y	Aug. 31, 20
6	DC Power Supply	Daiichi denpa kogyo	GZV4000	90290931	None	None
7	Digital Multi Meter	FLUKE	8846A	9642018	1Y	Jun. 30, 20

Measuring Cables

No.	Cable	Manufacture	Model No.	Serial No.	Cal. Interval	Effective period
W3	Balance Cable	Nicoon	3D-2V	KSR00092	1Y	Apr. 30, 20
W4	Coaxial Cable	Pacific custom	RG-58 C/U	AM90C04	1Y	Feb. 29, 20
W2	Coaxial Cable	Suhner	SUCOFLEX104	KSR00217	1Y	Aug. 31, 20

Measuring Equipment Configuration



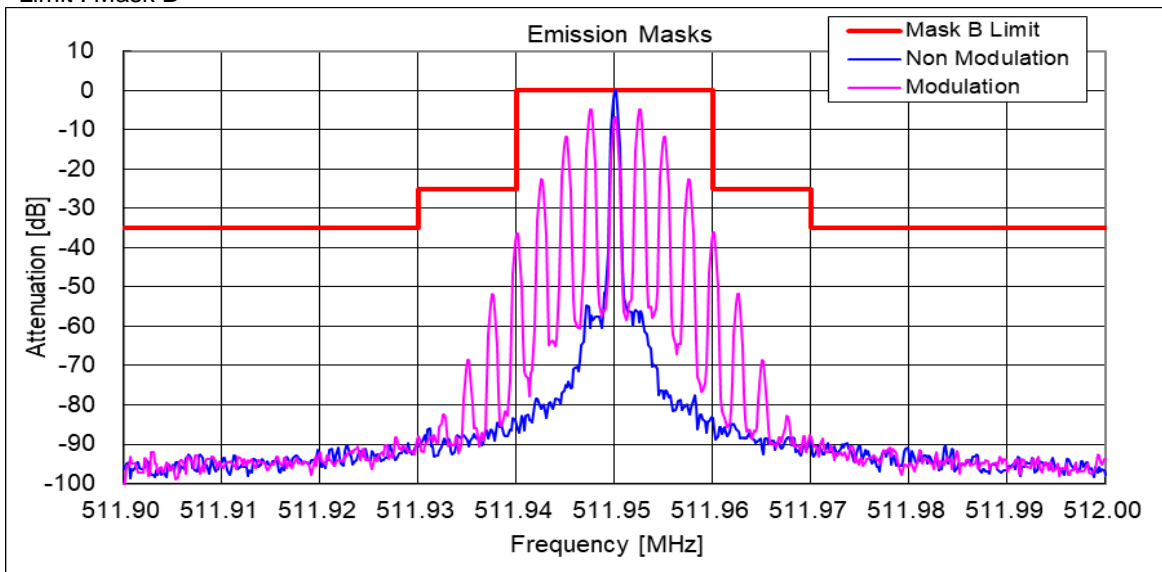
FM Modulation test is with the the Audio Generator.
 Configuration of other Modulation test is composed without the Audio Generator.

Test Results

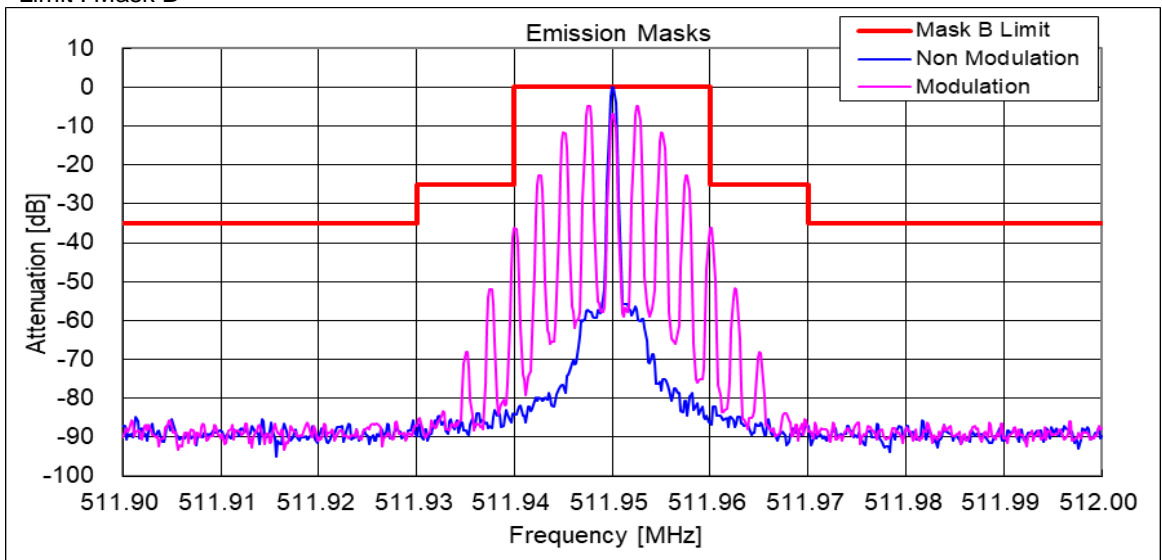
Test date	Oct. 02, 2019	
Location	Kashima No.12 Test Site	
temperature	24	[degree C]
Humidity Variation	60	[%]
Atmospheric Pressure	101.6	[kPa]
Test Engineer	Koichi Wagatsuma	

Test was carried out for all the frequency band of section 10.1
 State the worst case (below).

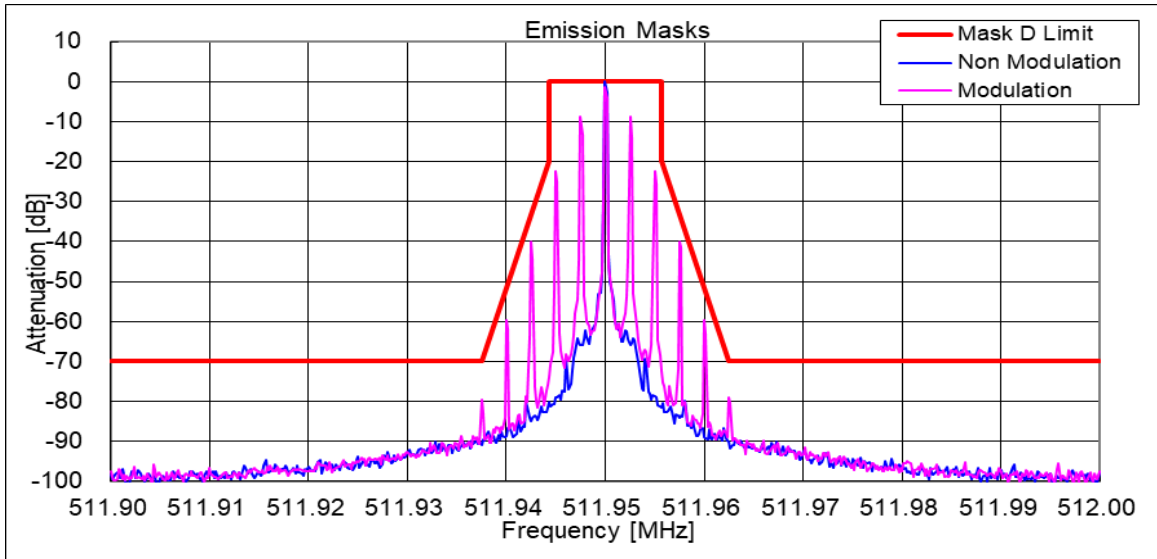
State : High Power / Authorized Bandwidth 20 kHz/ 16K0F3E / 511.95 MHz
 Limit : Mask B



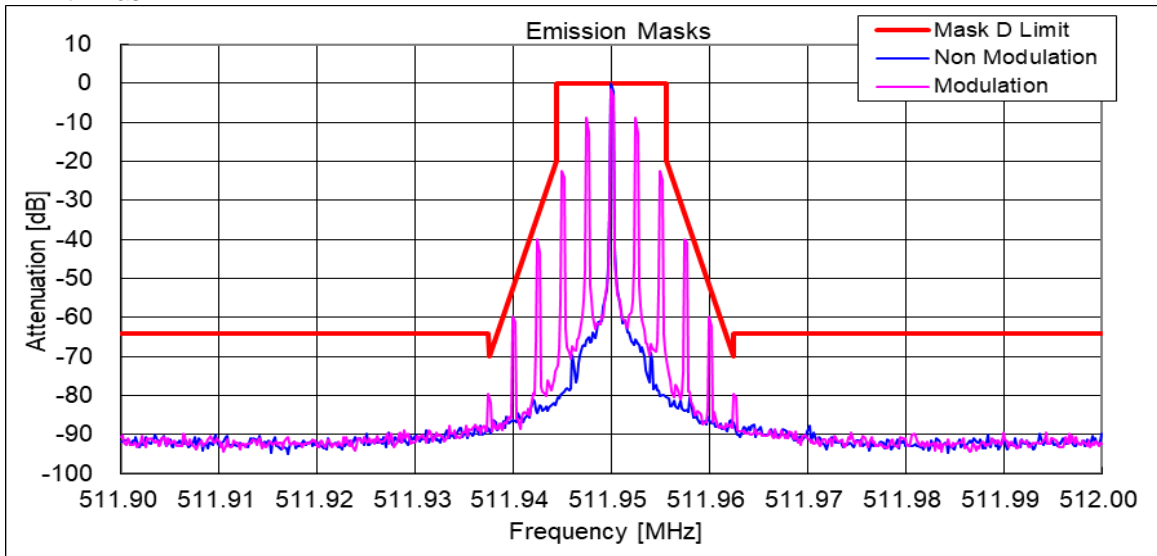
State : Low Power / Authorized Bandwidth 20 kHz/ 16K0F3E / 511.95 MHz
 Limit : Mask B



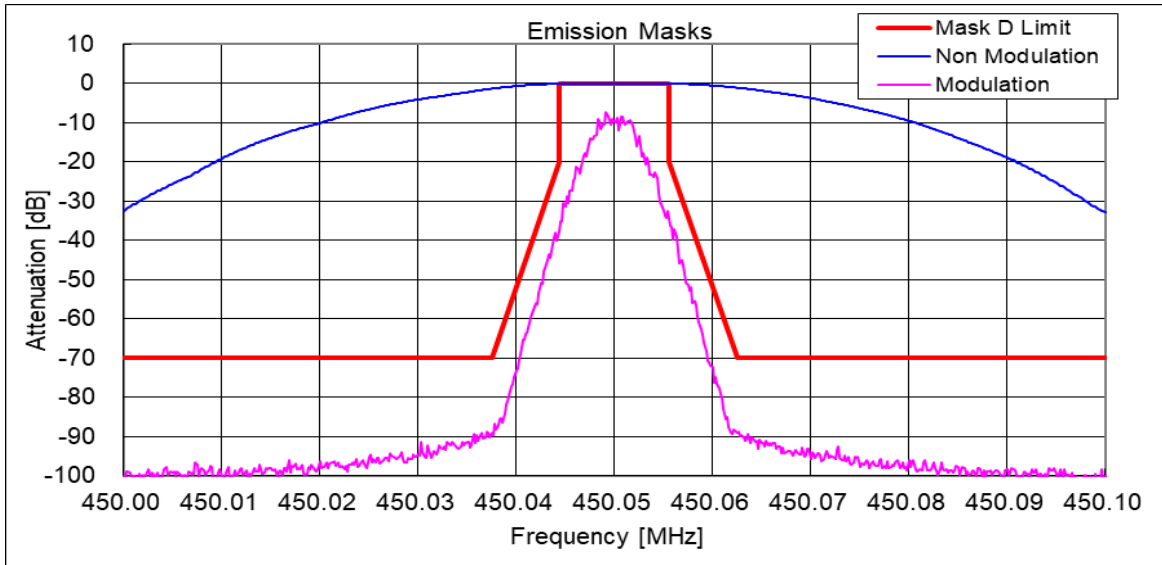
State : High Power / Authorized Bandwidth 11.25 kHz/ 11K0F3E / 511.95 MHz
Limit : Mask D



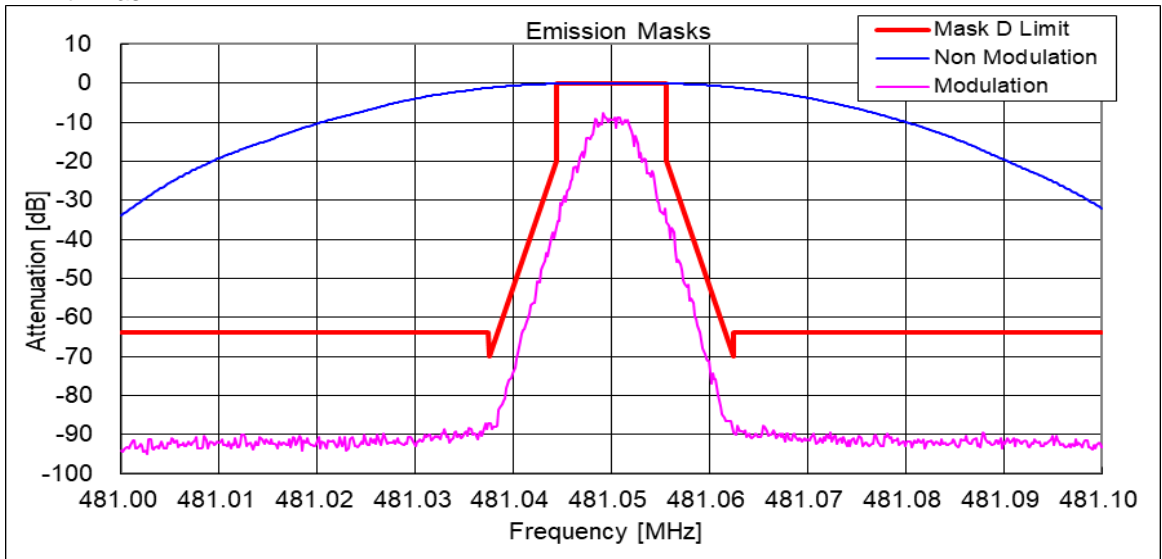
State : Low Power / Authorized Bandwidth 11.25 kHz/ 11K0F3E / 511.95 MHz
Limit : Mask D



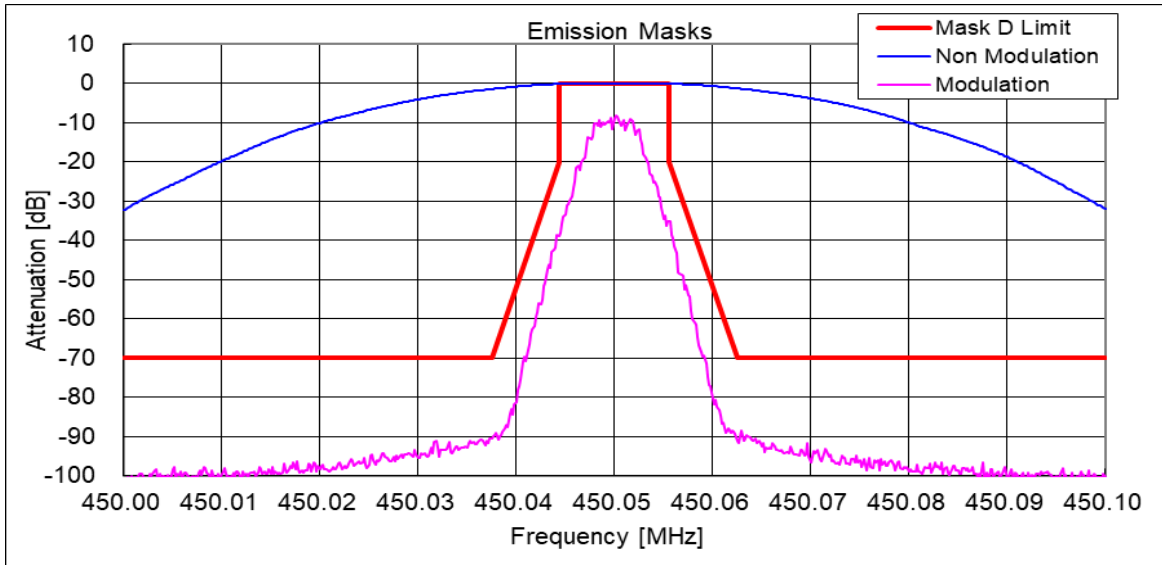
State : High Power / Authorized Bandwidth 11.25 kHz/ 8K10F1E / F1D / F1W / 450.05 MHz
Limit : Mask D



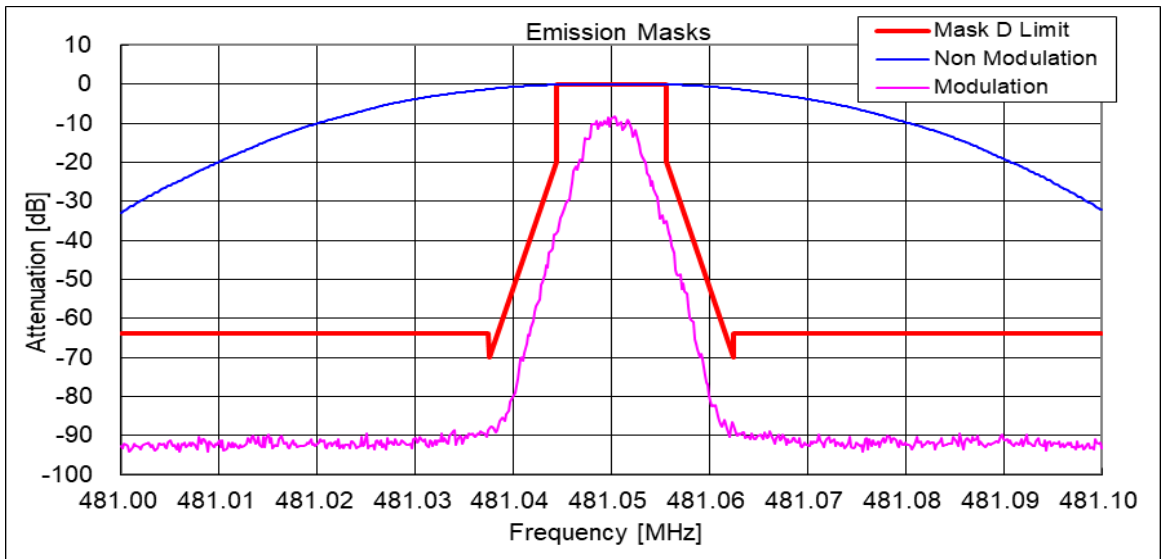
State : Low Power / Authorized Bandwidth 11.25 kHz/ 8K10F1E / F1D / F1W / 481.05 MHz
Limit : Mask D



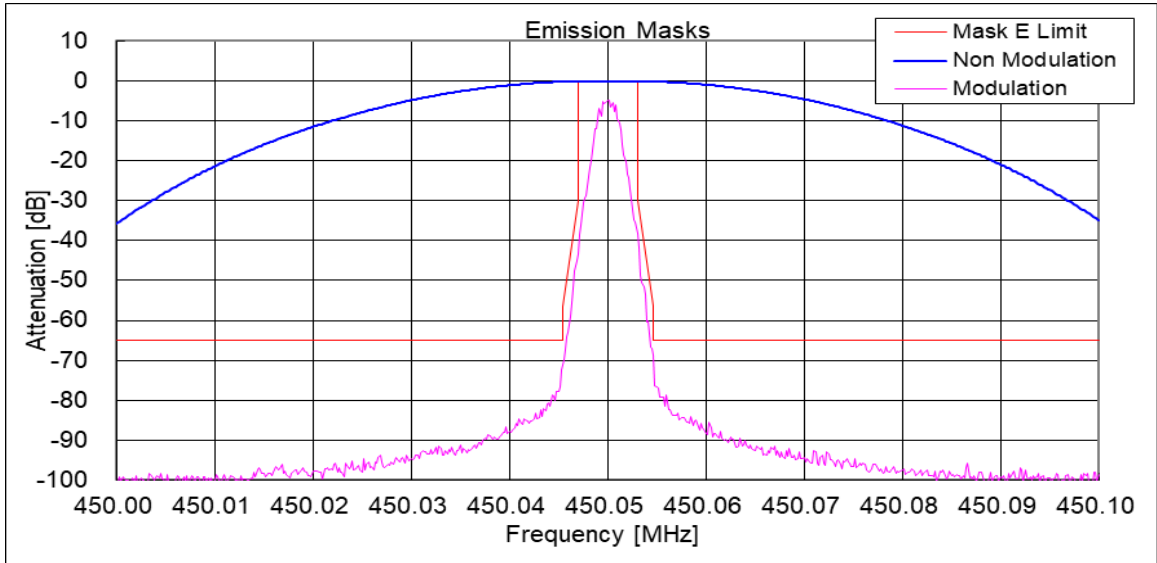
State : High Power / Authorized Bandwidth 11.25 kHz/ 8K30F1E/F1D/F7W / 450.05 MHz
Limit : Mask D



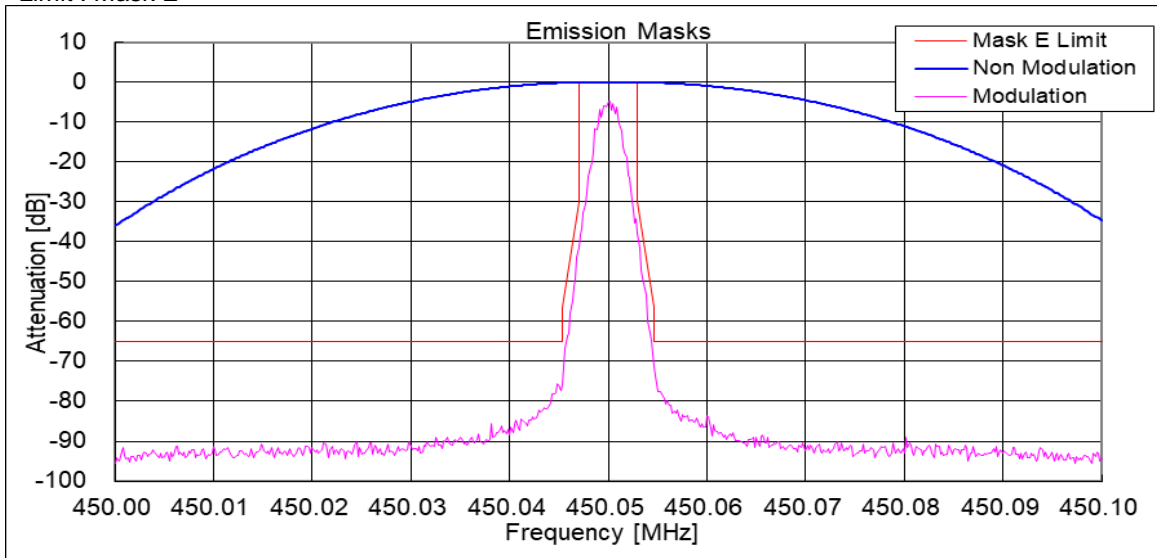
State : Low Power / Authorized Bandwidth 11.25 kHz/ 8K30F1E/F1D/F7W / 481.05 MHz
Limit : Mask D



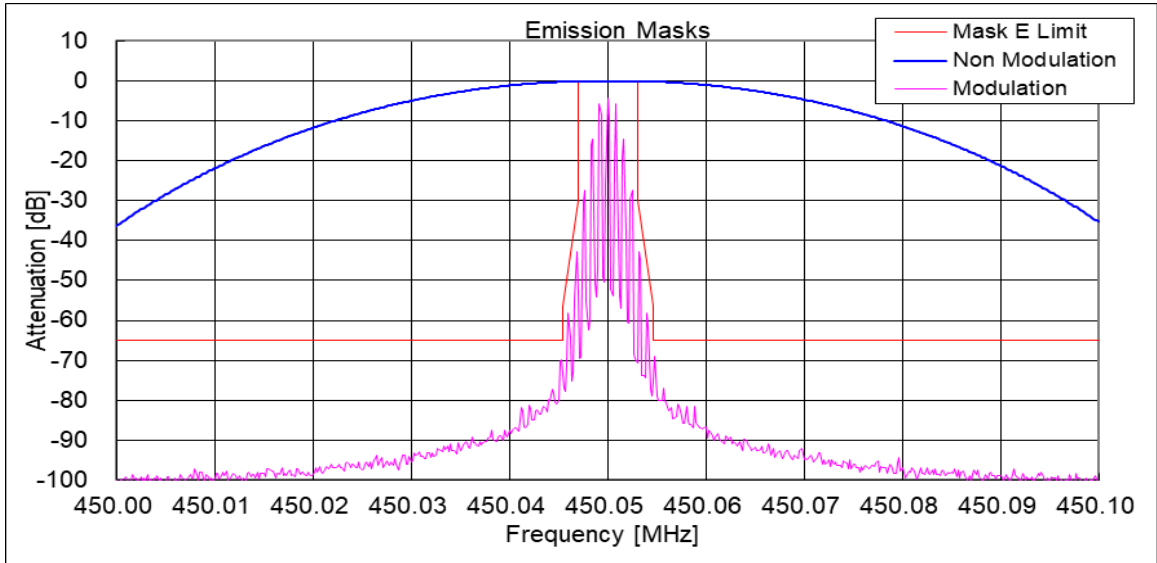
State : High Power / Authorized Bandwidth 6 kHz/ 4K00F1E / F1D / F7W / 450.05 MHz
Limit : Mask E



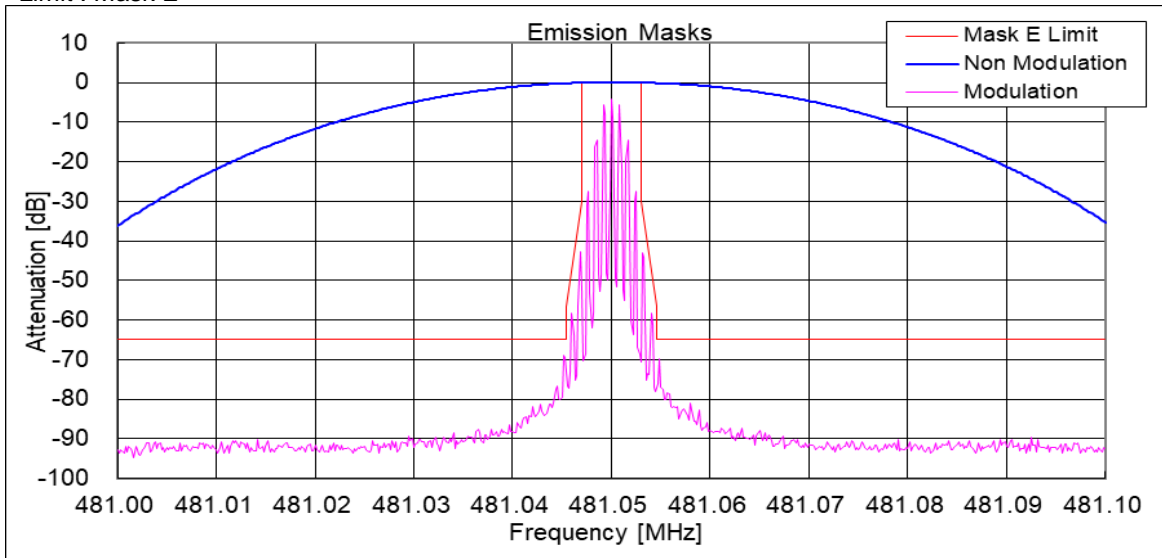
State : Low Power / Authorized Bandwidth 6 kHz/ 4K00F1E / F1D / F7W / 450.05 MHz
Limit : Mask E



State : High Power / Authorized Bandwidth 6 kHz/ 4K00F2D / 450.05 MHz
Limit : Mask E



State : Low Power / Authorized Bandwidth 6 kHz/ 4K00F2D / 481.05 MHz
Limit : Mask E



10.5 Transient Frequency Behavior

REGULATIONS	: FCC Part 90 Section 214
TEST METHOD/GUIDE	: ANSI/TIA-603-E, Section 2.2.19.3

Test Procedure

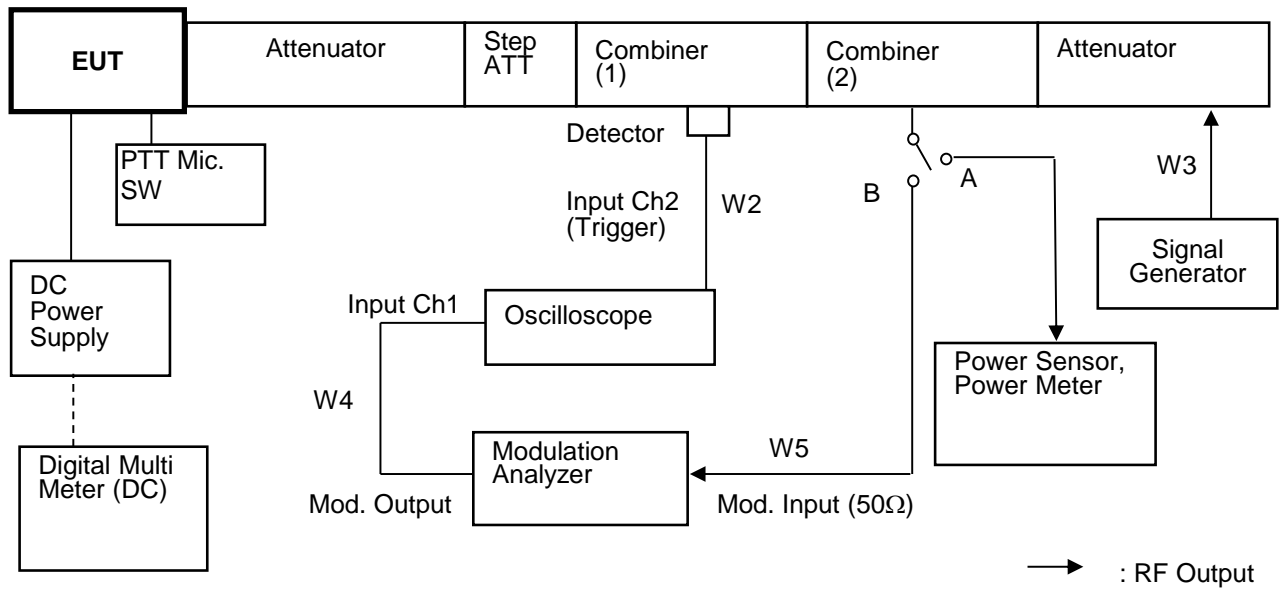
- 1 The EUT and test equipment were set up as shown on the following page.
- 2 The transmitter was turned on.
- 3 The transmitter carrier level was measured at the output of the combiner .
- 4 The transmitter was turned off.
- 5 An RF signal generator (1) modulated with a 1 kHz tone at either 25 kHz or 12.5 kHz or 6.25 kHz deviation, and set to the same frequency as the assigned transmitter frequency, (2) was adjusted to a level -30 dB below the level recorded in Procedure 3, as measured at the output of the combiner.
 This level was then fixed for the remainder of the test and is recorded at step h.
- 6 The oscilloscope was setup using TIA-603 steps j and k as a guide, however 1000 Hz tone was adjusted at +- 2.5 /div vertically centered on the display.
- 7 The transmitter was turned on, and the level of the carrier at the output of the combiner was recorded as step l.
- 8 The carrier on-time as referenced in TIA-603 steps m, n, and o was captured and plotted.
- 9 The carrier off-time as referenced in TIA-603 steps p, q, r, and s was captured and plotted.

No.	Equipment	Manufacture	Model No.	Serial No.	Cal. Interval	Effective period
1	Power Meter	Hewlett Packard	E4418B	GB38410265	1Y	Jul. 31, 20
2	Power Sensor	Hewlett Packard	8482A	US37292237	1Y	Jul. 31, 20
3	Attenuator (20dB)	Aeroflex/Wenshel	66-20-34	BY4357	1Y	Jun. 30, 20
4	Attenuator (10dB)	TME	CFA-05NPJ-10	262843	1Y	Jun. 30, 20
5	Attenuator (30dB)	Weinschel	WA-29-30-34	8924	1Y	Sep. 30, 20
6	Attenuator (3dB)	TME	CFA-051NPJ-3	608923	1Y	Aug. 31, 20
7	Step Attenuator	Hewlett Packard	8494B	272614515	1Y	Feb. 29, 20
8	Combiner(1)	Anritsu	Z-164A	M89249	1Y	Feb. 29, 20
9	Combiner(2)	Anritsu	Z-164A	M89549	1Y	Feb. 29, 20
10	Modulation Analyzer	Hewlett Packard	8901B	3403A04852	1Y	Jan. 31, 20
11	Signal Generator	Rohde&Schwarz	SMB 100A	105709	1Y	May. 31, 20
12	Oscilloscope	Tektronix	TDS 680B (FV:v4.2e)	B010292	1Y	May. 31, 20
13	DC Power Supply	Daiichi denpa kogyo	GZV4000	90290931	None	None
14	Digital Multi Meter	FLUKE	8846A	9642018	1Y	Jun. 30, 20

Measuring Cables

No.	Cable	Manufacture	Model No.	Serial No.	Cal. Interval	Effective period
W2	Coaxial Cable	Pacific custom	RG-58 C/U	KSR00097	1Y	Feb. 29, 20
W4	Coaxial Cable	Daiyu Densen	3D-2V	KSR00100	1Y	Feb. 29, 20
W5	Coaxial Cable	Pacific custom	RG-58 C/U	AM90C04	1Y	Feb. 29, 20
W3	Coaxial Cable	Pacific custom	RG-58 C/U	KSR00041	1Y	Feb. 29, 20

Measuring Equipment Configuration

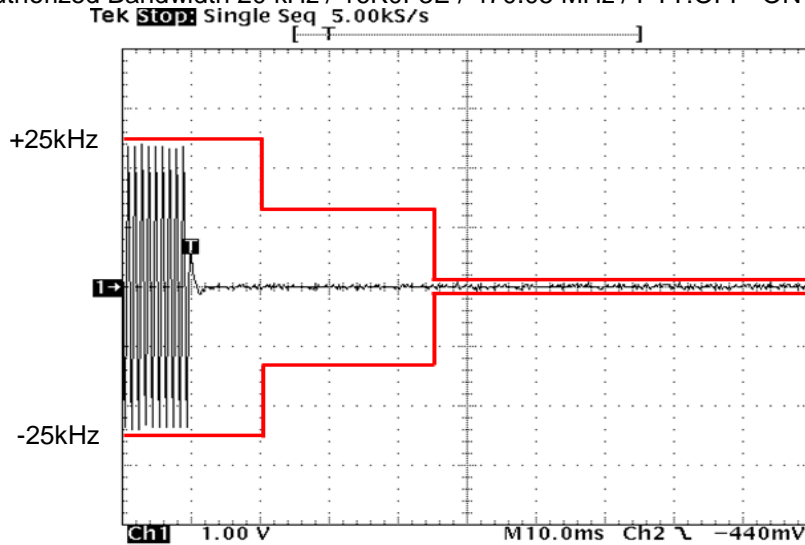


Test Results

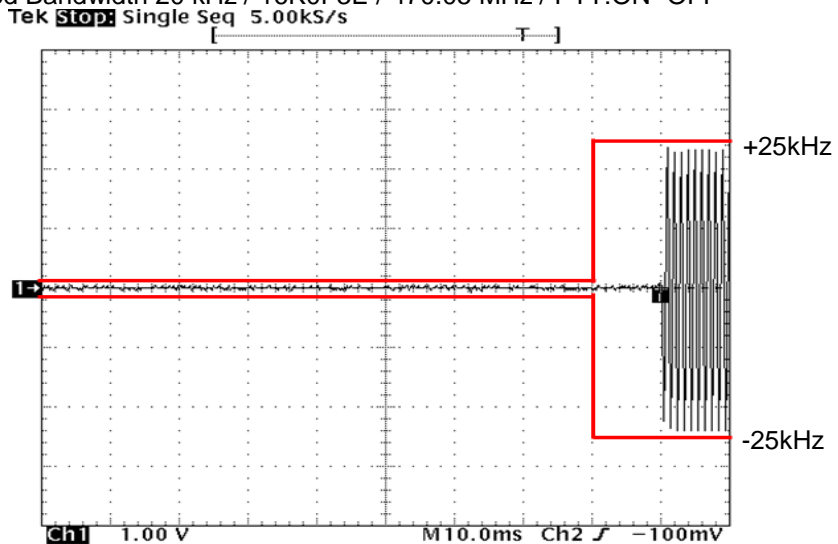
Test date	Oct 04, 2019	
Location	Kashima No.12 Test Site	
temperature	25	[degree C]
Humidity Variation	62	[%]
Atmospheric Pressure	100	[kPa]
Test Engineer	Koichi Wagatsuma	

Test was carried out for all the frequency band of section 10.1
 State the worst case (below).

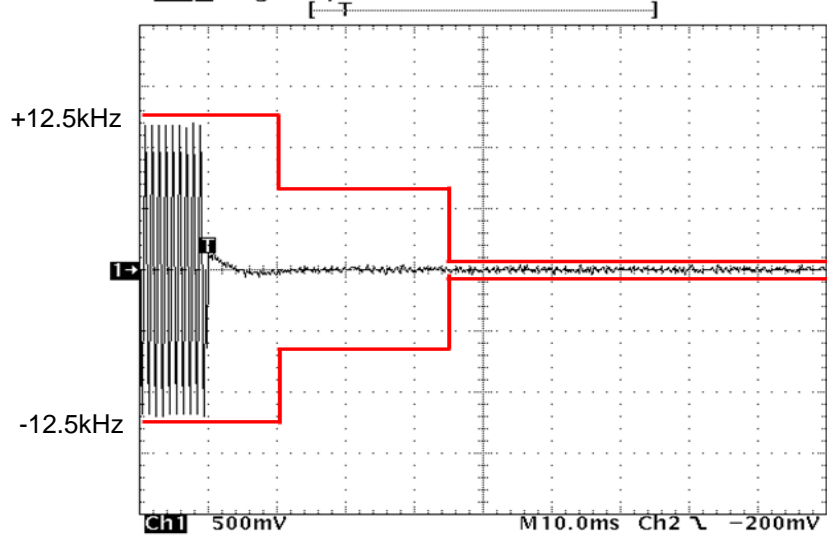
State : High Power / Authorized Bandwidth 20 kHz / 16K0F3E / 470.05 MHz / PTT:OFF -ON



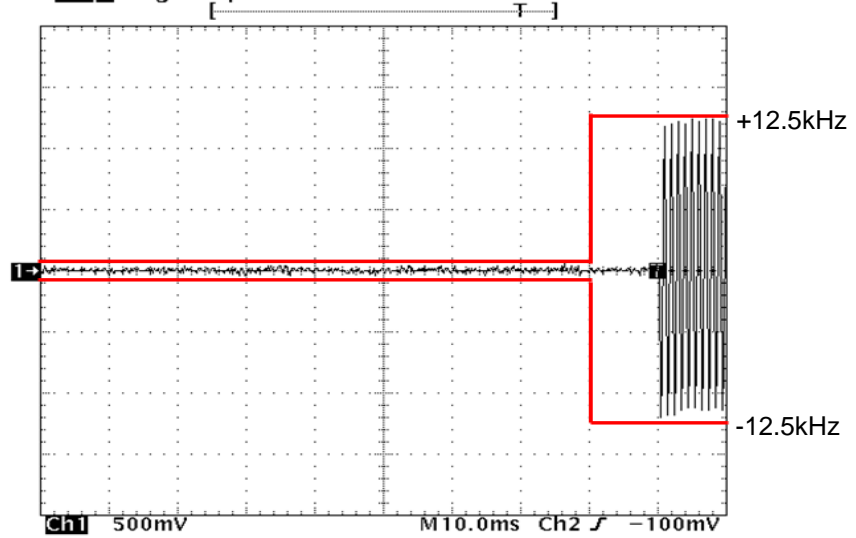
State : High Power / Authorized Bandwidth 20 kHz / 16K0F3E / 470.05 MHz / PTT:ON -OFF



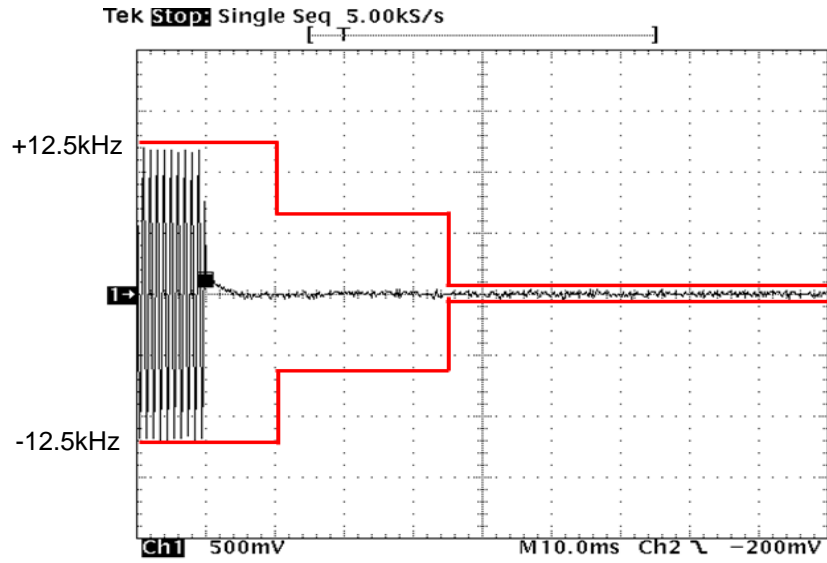
State : High Power / Authorized Bandwidth 11.25 kHz / 11K0F3E / 511.95 MHz / PTT:OFF -ON
Tek **Stop**: Single Seq 5.00kS/s



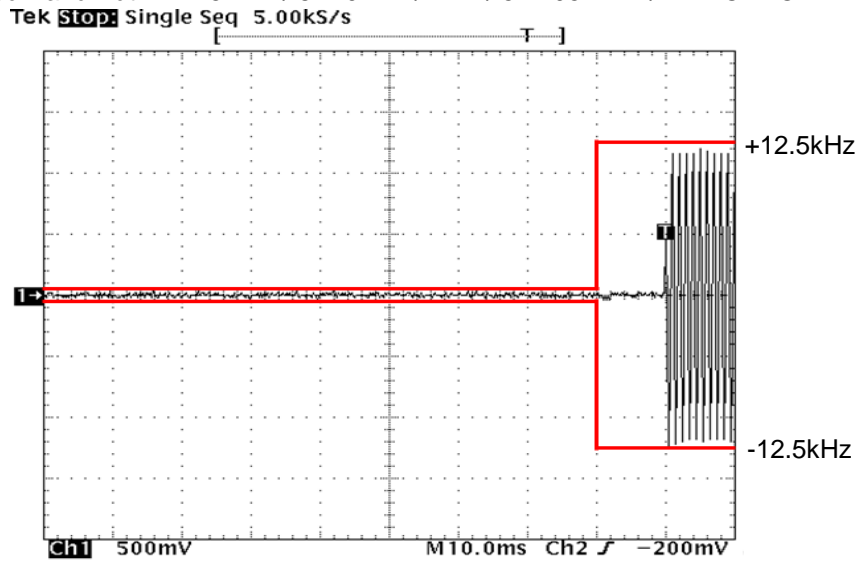
State : High Power / Authorized Bandwidth 11.25 kHz / 11K0F3E / 511.95 MHz / PTT:ON-OFF
Tek **Stop**: Single Seq 5.00kS/s



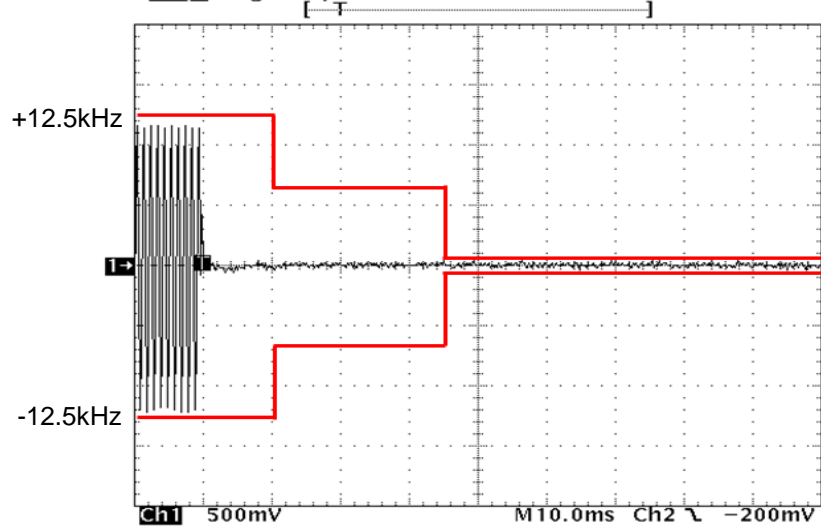
State : High Power / Authorized Bandwidth 11.25 kHz / 8K10F1E / F1D / 511.95 MHz / PTT:OFF -ON



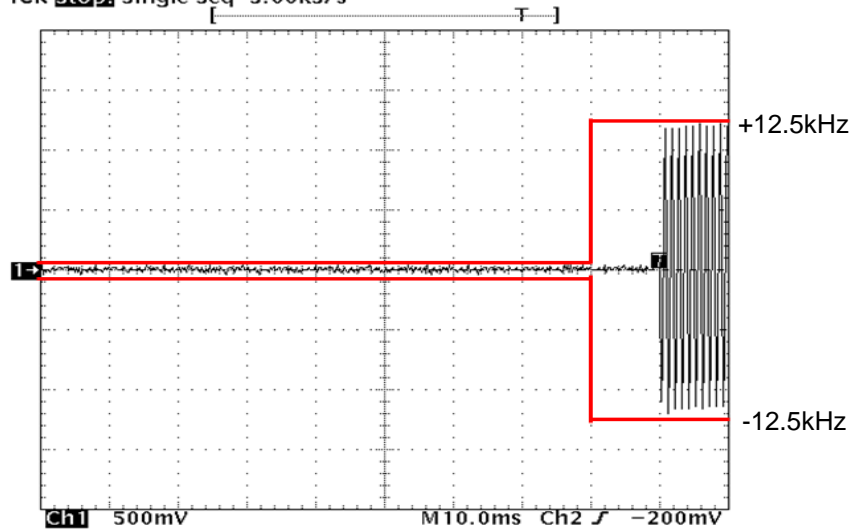
State : High Power / Authorized Bandwidth 11.25 kHz / 8K10F1E / F1D / 511.95 MHz / PTT:ON -OFF



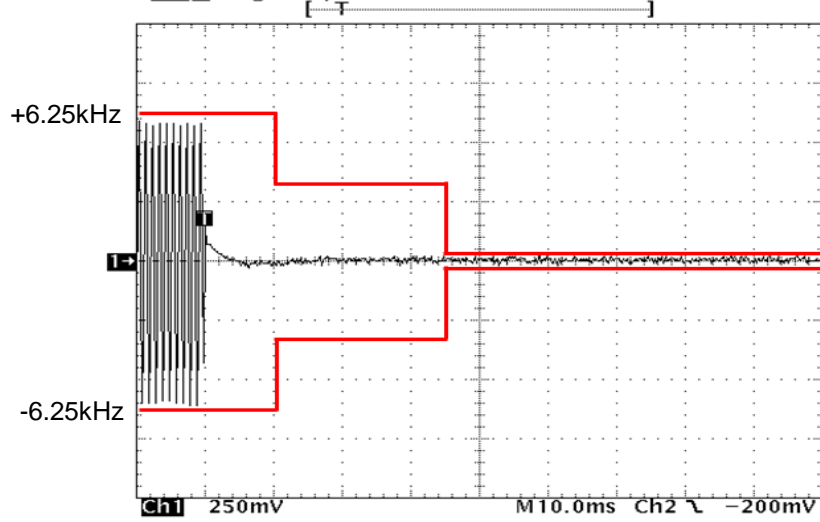
State : High Power / Authorized Bandwidth 11.25 kHz / 8K30F1E/F1D/F7W / 481.05 MHz / PTT:OFF -ON
Tek **Stop** Single Seq 5.00kS/s



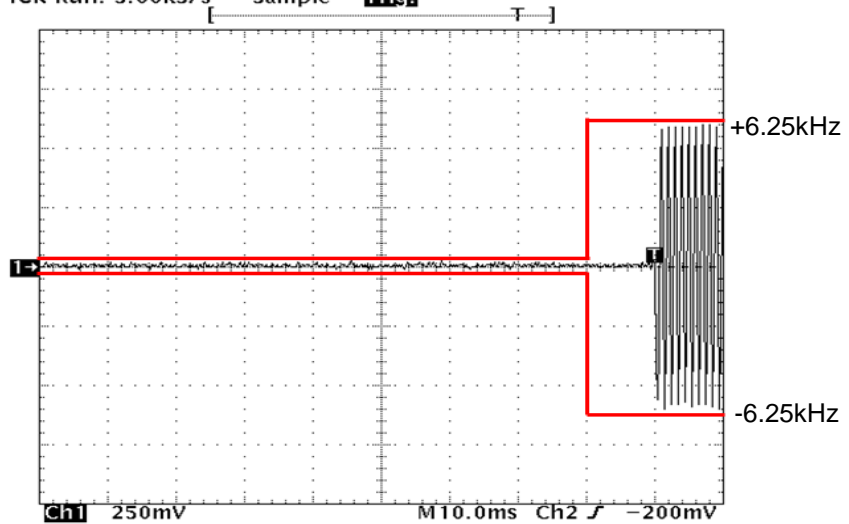
State : High Power / Authorized Bandwidth 11.25 kHz / 8K30F1E/F1D/F7W / 481.05 MHz / PTT:ON-OFF
Tek **Stop** Single Seq 5.00kS/s



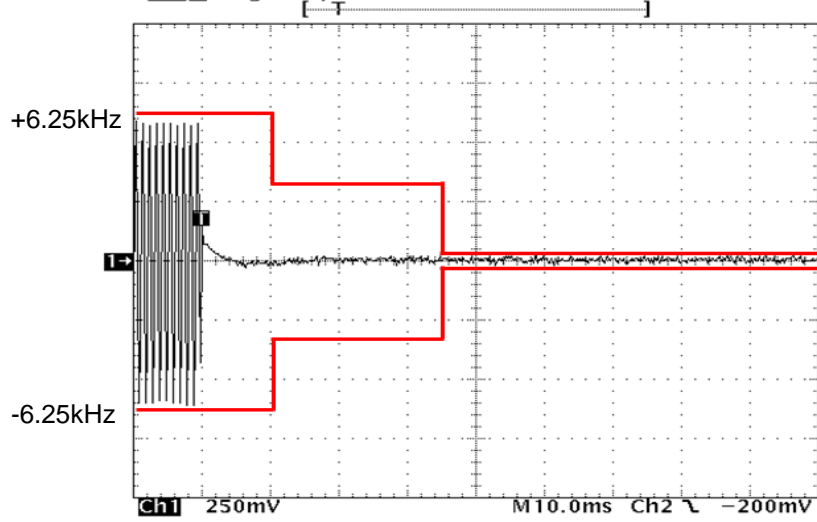
State : High Power / Authorized Bandwidth 6 kHz / 4K00F1E / F1D / F7W / 481.05 MHz / PTT:OFF -ON
Tek Stop: Single Seq 5.00kS/s



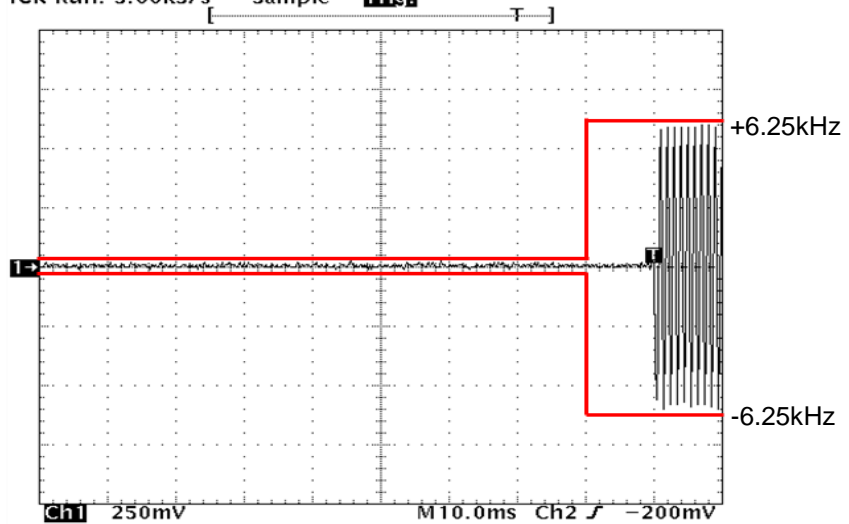
State : High Power / Authorized Bandwidth 6 kHz / 4K00F1E / F1D / F7W / 481.05 MHz / PTT:ON-OFF
Tek Run: 5.00kS/s Sample 1192



State : High Power / Authorized Bandwidth 6 kHz / 4K00F2D / 481.05 MHz / PTT:OFF -ON
Tek Stop: Single Seq 5.00kS/s



State : High Power / Authorized Bandwidth 6 kHz / 4K00F2D / 481.05 MHz / PTT:ON-OFF
Tek Run: 5.00kS/s Sample 100%



10.6 Audio Frequency Response / Audio Low Pass Filter (Voice Input)

REGULATIONS	: FCC Part 2 Section 1047 (a)
TEST METHOD/GUIDE	: ANSI/TIA-603-E Section 2.2.6.2.2, 3.2.6.2 ANSI C63.26 Section 5.3.3

Test Procedure

- 1 The EUT and test equipment were set up as shown on the following page.
- 2 Adjust the Modulation Analyzer for the following setting:
 - a) High-pass filter : 50 Hz
 - b) Low-pass filter : 15 kHz
 - c) Detector : positive peak
 - d) Function : FM
- 3 The audio signal input was adjusted to obtain 20 % modulation at 1 kHz, and this point was taken as the 0 dB reference level.
- 4 With input levels held constant and below limiting at all frequencies, the audio signal generator was varied from 100 Hz to 5 kHz.
- 5 The response in dB relative to 1 kHz was then measured, using the Modulation Analyzer.

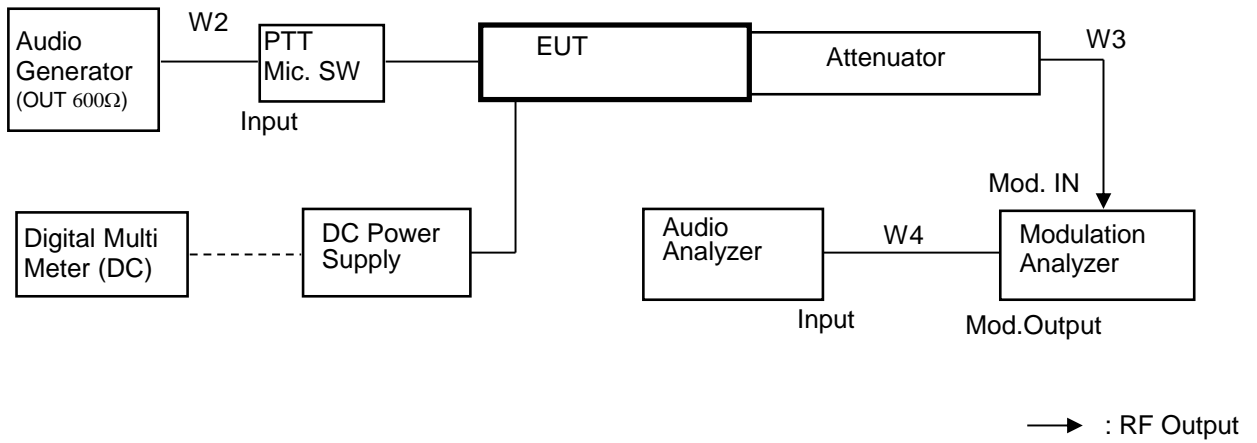
Measuring Equipments

No.	Equipment	Manufacture	Model No.	Serial No.	Cal. Interval	Effective period
1	Attenuator (20dB)	Aeroflex/Wenshel	66-20-34	BY4357	1Y	Jun. 30, 20
2	Attenuator (30dB)	Weinschel	WA-29-30-34	8923	1Y	Sep. 30, 20
3	Modulation Analyzer	Hewlett Packard	8901B	3403A04852	1Y	Jan. 31, 20
4	Audio Generator	Anritsu	MG443B	M70150	1Y	Jun. 30, 20
5	Audio Analyzer	Hewlett Packard	8903B	2948A07326	1Y	Jun. 30, 20
6	DC Power Supply	Daiichi denpa kogyo	GZV4000	90290931	None	None
7	Digital Multi Meter	FLUKE	8846A	9642018	1Y	Jun. 30, 20

Measuring Cables

No.	Cable	Manufacture	Model No.	Serial No.	Cal. Interval	Effective period
W2	Balance Cable	Nicoon	3D-2V	KSR00092	1Y	Apr. 30, 20
W4	Coaxial Cable	Daiyu Densen	3D-2V	KSR00100	1Y	Feb. 29, 20
W3	Coaxial Cable	Pacific custom	RG-58 C/U	AM90C04	1Y	Feb. 29, 20

Measuring Equipment Configuration

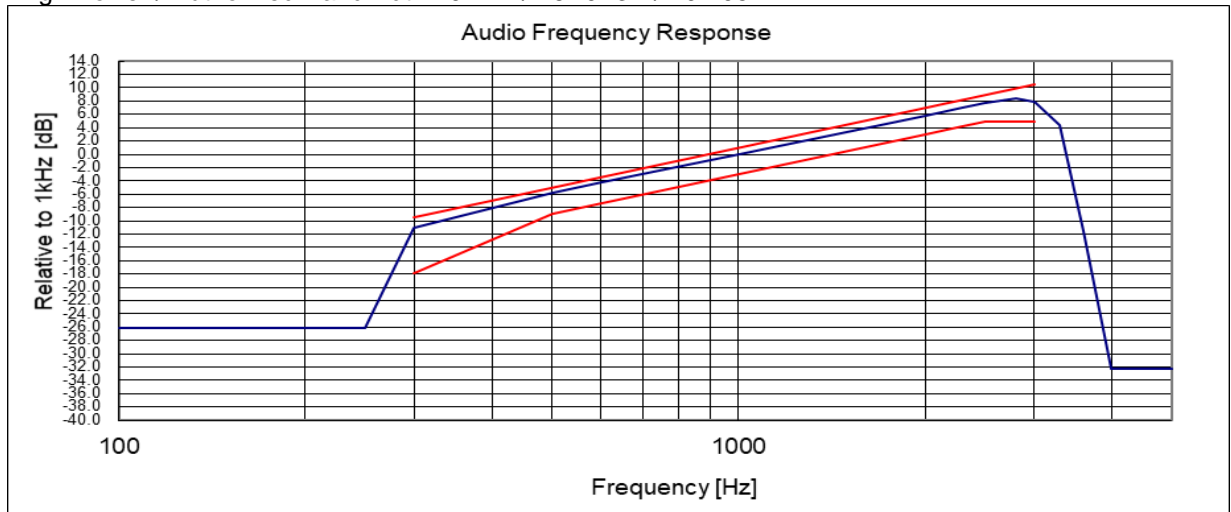


Test Results

Test date	Oct 01, 2019	
Location	Kashima No.12 Test Site	
temperature	24.8	[degree C]
Humidity Variation	68	[%]
Atmospheric Pressure	101.7	[kPa]
Test Engineer	Koichi Wagatsuma	

Test was carried out for all the frequency band of section 10.1
 State the worst case (below).

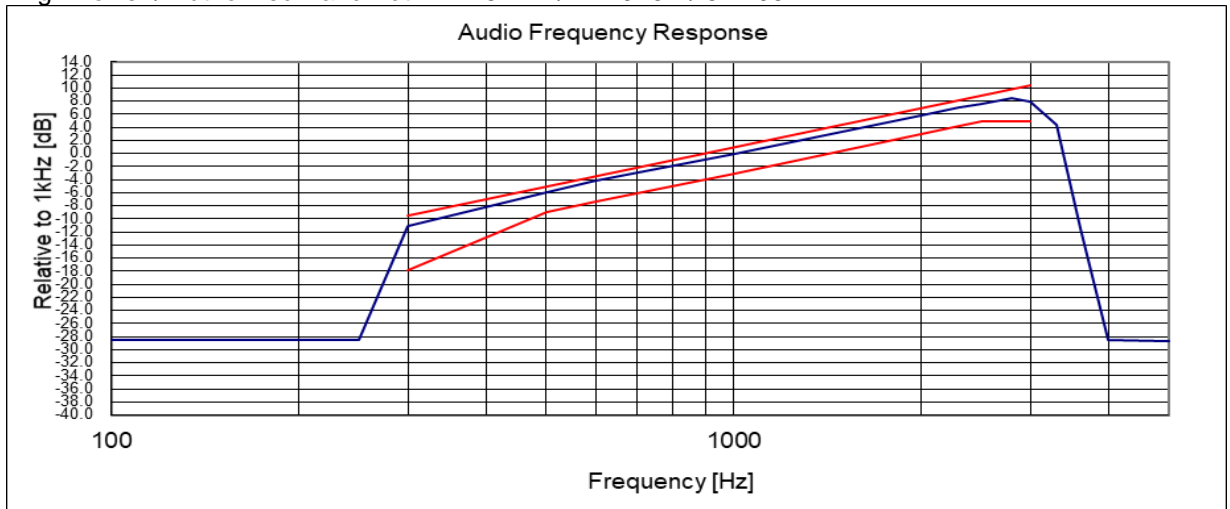
State : High Power / Authorized Bandwidth 20 kHz / 16K0F3E / 491.05 MHz



Note:

Audio Filter of the above result is substituted with the same structure as Audio Frequency Response.
 On the transmission condition below 3kHz,
 Transceiver shows pre-emphasis condition of transmission function.
 On the transmission condition above 3kHz, Transceiver shows Audio Low Pass Filter.

State : High Power / Authorized Bandwidth 11.25 kHz / 11K0F3E / 511.95 MHz



Note:

Audio Filter of the above result is substituted with the same structure as Audio Frequency Response.

On the transmission condition below 3kHz,

Transceiver shows pre-emphasis condition of transmission function.

On the transmission condition above 3kHz, Transceiver shows Audio Low Pass Filter.

10.7 Modulation Limiting

REGULATIONS	: FCC Part 2 Section 1047 (b)
TEST METHOD/GUIDE	: ANSI/TIA-603-E Section 2.2.3.2, 1.3.4.4 ANSI C63.26 Section 5.3.2

Test Procedure

- 1 The EUT and test equipment were set up as shown on the following page.
- 2 Adjust the Modulation Analyzer for the following setting:
 - a) High-pass filter : off
 - b) Low-pass filter : 15 kHz
 - c) Detector : positive peak
 - d) Function : FM
- 3 Apply a 1kHz modulation signal to the transmitter from the audio generator, and adjust the level to obtain 60% of full rated system deviation.
- 4 Measure the modulation frequency that was showed on the Modulation Analyzer when the output levels of the Audio Generator were changed from -20 dB to +50 dB by 10 dB.
- 5 Set the output frequencies of the Audio Generator 300 Hz and 3 kHz, and repeat test procedure 4.
- 6 Set the Detector of the Modulation Analyzer Negative Peak.
- 7 Repeat test procedure 4 and 5.

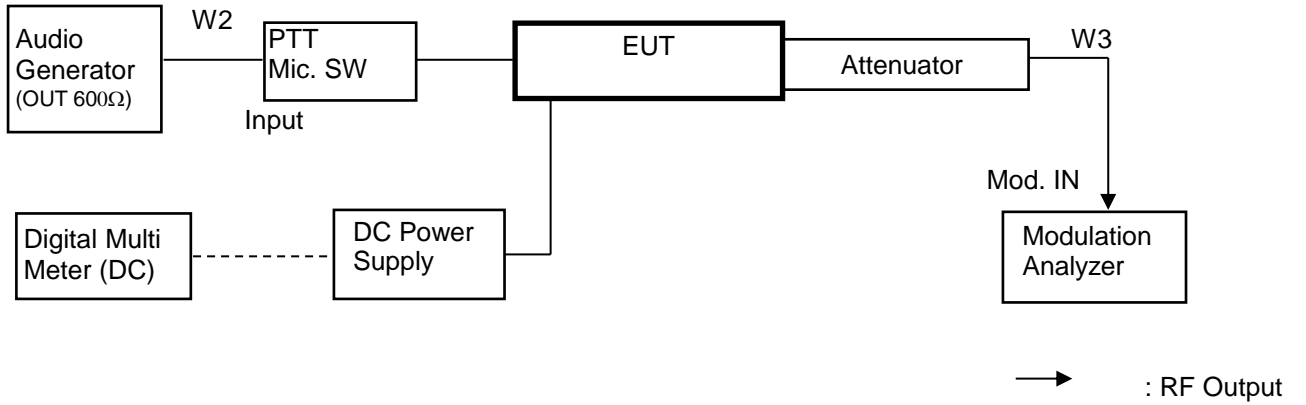
Measuring Equipments

No.	Equipment	Manufacture	Model No.	Serial No.	Cal. Interval	Effective period
1	Attenuator (20dB)	Aeroflex/Wenshel	66-20-34	BY4357	1Y	Jun. 30, 20
2	Attenuator (30dB)	Weinschel	WA-29-30-34	8923	1Y	Sep. 30, 20
3	Modulation Analyzer	Hewlett Packard	8901B	3403A04852	1Y	Jan. 31, 20
4	Audio Generator	Anritsu	MG443B	M70150	1Y	Jun. 30, 20
5	DC Power Supply	Daiichi denpa kogyo	GZV4000	90290931	None	None
4	Digital Multi Meter	FLUKE	8846A	9642018	1Y	Jun. 30, 20

Measuring Cables

No.	Cable	Manufacture	Model No.	Serial No.	Cal. Interval	Effective period
W2	Balance Cable	Nicoon	3D-2V	KSR00092	1Y	Apr. 30, 20
W3	Coaxial Cable	Pacific custom	RG-58 C/U	AM90C04	1Y	Feb. 29, 20

Measuring Equipment Configuration

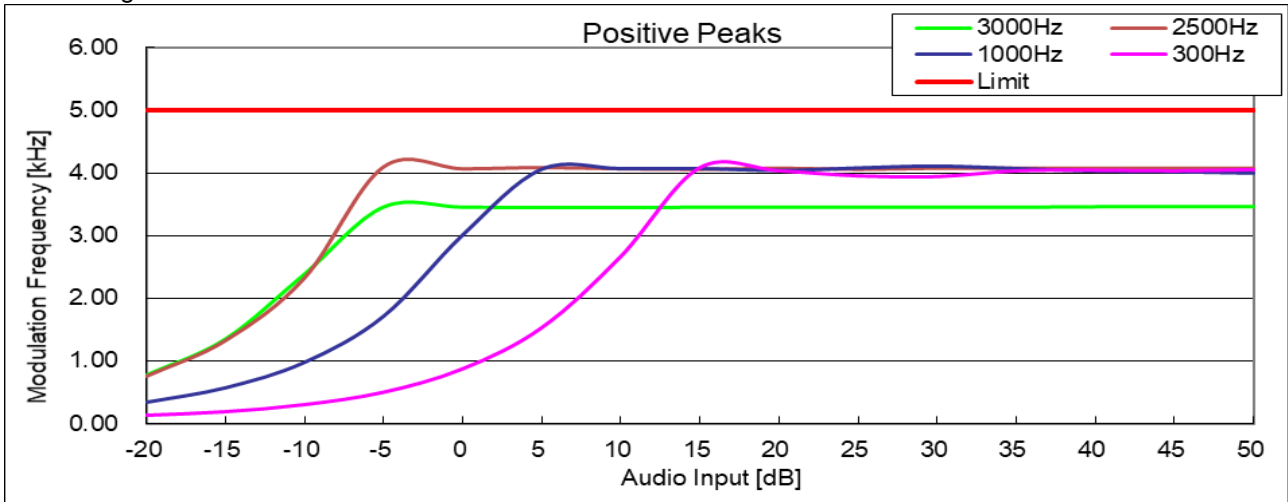


Test Results

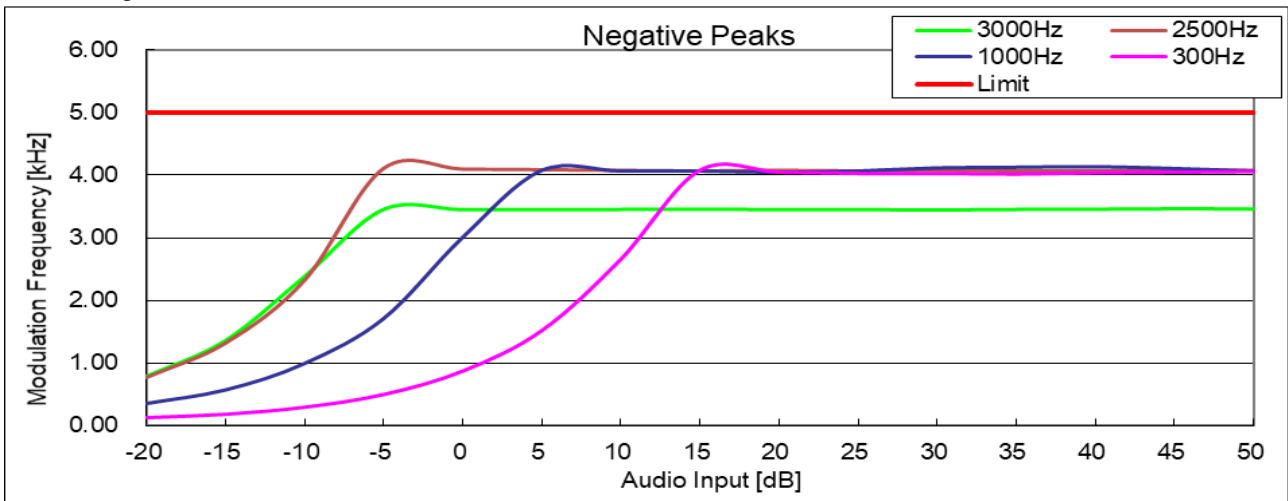
Test date	Oct. 01, 2019	
Location	Kashima No.12 Test Site	
temperature	24.8	[degree C]
Humidity Variation	60	[%]
Atmospheric Pressure	101.6	[kPa]
Test Engineer	Koichi Wagatsuma	

Test was carried out for all the frequency band of section 10.1
 State the worst case (below).

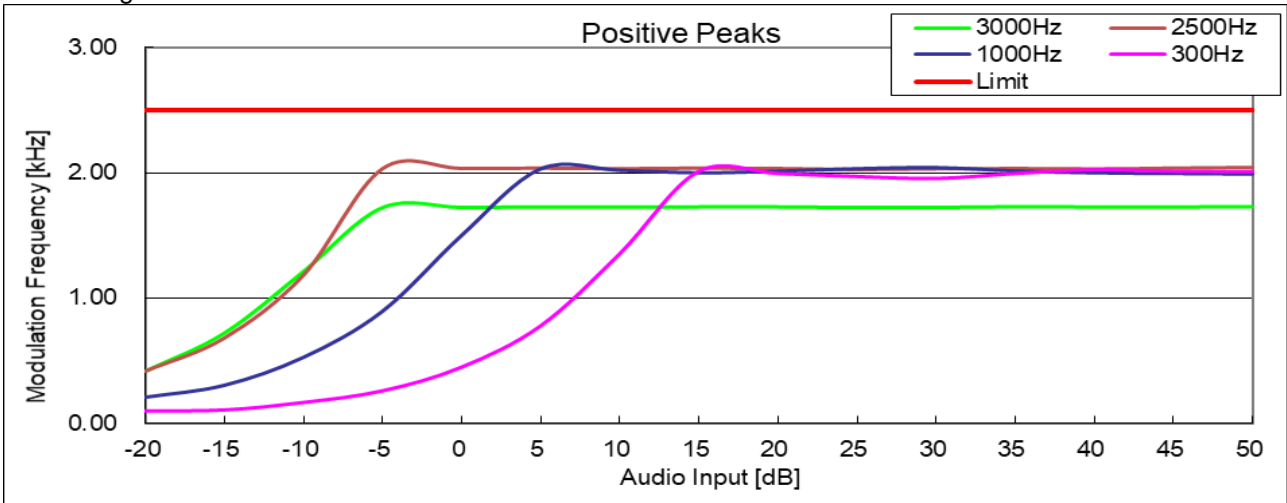
State : High Power / Authorized Bandwidth 20 kHz / 16K0F3E / 491.05 MHz



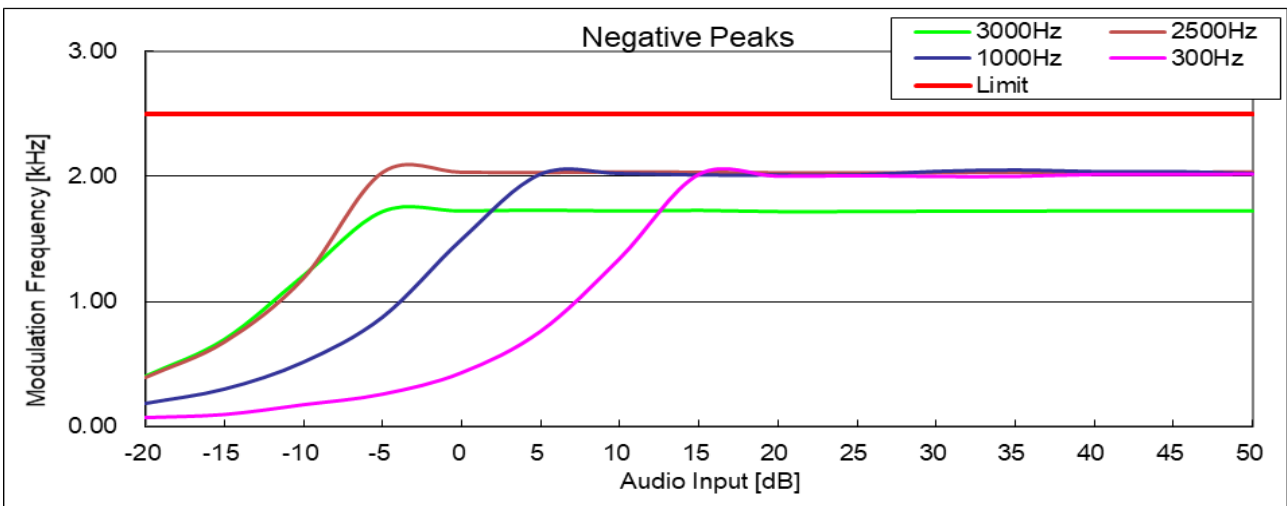
State : High Power / Authorized Bandwidth 20 kHz / 16K0F3E / 491.05 MHz



State : High Power / Authorized Bandwidth 11.25 kHz / 11K0F3E / 481.05 MHz



State : High Power / Authorized Bandwidth 11.25 kHz / 11K0F3E / 481.05 MHz



10.8 Frequency Stability (Temperature Variation)

REGULATIONS	: FCC Part 2 Section 1055 (a) (1), Part 22 Section 355 , Part 74Section 464 , Part 90 Section 213(a)
TEST METHOD/GUIDE	: ANSI/TIA-603-E Section 2.2.2.2 ANSI C63.26 Section 5.6

Test Procedure

- 1 The EUT and test equipment were set up as shown on the following page.
- 2 Set the temperature -30 degrees C.
- 3 Leave the EUT for 1 hour after it became the temperature that was set up.
- 4 Make the EUT the transmitting state.
measure the output frequency.
- 5 Make the EUT the receiving state.
- 6 Set the temperature 50 degrees C by 10 degrees C.
And repeat test procedure 4 to 6.

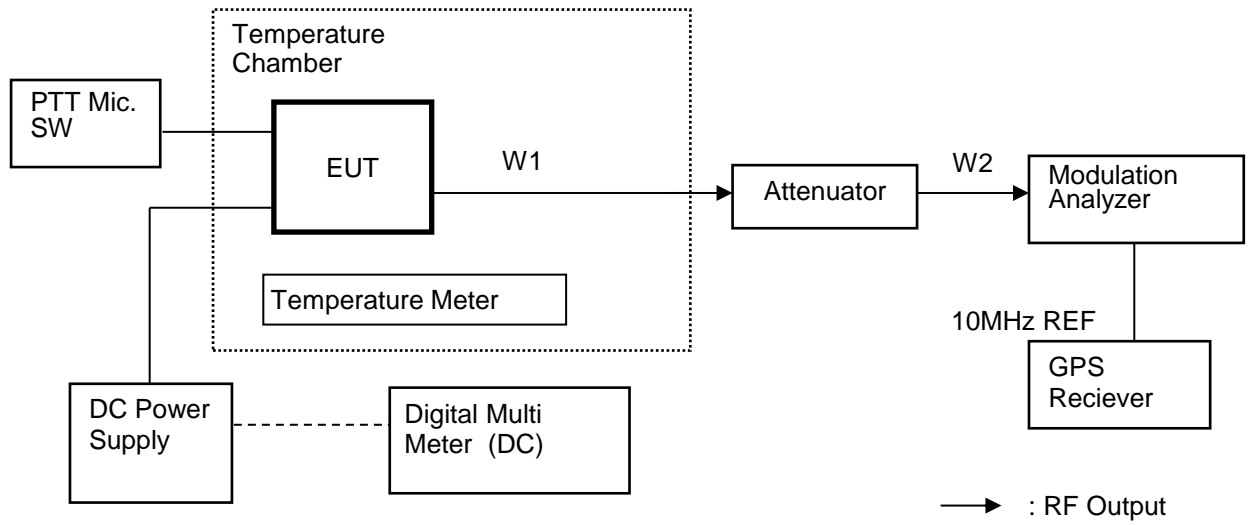
Measuring Equipments

No.	Equipment	Manufacture	Model No.	Serial No.	Cal. Interval	Effective period
1	Attenuator (20dB)	Aeroflex/Wenshel	66-20-34	BY4357	1Y	Jun. 30, 20
2	Attenuator (30dB)	Weinschel	WA-29-30-34	8923	1Y	Sep. 30, 20
3	Modulation Analyzer	Hewlett Packard	8901B	3403A04852	1Y	Jan. 31, 20
4	DC Power Supply	Daiichi denpa kogyo	GZV4000	90290932	None	None
5	Digital Multi Meter	FLUKE	8846A	9642018	1Y	Jun. 30, 20
6	Temperature Chamber	Tabai	PL-3F	5103661	None	None
7	Temperature Meter	T&D	TR-71nw	52160B67	1Y	Jan. 31, 20

Measuring Cables

No.	Cable	Manufacture	Model No.	Serial No.	Cal. Interval	Effective period
W2	Coaxial Cable	Pacific custom	RG-58 C/U	KSR00041	1Y	Feb. 29, 20
W1	Coaxial Cable	Suhner	SUCOFLEX104	KSR00042	1Y	Aug. 31, 20

Measuring Equipment Configuration



Test Results

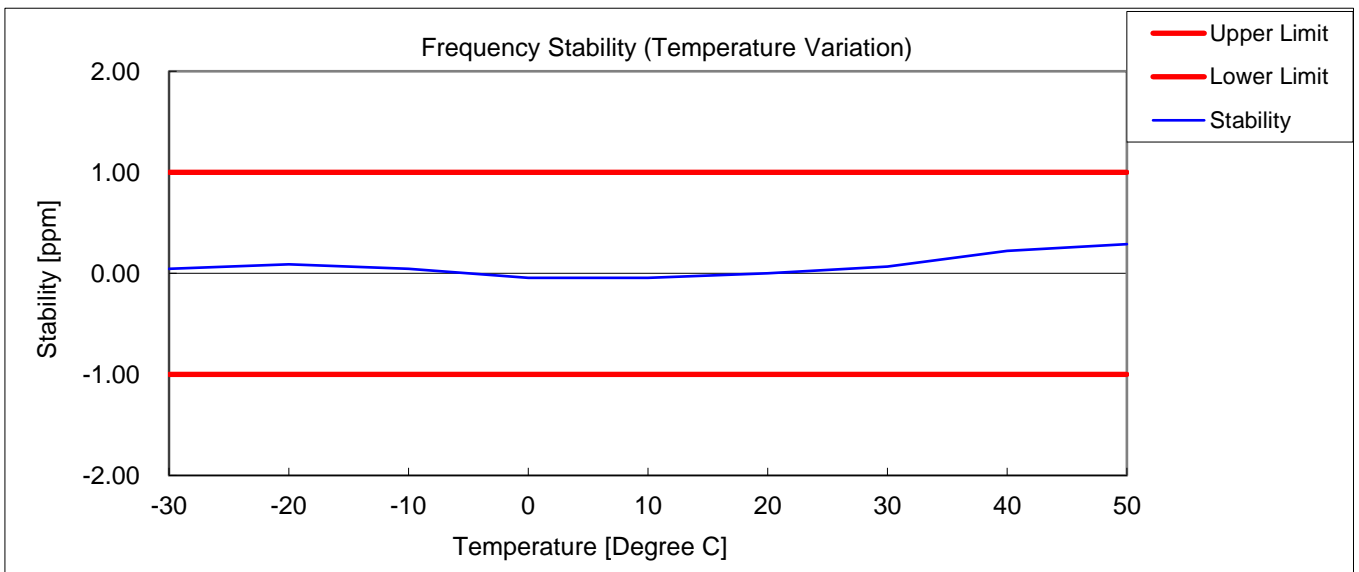
Test date	Oct. 15, 2019
Location	Kashima No.12 Test Site
Test Engineer	Koichi Wagatsuma

Test was carried out for all the frequency band of section 10.1
 State the worst case (below).

State : High Power / Authorized Bandwidth 11.25 kHz / 450.05 MHz

Reference Frequency: 450.050030 MHz

No.	Temperature (Degree C)	Frequency (MHz)	Stability (ppm)	Limit (+/- ppm)	Min. Margin (ppm)
1	-30	450.050050	0.04	1.0	0.96
2	-20	450.050070	0.09	1.0	0.91
3	-10	450.050050	0.04	1.0	0.96
4	0	450.050010	-0.04	1.0	0.96
5	10	450.050010	-0.04	1.0	0.96
6	20	450.050030	0.00	1.0	1.00
7	30	450.050060	0.07	1.0	0.93
8	40	450.050130	0.22	1.0	0.78
9	50	450.050160	0.29	1.0	0.71



10.9 Frequency Stability (Voltage Variation)

REGULATIONS	: FCC Part 2 Section 1055 (a) (1), Part 22 Section 355 , Part 74Section 464 , Part 90 Section 213(a)
TEST METHOD/GUIDE	: ANSI/TIA-603-E Section 2.2.2.2 ANSI C63.26 Section 5.6

Test Procedure

- 1 The EUT and test equipment were set up as shown on the following page.
- 2 The power supply voltage to the EUT was varied from 85 % to 115 % of the nominal value measured at the input to the EUT.

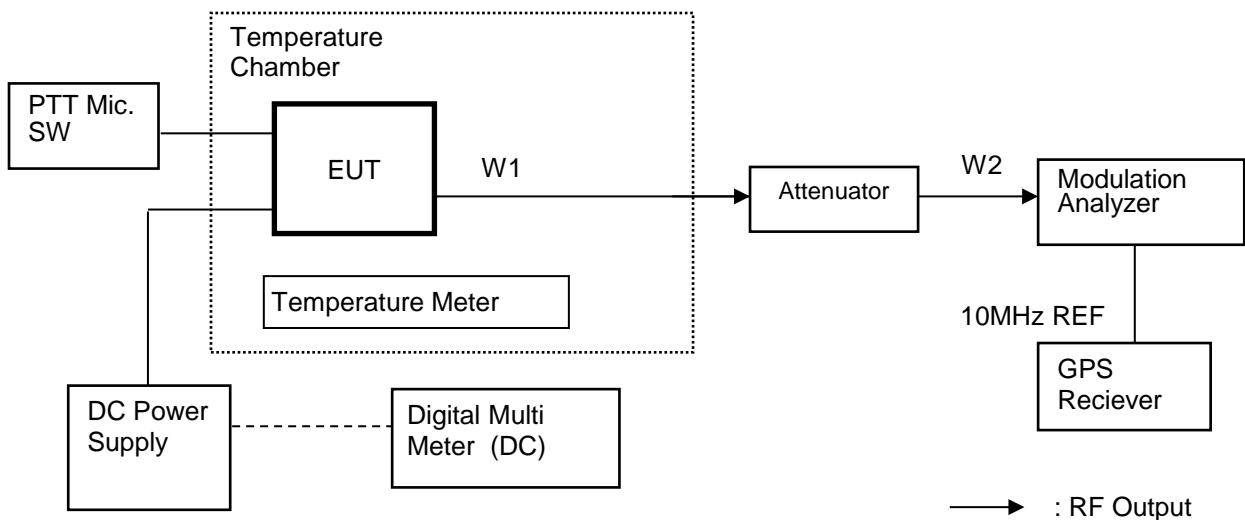
Measuring Equipments

No.	Equipment	Manufacture	Model No.	Serial No.	Cal. Interval	Effective period
1	Attenuator (20dB)	Aeroflex/Wenshel	66-20-34	BY4357	1Y	Jun. 30, 20
2	Attenuator (30dB)	Weinschel	WA-29-30-34	8923	1Y	Sep. 30, 20
3	Modulation Analyzer	Hewlett Packard	8901B	3403A04852	1Y	Jan. 31, 20
4	DC Power Supply	Daiichi denpa kogy	GZV4000	90290932	None	None
5	Digital Multi Meter	FLUKE	8846A	9642018	1Y	Jun. 30, 20
6	Temperature Chamber	Tabai	PL-3F	5103661	None	None
7	Temperature Meter	T&D	TR-71nw	52160B67	1Y	Jan. 31, 20

Measuring Cables

No.	Cable	Manufacture	Model No.	Serial No.	Cal. Interval	Effective period
W2	Coaxial Cable	Pacific custom	RG-58 C/U	KSR00041	1Y	Feb. 29, 20
W1	Coaxial Cable	Suhner	SUCOFLEX104	KSR00042	1Y	Aug. 31, 20

Measuring Equipment Configuration



Test Results

Test date	Oct 15, 2019
Location	Kashima No.12 Test Site
Test Engineer	Koichi Wagatsuma

Test was carried out for all the frequency band of section 10.1
 State the worst case (below).

State : High Power / Authorized Bandwidth 11.25 kHz / 450.05 MHz

Reference Frequency: 450.050030 MHz

No.	Temperature (Degree C)	Diviation (%)	Voltage (V)	Frequency (MHz)	Stability (ppm)	Limit +/- (ppm)	Margin (ppm)
1	20+/-5	85	11.39	450.050030	0.00	1.0	1.00
2	20+/-5	100	13.40	450.050030	0.00	1.0	1.00
3	20+/-5	115	15.41	450.050030	0.00	1.0	1.00

10.10 Necessary Bandwidth and Emission Bandwidth

REGULATIONS : FCC Part 2 Section 202 (g) & Federal Register/ Vol.68, No236

Calculation Results

This information was provided by the Applicant or customer.
 Intertek doesn't take any responsibility for the information.

State : 16K0F3E (Authorized Bandwidth 20 kHz)

Item	Mark		
Maximum Modulation	(M)	3	kHz
Maximum Deviation	(D)	5	kHz
Constant Factor	(K)	1	
Necessary Bandwidth	(Bn)	16	kHz

$B_n = (2xM)+(2xDxK)$

- 1.types of modulation of the main carrier : F= Frequency modulation
- 2.nature of signal(s) modulating the main carrier: 3= A single channel containing analog information
- 3.type of information to be transmitted: E= Telephony (including sound broadcasting)

State : 11K0F3E (Authorized Bandwidth 11.25 kHz)

Item	Mark		
Maximum Modulation	(M)	3	kHz
Maximum Deviation	(D)	2.5	kHz
Constant Factor	(K)	1	
Necessary Bandwidth	(Bn)	11	kHz

$B_n = (2xM)+(2xDxK)$

- 1.types of modulation of the main carrier : F= Frequency modulation
- 2.nature of signal(s) modulating the main carrier: 3= A single channel containing analog information
- 3.type of information to be transmitted: E= Telephony (including sound broadcasting)

State: 8K10F1E / 8K10F1D / 8K10F1W (9600bps, Authorized Bandwidth 11.25 kHz)

Item	Mark		
Digital information rate	(R)	9600	bps
Peak frequency deviation	(D)	3.111	kHz
Signaling states	(S)	4	
Numerical factor	(K)	1	
Necessary Bandwidth	(Bn)	8.1	kHz Measurements were done*

*Measurements per Rule 47CFR Part 2.202(c)(4) were done because Part 2.202(g) Table III-A.1.

formulation produces an excessive result using the value of K recommended in th Table. Therefore the 99% energy rule (title 47CFR 2.202(a)) was used for digital mode and is more accurate than Carson's rule. It basically states that 99% of the modulation energy falls within X kHz, in this case, 8.10kHz Measurements were performed in accordance with TIA/EIA 102.CAAB Section 2.2.5.2. The emission mask was obtained from 47CFR 90.210(d).

- 1.types of modulation of the main carrier : F= Frequency modulation
- 2.nature of signal(s) modulating the main carrier: 1= A single channel containing quantized or digital
- 3.type of information to be transmitted: E= Telephony (including sound broadcasting)
 D= Data transmission, telemetry, telecommand
 W= Combination of the above

State : 8K30F1E / 8K30F1D / 8K30F7W (4Level FSK / 9600bps, Authorized Bandwidth 11.25 kHz)

Item	Mark		
Digital information rate	(R)	9600	bps
Peak frequency deviation	(D)	3.391	kHz
Signaling states	(S)	4	
Numerical factor	(K)	0.516	
Necessary Bandwidth	(Bn)	8.3	kHz

$$B_n = (R/\log_2 S) + 2x D x K$$

- 1.types of modulation of the main carrier : F= Frequency modulation
 2.nature of signal(s) modulating the main carrier: 1= A single channel containing quantized or digital information without the use of a modulating sub-carrier
 7= Two or more channels containing quantized or digital information
 3.type of information to be transmitted: E= Telephony (including sound broadcasting)
 D= Data transmission, telemetry, telecommand
 W= Combination of the above

State : 4K00F1E / 4K00F1D / 4K00F7W (4Level FSK / 4800bps, Authorized Bandwidth 6 kHz)

Item	Mark		
Digital information rate	(R)	4800	bps
Peak frequency deviation	(D)	1.55	kHz
Signaling states	(S)	4	
Numerical factor	(K)	0.516	
Necessary Bandwidth	(Bn)	4	kHz

$$B_n = (R/\log_2 S) + 2x D x K$$

- 1.types of modulation of the main carrier : F= Frequency modulation
 2.nature of signal(s) modulating the main carrier: 1= A single channel containing quantized or digital information without the use of a modulating sub-carrier
 7= Two or more channels containing quantized or digital information
 3.type of information to be transmitted: E= Telephony (including sound broadcasting)
 D= Data transmission, telemetry, telecommand
 W= Combination of the above

State : 4K00F2D (CWID, Authorized Bandwidth 6 kHz)

Item	Mark		
Maximum Modulation	(M)	0.8	kHz
Maximum Deviation	(D)	1.2	kHz
Numerical factor	(K)	1	
Necessary Bandwidth	(Bn)	4	kHz

$$B_n = (2xM) + (2x D x K)$$

- 1.types of modulation of the main carrier : F= Frequency modulation
 2.nature of signal(s) modulating the main carrier: 2= A single channel containing quantized or digital information with the
 3.type of information to be transmitted: D= Data transmission, telemetry, telecommand