



## TEST REPORT

REGULATION :

FCC Part 2, 22, 74, 90, 90.210  
RSS-119 Issue 9(2007)

Applicant	Testing Laboratory
Kenwood Corporation 1-16-2, Hakusan, Midori-ku, Yokohama-shi Kanagawa, 226-8525 Japan Tel.: +81 45 939 6254 Fax.: +81 45 939 7097	ETL SEMKO Japan K. K. Kashima No.1 Test site FCC File Number : 934283 IC File Number : IC-2065A 3-2, Sunayama, Kamisu-shi, Ibaraki-ken 314-0255 Japan Tel.: +81 479 40 1097 Fax.: +81 479 46 1788 URL: www.japan.intertek-etlsemko.com

<b>Equipment type</b>	VHF DIGITAL TRANSCEIVER
<b>Trademark</b>	KENWOOD
<b>Model(s)</b>	NX-700-K
<b>Serial No.</b>	None
<b>FCC ID</b>	K44378600
<b>IC CN and UPN</b>	282F-378600
<b>Measurement Method</b>	ANSI/TIA-603-C-2004 / RSS-119 Issue 9(2007), RSS-Gen Issue 2(2007)
<b>Deviation from standard(s)</b>	No deviation
<b>Test Result</b>	Complied
<b>Report Number</b>	ESJ-107108
<b>Report issue date</b>	July 12, 2007

This equipment has been shown to be capable of compliance with the applicable standard(s) as indicated in the test report.

I attest to the accuracy of data. All measurements reported herein were performed by me or were made under my supervision and are correct to the best of my knowledge and belief. I assume full responsibility for the completeness of these measurements and vouch for the qualifications of all persons taking them.

This test report shall not be reproduced partially, or in full, without the prior written approval of ETL SEMKO Japan K. K. The results and statements contained in this report pertain only to the equipment evaluated.

Approved by

Kazuo Gokita

[Assistant Site Manager]

Tested by

Naoki Ikeda

## TABLE OF CONTENTS

---

	Page
SECTION 1. GENERAL INFORMATION	3
SECTION 2. TEST AND MEASUREMENT DATA	5
SECTION 3. INFORMATION ABOUT EUT AND SUPPORT EQUIPMENT(S)	6
SECTION 4. MEASUREMENT RESULT	8
SECTION 5. TEST DATA	
5.1 Carrier Output Power (Conducted)	9
5.2 Unwanted Emissions (Transmitter Conducted)	11
5.3 Field Strength of Spurious Radiation	14
5.4 Emission Masks (Occupied Bandwidth)	18
5.5 Transient Frequency Behavior	26
5.6 Audio Frequency Response / Audio Low Pass Filter (Voice Input)	31
5.7 Modulation Limiting	34
5.8 Frequency Stability (Temperature Variation)	38
5.9 Frequency Stability (Voltage Variation)	41
5.10 Receiver Spurious Emissions(Radiated)	43
5.11 Necessary Bandwidth and Emission Bandwidth	47
SECTION 6. VALIDITY OF TEST REPORT	49
SECTION 7. DESCRIPTION OF TEST SITE	49
APPENDIX PHOTOGRAPHS	

---

**SECTION 1. GENERAL INFORMATION**

<b>Description of Test Item</b>	
Kind of EUT	: VHF DIGITAL TRANSCEIVER
Condition of EUT	: Prototype
Type	: Mobile type
Trademark	: KENWOOD

<b>Test Performed</b>	
EUT Received	: June 11, 2007
Test started	: June 11, 2007
Test completed	: June 29, 2007
Temperature	: 20 to 26 degree C
Humidity	: 45 to 72 %
Atmospheric	: 101.2 to 102.1 kPa
Voltage	: DC 13.6 V +/- 20 %
Current	: 9 A Maximum
Frequency	: None

<b>Test Tracability</b>	
Tracability to national standards of test result is achieved by means of calibration tractability to national or international standards.	

<b>Abbreviations</b>	
EUT = Equipment Under Test	Cal Exp. = Calibration Expire
D.R.G. Antenna = Double Rigid Guide Antenna	RBW = Resolution Band Width
AVG = Average	VBW = Video Band Width

**In Accordance with FCC Rules and Regulations, Volume II, Part 2 and 90****Sub-part 2.1033**

<b>(c)(1) Applicant and Manufacture Information</b>	
APPLICANT	
Company	: Kenwood Corporation
Address	: 1-16-2, Hakusan, Midori-ku, Yokohama-shi, Kanagawa, 226-8525 Japan
Contact Person	: Tamaki Shimamura Manager, Communications Equipment Division
MANUFACTURER	
Company	: Kenwood Corporation
Address	: 1-16-2, Hakusan, Midori-ku, Yokohama-shi, Kanagawa, 226-8525 Japan
<b>(c)(2) FCC ID</b>	
FCC ID	: K44378600
Model number	: NX-700-K
Serial number	: None
<b>(c)(3) Instruction Manual(S)</b>	
Instruction manual(s)	: Please refer to attached Exhibits F
<b>(c)(4) Type of Emission</b>	
Emission Designation	: 16K0F3E(Wide) / 11K0F3E(Narrow) 14K4F1D(Wide) 8K30F1E(Narrow) / 8K30F1D(Narrow) / 8K30F7W(Narrow) 8K10F1E(Narrow) / 8K10F1D(Narrow) 4K00F1E(Very Narrow) / 4K00F1D(Very Narrow) / 4K00F7W(Very Narrow) 4K00F2D(Very Narrow)
<b>(c)(5) Frequency range</b>	
Frequency Range	: 150 to 174 MHz(CFR) / 138 to 144 and 148 to 174 MHz(RSS)
<b>(c)(6) Power Rating</b>	
Output Power	: 1 to 30 W
Type	: Continuously Variable
<b>(c)(7) Maximum Power Rating</b>	
Output Power	: 30 W
<b>Other Information</b>	
Number of Channel	: 250
Maximum Deviation	: 5 kHz / 2.5 kHz
Frequency Stability	: 2 ppm
Antenna Impedance	: 50 $\Omega$ Norminal
<b>Note</b>	

**SECTION 2. TEST AND MEASUREMENT DATA**

All test and measurements indicated in this document were performed in accordance with the Code of Federal Regulations Title 47 Part 2, Sub-part J and Industry Canada as the following individual parts:

FCC Rule	Test Item	Tested
Part 21	Domestic Public Fixed radio Services	N.A.
<b>Part 22</b>	<b>Non Cellular</b>	<b>YES</b>
Part 22	Public Mobile Services	N.A.
Part 22	Subpart H - Cellular Radiotelephone Service	N.A.
Part 22	Alternative technologies and auxiliary service	N.A.
Part 23	International Fixed Public Radiocommunication service	N.A.
Part 24	Personal Communications Services	N.A.
<b>Part 74</b>	<b>Subpart H - Low Power Auxiliary Stations</b>	<b>YES</b>
Part 80	Stations in the Maritime Services	N.A.
Part 80	Subpart E - general Technical Standards	N.A.
Part 80	Subpart F - Equipment Authorization for Compulsory Ships	N.A.
Part 80	Subpart K - Private Coast Stations and Marine Utility Stations	N.A.
Part 80	Subpart S - Compulsory radiotelephone Installations for Small Passenger Boats	N.A.
Part 80	Subpart T - Radiotelephone Installation Required for Vessels on the Great Lakes	N.A.
Part 80	Subpart U - Radiotelephone Installations Required by the Bridge-to-Bridge Act	N.A.
Part 80	Subpart V - Emergency Position Indicating Radiobeacons (EPIRB'S)	N.A.
Part 80	Subpart W - Global Maritime Distress and Safety System (GMDSS)	N.A.
Part 80	Subpart X - Voluntary Radio Installations	N.A.
Part 87	Aviation Services	N.A.
<b>Part 90</b>	<b>Private Land Mobile radio Services</b>	<b>YES</b>
Part 94	Private Operational - Fixed Microwave Service	N.A.
Part 95	Subpart A - General Mobile radio Service	N.A.
Part 95	Subpart C - Radio Control (R/C) radio Service	N.A.
Part 95	Subpart D - Citizens Band (CB) Radio Service	N.A.
Part 95	Subpart E -Family radio Service	N.A.
Part 95	Subpart F -Interactive Video and Data Service (IVDS)	N.A.
Part 97	Amateur Radio Service	N.A.
Part 101	Fixed Microwave Service	N.A.

IC Rule	Test Item	Tested
<b>RSS-119</b>	<b>Land Mobile and Fixed Radio Transmitters and Receivers</b>	<b>YES</b>
<b>RSS-Gen</b>	<b>General Requirements and Information for the Certification of Radiocommunication Equipment</b>	<b>YES</b>

**SECTION 3. INFORMATION ABOUT EUT AND SUPPORT EQUIPMENT(S)****List of System Configuration**

Symbol	Item	Model No.	Serial No.	Manufacture	Notes
A	VHF DIGITAL TRANSCEIVER	NX-700-K	None	Kenwood Corporation	EUT

**Port(s)/Connector(s)**

Port Name	Connector Type	Connector Pin	Notes
ACC	D-Sub	25 pin	
Speaker	Jack	2 pin	
Antenna	M	2 pin	
Microphone	Modular Jack	8 pin	

**Support Equipment(s)**

Symbol	Item	Model No.	Serial No.	Manufacture	FCC ID
B	CONTROL HEAD REMOTE KIT	KRK-10	None	KENWOOD	N/A
C	KEYPAD MICROPHONE	KMC-36	None	KENWOOD	N/A
D	EXTERNAL SPEAKER	KES-3	None	KENWOOD	N/A
E	Dummy Load	CT-150NP	None	TAMAGAWA	N/A
F	DC Power Supply	PS-3020	None	Daiwa	N/A
G	IGNITION SENSE Cable	KCT-46	None	KENWOOD	N/A
H	VOICE GUIDE & STORAGE UNIT	VGS-1	None	KENWOOD	N/A
I	SECURE CRYPTOGRAPHIC MODULE	KWD-AE20	None	KENWOOD	N/A

**Used Cable(s)**

No.	Name	Length (m)	Shield	Connector
1	KEYPAD MICROPHONE Cable	0.50	No	Plastic
2	CONTROL HEAD REMOTE KIT Cable	7.00	Yes	-
3	EXTERNAL SPEAKER Cable	3.00	No	Plastic
4	Antenna Cable	0.90	Yes	Metal
5	IGNITION SENSE Sub Cable	0.12	No	Metal
6	IGNITION SENSE Cable	3.20	No	Metal
7	ACC Cable	1.70	Yes	Metal
8	DC Sub Cable for EUT	0.25	No	Plastic
9	DC Cable for EUT	3.00	No	Plastic
10	Power Cable for DC Power Supply	1.70	No	-

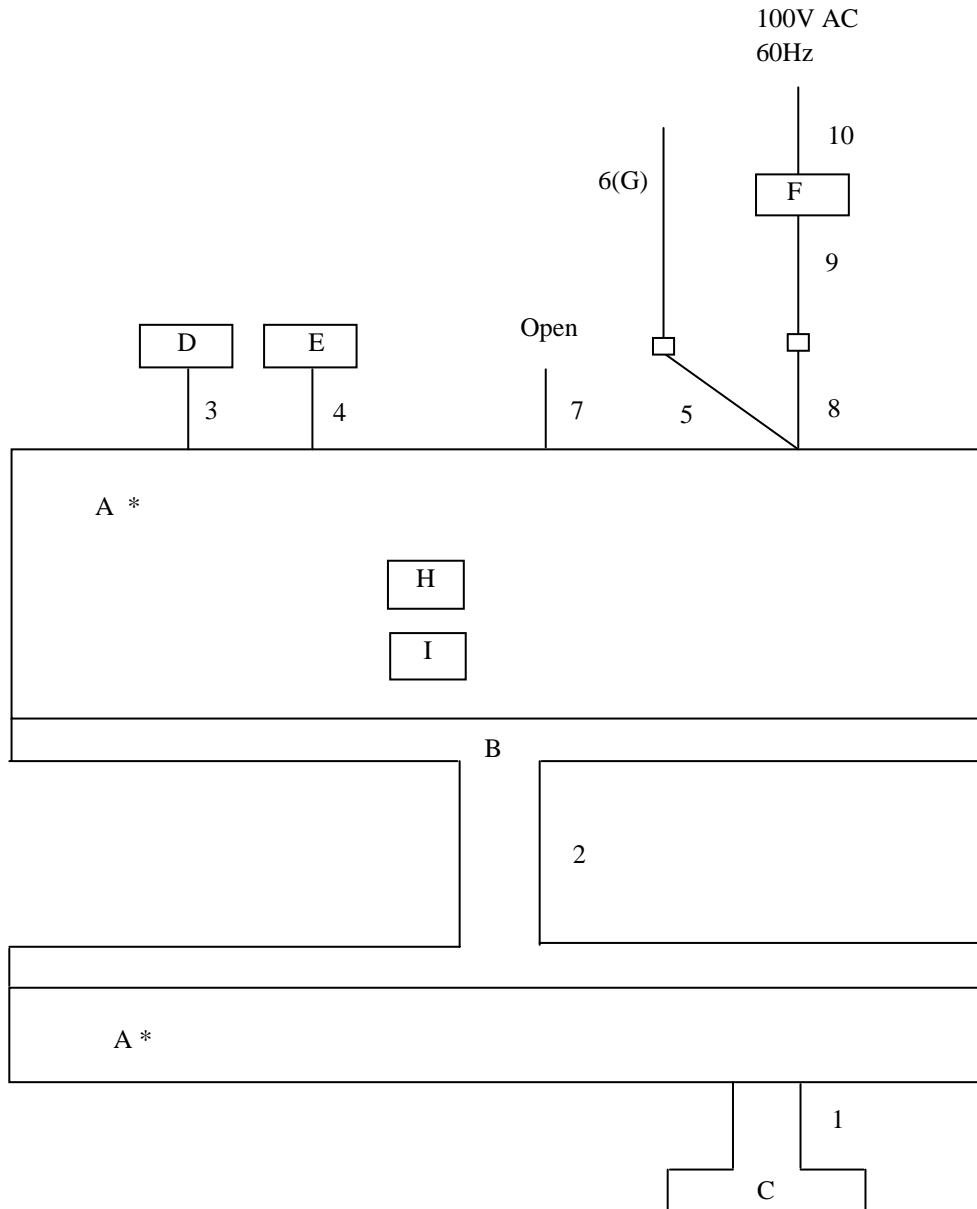
Note: No.5 IGNITION SENSE Sub Cable is fixed.

**Details of Configuration and Connection**

Example: Case of Section 5.3 and 5.10 Radiation Test

\* :EUT

□ :Joint Connector



**SECTION 4. MEASUREMENT RESULT**

FCC Part2	Part22	Part74	Part90	Rule RSS-119	TEST ITEM	RESULTS
2.1046 (a)	-	-	-	5.4	Carrier Output Power (Conducted)	PASS
2.1051	-	-	90.210	5.8	Unwanted Emissions (Transmitter Conducted)	PASS
2.1053 (a)	-	-	90.210	5.8	Field Strength of Spurious Radiation	PASS
2.1049 (c) (1)	22.359, 357	74.1236	90.210	5.8	Emission Masks (Occupied Bandwidth)	PASS
-	-	-	90.214	5.9	Transient Frequency Behavior	PASS
2.1047 (a)	-	-	90.242 (b) (8)	-	Audio Low Pass Filter (Voice Input)	PASS
2.1047 (a)	-	-	-	-	Audio Frequency Response	PASS
2.1047 (b)	-	-	-	-	Modulation Limiting	PASS
2.1055 (a) (1)	22.355	74.1261 (b)	90.213 (a)	5.3	Frequency Stability (Temperature Variation)	PASS
2.1055 (d) (1)	22.355	74.1261 (b)	90.213 (a)	5.3	Frequency Stability (Voltage Variation)	PASS
-	-	-	-	5.11	Receiver Spurious Emissions	PASS

**Limitation on Results**

The test result of this report is effective equipment under test itself and under the test configuration described on the report. This test report does not assure that whether the test result taken in other testing laboratory is compatible or reproducible to the test result on this report or not.



**SECTION 5. TEST DATA**

**5.1 Carrier Output Power (Conducted)**

REGULATIONS	: 47 CFR 2.1046 (a) / RSS-119 Section 5.4
TEST METHOD/GUIDE	: ANSI/TIA-603-C Section 2.2.1.2 / RSS-119 Section 4.1

**Test Procedure**

- 1 The EUT and test equipment were set up as shown on the following page.
- 2 The EUT was conducted to a resistive coaxial attenuator of normal load impedance.  
 $RF\ Power\ (dBm) = Power\ Meter\ reading\ (dBm) + Attenuator\ Loss\ (dB) + Cable\ Loss\ (dB)$   
 $RF\ Power\ (W) = 10^{(RF\ Power\ (dBm)/10)}/1000$

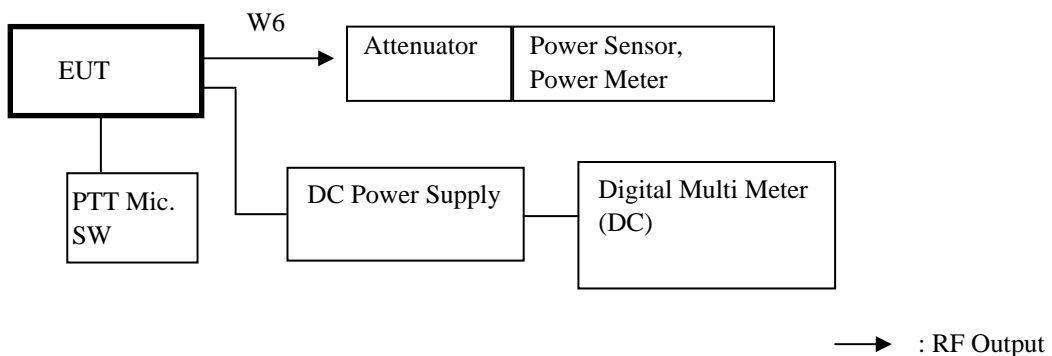
**Measuring Equipments**

No.	Equipment	Manufacture	Model No.	Serial No.	Cal Date	Cal Exp.
1	Power Meter	Hewlett Packard	E4418B	GB38410265	May 17, 07	May 31, 08
2	Power Sensor	Hewlett Packard	8482A	US37292237	May 09, 07	May 31, 08
3	Attenuator (20dB)	Weinschel	40-20-34	AA5761	Jun. 15, 06	Jun. 30, 07
4	Attenuator (30dB)	Weinschel	WA-29-30-34	8923	Jun. 15, 06	Jun. 30, 07
5	Digital Multi Meter	Sanwa	CD721	3215593	May 18, 07	May 31, 08
6	DC Power Supply	Daiwa	PS-3020	None	None	None

**Measuring Cables**

No.	Cable	Manufacturer	Model No.	Serial No.	Cal Date	Cal Exp.
W6	Coaxial Cable	Suhner	SUCOFLEX102	KSR00091	Oct. 01, 06	Oct. 31, 07

**Measuring Equipment Configuration**



**Uncertainty**

Measurement uncertainty is +/- 0.5dB (k = 2)

**Test Results**

Measured for the worst case

No.	Frequency (MHz)	Band	Setting	RF Power (W)
1	150.05	Low (CFR)	High Power	30.0
2	162.05	Middle (CFR)	High Power	30.0
3	173.95	High (CFR/RSS)	High Power	30.0
4	150.05	Low (CFR)	Low Power	1.0
5	162.05	Middle (CFR)	Low Power	1.0
6	173.95	High (CFR/RSS)	Low Power	1.0
7	138.05	Low (RSS)	High Power	30.0
8	156.05	Middle (RSS)	High Power	30.0
9	138.05	Low (RSS)	Low Power	1.0
10	156.05	Middle (RSS)	Low Power	1.0

## 5.2 Unwanted Emissions (Transmitter Conducted)

REGULATIONS	: 47 CFR 2.1051, 90.210 / RSS-119 Section 5.8
TEST METHOD/GUIDE	: ANSI/TIA-603-C Section 2.2.13.2 / RSS-119 Section 4.2, RSS-Gen Section 4.9

### Test Procedure

- 1 The EUT and test equipment were set up as shown on the following page.
- 2 Modulate the transmitter with a 2.5 kHz sine wave at an input Level of 16 dB greater than that necessary to produce 50 % of rated system deviation.
- 3 Adjust the spectrum analyzer for the following setting:
  - a) RBW : 10 kHz (< 1 GHz), 1 MHz (> 1 GHz).
  - b) VBW : 30 kHz (< 1 GHz), 3 MHz (> 1 GHz).
  - c) Sweep Speed : 50 msec.
  - d) Detector mode : Average
- 4 The emissions were measured for the worst case as follows:
  - a) : within a band of frequencies defined by the carrier frequency plus and minus one channel.
  - b) : from the lowest frequency generated in the EUT and to at least the 10th harmonic of the carrier frequency, or 40 GHz, whichever is lower.

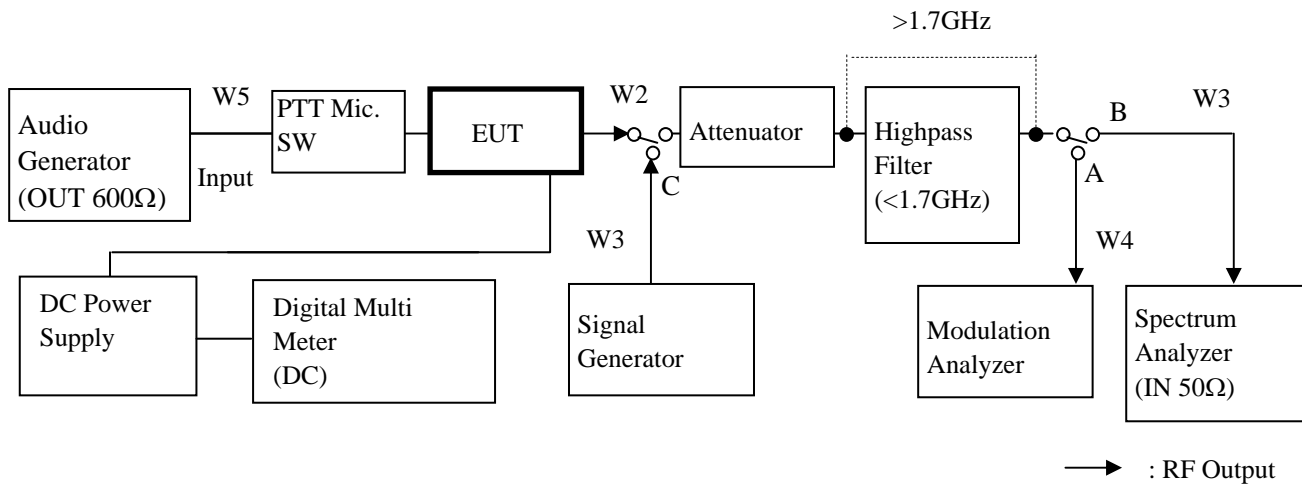
### Measuring Equipments

No.	Equipment	Manufacture	Model No.	Serial No.	Cal Date	Cal Exp.
1	Audio Generator	Anritsu	MG443B	M70150	Aug. 25, 06	Aug. 31, 07
2	Attenuator (20dB)	Weinschel	40-20-34	AA5761	Jun. 15, 06	Jun. 30, 07
3	Attenuator (30dB)	Weinschel	WA-29-30-34	8923	Jun. 15, 06	Jun. 30, 07
4	Modulation Analyzer	Hewlett Packard	8901B	2806A01669	Mar. 21, 07	Mar. 31, 08
5	Signal Generator	Hewlett Packard	8657B	3247U03266	Dec. 25, 06	Dec. 31, 07
6	Signal Generator	Rohde&Schwarz	SMR40	834128/0028	May 01, 07	May 31, 08
7	Spectrum Analyzer	Advantest	R3182	111100429	Mar. 29, 07	Mar. 31, 08
8	Highpass Filter	Anritsu	MP526B	6200220636	Aug. 01, 06	Aug. 31, 07
9	DC Power Supply	Daiwa	PS-3020	None	None	None
10	Digital Multi Meter	Sanwa	CD721	3215593	May 18, 07	May 31, 08

### Measuring Cables

No.	Cable	Manufacturer	Model No.	Serial No.	Cal Date	Cal Exp.
W2	Coaxial Cable	Pacific custom	RG-58 C/U	AM90C02	Aug. 01, 06	Aug. 31, 07
W3	Coaxial Cable	Suhner	SUCOFLEX100	KSR00091	Oct. 01, 06	Oct. 31, 07
W4	Coaxial Cable	Pacific custom	RG-58 C/U	AM90C03	Aug. 01, 06	Aug. 31, 07
W5	Balance Cable	Nicoon	3D-2V	KSR00092	Oct. 01, 06	Oct. 31, 07

**Measuring Equipment Configuration**



**Uncertainty**

Measurement uncertainty is +/- 1.5 dB (k = 2)

**Test Results**

Measured for the worst case

State : High Power / Authorized Bandwidth 6 kHz

No.	Band	Frequency (MHz)	Correct Level (dBm)	Emission Level (dBc)	Limit (dBc)	Margin (dB)
1	Low (CFR)	300.10	-43.17	-87.94	-65.0	22.9
2	Middle (CFR)	324.10	-	-	-65.0	-
3	High (CFR/RSS)	347.90	-39.34	-84.11	-65.0	19.1
4	Low (RSS)	276.10	-36.54	-81.31	-65.0	16.3
5	Middle (RSS)	312.10	-	-	-65.0	-

There is the margin of 20dB over except for the above points.

State : Low Power / Authorized Bandwidth 6 kHz

No.	Band	Frequency (MHz)	Correct Level (dBm)	Emission Level (dBc)	Limit (dBc)	Margin (dB)
1	Low (CFR)	450.15	-38.29	-68.29	-55.0	13.3
2	Middle (CFR)	324.10	-	-	-55.0	-
3	High (CFR/RSS)	347.90	-40.34	-70.34	-55.0	15.3
4	Low (RSS)	276.10	-38.46	-68.46	-55.0	13.5
5	Middle (RSS)	312.10	-	-	-55.0	-

There is the margin of 20dB over except for the above points.

Mask E Limit (dBc) = whichever is the lesser attenuation ;  $-(55+10\log(P))$  or -65

Correct Level (dBm) = Substitute SG Level (dBm)

Emission Level (dBc) = Correct Level (dBm) -  $10\log(P*1000)$ 

P = Carrier Level (W)

" - " = Measurement Limit

### 5.3 Field Strength of Spurious Radiation

REGULATIONS	: 47 CFR 2.1053 (a), 90.210 / RSS-119 Section 5.8
TEST METHOD/GUIDE	: ANSI/TIA-603-C Section 2.2.12.2 / RSS-119 Section 4.2, RSS-Gen Section 4.9

#### Test Procedure

- 1 The EUT and test equipment were set up as shown on the following page.
- 2 Adjust the spectrum analyzer for the following setting:
  - a) RBW : 10 kHz (< 1 GHz), 1 MHz (> 1 GHz).
  - b) VBW : 300 kHz (< 1 GHz), 3 MHz (> 1 GHz).
  - c) Sweep Speed : 50ms.
  - d) Detector mode : Positive Peak
- 3 The transmitter was placed on a wooden turntable, and it was transmitting into non-radiating load which was also placed on the turntable.
- 4 The measurement antenna was placed at a distance of 3 meters from the EUT.  
 During the tests, the antenna height and polarization as well as EUT azimuth were varied in order to identify the maximum level of emissions from the EUT.  
 The test was performed by placing the EUT on 3-orthogonal axis.
- 5 The frequency range up to tenth harmonic of the fundamental frequency was investigated.
- 6 Remove the EUT and replace it with substitution antenna. A signal generator was connected to the substitution antenna by a non-radiating cable.  
 The absolute levels of the spurious emissions were measured by the substitution.
- 7 Spurious emissions in dB = 10 Log (TX power in Watts/0.001) – the absolute level

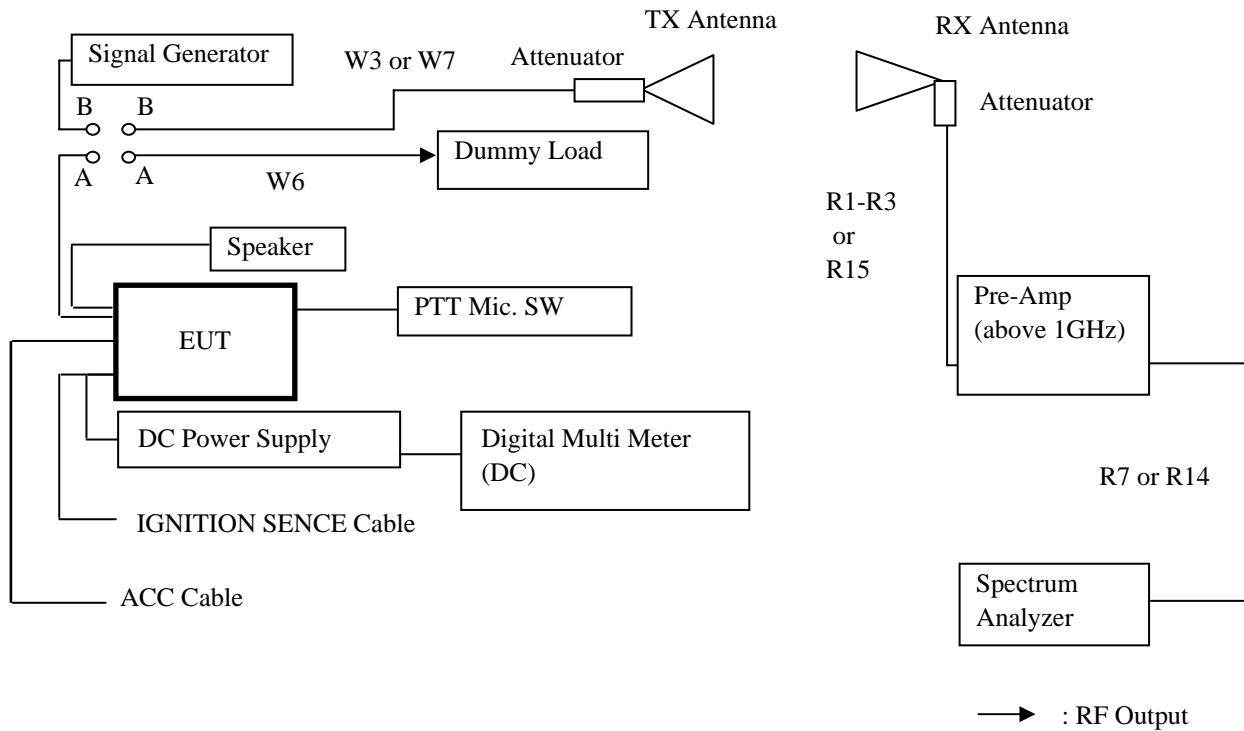
#### Measuring Equipments

No.	Equipment	Manufacture	Model No.	Serial No.	Cal Date	Cal Exp.
1	Dipole Antenna(TX)	Schwarzbeck	VHA9103	C01082007	Apr. 05, 07	Apr. 30, 08
2	Dipole Antenna(TX)	Schwarzbeck	UHA9105	AM0082002	Apr. 05, 07	Apr. 30, 08
3	D.R.G Antenna(TX)	Schwarzbeck	3115	5045	Jun. 21, 07	Jun. 30, 08
4	Tri-log Antenna(RX)	Schwarzbeck	VULB9168	106	Aug. 29, 06	Aug. 31, 07
5	D.R.G Antenna(RX)	Schwarzbeck	3115	5044	Jun. 21, 07	Jun. 30, 08
6	Pre-Amplifier	Hewlett Packard	83051A	3332A00329	Sep. 27, 06	Sep. 30, 07
7	Step Attenuator	Hewlett Packard	8494B	2726A14513	Jan. 15, 07	Jan. 31, 08
8	Attenuator(6dB)	Anritsu	MP721B	M57593	Jan. 15, 07	Jan. 31, 08
9	Attenuator(3dB)	Narda	4768-3	79	Sep. 27, 06	Sep. 30, 07
10	Attenuator(10dB)	HUBER+SUHNER	6810.17B	KSR0044	Aug. 01, 06	Aug. 31, 07
11	Spectrum Analyzer	Hewlett Packard	8564E	3643A00665	Dec. 25, 06	Dec. 31, 07
12	Signal Generator	Hewlett Packard	8657B	3247U03266	Dec. 25, 06	Dec. 31, 07
13	Signal Generator	Rohde&Schwarz	SMR40	834128/0028	May 01, 07	May 31, 08
14	Dummy Load	TME	CT-150NP	1138693	Aug. 01, 06	Aug. 31, 07
15	Digital Multi Meter	Sanwa	CD721	3215593	May 18, 07	May 31, 08
16	DC Power Supply	Daiwa	PS-3020	None	None	None

**Measuring Cables**

No.	Cable	Manufacturer	Model No.	Serial No.	Cal Date	Cal Exp.
W3	Coaxial Cable	Suhner	SUCOFLEX100	KSR00046	Aug. 01, 06	Aug. 31, 07
W6	Coaxial Cable	ETL SEMKO	5D-2W	KSR00098	Oct. 01, 06	Oct. 31, 07
W7	Coaxial Cable	Radiall	R286401332	KSR00048	Aug. 01, 06	Aug. 31, 07
R1	Coaxial Cable	ETL SEMKO	5D-2W	None	Jan. 15, 07	Jan. 31, 08
R2	Coaxial Cable	ETL SEMKO	10D-2W	None	Jan. 15, 07	Jan. 31, 08
R3	Coaxial Cable	ETL SEMKO	5D-2W	None	Jan. 15, 07	Jan. 31, 08
R7	Coaxial Cable	ETL SEMKO	5D-2W	None	Jan. 15, 07	Jan. 31, 08
R14	Coaxial Cable	Suhner	SUCOFLEX102	712/2	Sep. 27, 06	Sep. 30, 07
R15	Coaxial Cable	Insulated Wire	KSP-1501-1969- KPS	03292003	Sep. 27, 06	Sep. 30, 07

**Measuring Equipment Configuration**



**Uncertainty**

Measurement uncertainty is +/- 4.8dB (k = 2)

**Test Results**

Test carried out for all the frequency band of section 5.1

Measured for the worst case

State : High Power / Authorized Bandwidth 6 kHz / 150.05 MHz

No	Frequency (MHz)	Pol	Reading	SG Out		Antenna Gain (dBi)	Correct Level (dBm)	Emission Level (dBc)	Limit Level (dBc)	Margin (dB)
			Level (dBm)	Level (dBm)	Loss (dB)					
1	300.10	Hor.	-76.00	-34.90	11.38	2.15	-44.1	-88.9	-65.0	23.9
		Ver.	-82.00	-36.80	11.38	2.15	-46.0	-90.8	-65.0	25.8
2	450.15	Hor.	-84.80	-41.20	11.66	2.15	-50.7	-95.5	-65.0	30.5
		Ver.	-86.80	-39.00	11.66	2.15	-48.5	-93.3	-65.0	28.3
3	600.20	Hor.	-74.80	-27.10	11.94	2.15	-36.9	-81.7	-65.0	16.7
		Ver.	-75.30	-27.00	11.94	2.15	-36.8	-81.6	-65.0	16.6
4	750.25	Hor.	-94.50	-50.00	12.18	2.15	-60.0	-104.8	-65.0	39.8
		Ver.	-93.50	-50.00	12.18	2.15	-60.0	-104.8	-65.0	39.8
5	900.30	Hor.	-92.00	-46.30	12.39	2.15	-56.5	-101.3	-65.0	36.3
		Ver.	-89.30	-36.50	12.39	2.15	-46.7	-91.5	-65.0	26.5
6	1050.35	Hor.	-70.00	-54.60	11.58	6.13	-60.0	-104.8	-65.0	39.8
		Ver.	-	-	11.58	6.13	-	-	-65.0	-
7	1200.40	Hor.	-70.00	-54.40	11.72	6.89	-59.2	-104.0	-65.0	39.0
		Ver.	-	-	11.72	6.89	-	-	-65.0	-
8	1350.45	Hor.	-	-	11.83	7.62	-	-	-65.0	-
		Ver.	-	-	11.83	7.62	-	-	-65.0	-
9	1500.50	Hor.	-	-	11.93	8.53	-	-	-65.0	-
		Ver.	-	-	11.93	8.53	-	-	-65.0	-

There is the margin of 20dB over except for the above points.

Mask E Limit (dBc) = whichever is the lesser attenuation ;  $-(55+10\log(P))$  or  $-65$ 

Correct Level (dBm) = Substitute SG Level (dBm) + ANT Gain (dBi) - Loss (Cable, Attenuator) (dB)

Emission Level (dBc) = Correct Level (dBm) -  $10\log(P*1000)$ 

P = Carrier Level (W)

" - " = Measurement Limit



State : Low Power / Authorized Bandwidth 6 kHz / 150.05 MHz

No	Frequency (MHz)	Pol	Reading	SG Out	Loss (dB)	Antenna	Correct Level (dBm)	Emission Level (dBc)	Limit Level (dBc)	Margin (dB)
			Level (dBm)	Level (dBm)		Gain (dBi)				
1	300.10	Hor.	-79.30	-38.20	11.38	2.15	-47.4	-77.4	-55.0	22.4
		Ver.	-79.40	-34.20	11.38	2.15	-43.4	-73.4	-55.0	18.4
2	450.15	Hor.	-94.00	-50.40	11.66	2.15	-59.9	-89.9	-55.0	34.9
		Ver.	-93.20	-45.40	11.66	2.15	-54.9	-84.9	-55.0	29.9
3	600.20	Hor.	-94.00	-46.30	11.94	2.15	-56.1	-86.1	-55.0	31.1
		Ver.	-90.60	-42.30	11.94	2.15	-52.1	-82.1	-55.0	27.1
4	750.25	Hor.	-	-	12.18	2.15	-	-	-	-
		Ver.	-94.20	-50.70	12.18	2.15	-60.7	-90.7	-55.0	35.7
5	900.30	Hor.	-	-	12.39	2.15	-	-	-	-
		Ver.	-	-	12.39	2.15	-	-	-	-
6	1050.35	Hor.	-	-	11.58	6.13	-	-	-	-
		Ver.	-	-	11.58	6.13	-	-	-	-
7	1200.40	Hor.	-	-	11.72	6.89	-	-	-	-
		Ver.	-	-	11.72	6.89	-	-	-	-
8	1350.45	Hor.	-	-	11.83	7.62	-	-	-	-
		Ver.	-	-	11.83	7.62	-	-	-	-
9	1500.50	Hor.	-	-	11.93	8.53	-	-	-	-
		Ver.	-	-	11.93	8.53	-	-	-	-

There is the margin of 20dB over except for the above points.

Mask E Limit (dBc) = whichever is the lesser attenuation ;  $-(55+10\log(P))$  or  $-65$

Correct Level (dBm) = Substitute SG Level (dBm) + ANT Gain (dBi) - Loss (Cable, Attenuator) (dB)

Emission Level (dBc) = Correct Level (dBm) -  $10\log(P*1000)$

P = Carrier Level (W)

" - " = Measurement Limit

**5.4 Emission Masks (Occupied Bandwidth)**

REGULATIONS : 47 CFR 2.1049 (c) (1), 22.359, 357 (a) (1) , 74.1236 , 90.210 / RSS-119 Section 5.8

TEST METHOD/GUIDE : ANSI/TIA-603-C Section 2.2.11.2 / RSS-119 Section 4.2.1, 4.2.2

**Test Procedure**

- 1 The EUT and test equipment were set up as shown on the following page.
- 2 For EUT supporting audio modulation, the audio signal generator was adjusted to the frequency of maximum response and with output level set for +/- 2.5 kHz or +/- 1.25 kHz deviation (or 50 % modulation).
- 3 With level constant, the signal level was increased 16 dB.  
For EUT supporting digital modulation, the digital modulation mode was operated to its maximum extent.
- 4 Adjust the spectrum analyzer for the following setting:
  - a) RBW : 100 Hz (Non modulation and Authorized Band 11.25 kHz), 300Hz (Authorized Band 20 kHz).
  - b) VBW : 100Hz (Non modulation and Authorized Band 11.25 kHz), 300 Hz (Authorized Band 20 kHz).
  - c) RBW and VBW : 30 kHz (Non Modulation of Authorized Band 6 kHz).
  - d) Sweep Speed : 8 sec.
  - e) Sampling Time : 10 times
- 5 The occupied Bandwidth was measured with the Spectrum Analyzer controls set as shown on the test results.

**Measuring Equipments**

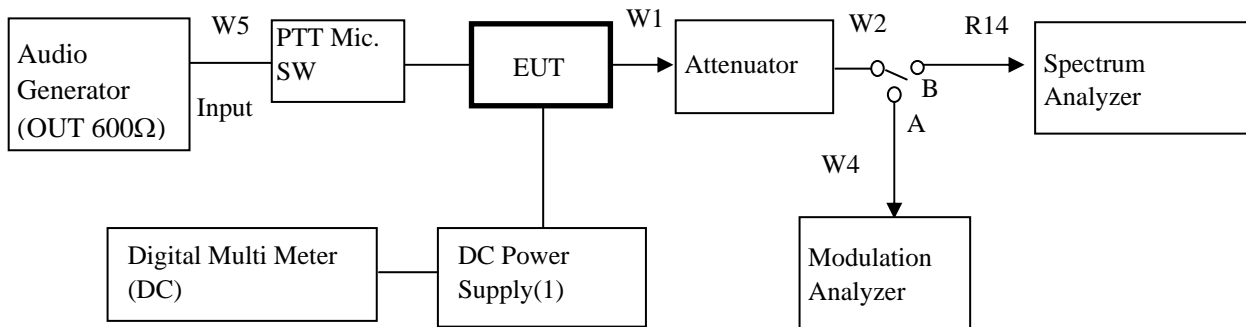
No.	Equipment	Manufacture	Model No.	Serial No.	Cal Date	Cal Exp.
1	Audio Generator	Anritsu	MG443B	M70150	Aug. 15, 06	Aug. 31, 07
2	Attenuator (20dB)	Weinschel	40-20-34	AA5761	Jun. 15, 06	Jun. 30, 07
3	Attenuator (30dB)	Weinschel	WA-29-30-34	8923	Jun. 15, 06	Jun. 30, 07
4	Modulation Analyzer	Hewlett Packard	8901B	2806A01669	Mar. 21, 07	Mar. 31, 08
5	Spectrum Analyzer	Hewlett Packard	8564E	3643A00665	Apr. 06, 07	Apr. 30, 08
6	Modem Evaluation Kit	Consumer Microcircuits	EV9000	None	None	None
7	DC Power Supply(1)	Daiwa	PS-3020	None	None	None
8	DC Power Supply(2)	Kenwood	PW18-1.8Q	None	None	None
9	Digital Multi Meter	Sanwa	CD721	3215593	May 18, 07	May 31, 08

**Measuring Cables**

No.	Cable	Manufacture	Model No.	Serial No.	Cal Date	Cal Exp.
W1	Coaxial Cable	Suhner	SUCOFLEX102	KSR00046	Aug. 01, 06	Aug. 31, 07
W2	Coaxial Cable	Pacific custom	RG-58 C/U	AM90C02	Aug. 01, 06	Aug. 31, 07
W4	Coaxial Cable	Pacific custom	RG-58 C/U	AM90C03	Aug. 01, 06	Aug. 01, 06
W5	Balance Cable	Nicoon	3D-2V	KSR00092	Oct. 01, 06	Aug. 02, 06
R14	Coaxial Cable	Suhner	SUCOFLEX102	712/2	Sep. 27, 05	Sep. 30, 06

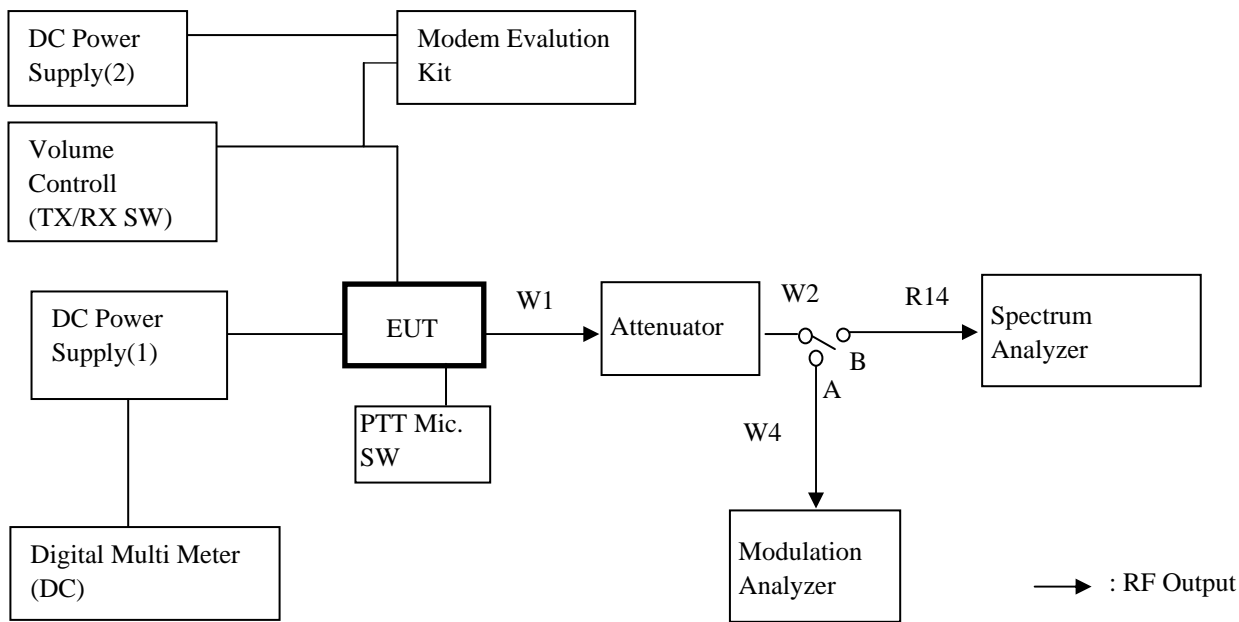
**Measuring Equipment Configuration**

**<FM Modulation Case>**



Note: Configuration of other Modulation(C4FM and CWID) test is composed without the Audio Generator.

**<GMSK and 4Level FSK Modulation Case>**



**Uncertainty**

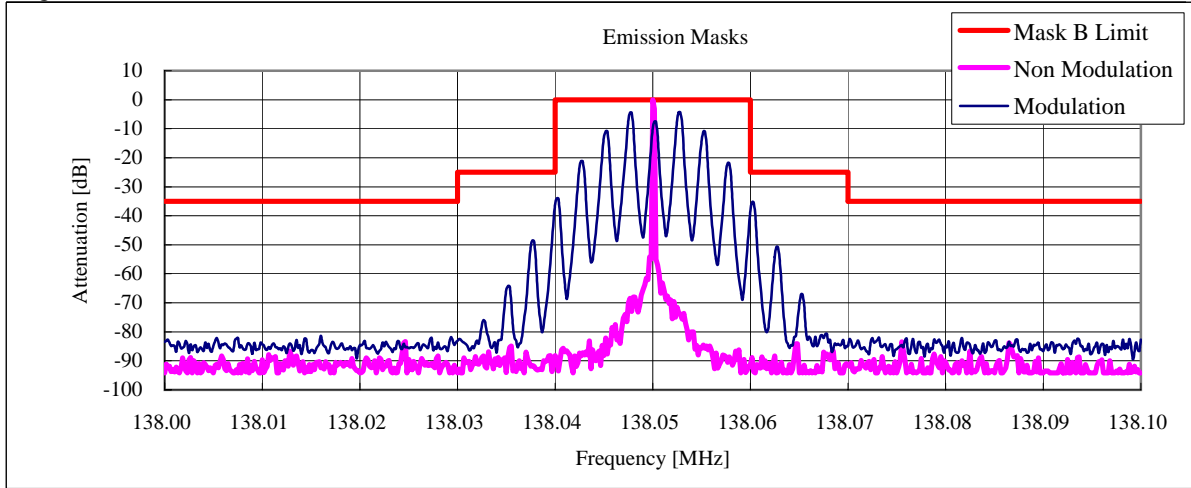
Measurement uncertainty is +/- 1.0dB (k = 2)

### Test Results

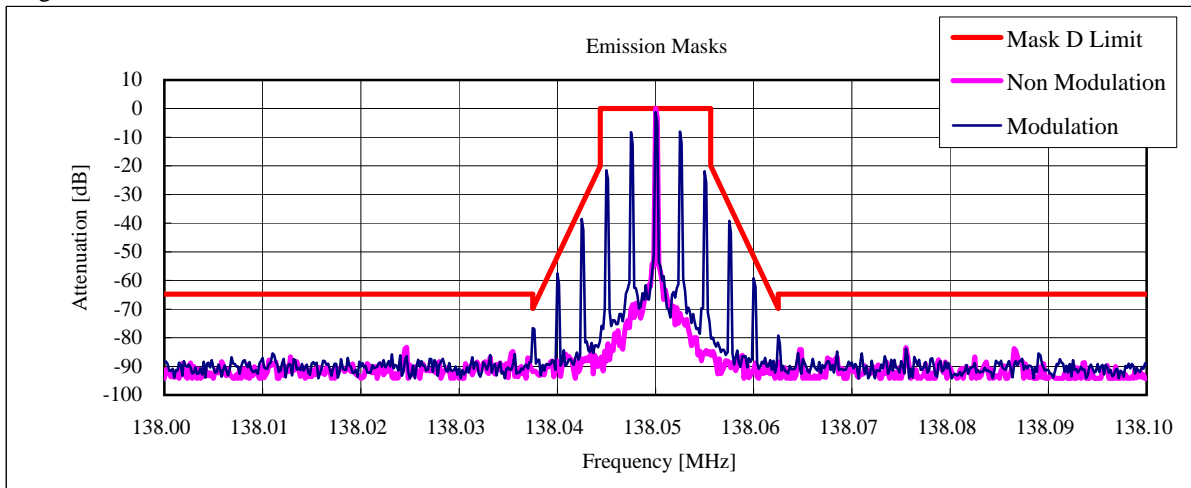
Test carried out for all the frequency band of section 5.1

Measured for the worst case

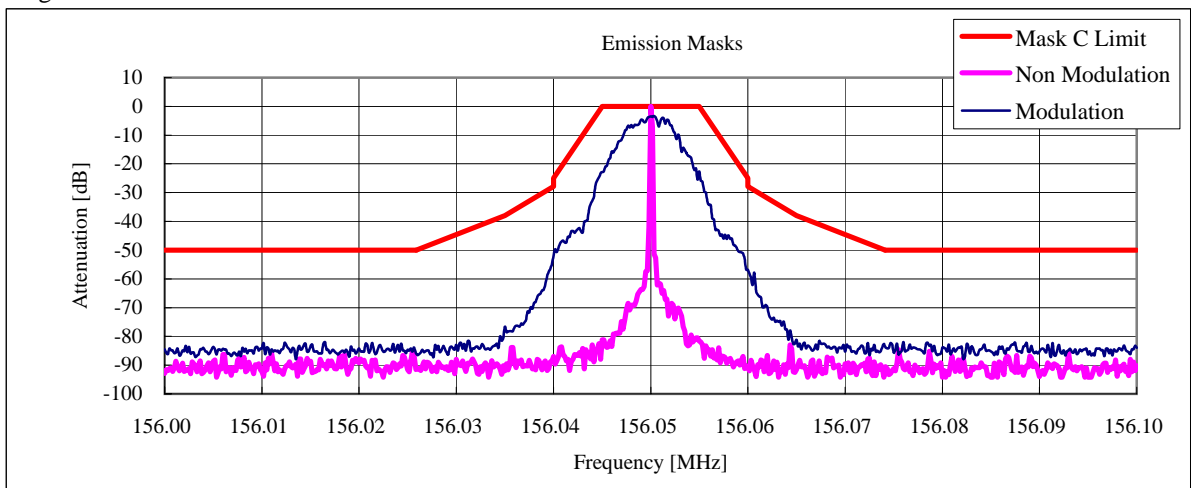
State : High Power / Authorized Bandwidth 20 kHz:FM / 138.05 MHz



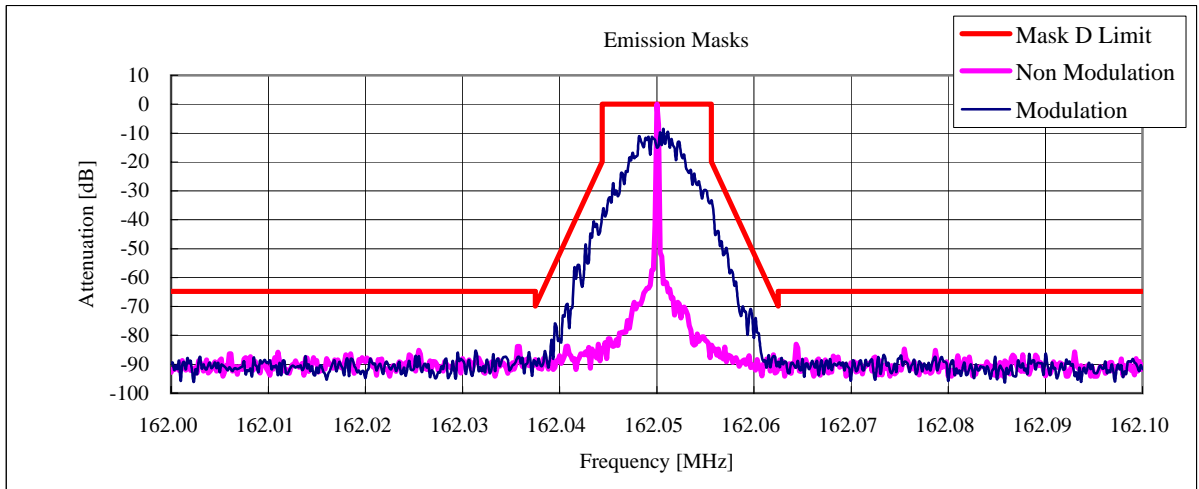
State : High Power / Authorized Bandwidth 11.25 kHz:FM / 138.05 MHz



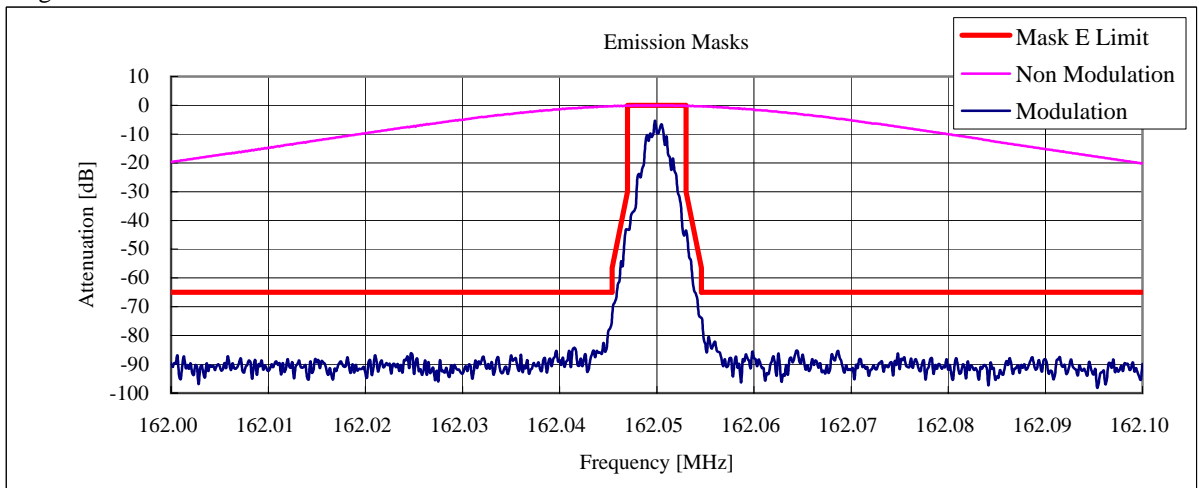
State : High Power / Authorized Bandwidth 20 kHz:GMSK / 156.05 MHz



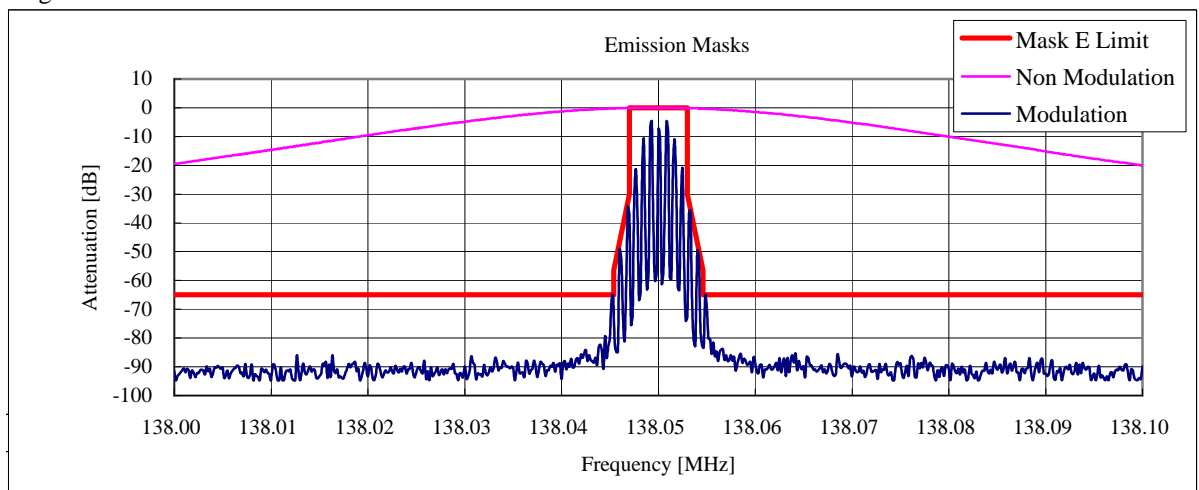
State : High Power / Authorized Bandwidth 11.25 kHz:4Level FSK / 162.05 MHz



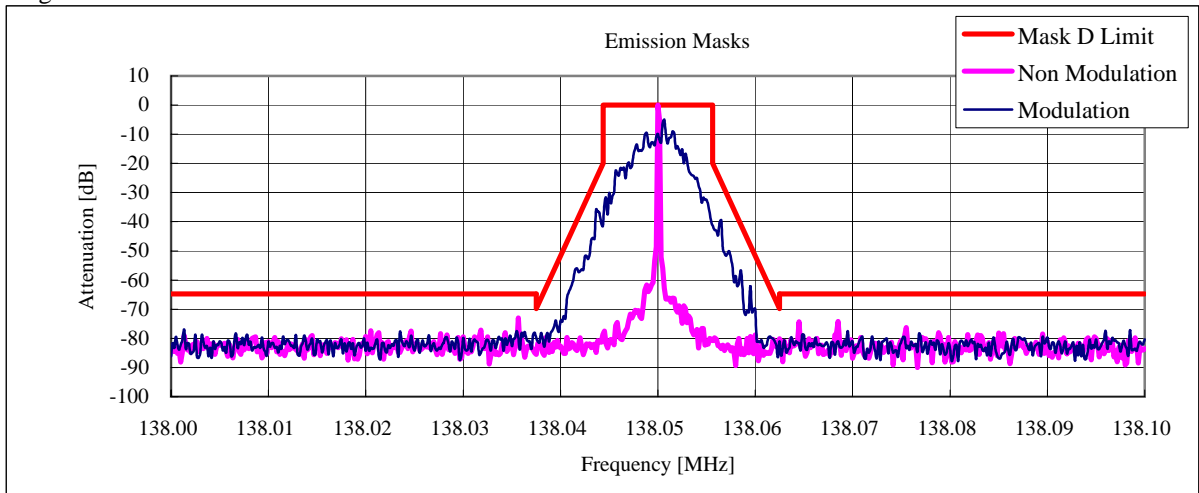
State : High Power / Authorized Bandwidth 6 kHz:4Level FSK / 162.05 MHz



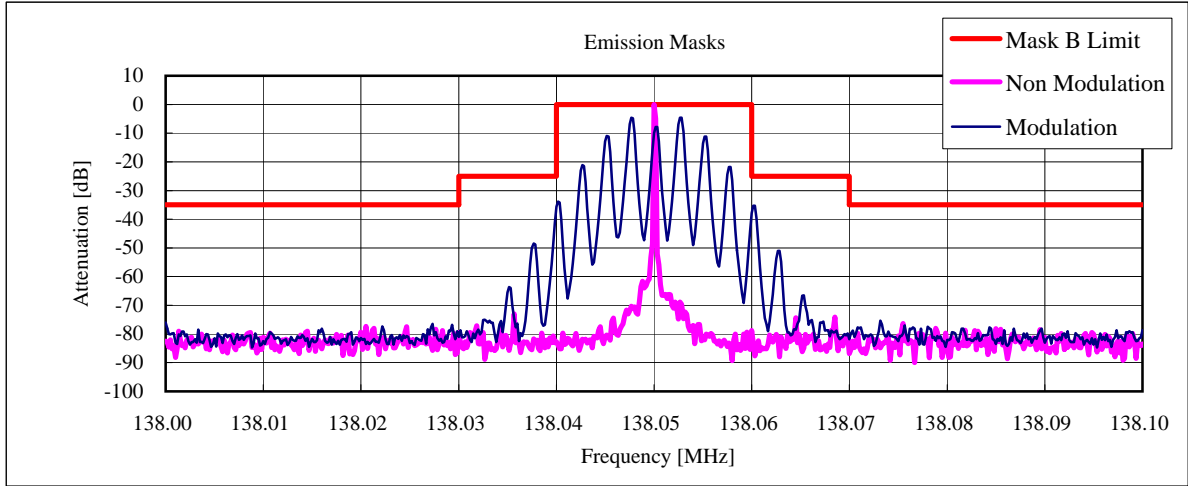
State : High Power / Authorized Bandwidth 6 kHz:CWID / 138.05 MHz



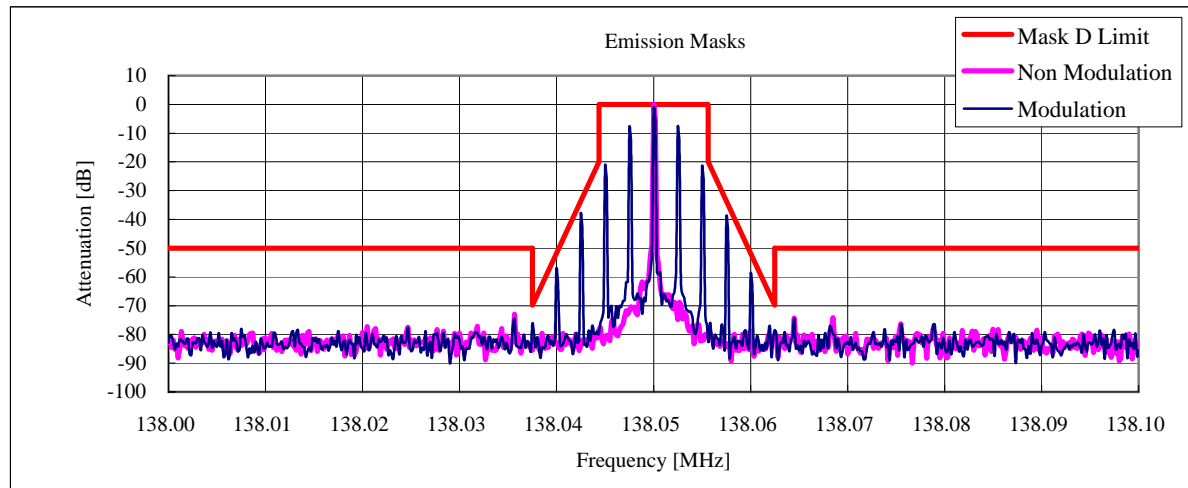
State : High Power / Authorized Bandwidth 11.25 kHz:C4FM / 138.05 MHz



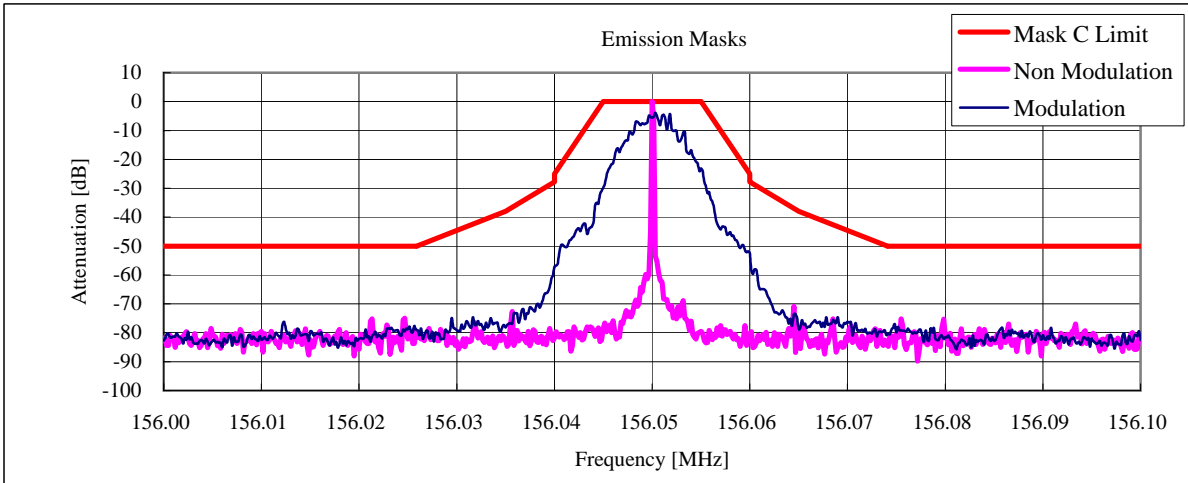
State : Low Power / Authorized Bandwidth 20 kHz:FM / 138.05 MHz



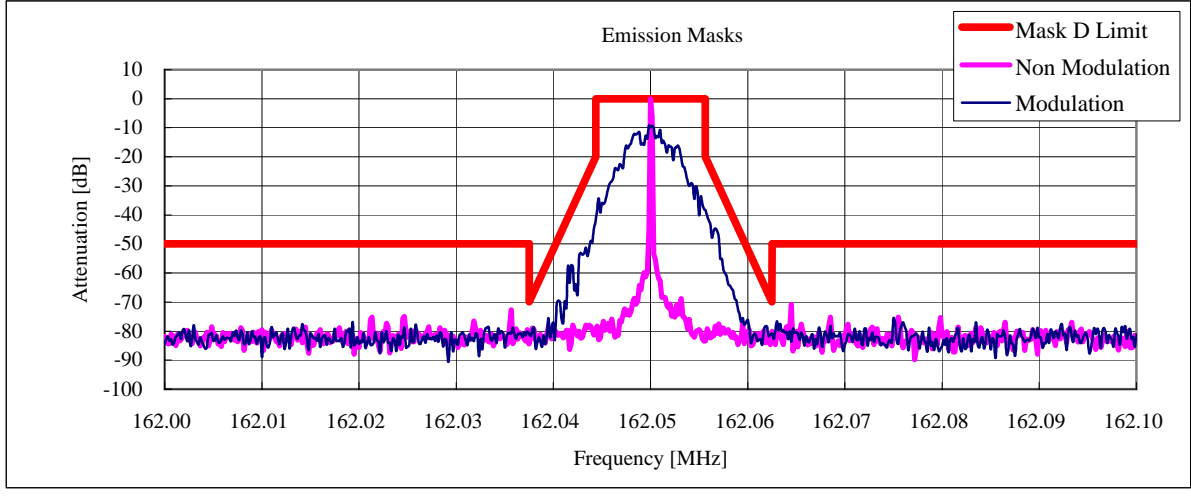
State : Low Power / Authorized Bandwidth 11.25 kHz:FM / 138.05 MHz



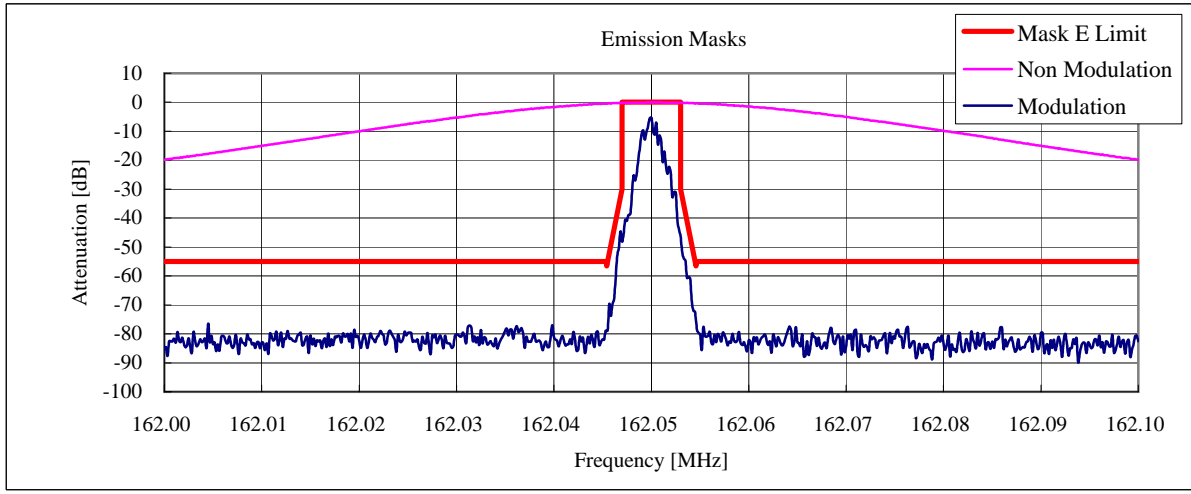
Low Power / Authorized Bandwidth 20 kHz:GMSK / 156.05 MHz



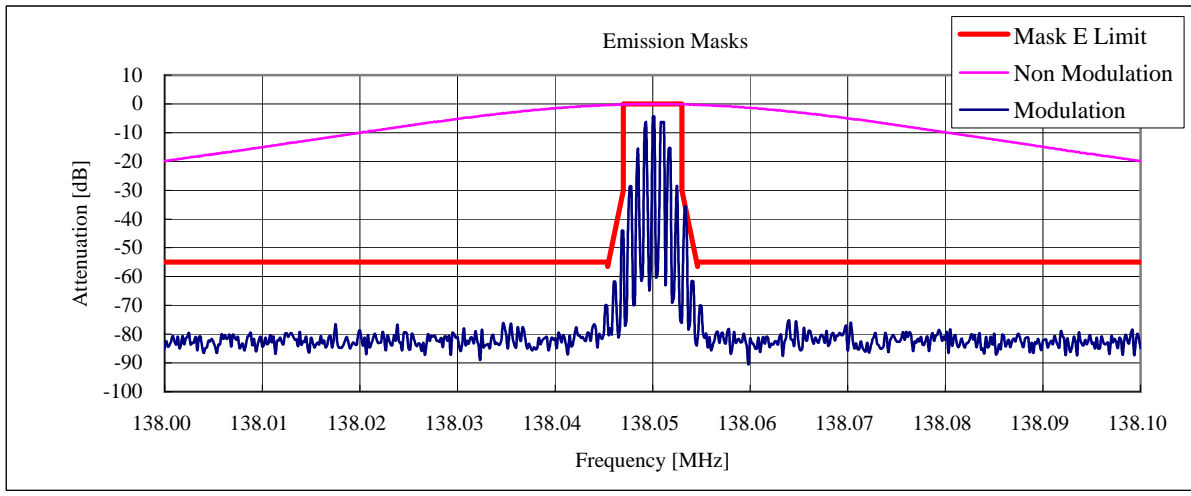
State : Low Power / Authorized Bandwidth 11.25 kHz:4 Level FSK / 162.05 MHz



State : Low Power / Authorized Bandwidth 6 kHz:4Level FSK / 162.05 MHz

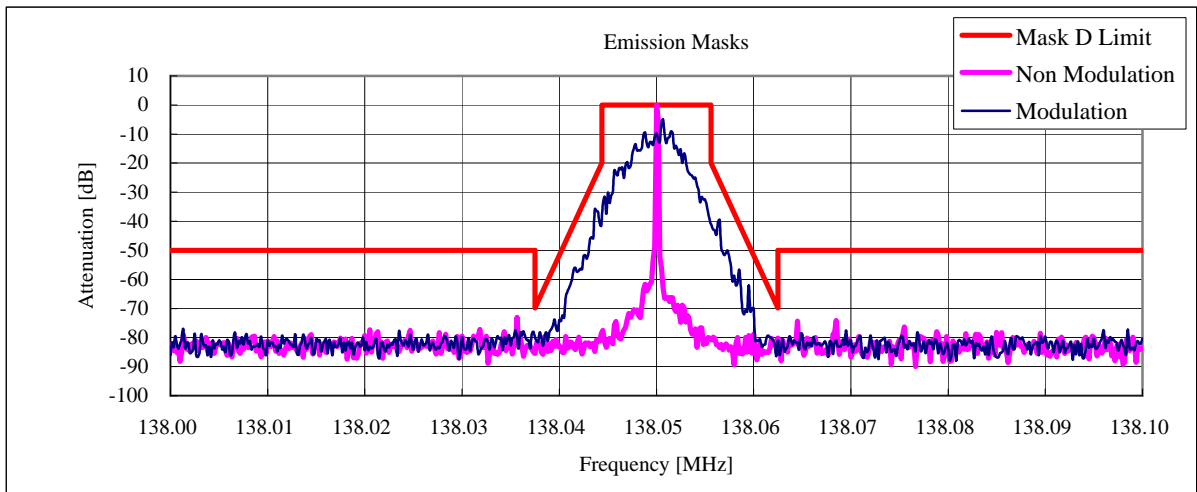


State : Low Power / Authorized Bandwidth 6 kHz:CWID / 138.05 MHz





State : Low Power / Authorized Bandwidth 11.25 kHz:C4FM / 138.05 MHz



## 5.5 Transient Frequency Behavior

REGULATIONS	: 47 CFR 90.214 / RSS-119 Section 5.9
TEST METHOD/GUIDE	: ANSI/TIA-603-C Section 2.2.19.3

### Test Procedure

- 1 The EUT and test equipment were set up as shown on the following page.
- 2 The transmitter was turned on.
- 3 Sufficient attenuation was provided so that the transmitter carrier level measured at the output of the combiner was 40 dB below the maximum input level of the test receiver.  
This level was recorded as step f.
- 4 The transmitter was turned off.
- 5 An RF signal generator (1) modulated with a 1 kHz tone at either 25 kHz or 12.5 kHz or 6.25 kHz deviation, and set to the same frequency as the assigned transmitter frequency, (2) was adjusted to a level -20 dB below the level recorded for step f, as measured at the output of the combiner.  
This level was then fixed for the remainder of the test and is recorded at step h.
- 6 The oscilloscope was setup using TIA-603C steps j and k as a guide, and to 10 msec./div.
- 7 The transmitter was turned on, and the level of the carrier at the output of the combiner was recorded as step l.
- 8 The carrier on-time as referenced in TIA-603-C steps m, n, and o was captured and plotted.
- 9 The carrier off-time as referenced in TIA-603-C steps p, q, r, and s was captured and plotted.

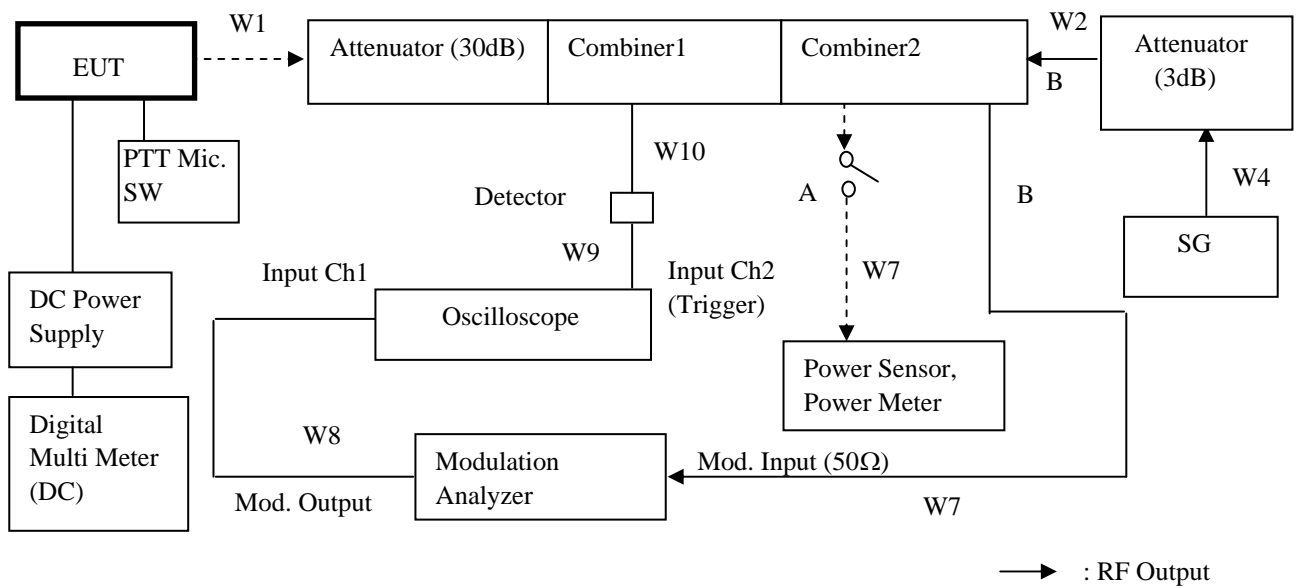
### Measuring Equipments

No.	Equipment	Manufacture	Model No.	Serial No.	Cal Date	Cal Exp.
1	Signal Generator	Hewlett Packard	8657B	3247U03266	Dec. 25, 06	Dec. 31, 07
2	Oscilloscope	Tektronix	TDS 680B	B010205	Jun. 07, 07	Jun. 30, 08
3	Power Meter	Hewlett Packard	E4418B	GB38410265	Feb. 02, 07	Feb. 29, 08
4	Power Sensor	Hewlett Packard	8482A	US37292237	May 26, 06	May 31, 07
5	Attenuator (30dB)	Weinschel	WA-29-30-34	8923	Jun. 15, 06	Jun. 30, 07
6	Modulation Analyzer	Hewlett Packard	8901B	2806A01669	Mar. 21, 07	Mar. 31, 08
7	Combiner(1)	Anritsu	Z-164A	M89549	Aug. 01, 06	Aug. 31, 07
8	Combiner(2)	Anritsu	Z-164A	M89249	Aug. 01, 06	Aug. 31, 07
9	Attenuator (3dB)	TME	CFA-20NPJ-3	679701	Aug. 01, 06	Aug. 31, 07
10	DC Power Supply	Daiwa	PS-3020	None	None	None
11	Digital Multi Meter	Sanwa	CD721	3215593	May 18, 07	May 31, 08

**Measuring Cables**

No.	Cable	Manufacture	Model No.	Serial No.	Cal Date	Cal Exp.
W1	Coaxial Cable	Suhner	SUCOFLEX102	KSR00046	Aug. 01, 06	Aug. 31, 07
W2	Coaxial Cable	Pacific custom	RG-58 C/U	AM90C02	Aug. 01, 06	Aug. 31, 07
W4	Coaxial Cable	Pacific custom	RG-58 C/U	AM90C03	Aug. 01, 06	Aug. 31, 07
W7	Coaxial Cable	Pacific custom	RG-58 C/U	AM90C04	Aug. 01, 06	Aug. 31, 07
W8	Coaxial Cable	Pacific custom	RG-58 C/U	KSR00094	Oct. 01, 06	Oct. 31, 07
W9	Coaxial Cable	Pacific custom	RG-58 C/U	KSR00095	Oct. 01, 06	Oct. 31, 07
W10	Coaxial Cable	Pacific custom	RG-58 C/U	KSR00096	Oct. 01, 06	Oct. 31, 07

**Measuring Equipment Configuration**



**Uncertainty**

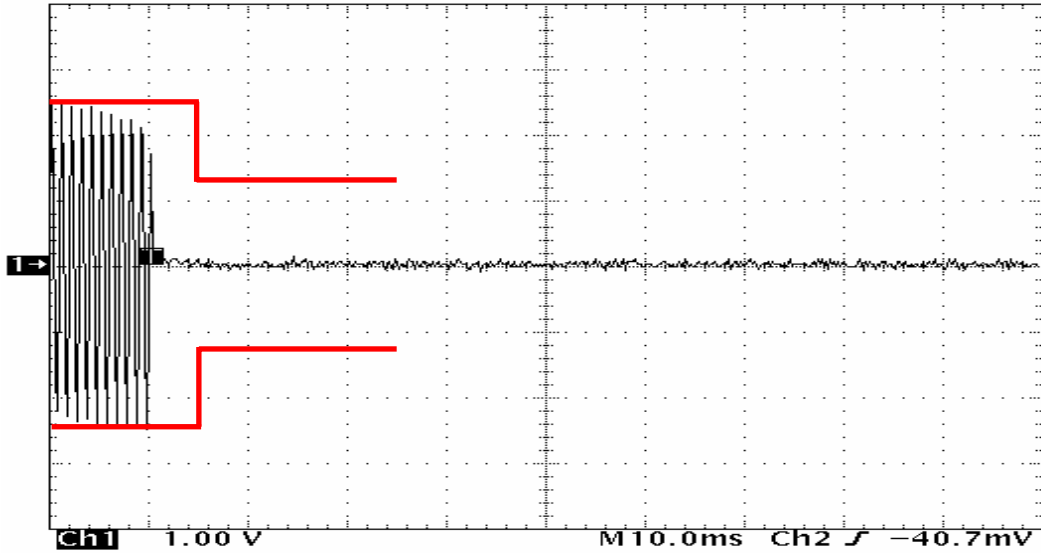
Measurement uncertainty is +/- 1.1dB (k = 2)

### Test Results

Test carried out for all the frequency band of section 5.1  
Measured for the worst case

State : High Power / Authorized Bandwidth 20 kHz / 156.05 MHz / PTT:OFF -ON

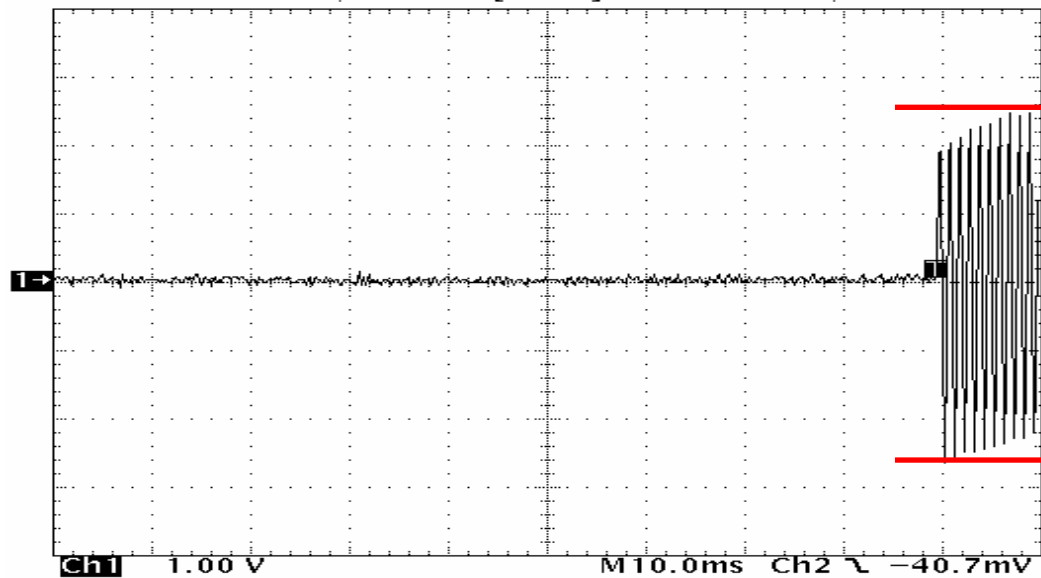
Tek Run: 5.00kS/s Sample Trig



18 Jun 2007  
11:43:30

State : High Power / Authorized Bandwidth 20 kHz / 156.05 MHz / PTT:ON -OFF

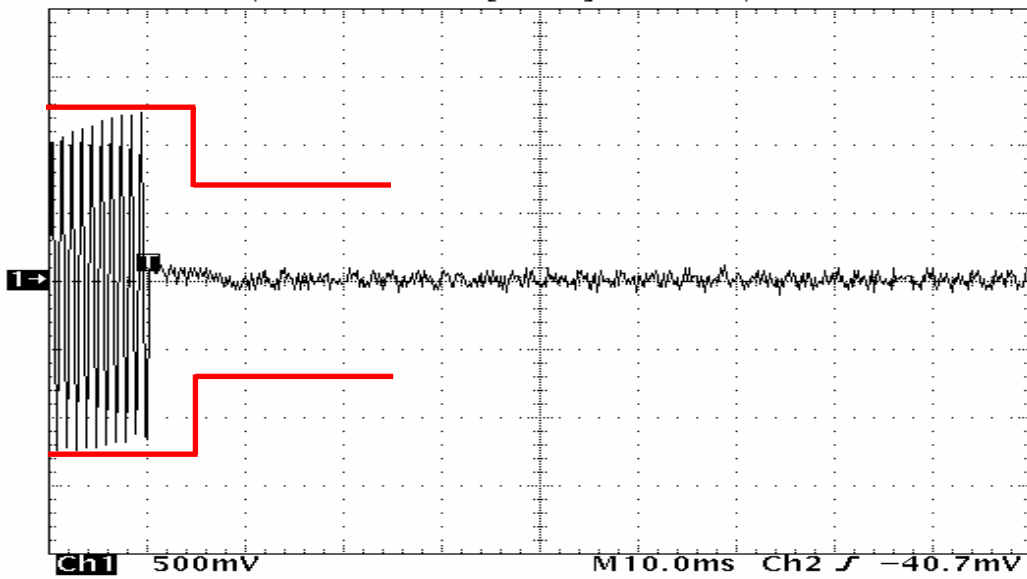
Tek Run: 5.00kS/s Sample Trig



18 Jun 2007  
11:54:48

State : High Power / Authorized Bandwidth 11.25 kHz / 156.05 MHz / PTT:OFF -ON

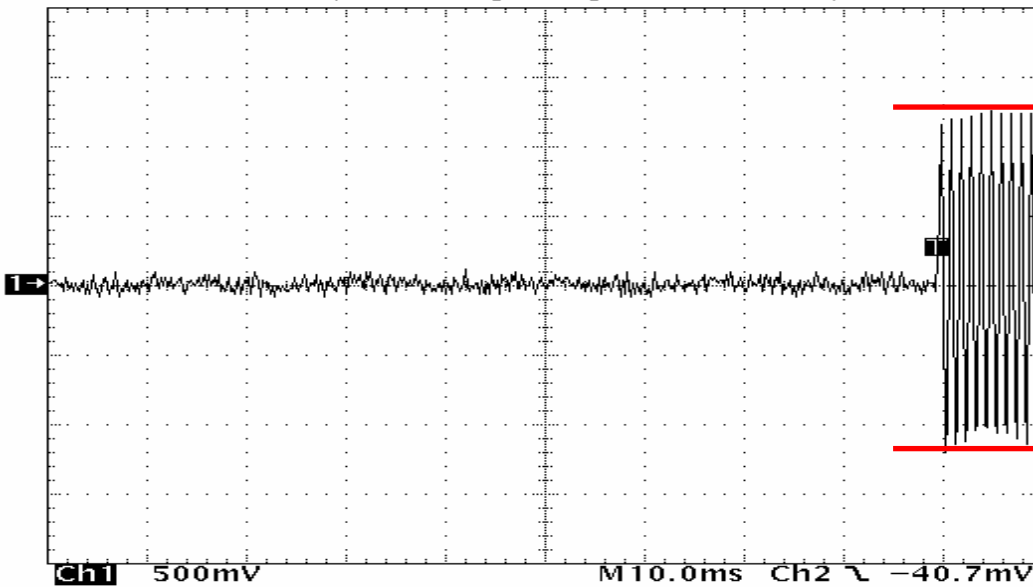
Tek Run: 5.00kS/s Sample [ 1199 ]



18 Jun 2007  
13:40:17

State : High Power / Authorized Bandwidth 11.25 kHz / 156.05 MHz / PTT:ON -OFF

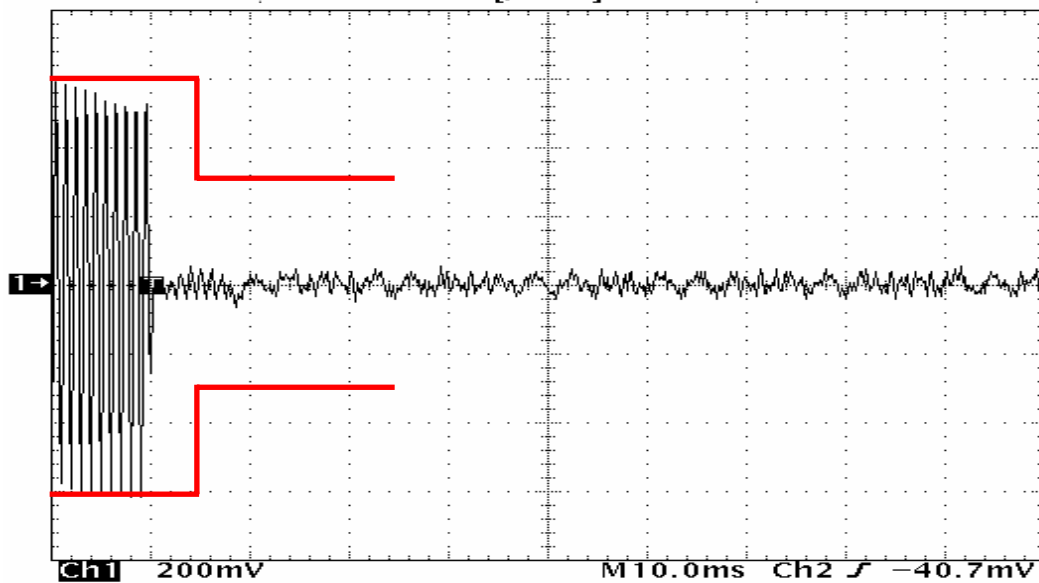
Tek Run: 5.00kS/s Sample [ 1199 ]



18 Jun 2007  
13:12:29

State : High Power / Authorized Bandwidth 6 kHz / 156.05 MHz / PTT:OFF -ON

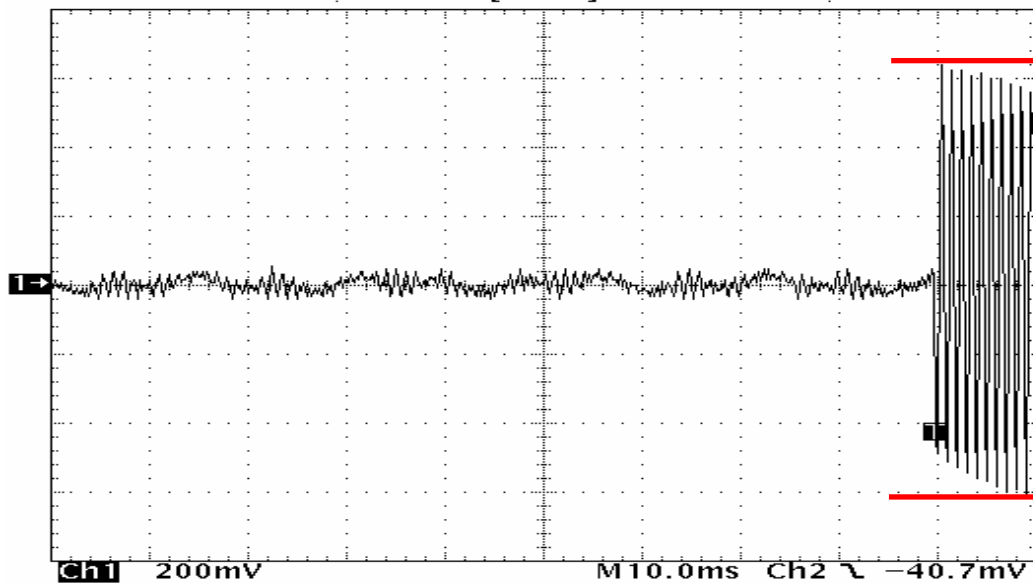
Tek Run: 5.00kS/s Sample **Trig**



18 Jun 2007  
13:53:53

State : High Power / Authorized Bandwidth 6 kHz / 156.05 MHz / PTT:ON -OFF

Tek Run: 5.00kS/s Sample **Trig**



18 Jun 2007  
14:04:32

**5.6 Audio Frequency Response / Audio Low Pass Filter (Voice Input)**

REGULATIONS	: 47 CFR 2.1047 (a)
TEST METHOD/GUIDE	: ANSI/TIA-603-C Section 2.2.6.2.2, 3.2.6.2

**Test Procedure**

- 1 The EUT and test equipment were set up as shown on the following page.
- 2 Adjust the Modulation Analyzer for the following setting:
  - a) High-pass filter : 50 Hz
  - b) Low-pass filter : 15 kHz
  - c) Detector : positive peak
  - d) Function : FM
- 3 The audio signal input was adjusted to obtain 20 % modulation at 1 kHz, and this point was taken as the 0 dB reference level.
- 4 With input levels held constant and below limiting at all frequencies, the audio signal generator was varied from 300 Hz to 5 kHz.
- 5 The response in dB relative to 1 kHz was then measured, using the Modulation Analyzer.

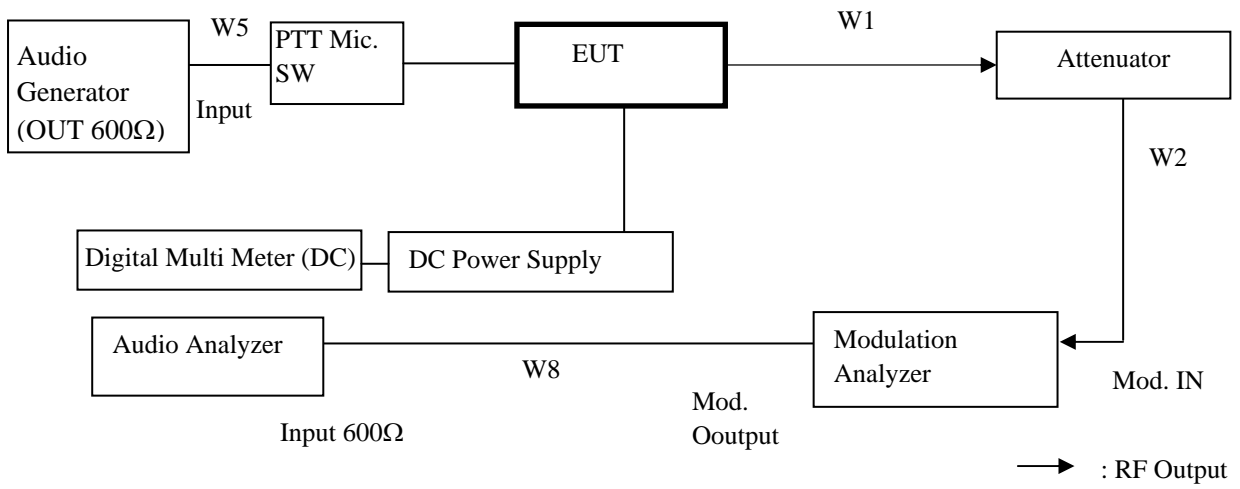
**Measuring Equipments**

No.	Equipment	Manufacture	Model No.	Serial No.	Cal Date	Cal Exp.
1	Audio Generator	Anritsu	MG443B	M70150	Aug. 25, 06	Aug. 31, 07
2	Audio Analyzer	Hewlett Packard	8903B	2948A07326	Apr. 25, 07	Apr. 30, 08
3	Attenuator (20dB)	Weinschel	40-20-34	AA5761	Jun. 15, 06	Jun. 30, 07
4	Attenuator (30dB)	Weinschel	WA-29-30-34	8923	Jun. 15, 06	Jun. 30, 07
5	Modulation Analyzer	Hewlett Packard	8901B	2806A01669	Mar. 21, 07	Mar. 31, 08
6	DC Power Supply	Daiwa	PS-3020	None	None	None
7	Digital Multi Meter	Sanwa	CD721	3215593	May 18, 07	May 31, 08

**Measuring Cables**

No.	Cable	Manufacture	Model No.	Serial No.	Cal Date	Cal Exp.
W1	Coaxial Cable	Suhner	SUCOFLEX102	KSR00046	Aug. 01, 06	Aug. 31, 07
W2	Coaxial Cable	Pacific custom	RG-58 C/U	AM90C02	Aug. 01, 06	Aug. 31, 07
W5	Balance Cable	Nicoon	3D-2V	KSR00092	Oct. 01, 06	Oct. 31, 07
W8	Coaxial Cable	Pacific custom	RG-58 C/U	KSR00094	Oct. 01, 06	Oct. 31, 07

### Measuring Equipment Configuration



### Uncertainty

Measurement uncertainty is +/- 0.3dB (k = 2)

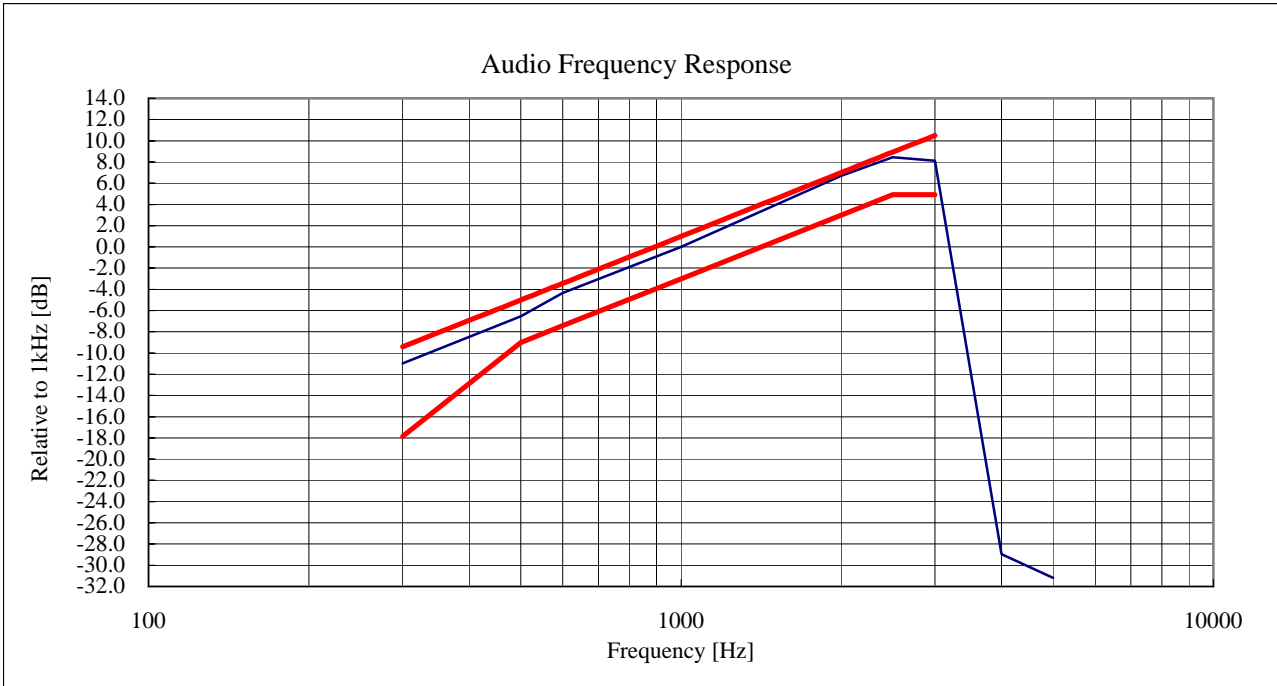


**Test Results**

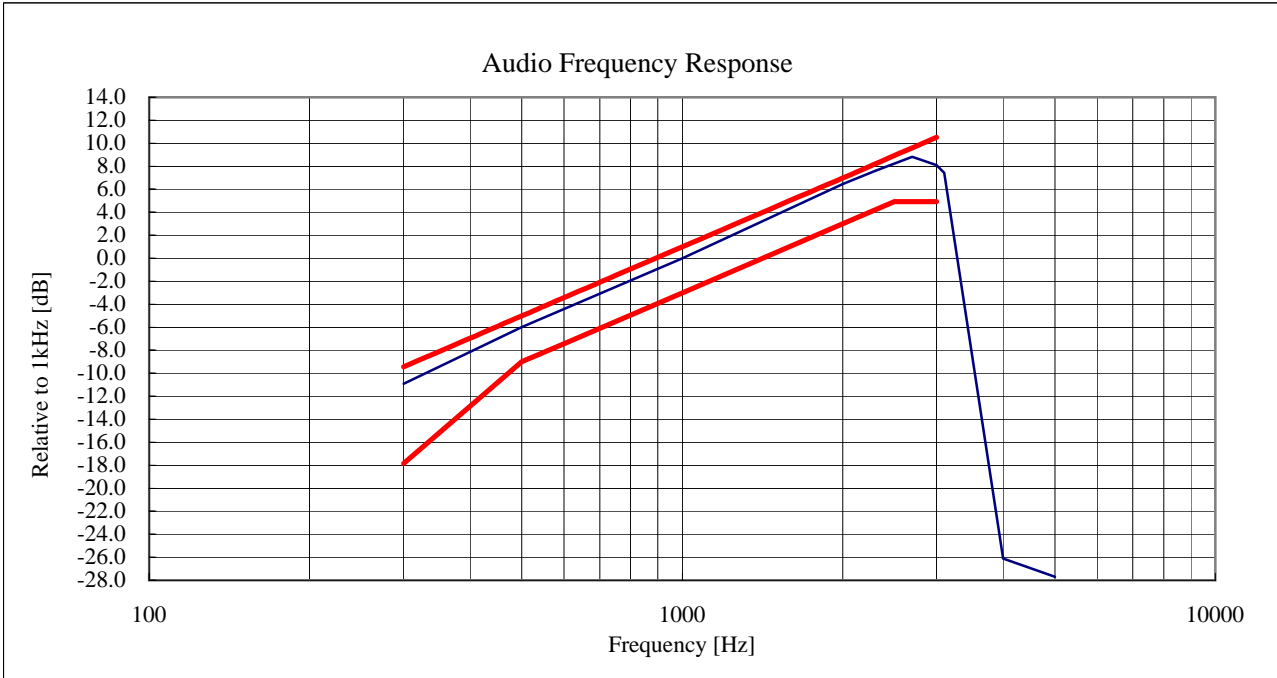
Test carried out for all the frequency band of section 5.1

Measured for the worst case

State : High Power / Authorized Bandwidth 20 kHz / 156.05 MHz



State : High Power / Authorized Bandwidth 11.25 kHz / 156.05 MHz



Note:

Audio Filter of the above result is substituted with the same structure as Audio Frequency Resonse.

On the transmission condition below 3kHz, Transceiver shows pre-emphasis condition of transmission function.

On the transmission condition above 3kHz, Transceiver shows Audio Low Pass Filter.

**5.7 Modulation Limiting**

REGULATIONS	: 47 CFR 2.1047 (b)
TEST METHOD/GUIDE	: ANSI/TIA-603-C Section 2.2.3.2, 1.3.4.4

**Test Procedure**

- 1 The EUT and test equipment were set up as shown on the following page.
- 2 Adjust the Modulation Analyzer for the following setting:
  - a) High-pass filter : off
  - b) Low-pass filter : 15 kHz
  - c) Detector : positive peak
  - d) Function : FM
- 3 Apply a 1kHz modulation signal to the transmitter from the audio generator, and adjust the level to obtain 60% of full rated system deviation.
- 4 Measure the modulation frequency that was showed on the Modulation Analyzer when the output levels of the Audio Generator were changed from -20 dB to +50 dB by 10 dB.
- 5 Set the output frequencies of the Audio Generator 300 Hz and 3 kHz, and repeat test procedure 4.
- 6 Set the the Detector of the Modulation Analyzer Negative Peak.
- 7 Repeat test procedure 4 and 5.

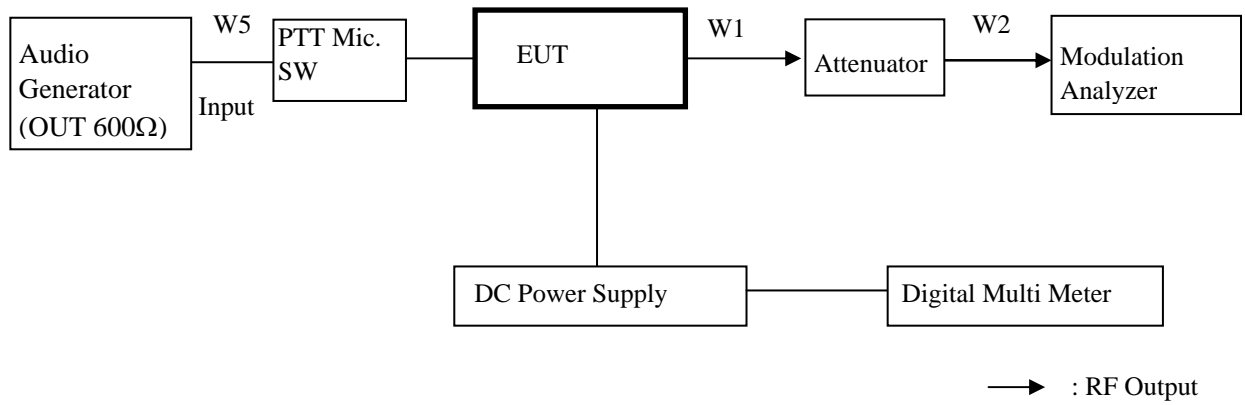
**Measuring Equipments**

No.	Equipment	Manufacture	Model No.	Serial No.	Cal Date	Cal Exp.
1	Audio Generator	Anritsu	MG443B	M70150	Aug. 25, 06	Aug. 31, 07
2	Attenuator (20dB)	Weinschel	40-20-34	AA5761	Jun. 15, 06	Jun. 30, 07
3	Attenuator (30dB)	Weinschel	WA-29-30-34	8923	Jun. 15, 06	Jun. 30, 07
4	Modulation Analyzer	Hewlett Packard	8901B	2806A01669	Mar. 21, 07	Mar. 31, 08
5	DC Power Supply	Daiwa	PS-3020	None	None	None
6	Digital Multi Meter	Sanwa	CD721	3215593	May 18, 07	May 31, 08

**Measuring Cables**

No.	Cable	Manufacture	Model No.	Serial No.	Cal Date	Cal Exp.
W1	Coaxial Cable	Suhner	SUCOFLEX102	KSR00046	Aug. 01, 06	Aug. 31, 07
W2	Coaxial Cable	Pacific custom	RG-58 C/U	AM90C02	Aug. 01, 06	Aug. 31, 07
W5	Balance Cable	Nicoon	3D-2V	KSR00092	Oct. 01, 06	Oct. 31, 07

### Measuring Equipment Configuration



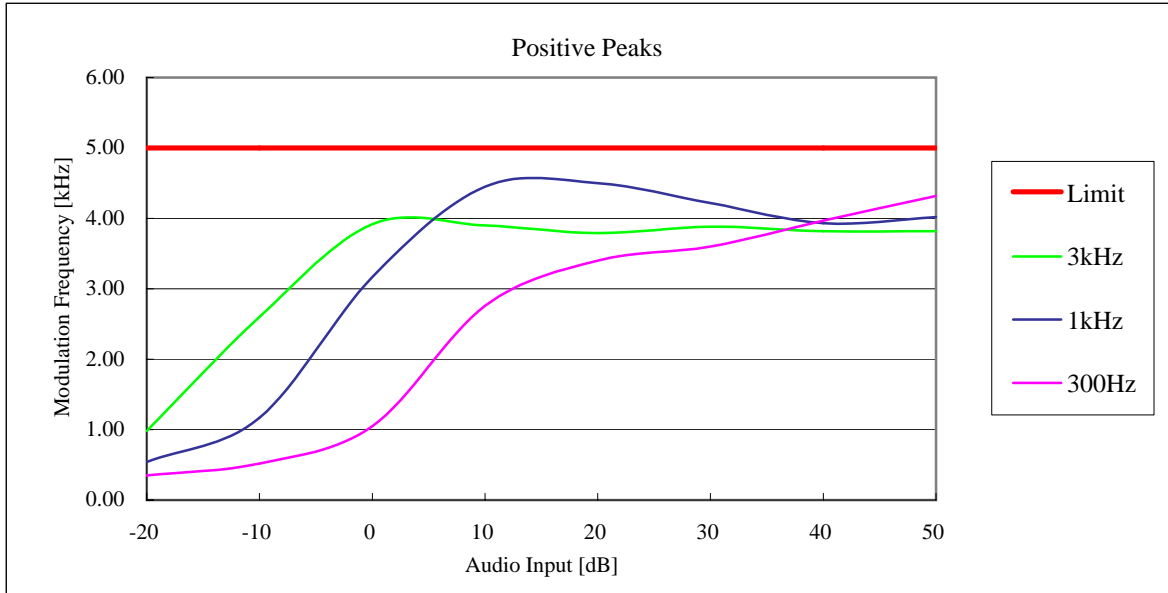
### Uncertainty

Measurement uncertainty is +/- 0.3dB (k = 2)

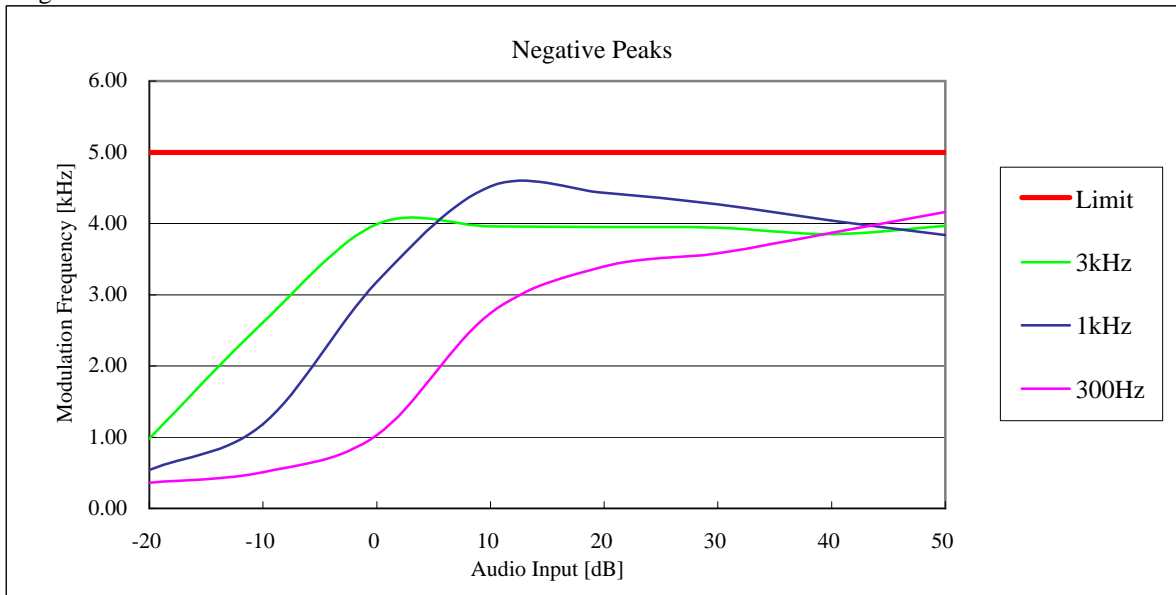
### Test Results

Test carried out for all the frequency band of section 5.1  
Measured for the worst case

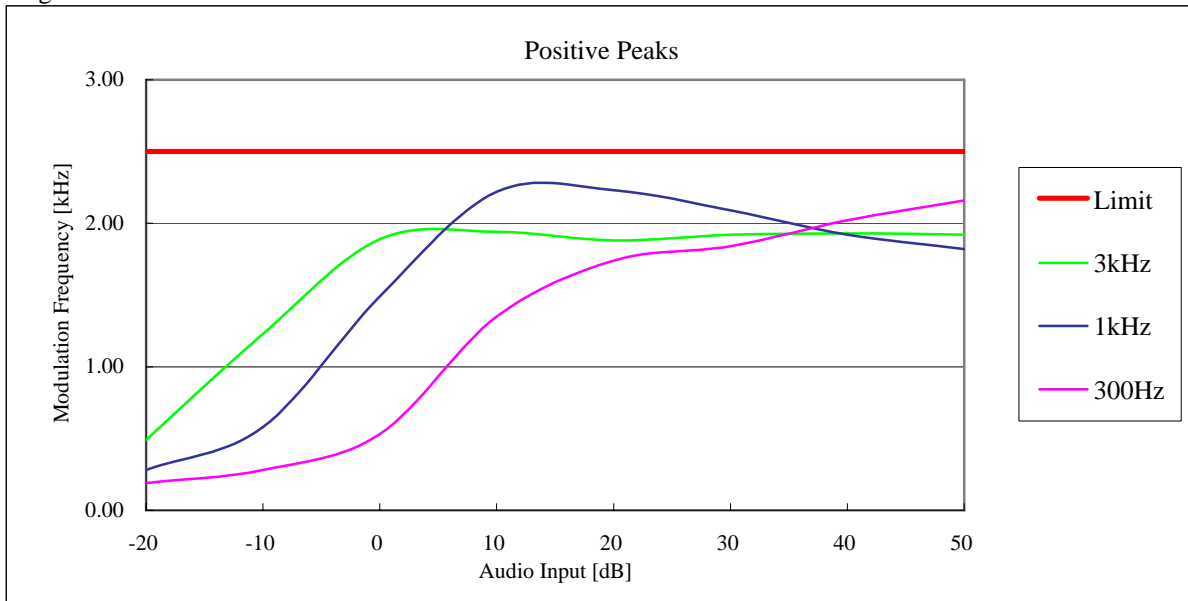
State : High Power / Authorized Bandwidth 20 kHz / 162.05 MHz



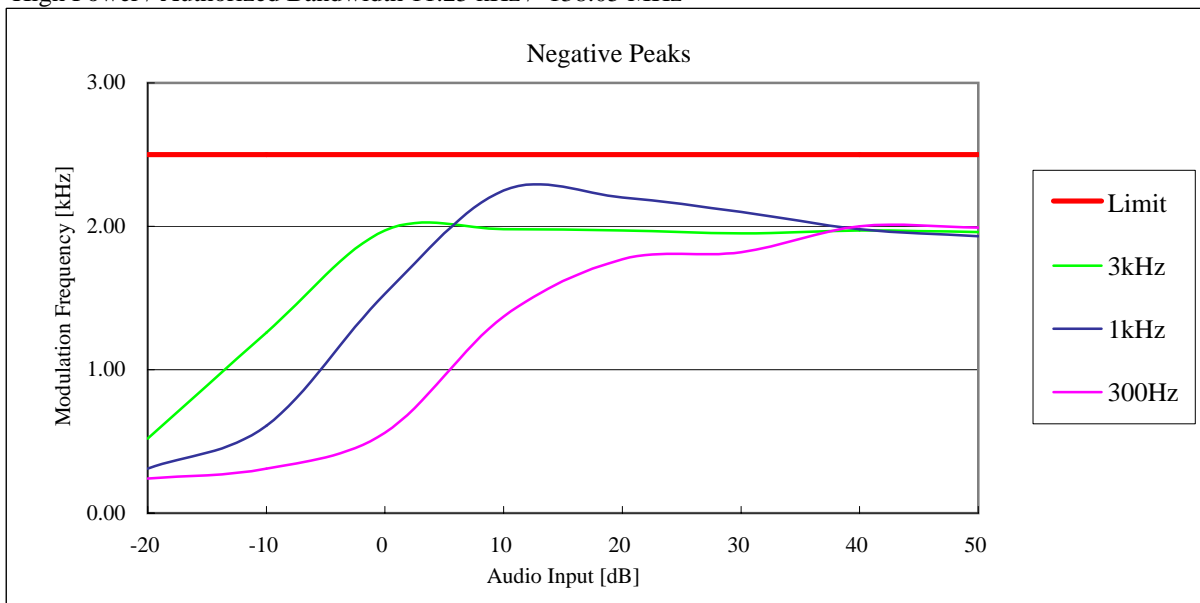
State : High Power / Authorized Bandwidth 20 kHz / 162.05 MHz



State : High Power / Authorized Bandwidth 11.25 kHz / 138.05 MHz



State : High Power / Authorized Bandwidth 11.25 kHz / 138.05 MHz



**5.8 Frequency Stability (Temperature Variation)**

REGULATIONS	: 47 CFR 2.1055 (a) (1), 22.355 , 74.1261 (b) , 90.213(a) / RSS-119 Section 5.3
-------------	---

TEST METHOD/GUIDE	: ANSI/TIA-603-C Section 2.2.2.2 / RSS-Gen Section 4.7(a)
-------------------	---

**Test Procedure**

- 1 The EUT and test equipment were set up as shown on the following page.
- 2 Set the temperature -30 degrees C.
- 3 Leave the EUT for 1 hour after it became the temperature that was set up.
- 4 Make the EUT the transmitting state.  
Two minutes later, measure the output frequency.
- 5 Make the EUT the receiving state.
- 6 Set the temperature 50 degrees C by 10 degrees C.  
And repeat test procedure 3 to 5.

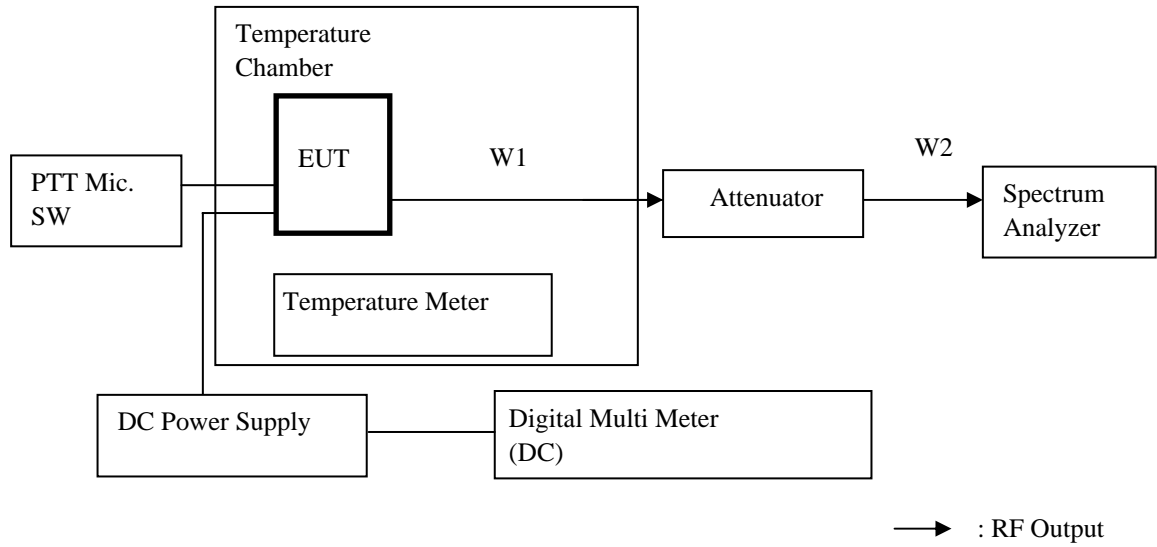
**Measuring Equipments**

No.	Equipment	Manufacture	Model No.	Serial No.	Cal Date	Cal Exp.
1	Spectrum Analyzer	Agilent	E4407B	MY45102460	Oct. 03, 06	Oct. 31, 07
2	Attenuator (20dB)	Weinschel	40-20-34	AA5761	Jun. 15, 06	Jun. 30, 07
3	Attenuator (30dB)	Weinschel	WA-29-30-34	8923	Jun. 15, 06	Jun. 30, 07
4	DC Power Supply	Daiwa	PS-3020	None	None	None
5	Digital Multimeter	Sanwa	CD721	3215593	May 18, 07	May 31, 08
6	Temperature Chamber	Tabai	PL-3F	5103661	None	None
7	Temperature Meter	Sato	PC-5000TRH-II	A11999972	Mar. 22, 07	Mar. 31, 08

**Measuring Cables**

No.	Cable	Manufacture	Model No.	Serial No.	Cal Date	Cal Exp.
W1	Coaxial Cable	Suhner	SUCOFLEX102	KSR00046	Aug. 01, 06	Aug. 31, 07
W2	Coaxial Cable	Pacific custom	RG-58 C/U	AM90C02	Aug. 01, 06	Aug. 31, 07

### Measuring Equipment Configuration



### Uncertainty

Measurement uncertainty is +/- 0.2ppm

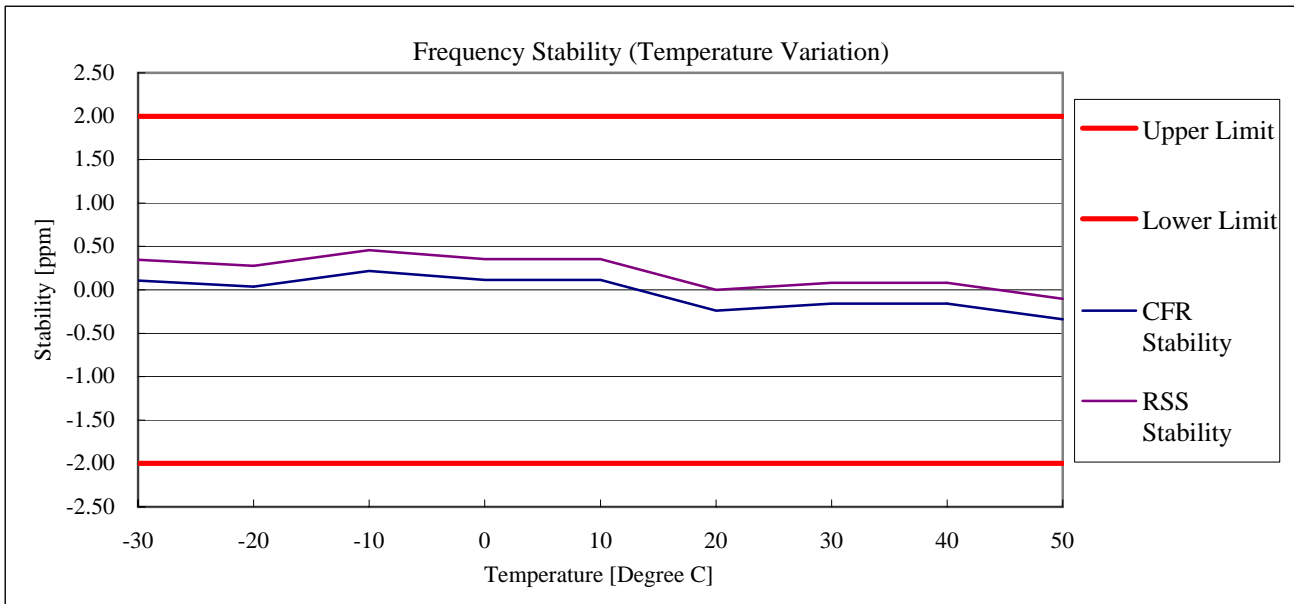
**Test Results**

Test carried out for all the frequency band of section 5.1

Measured for the worst case

State : High Power / Authorized Bandwidth 6 kHz / 138.05 MHz

No.	Temperature (Degree C)	Frequency (MHz)	CFR Stability (ppm)	RSS Stability (ppm)	Limit (+/- ppm)	Min. Margin (ppm)
1	-30	138.050015	0.11	0.35	2.0	1.65
2	-20	138.050005	0.04	0.28	2.0	1.72
3	-10	138.050030	0.22	0.46	2.0	1.54
4	0	138.050016	0.12	0.35	2.0	1.65
5	10	138.050016	0.12	0.35	2.0	1.65
6	20	138.049967	-0.24	0.00	2.0	1.76
7	30	138.049978	-0.16	0.08	2.0	1.84
8	40	138.049978	-0.16	0.08	2.0	1.84
9	50	138.049953	-0.34	-0.10	2.0	1.66





**5.9 Frequency Stability (Voltage Variation)**

REGULATIONS	: 47 CFR 2.1055 (d) (1), 22.355 , 74.1261 (b) , 90.213(a) / RSS-119 Section 5.3
TEST METHOD/GUIDE	: ANSI/TIA-603-C Section 2.2.2.2 / RSS-Gen Section 4.7(b)

**Test Procedure**

- 1 The EUT and test equipment were set up as shown on the following page.
- 2 The power supply voltage to the EUT was varied from 85 % to 115 % of the nominal value measured at the input to the EUT.

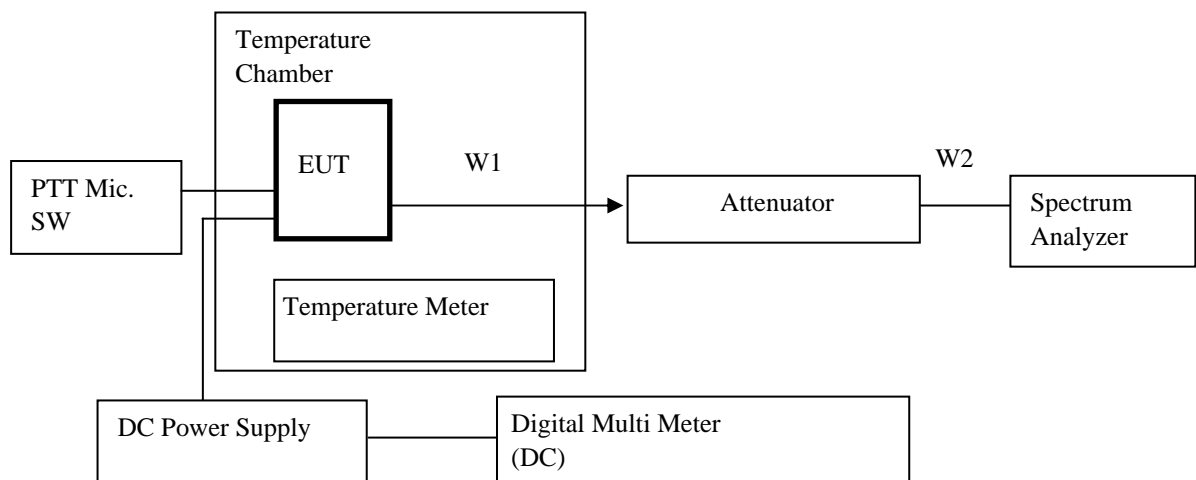
**Measuring Equipments**

No.	Equipment	Manufacture	Model No.	Serial No.	Cal Date	Cal Exp.
1	Spectrum Analyzer	Agilent	E4407B	MY45102460	Oct. 03, 06	Oct. 31, 07
2	Attenuator (20dB)	Weinschel	40-20-34	AA5761	Jun. 15, 06	Jun. 30, 07
3	Attenuator (30dB)	Weinschel	WA-29-30-34	8923	Jun. 15, 06	Jun. 30, 07
4	DC Power Supply	Daiwa	PS-3020	None	None	None
5	Digital Multimeter	Sanwa	CD721	3215593	May 18, 07	May 31, 08
6	Temperature Chamber	Tabai	PL-3F	5103661	None	None
7	Temperature Meter	Sato	PC-5000TRH-II	A11999972	Mar. 22, 07	Mar. 31, 08

**Measuring Cables**

No.	Cable	Manufacture	Model No.	Serial No.	Cal Date	Cal Exp.
W1	Coaxial Cable	Suhner	SUCOFLEX102	KSR00046	Aug. 01, 06	Aug. 31, 07
W2	Coaxial Cable	Pacific custom	RG-58 C/U	AM90C02	Aug. 01, 06	Aug. 31, 07

**Measuring Equipment Configuration**



→ : RF Output

**Uncertainty**

Measurement uncertainty is +/- 0.2ppm

### Test Results

Test carried out for all the frequency band of section 5.1

Measured for the worst case

State : High Power / Authorized Bandwidth 6 kHz / 138.05 MHz

No.	Diviation (%)	Voltage (V)	Frequency (MHz)	Stability (ppm)	Limit +/- (ppm)	Margin (ppm)
1	85	11.6	138.049967	-0.24	2.0	1.76
2	100	13.6	138.049967	-0.24	2.0	1.76
3	115	15.6	138.049967	-0.24	2.0	1.76

## 5.10 Receiver Spurious Emissions(Radiated)

REGULATIONS : RSS-119 Section 5.11, RSS-Gen Section 6

TEST METHOD/GUIDE : RSS-Gen Section 4.10

### TEST PROCEDURE

- 1 The EUT and test equipment were set up as shown on the following page.
- 2 Tabletop Equipment  
EUT is placed on the wooden table, the top of which is 0.8meter above the metal ground plane(turntable).
- 3 Interconnecting Cables  
Excess part of the interconnecting cables longer than 1 meter are bundled in the center.  
Cables that hang closer than 40 cm to the ground plane is folded back and forth forming bundle 30 to 40 cm long,
- 4 Measuring Instruments  
Measuring instruments list and their calibration schedule are shown on Measurement Equipment Configuration.  
The brief description are as follows;
- 5 Antennas  
The broadband Bi-cog antenna is used for measurement on the frequency range 30 – 1000 MHz.  
The Double ridged guide antenna is used for frequency higher than 1000 MHz
- 6 Pre-amplifier  
The broadband pre-amplifier is used for radiated emission measurement.  
The signal to noise ratio is improved by using pre-amplifier.
- 7 Spectrum Analyzer  
The spectrum analyzer is used for preliminary measurement of frequency range 30 – 1000 MHz, and also used for final measurement of higher than 1000 MHz (RBW : 1 MHz).
- 8 EMI Test Receiver  
The Quasi-peak detector (IF bandwidth : 120 kHz) built in test receiver is used for final measurement of the frequency 30 – 1000 MHz.  
The test receiver is complied with the specification of the CISPR publication 16.
- 9 Turntable  
The turntable is capable for EUT weight and rotatable 0 to 360 degree horizontally by remote control in the test room.
- 10 Antenna Mast  
The antenna mast is attachable to all antennas described on antenna height is adjustable 1 to 4 meters continuously by remote control at the test room, and antenna polarization is also changed by the remote control.  
Preliminary Measurement
- 11 EUT is tested on all operating conditions.  
The spectrum analyzer is set max-hold mode and swept during turntable was rotated 0 to 360 degree. Then spectrum chart are plotted out to find the worst emission conditions in configuration, operating mode, or ambient noise notation.

## 12 Final Measurement

The EUT operated in the condition where maximum emission is found in the preliminary test.

The turntable azimuth(EUT direction) and antenna height are adjusted the position so that maximum field strength is obtained for each frequency spectrum to be measured.

The equipment and cables are arranged or manipulated within the range of the test standard in the above condition.

When the uncertain result was obtained, the measurement is retried by using the half wave dipole antenna instead of the broadband antenna

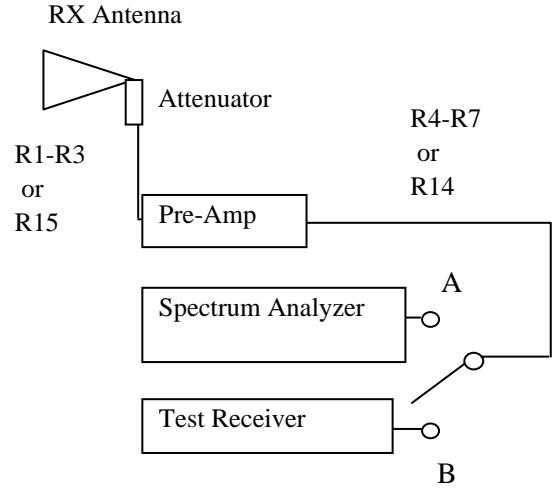
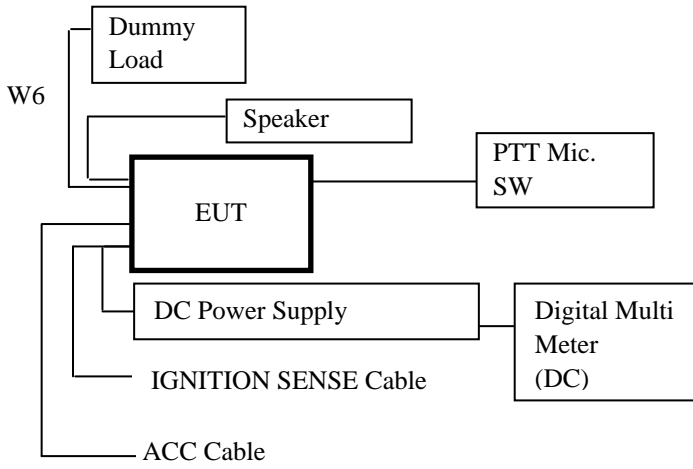
## TEST EQUIPMENTS

No.	Equipment	Manufacture	Model No.	Serial No.	Cal Date	Cal Exp.
1	Tri-log Antenna	Schwarzbeck	VULB9168	106	Aug. 29, 06	Aug. 31, 07
2	D.R.G Antenna	Schwarzbeck	3115	5044	Jun. 21, 07	Jun. 30, 08
3	Step Attenuator	Hewlett Packard	8464B	M57593	Jan. 15, 07	Jan. 31, 08
4	Pre-Amplifier	ETL SEMKO	ZX60-3018G	001	Jan. 15, 07	Jan. 31, 08
5	Pre-Amplifier	Hewlett Packard	83051A	3332A00329	Sep. 27, 06	Sep. 30, 07
6	Attenuator (6dB)	Anritsu	MP721B	M57593	Jan. 15, 07	Jan. 31, 08
7	Attenuator (3dB)	Narda	6803.17B	None	Sep. 27, 06	Sep. 30, 07
8	Spectrum Analyzer	Hewlett Packard	8564E	3643A00665	Apr. 06, 07	Apr. 30, 08
9	Test Receiver	Rohde & Schwarz	ESS	844861/004	May 21, 07	May 31, 08
10	Dummy Load	TME	CT-150NP	1138693	Aug. 01, 06	Aug. 31, 07
11	DC Power Supply(1)	Daiwa	PS-3020	None	None	None
12	Digital Multimater	Sanwa	CD721	3215593	May 18, 07	May 31, 08

## USED CABLES

No.	Cable	Manufacture	Model No.	Serial No.	Cal Date	Cal Exp.
W6	Coaxial Cable	ETL SEMKO	5D-2W	KSR00098	Oct. 01, 06	Oct. 31, 07
R1	Coaxial Cable	ETL SEMKO	5D-2W	None	Jan. 15, 07	Jan. 31, 08
R2	Coaxial Cable	ETL SEMKO	10D-2W	None	Jan. 15, 07	Jan. 31, 08
R3	Coaxial Cable	ETL SEMKO	5D-2W	None	Jan. 15, 07	Jan. 31, 08
R4	Coaxial Cable	ETL SEMKO	5D-2W	None	Jan. 15, 07	Jan. 31, 08
R5	Coaxial Cable	ETL SEMKO	5D-2W	None	Jan. 15, 07	Jan. 31, 08
R6	Coaxial Cable	ETL SEMKO	5D-2W	None	Jan. 15, 07	Jan. 31, 08
R7	Coaxial Cable	ETL SEMKO	5D-2W	None	Jan. 15, 07	Jan. 31, 08
R14	Coaxial Cable	Suhner	SUCOFLEX102	712/2	Sep. 27, 06	Sep. 30, 07
R15	Coaxial Cable	Insulated Wire	KSP-1501-1969-KPS	03292003	Sep. 27, 06	Sep. 30, 07

### MEASUREMENT EQUIPMENT CONFIGURATION



### UNCERTAINTY

Measurement uncertainty is +/- 4.8dB (k = 2)

## TEST RESULTS

Test carried out for the RSS frequency band of section 5.1  
 Measured for the worst case

State : 138.05 MHz Receiver Condition

No.	Frequency (MHz)	Pol	Mode	Reading Level (dBuv)	Factor* (dB)	Emission Level (dBuV/m)	Limit Level (dBuV/m)	Margin (dB)
1	92.66	Hor.		-	-8.30	-	43.5	-
		Ver.		35.40	-8.30	27.10	43.5	16.4
2	113.04	Hor.		-	-5.10	-	43.5	-
		Ver.		31.00	-5.10	25.90	43.5	17.6
3	114.52	Hor.		-	-4.90	-	43.5	-
		Ver.		33.60	-4.90	28.70	43.5	14.8
4	115.92	Hor.		-	-4.50	-	43.5	-
		Ver.		32.50	-4.50	28.00	43.5	15.5
5	117.34	Hor.		-	-4.30	-	43.5	-
		Ver.		30.30	-4.30	26.00	43.5	17.5
6	120.22	Hor.		-	-3.80	-	43.5	-
		Ver.		28.90	-3.80	25.10	43.5	18.4
7	121.64	Hor.		-	-3.80	-	43.5	-
		Ver.		28.60	-3.80	24.80	43.5	18.7
8	123.08	Hor.		-	-3.70	-	43.5	-
		Ver.		26.80	-3.70	23.10	43.5	20.4

There is the margin of 20dB over except for the above points.

\* Factor = Antenna, Antenna Pad, Cable, Preamp

Emission Level = Reading Level + Factor

### Note:

- 1 Measurement distance is 3 metres.
- 2 Scanned frequency are 30 to 2000 MHz.
- 3 Maximum local oscillator frequency is 465 MHz.

### 5.11 Necessary Bandwidth and Emission Bandwidth

REGULATIONS	: 47 CFR 2.202 (g) & Federal Register/ Vol.68, No236 TRC 43
-------------	--

#### Calculation Results

State : 16K0F3E(Authorized Bandwidth 20 kHz)

Item	Mark	
Maximum Modulation	(M)	3kHz
Maximum Deviation	(D)	5kHz
Constant Factor	(K)	1
Necessary Bandwidth	(Bn)	16kHz

$$B_n = (2 \times M) + (2 \times D \times K)$$

State : 14K4F1D(GMSK / 9600bps, Authorized Bandwidth 20 kHz)

Item	Mark	
Digital information rate	(R)	9600bps
Peak frequency deviation	(D)	2.4kHz
Signaling states	(S)	2
Numerical factor	(K)	1
Necessary Bandwidth	(Bn)	14.4kHz

$$B_n = (R / \log_2 S) + 2 \times D \times K$$

State : 11K0F3E(Authorized Bandwidth 11.25 kHz)

Item	Mark	
Maximum Modulation	(M)	3kHz
Maximum Deviation	(D)	2.5kHz
Constant Factor	(K)	1
Necessary Bandwidth	(Bn)	11kHz

$$B_n = (2 \times M) + (2 \times D \times K)$$

State : 8K30F1E/8K30F1D/8K30F7W(4Level FSK/9600bps, Authorized Bandwidth 11.25 kHz)

Item	Mark	
Digital information rate	(R)	9600bps
Peak frequency deviation	(D)	3.391kHz
Signaling states	(S)	4
Numerical factor	(K)	0.516
Necessary Bandwidth	(Bn)	8.3kHz

$$B_n = (R / \log_2 S) + 2 \times D \times K$$

State : 4K00F1E/4K00F1D/4K00F7W(4Level FSK/4800bps, Authorized Bandwidth 6 kHz)

Item	Mark	
Digital information rate	(R)	4800bps
Peak frequency deviation	(D)	1.550kHz
Signaling states	(S)	4
Numerical factor	(K)	0.516
Necessary Bandwidth	(Bn)	4.0kHz

$$B_n = (R / \log_2 S) + 2 \times D \times K$$

State : 4K00F2D(CWID, Authorized Bandwidth 6 kHz)

Item	Mark	
Maximum Modulation	(M)	0.8kHz
Maximum Deviation	(D)	1.2kHz
Numerical factor	(K)	1
Necessary Bandwidth	(Bn)	4.0kHz

$$B_n = (2 \times M) + (2 \times D \times K)$$

State : 8K10F2D / 8K10F1E(C4FM/9600bps, Authorized Bandwidth 11.25 kHz)

Item	Mark		
Digital information rate	(R)	9600bps	
Peak frequency deviation	(D)	3.111kHz	
Signaling states	(S)	4	
Numerical factor	(K)	1	
Necessary Bandwidth	(Bn)	8.1kHz	Measurements were done*

\*Measurements per Rule 47CFR Part 2.202(c)(4) were done because Part 2.202(g) Table III-A.1. formulation produces an excessive result using the value of K recommended in the Table. Therefore the 99% energy rule(title 47CFR 2.202(a)) was used for digital mode and is more accurate than Carson's rule. It basically states that 99% of the modulation energy falls within X kHz, in this case, 8.10kHz. Measurements were performed in accordance with TIA/EIA 102.CAAA-A Section 2.2.5.2. The emission mask was obtained from 47CFR 90.210(d).






## 6. VALIDITY OF TEST REPORT




The test result of this report is effective for equipment under test itself and under the test configuration described on the report.

This test report does not assure that whether the test result taken in other testing laboratory is compatible or reproducible to the test result on this report or not.

Copying of this report without permission is prohibited.

## 7. DESCRIPTION OF TEST LABORATORY

ACCREDITATION			SCOPE	LAB. CODE
 NVLAP <small>LAB CODE 100290-0</small>	NVLAP	USA	EMC Testing	100290-0
	NVLAP	USA	Calibration	100290-0
	NVLAP	USA	Telecommunication	100290-0
	VLAC	JAPAN	EMC Testing	VLAC-008-1
	BSMI	TAIWAN	EMC Testing	SL2-IN-E-6008
	NATA	AUSTRALIA	Calibration	13491
	NATA	AUSTRALIA	Telecommunication	100290-0

FILING			SCOPE	LAB. CODE
	VCCI	JAPAN	EMC Testing	
	FCC	USA	EMC Testing	934283
	IC	CANADA	EMC Testing	IC-2065A
	IC	CANADA	Telecommunication	IC-2065A
		SAUDI ARABIA	EMC Testing	

Note 1 : NVLAP accreditation does not constitute any product endorsement by NVLAP or any agent of the U.S. Government.