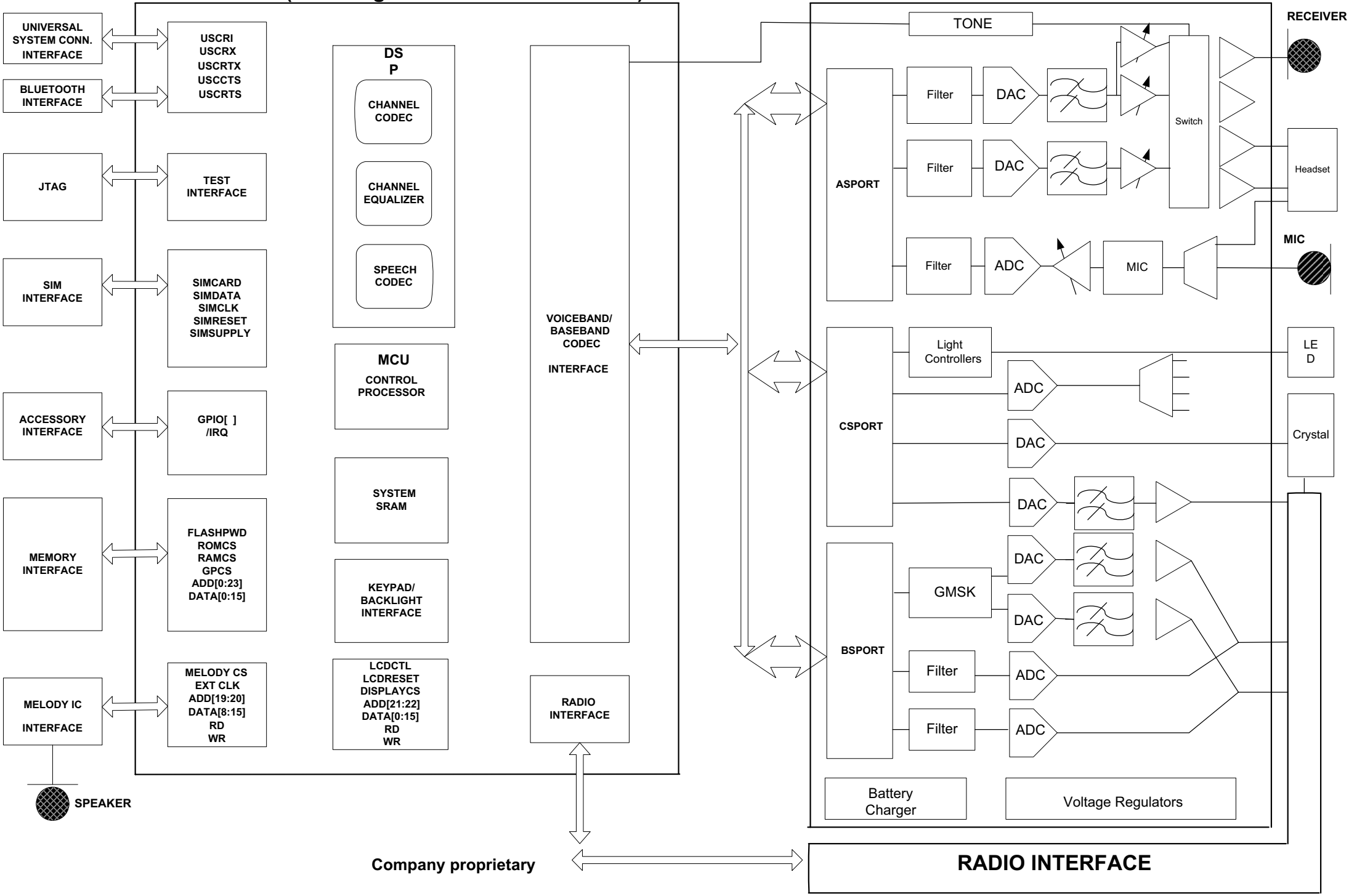


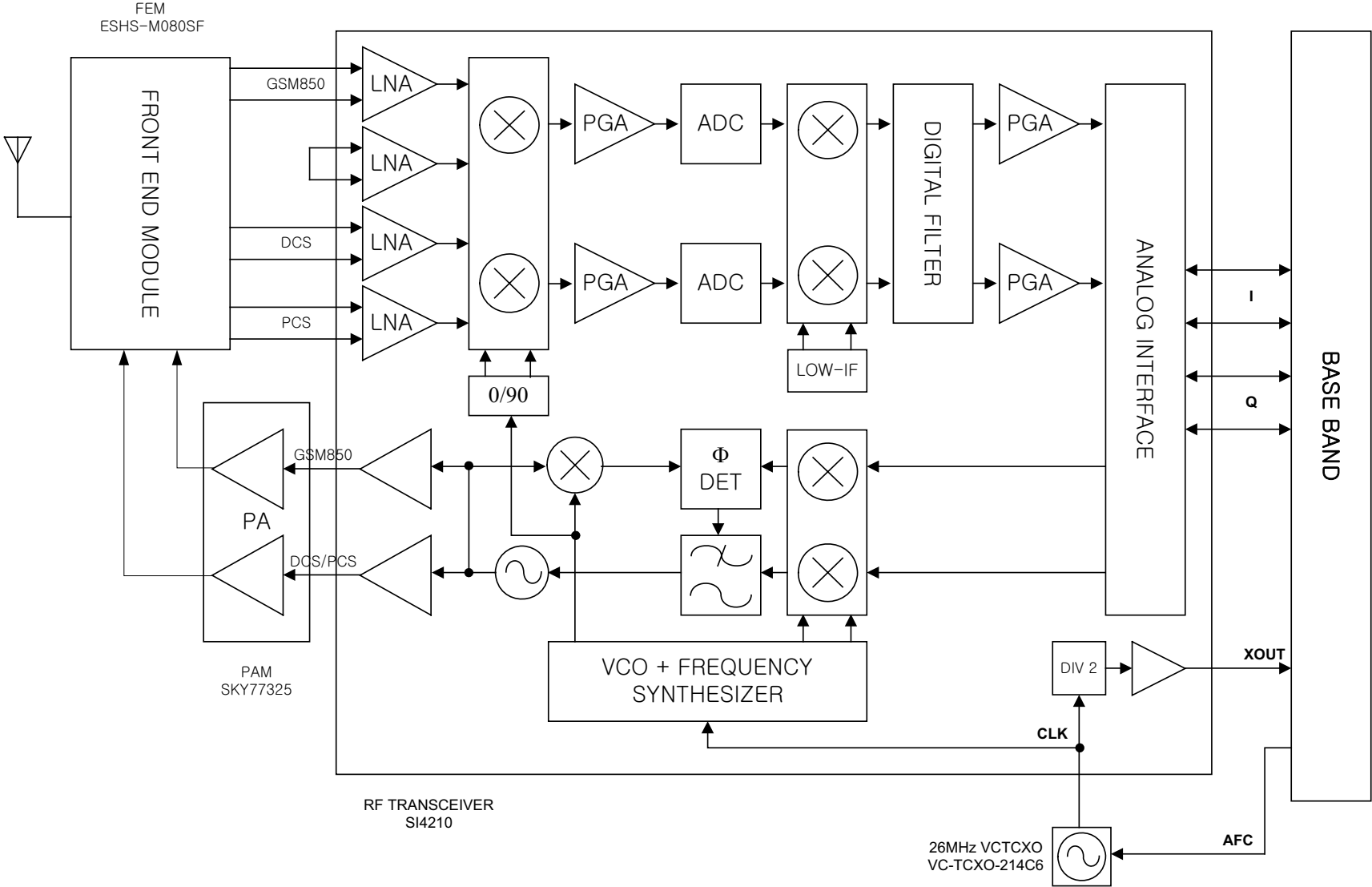
# PG-C3B Block Diagram BB

## AD6527( GSM Digital Baseband Processor )

## AD6537B( GSM Analog Baseband Processor )



# PG-C3B Block Diagram RF



Company proprietary

# PG-C3B Block Diagram Bluetooth

