

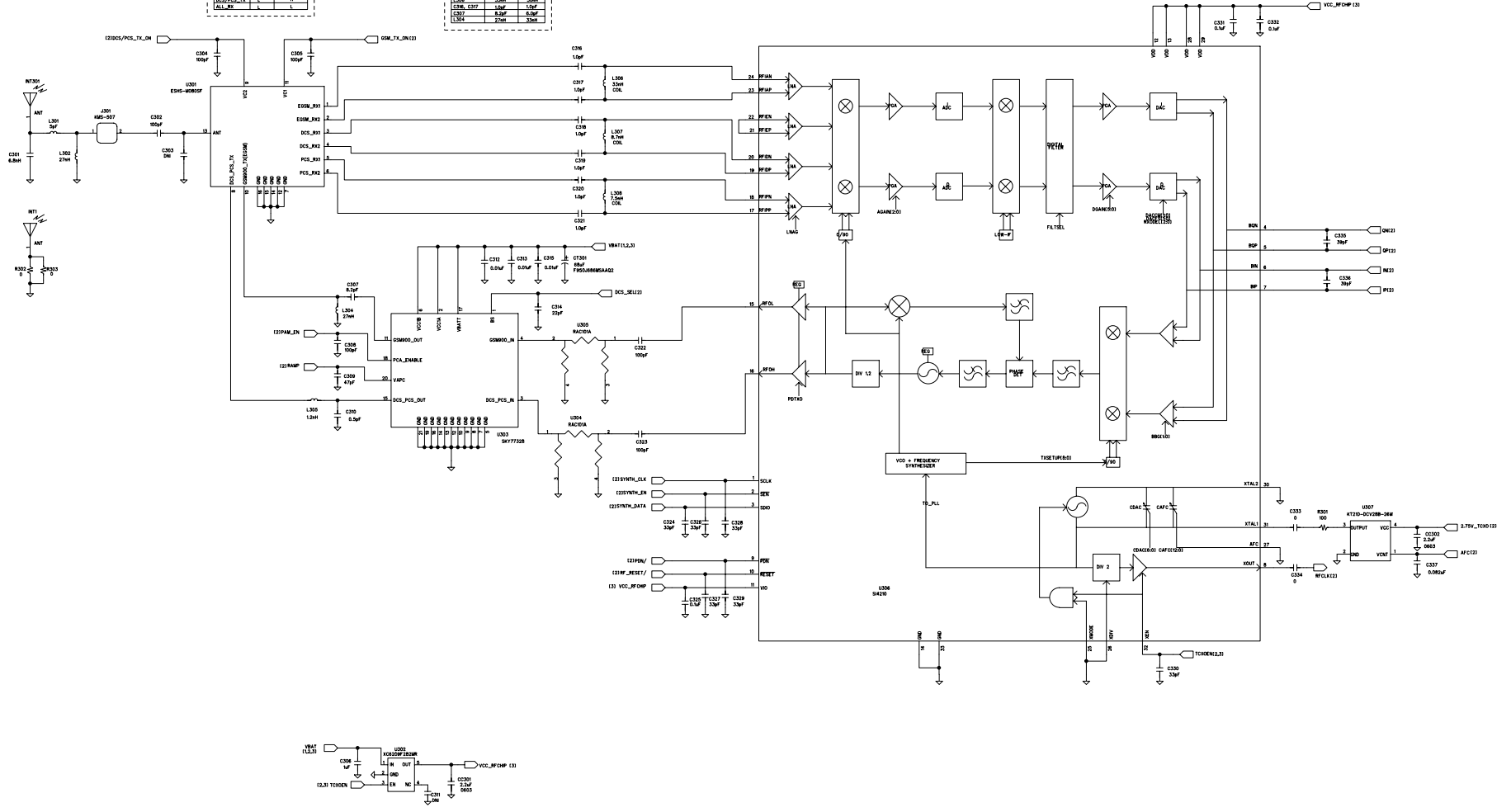
BOOT CONTROL

GPIO_AS	GPIO_RS	BOOT_MODE
0	0	BYPASS BOOT (Jump to FLASH segment)
0	1	HARD BOOT
1	0	USB BOOT with Internal reference clock
1	1	USB BOOT with External reference clock

	PANTECH	TITLE	DBB/ABB
		NO	PG-1810
		SHEET	2
FTA		DATE	2006.01.25
		SHEETS	3

ESHS-M0805F Mode Control		
MODE	VCC	VCC
LOGP_TX	H	L
DCS_PCS_TX	L	L
ALL_RX	L	L

GSM 850/900 VALUE		
REF	COMPND	COMPND
U301	0805F	0805F
U308	330F	330F
C316, C317	100F	100F
C320	8.2M	8.2M
C324	270H	330H



PANTECH	TITLE	RF
	NO	PG-1810
FTA	DATE	2006.01.25
	SHEETS	3