

APPENDIX C (DIPOLE VALIDATION)

Test Laboratory: HCT CO., LTD.
 Ambient Temperature: 21.3 °C
 Test Date: Dec. 7, 2010

DUT: HAC-Dipole 835 MHz; Type: D835V3; Serial:1024

Communication System: CW; Frequency: 835 MHz; Duty Cycle: 1:1
 Medium parameters used: $\sigma = 0$ mho/m, $\epsilon_r = 1$; $\rho = 1000$ kg/m³
 Phantom section: E Dipole Section ; Measurement SW: DASY4, V4.7 Build 71; Postprocessing SW: SEMCAD, V1.8 Build 184

DASY4 Configuration:

- Probe: ER3DV6 - SN2343; ConvF(1, 1, 1); Calibrated: 2010-05-20
- Sensor-Surface: (Fix Surface)
- Electronics: DAE3 Sn446; Calibrated: 2010-09-21
- Phantom: HAC Test Arch; Type: SD HAC P01 BA

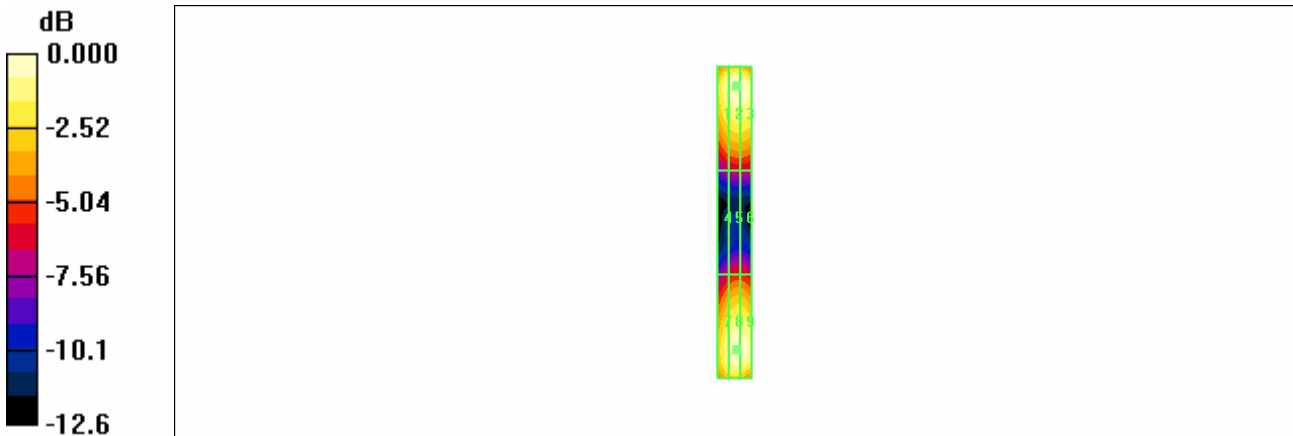
E Scan 10mm above CD 835 MHz/Hearing Aid Compatibility Test (41x361x1): Measurement grid: dx=5mm, dy=5mm
 Maximum value of peak Total field = 164.8 V/m
 Probe Modulation Factor = 1.00
 Device Reference Point: 0.000, 0.000, 354.7 mm
 Reference Value = 130.4 V/m; Power Drift = 0.029 dB
Hearing Aid Near-Field Category: M4 (AWF 0 dB)

Peak E-field in V/m

Grid 1	Grid 2	Grid 3
154.7 M4	164.8 M4	162.9 M4
Grid 4	Grid 5	Grid 6
78.1 M4	85.5 M4	85.0 M4
Grid 7	Grid 8	Grid 9
150.4 M4	164.2 M4	162.9 M4

Cursor:

Total = 164.8 V/m
 E Category: M4
 Location: -1, -79, 365.8 mm



0 dB = 164.8V/m

Test Laboratory: HCT CO., LTD.
 Ambient Temperature: 21.3 °C
 Test Date: Dec. 7, 2010

DUT: HAC Dipole 1880 MHz; Type: CD1880V3; Serial:1019

Communication System: CW; Frequency: 1880 MHz; Duty Cycle: 1:1
 Medium parameters used: $\sigma = 0$ mho/m, $\epsilon_r = 1$; $\rho = 1000$ kg/m³
 Phantom section: E Dipole Section ; Measurement SW: DASY4, V4.7 Build 71; Postprocessing SW: SEMCAD, V1.8 Build 184

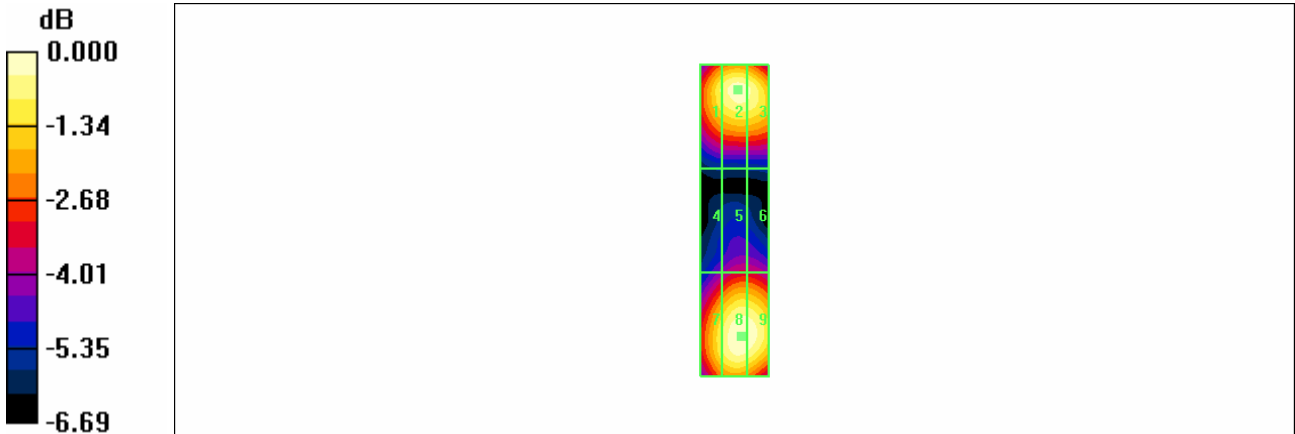
DASY4 Configuration:
 - Probe: ER3DV6 - SN2343; ConvF(1, 1, 1); Calibrated: 2010-05-20
 - Sensor-Surface: (Fix Surface)
 - Electronics: DAE3 Sn446; Calibrated: 2010-09-21
 - Phantom: HAC Test Arch; Type: SD HAC P01 BA

E Scan 10mm above CD 1880 MHz/Hearing Aid Compatibility Test (41x181x1): Measurement grid: dx=5mm, dy=5mm
 Maximum value of peak Total field = 142.0 V/m
 Probe Modulation Factor = 1.00
 Device Reference Point: 0.000, 0.000, 354.7 mm
 Reference Value = 167.9 V/m; Power Drift = -0.013 dB
Hearing Aid Near-Field Category: M2 (AWF 0 dB)

Peak E-field in V/m

Grid 1 130.8 M2	Grid 2 139.3 M2	Grid 3 137.4 M2
Grid 4 87.9 M3	Grid 5 95.9 M3	Grid 6 95.8 M3
Grid 7 129.7 M2	Grid 8 142.0 M2	Grid 9 141.2 M2

WCursor:
 Total = 142.0 V/m
 E Category: M2
 Location: -2, 33.5, 365.8 mm



0 dB = 142.0V/m

Test Laboratory: HCT CO., LTD.
 Ambient Temperature: 21.3 °C
 Test Date: Dec. 7, 2010

DUT: HAC-Dipole 835 MHz; Type: D835V3; Serial:1024

Communication System: CW; Frequency: 835 MHz; Duty Cycle: 1:1
 Medium parameters used: $\sigma = 0$ mho/m, $\epsilon_r = 1$; $\rho = 1$ kg/m³
 Phantom section: H Dipole Section ; Measurement SW: DASY4, V4.7 Build 71; Postprocessing SW: SEMCAD, V1.8 Build 184

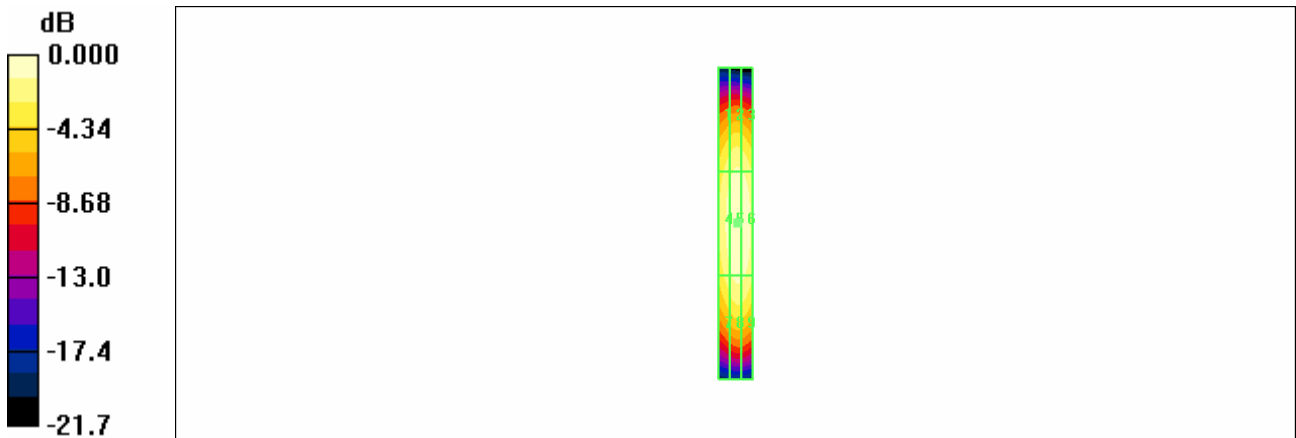
DASY4 Configuration:
 - Probe: H3DV6 - SN6101; ; Calibrated: 2010-05-27
 - Sensor-Surface: (Fix Surface)
 - Electronics: DAE3 Sn446; Calibrated: 2010-09-21
 - Phantom: HAC Test Arch; Type: SD HAC P01 BA

H Scan 10mm above CD 835 MHz/Hearing Aid Compatibility Test (41x361x1): Measurement grid: dx=5mm, dy=5mm
 Maximum value of peak Total field = 0.449 A/m
 Probe Modulation Factor = 1.00
 Device Reference Point: 0.000, 0.000, 354.7 mm
 Reference Value = 0.559 A/m; Power Drift = -0.055 dB
Hearing Aid Near-Field Category: M4 (AWF 0 dB)

Peak H-field in A/m

Grid 1	Grid 2	Grid 3
0.361 M4	0.391 M4	0.385 M4
Grid 4	Grid 5	Grid 6
0.409 M4	0.449 M4	0.442 M4
Grid 7	Grid 8	Grid 9
0.362 M4	0.401 M4	0.395 M4

Cursor:
 Total = 0.449 A/m
 H Category: M4
 Location: -1.5, 0, 366.6 mm



0 dB = 0.449A/m

Test Laboratory: HCT CO., LTD.
 Ambient Temperature: 21.3 °C
 Test Date: Dec. 7, 2010

DUT: HAC Dipole 1880 MHz; Type: CD1880V3; Serial:1019

Communication System: CW; Frequency: 1880 MHz; Duty Cycle: 1:1
 Medium parameters used: $\sigma = 0$ mho/m, $\epsilon_r = 1$; $\rho = 1$ kg/m³
 Phantom section: H Dipole Section ; Measurement SW: DASY4, V4.7 Build 71; Postprocessing SW: SEMCAD, V1.8 Build 184

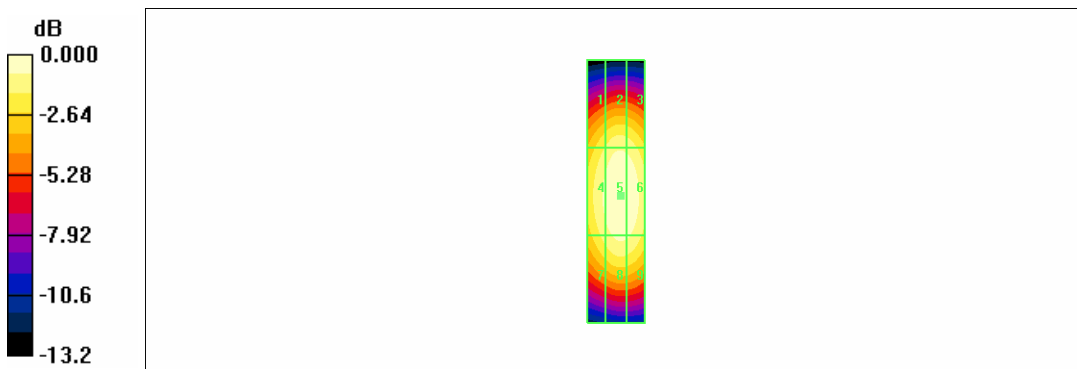
DASY4 Configuration:
 - Probe: H3DV6 - SN6101; ; Calibrated: 2010-05-27
 - Sensor-Surface: (Fix Surface)
 - Electronics: DAE3 Sn446; Calibrated: 2010-09-21
 - Phantom: HAC Test Arch; Type: SD HAC P01 BA

H Scan 10mm above CD 1880 MHz/Hearing Aid Compatibility Test (41x181x1): Measurement grid: dx=5mm, dy=5mm
 Maximum value of peak Total field = 0.475 A/m
 Probe Modulation Factor = 1.00
 Device Reference Point: 0.000, 0.000, 354.7 mm
 Reference Value = 0.566 A/m; Power Drift = 0.015 dB
Hearing Aid Near-Field Category: M2 (AWF 0 dB)

Peak H-field in A/m

Grid 1	Grid 2	Grid 3
0.393 M2	0.424 M2	0.418 M2
Grid 4	Grid 5	Grid 6
0.442 M2	0.475 M2	0.469 M2
Grid 7	Grid 8	Grid 9
0.410 M2	0.442 M2	0.438 M2

Cursor:
 Total = 0.475 A/m
 H Category: M2
 Location: -1.5, 1.5, 366.6 mm



0 dB = 0.475A/m