

2dBi Embedded Antenna for 2.4~2.5GHz, WiFi 802.11b/g/n Application, Mini Plug (male) Connector



Features & Applications

- WiFi 802.11b/g/n band 2400~2500MHz complacent.
- High throughput results on indoor device.
- 2dBi+ gain value for indoor device available.
- Suit for Access Point, Router, IPC wireless AIO device, media adapter of extended wireless coverage.
- Cover WiFi 2.4GHz proprietary wireless projects.
- 1x1/2x2/3x3 MIMO technologies enabled.

Electrical Specifications

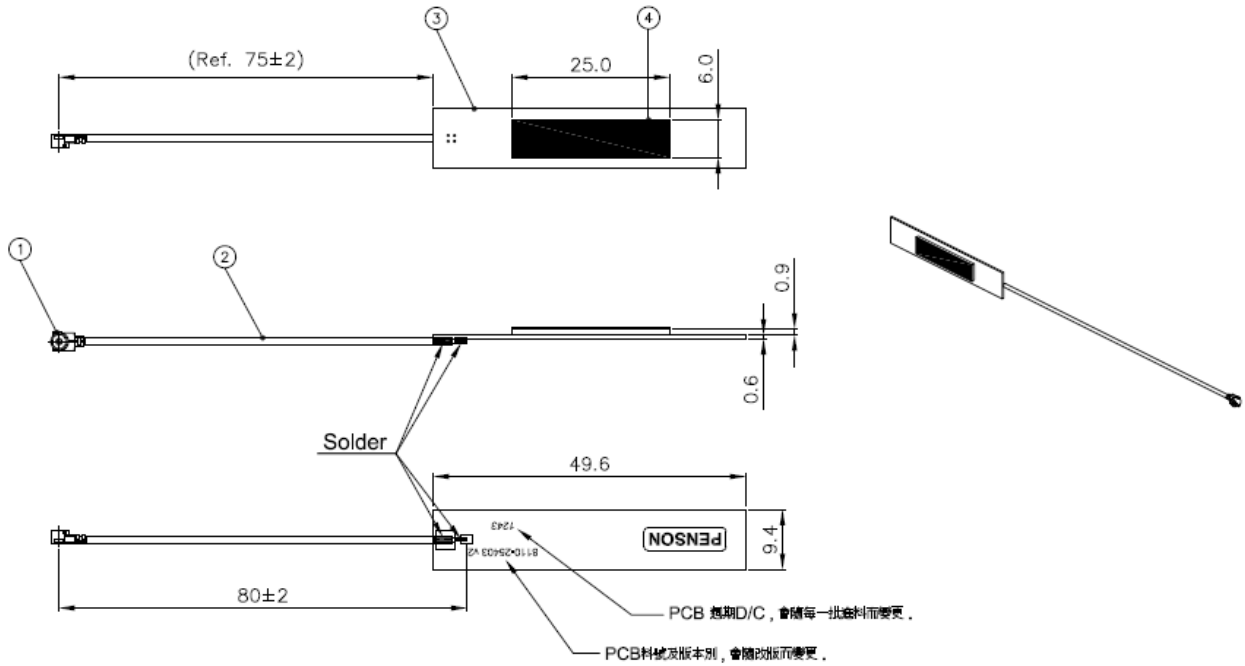
Frequency Range:	2.4~2.5GHz
Peak Gain:	2 dBi+ typ.
VSWR:	2.0:1 max.
Impedance:	50 Ω
Polarization:	Linear, V or H
BW/Azimuth:	360 ° typ.
BW/Elevation:	60 ° typ.
Max. Power Input:	10 W
Connector:	Mini Plug (male)

Mechanical Specifications

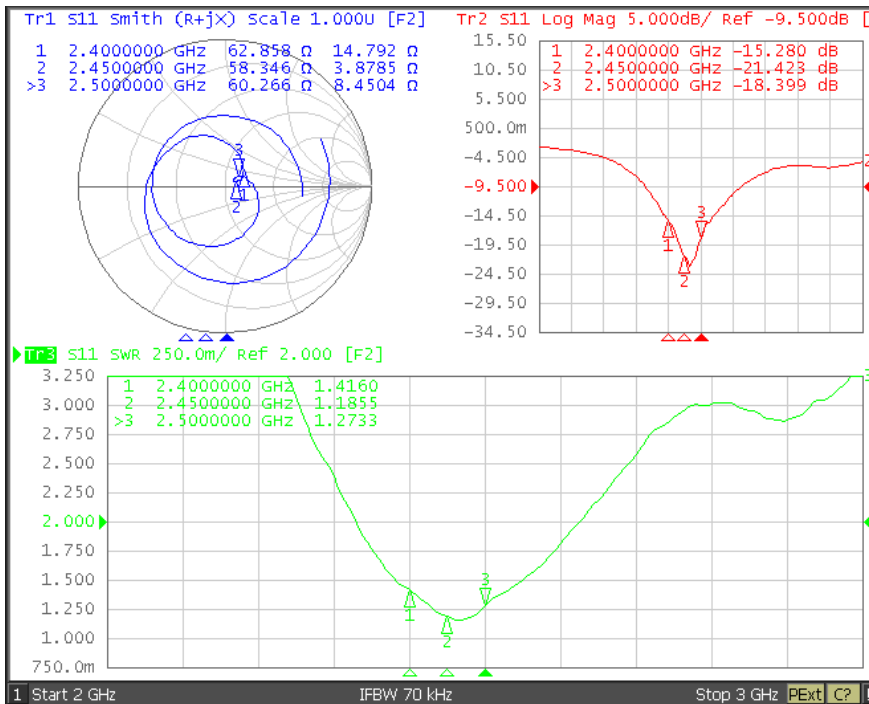
Dimensions:	W9.5xL49.5xT1.5 mm
Weight:	1g
Material:	PCB with RF black coating
Fixing:	EVA foam with adhesive tape
Warranty:	1 Year
Cable:	ϕ 1.13 cable, Color: Black
Cable Length:	80mm



Antenna Dimension (Unit: mm)



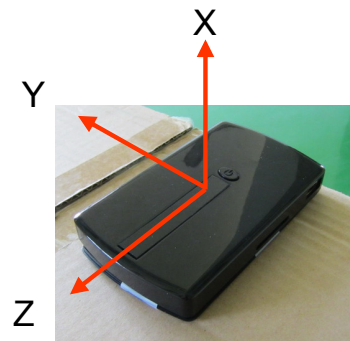
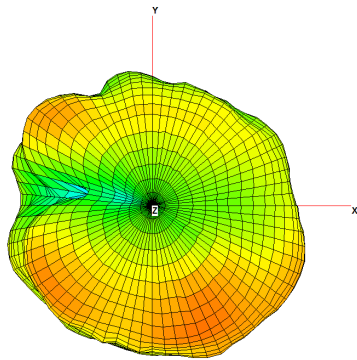
Return Turn/SWR Performance



Gain/Efficiency Performance

Frequency (MHz)	2400	2450	2500
Peak Gain (dBi)	4.54	5.43	4.01
Avg. Gain (dBi)	-2.21	-1.74	-2.84
Efficiency (%)	75.18	83.16	74.95

Radiation Pattern Performance (@2450MHz)



Measurement Orientation

