



Preview Only

# Wireless USB Adapter User Manual

WD02AT

V1.00

# Copyright and disclaimer

## Disclaimer

BenQ Corporation makes no representations or warranties, either expressed or implied, with respect to the contents of this document. BenQ Corporation reserves the right to revise this publication and to make changes from time to time in the contents thereof without obligation to notify any person of such revision or changes.

## Copyright

Copyright 2022 BenQ Corporation. All rights reserved. No part of this publication may be reproduced, transmitted, transcribed, stored in a retrieval system or translated into any language or computer language, in any form or by any means, electronic, mechanical, magnetic, optical, chemical, manual or otherwise, without the prior written permission of BenQ Corporation.

# Product support

This document aims to provide the most updated and accurate information to customers, and thus all contents may be modified from time to time without prior notice. Please visit the website for the latest version of this document and other product information. Available files vary by model.

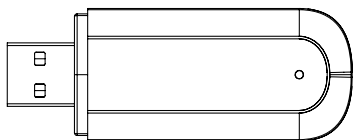
- Make sure your computer is connected to the Internet.
- Visit the local website from [www.BenQ.com](http://www.BenQ.com). The website layout and content may vary by region/country.
- User manual and related document: [www.BenQ.com](http://www.BenQ.com) > **Business** > **SUPPORT** > **Downloads** > model name > **User Manual**
- (EU only) Dismantled information: Available on the user manual download page. This document is provided based on Regulation (EU) 2019/2021 to repair or recycle your product. Always contact the local customer service for servicing within the warranty period. If you wish to repair an out-of-warranty product, you are recommended to go to a qualified service personnel and obtain repair parts from BenQ to ensure compatibility. Do not disassemble the product unless you are aware of the consequences. If you cannot find the dismantled information on your product, contact the local customer service for assistance.

# Table of contents

Copyright and disclaimer .....	i
Product support.....	ii
Package contents.....	1
Wireless connection .....	2
Wi-fi mode .....	2
Hotspot mode.....	3
Product Information.....	4
Specifications.....	4
Dimensions .....	5

# Package contents

Open the sales package and check the contents. If any item is missing or damaged, please contact your dealer immediately.




Wireless USB Adapter



Regulatory Statements

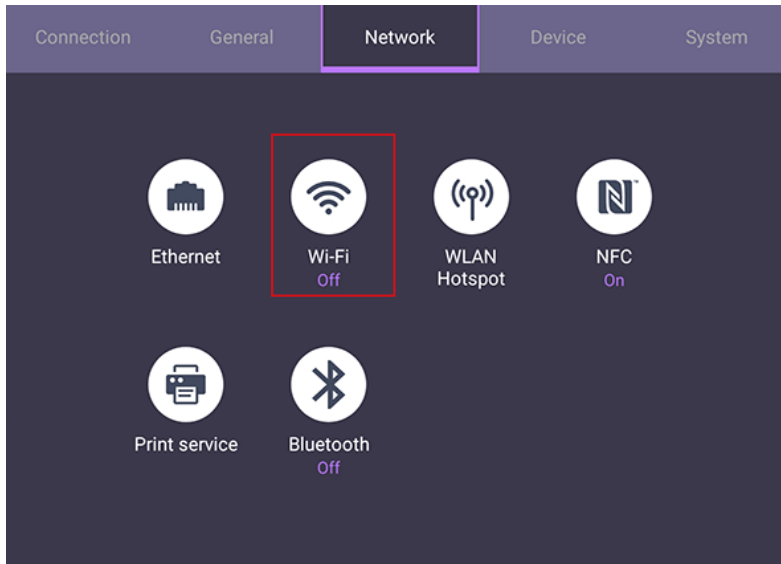


- Dispose of packaging materials wisely. You can recycle the cardboard carton.
- Do not leave plastic bags within reach of young children or babies
-  : Direct Current / DC

# Wireless connection

## Wi-fi mode

1. Insert the wireless adapter to a USB Type-A port on your display.
2. On the display, go to **Settings > Network > WI-Fi**.



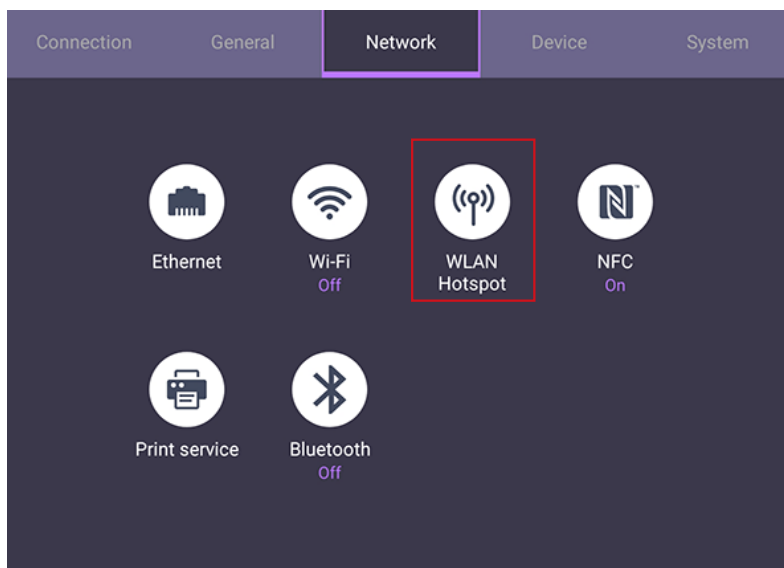
3. The switcher will automatically change to **ON**. A list of available networks will show on the screen.



4. Touch the network's name to connect to the network. The password is needed if it is your first time to use the network. Key in the password and press **Connect**.

# Hotspot mode

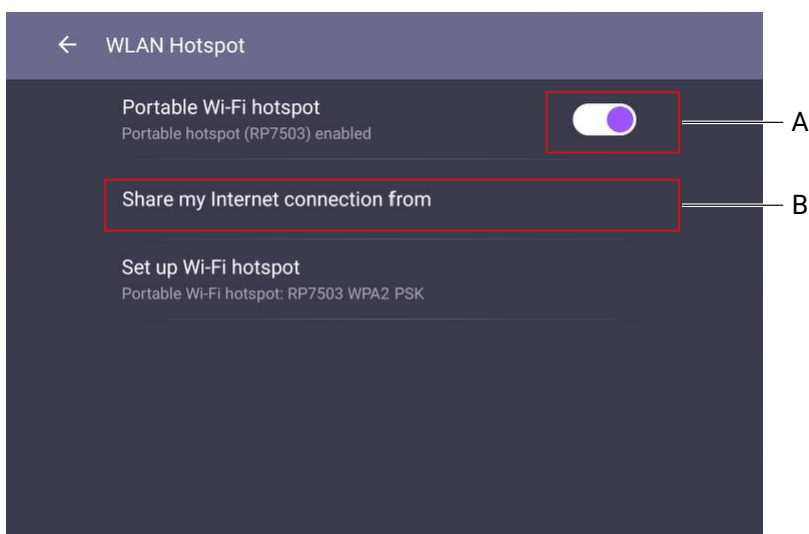
1. On the display, go to **Settings > Network > WLAN Hotspot**



2. Go to **Settings > Network > WLAN Hotspot** to set up your hotspot.

A. Tap to enable **Portable Wi-Fi hotspot**.

B. Tap to choose to share your Internet connection from **LAN or Wi-Fi**.



3. If you choose to share your hotspot via Wi-Fi, go back to **Settings > Network > Wi-Fi** to turn on the Wi-Fi.

# Product Information

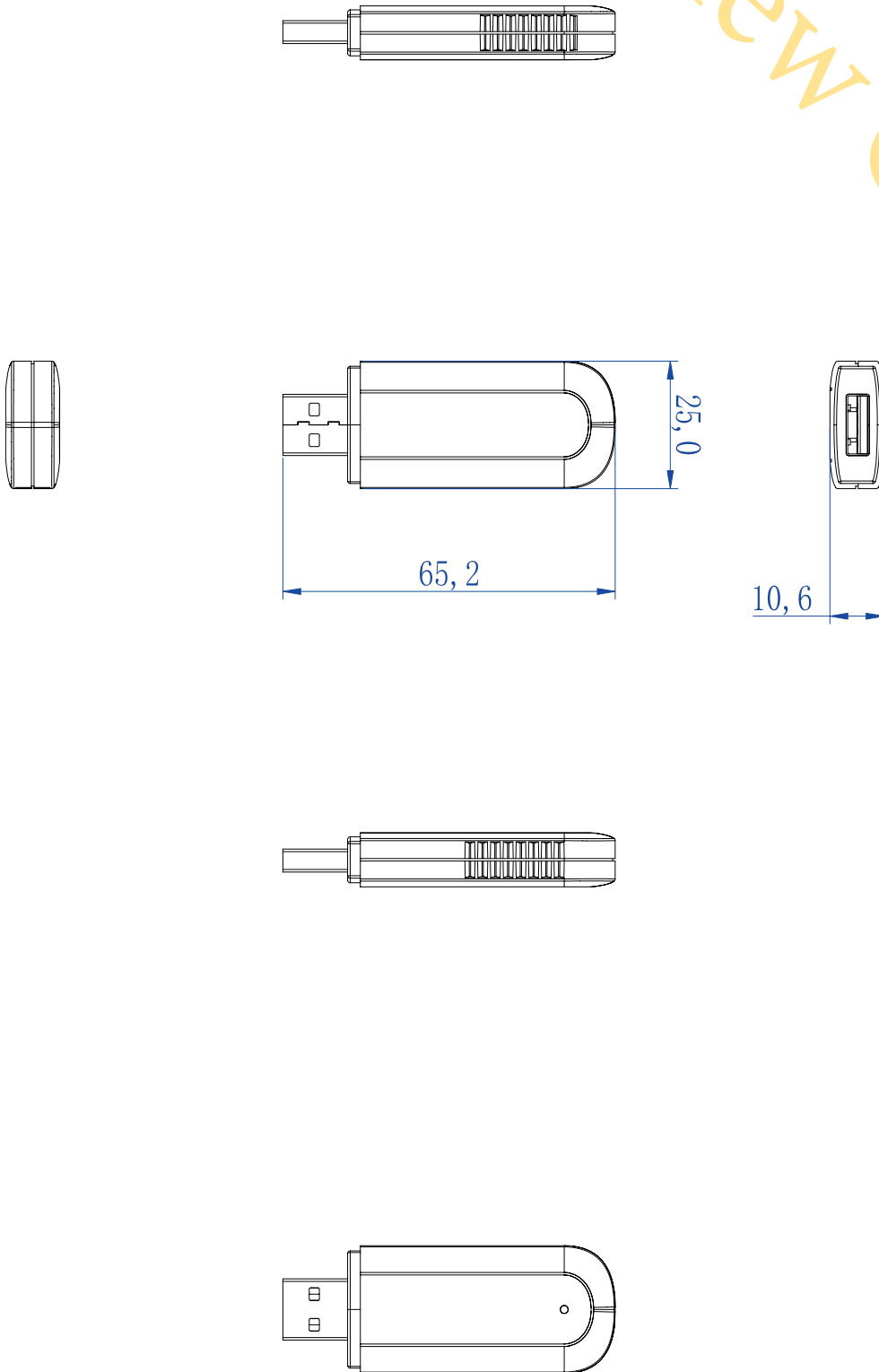
## Specifications

WD02AT	
Color	Black
Wi-Fi Standard	802.11 a/b/g/n/ac/ax
Bluetooth Standard	Bluetooth 5.2
Interface	USB 2.0
Wi-Fi band	Dual Band 2.4GHz / 5GHz
Wi-Fi Performance	2.4 GHz Band: up to 574 Mbps 5 GHz Band: up to 1201 Mbps
Supported OS	Android
Wireless Coverage Reach	Max. 10 m (Between Adapter and IFP)
Security	64/128-bit WEP/ WPA/WPA2/WPA3/ WPA-PSK/WPA2-PSK/ WPS3-PS
Dimension L*H*W	65 x 25 x 11 mm
Net Weight	11 g
Operation Temperature	0°C~45°C
Operation Humidity	10%~80%
Storage Temperature	0°C~70°C
Storage Humidity	10%~90%



# Dimensions

Preview Only



Unit: mm