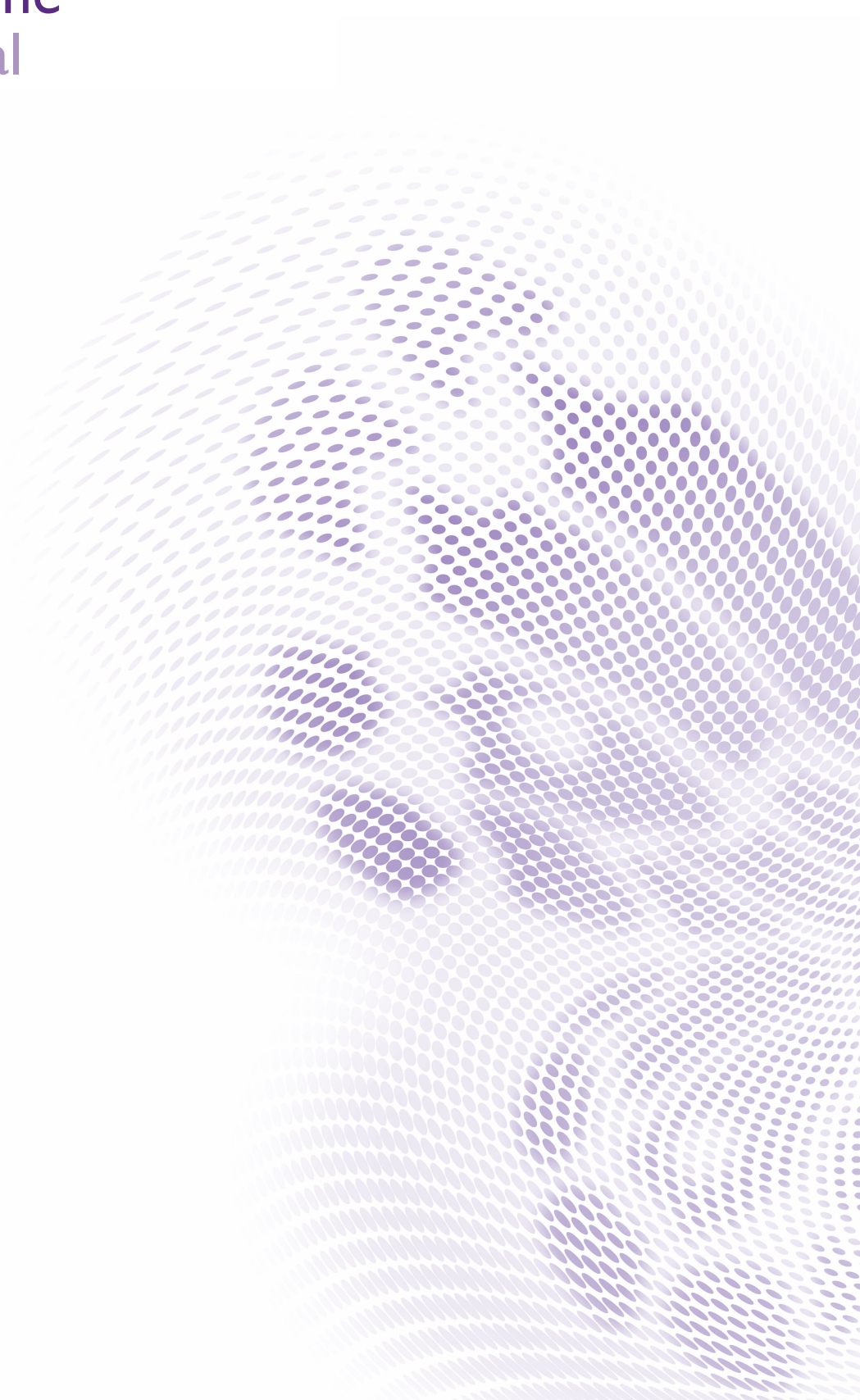




VM01
Speakerphone
User Manual



Copyright and disclaimer




Disclaimer

BenQ Corporation makes no representations or warranties, either expressed or implied, with respect to the contents of this document. BenQ Corporation reserves the right to revise this publication and to make changes from time to time in the contents thereof without obligation to notify any person of such revision or changes.

Copyright

Copyright 2022 BenQ Corporation. All rights reserved. No part of this publication may be reproduced, transmitted, transcribed, stored in a retrieval system or translated into any language or computer language, in any form or by any means, electronic, mechanical, magnetic, optical, chemical, manual or otherwise, without the prior written permission of BenQ Corporation.

Typography

Icon / Symbol	Item	Meaning
	Warning	Information mainly to prevent the damage to components, data, or personal injury caused by misuse and improper operation or behavior.
	Tip	Useful information for completing a task.
	Note	Supplementary information.

In this document, the steps needed to reach a menu are shown in condensed form, for example: **System > Information**.

Product Support

This document aims to provide the most updated and accurate information to customers, and thus all contents may be modified from time to time without prior notice. Please visit the website for the latest version of this document and other product information. Available files vary by model.

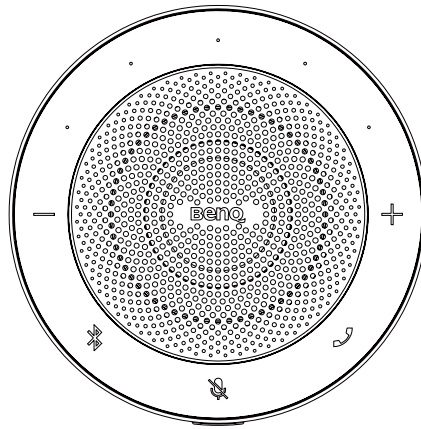
- Make sure your computer is connected to the Internet.
- Visit the local website from www.BenQ.com. The website layout and content may vary by region/country.
- User manual and related document: www.BenQ.com > Business > SUPPORT > Downloads > model name > User Manual
- (EU only) Dismantled information: Available on the user manual download page. This document is provided based on Regulation (EU) 2019/2021 to repair or recycle your product. Always contact the local customer service for servicing within the warranty period. If you wish to repair an out-of-warranty product, you are recommended to go to a qualified service personnel and obtain repair parts from BenQ to ensure compatibility. Do not disassemble the product unless you are aware of the consequences. If you cannot find the dismantled information on your product, contact the local customer service for assistance.

Table of contents

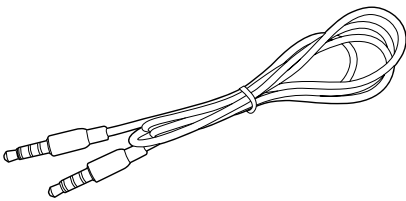
Copyright and disclaimer	i
Product Support	ii
Package contents	1
Overview	2
Charging the speaker	3
Battery status	3
Turning on and off the product.....	4
Connections	5
Pairing and connecting Bluetooth devices	5
Connecting to smartphone/PC	5
Connecting to PC/display with USB adapter.....	5
Bluetooth LED indicator behavior.....	5
Connecting to your device using a cable	6
Operations	6
Adjusting volume level.....	6
Answering/Hanging up calls.....	6
Product information	7
Dimensions	8
Troubleshooting	9

Package contents

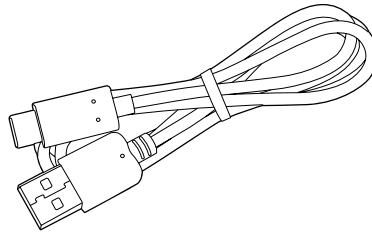
Open the sales package and check the contents. If any item is missing or damaged, please contact your dealer immediately.



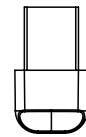
Speakerphone



Audio cable x1



Type-A to Type-C USB cable x1



USB audio dongle



Quick start guide



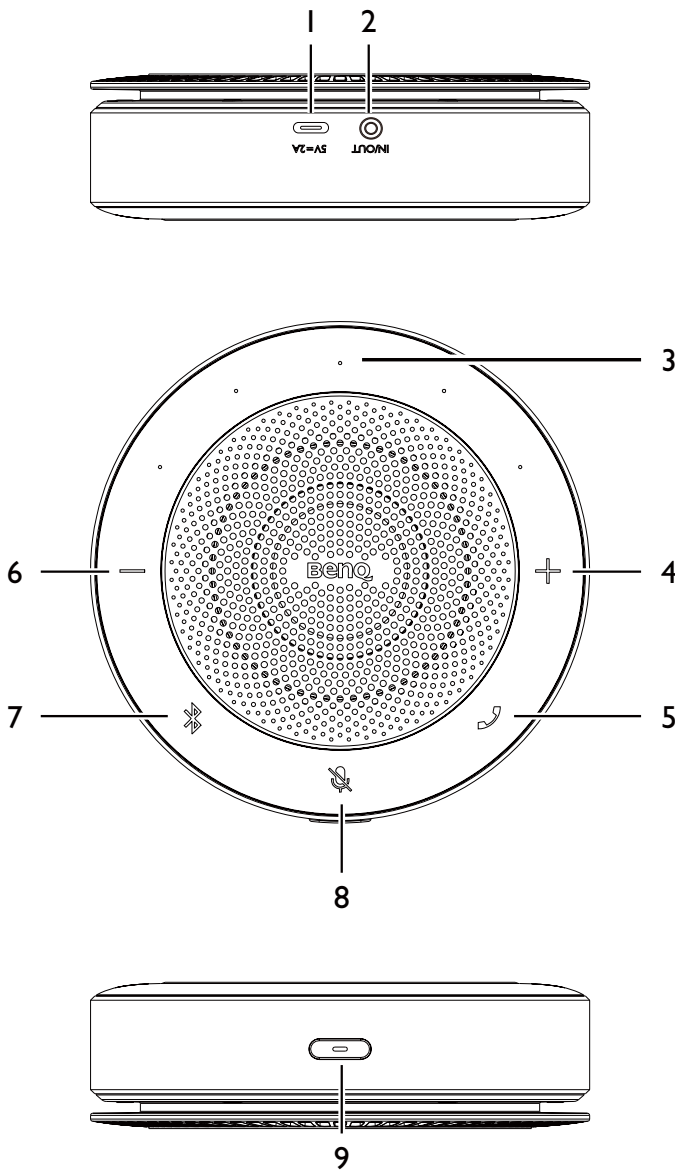
Regulatory statements



- Before discarding the package, check that you haven't left any accessories inside the box.
- Dispose of packaging materials wisely. You can recycle the cardboard carton. Consider storing the package (if possible) for future transport of the display.
- Do not leave plastic bags within reach of young children or babies.

Overview

See [Connections on page 5](#) for connection details.



Connectors

1. **USB Type-C connector**
2. **3.5 mm audio input/output port**
Connect to external audio equipment.

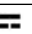

LED indicators

3. **Battery/Volume status**
See [Battery status on page 3](#) & [Adjusting volume level on page 6](#) for details.

Buttons

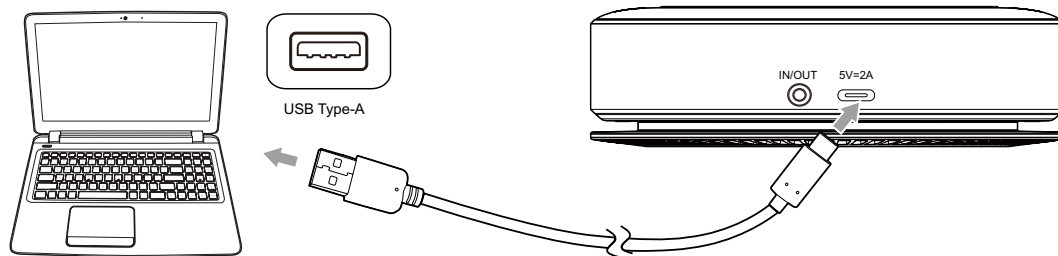
4. **Volume up**
5. **Answer/End call**
See [Answering/Hanging up calls on page 6](#) for details.
6. **Volume down**
7. **Bluetooth**
Press to connect with Bluetooth device. See [Pairing and connecting Bluetooth devices on page 5](#) for details.
8. **Mute/Unmute**
Press to mute or unmute the microphone.
9. **Power**
Press and hold for 2 seconds to turn it on or off.



- USB 2.0= 5V  2A
-  : Direct Current / DC
- The maximum length for the cables to be used with the USB slots are 3m (USB 2.0).

Charging the speaker

Plug the product into a USB power source using the provided USB cable. If the battery is charging, the LED of the power button will be flashing.



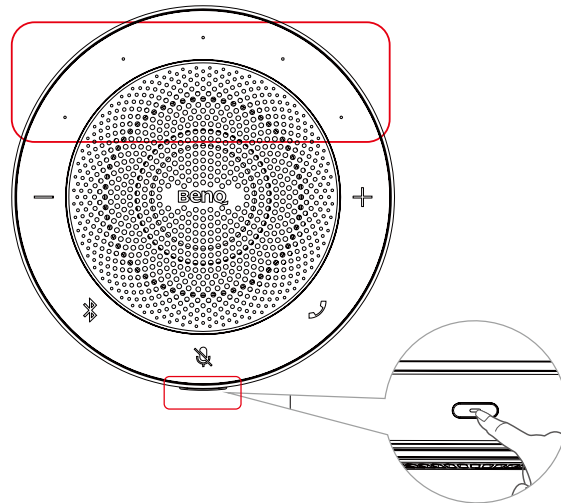
It takes the battery about 4 hours to fully charge when not in use. A fully charged battery can power the speaker for up to 8 hours.



To prevent the battery from running out of power, the product needs to be charged if it has not been used for more than six months.

Battery status

To view the current battery status, short press the power button. The LEDs around the edge of the product will light up to indicate the current battery status.

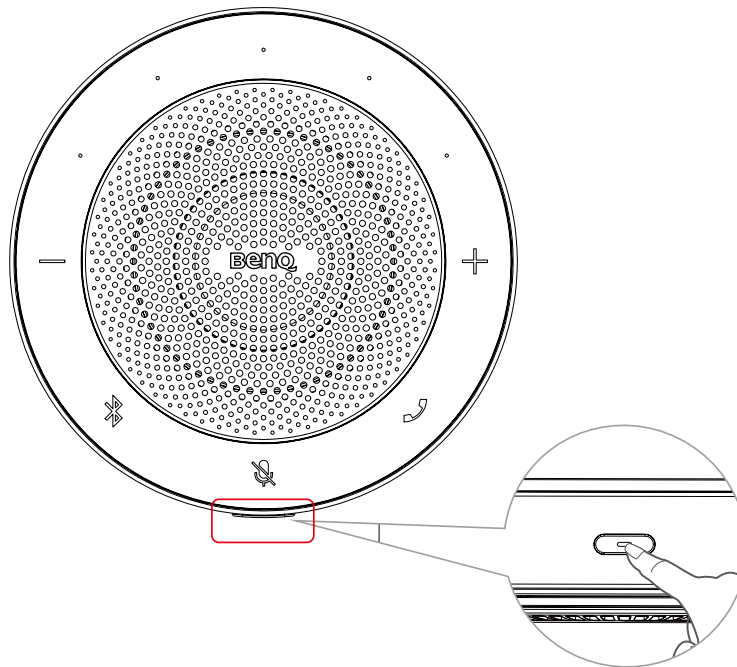


LED indicator	Battery status
● ● ● ● ●	Battery is at 80-100% charge.
● ● ● ● ○	Battery is at 60-80% charge.

LED indicator	Battery status
● ● ● ○ ○	Battery is at 40-60% charge.
● ● ○ ○ ○	Battery is at 20-40% charge.
● ○ ○ ○ ○	Battery is at 0-20% charge.

Turning on and off the product

To turn on or off the product, press and hold power button for 2 seconds.



Anytime the product is inactive for 15 minutes, it will automatically turn off.

Connections

Pairing and connecting Bluetooth devices

Connecting to smartphone/PC

1. Long press the Bluetooth button to turn Bluetooth on or off.
2. The Bluetooth LED flashes blue to indicate that the product is in pairing state.
3. Enable Bluetooth function on mobile phone or other devices. Select “**BenQ VM01 Speakerphone**” from the device list to connect with the product.
4. Once your device is successfully connected to the product, the Bluetooth LED indicator turns solid blue.

Connecting to PC/display with USB audio dongle

1. Plug the USB audio dongle into the USB port of your PC or display.
2. The product and the USB audio dongle are pre-paired and ready to use.

 Ensure that the product is set as the playback device in your operating system's audio settings.

Resetting the product and the USB audio dongle

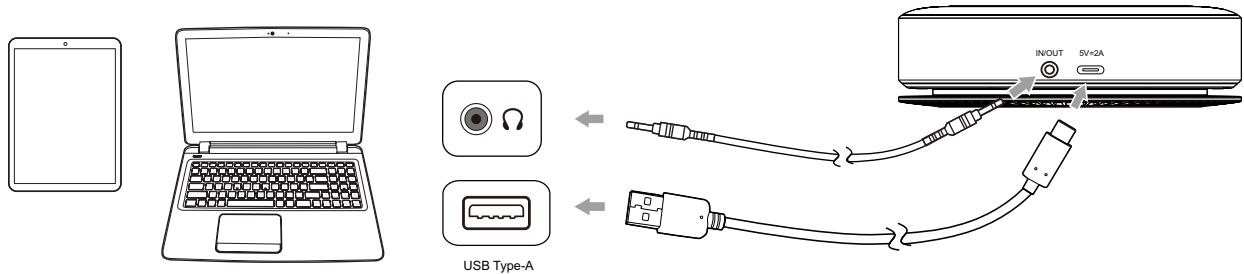
1. Long press and hold the Bluetooth button for 9 seconds until the Bluetooth LED flashes white.
2. Re-plug the USB audio dongle to your PC or display.
3. Then the speakerphone and the USB audio dongle will be rebound successfully within 30 seconds.

Bluetooth LED indicator behavior

LED indicator	Speaker status
Off	Bluetooth off
Solid blue	Connected with your device
Flashing blue	Waiting for Bluetooth connection
Flashing white	Waiting to pair with USB audio dongle

Connecting to your device using a cable

Plug the product into either a USB or audio port on your device. Set the product as the playback device in your operating system's audio settings.




Operations


Adjusting volume level


The speaker's volume has a range of 10 levels. Press either the volume up or down button to adjust the volume incrementally.

Once the speaker has reached its highest (10) volume level, it will emit a sound when the volume up button is pushed.

Answering/Hanging up calls

When there is an incoming call, press  to answer the call.

During a calling state, press  to hang up the call.

When there is an incoming call, long press and hold  for 3 seconds to reject the call.

Product information

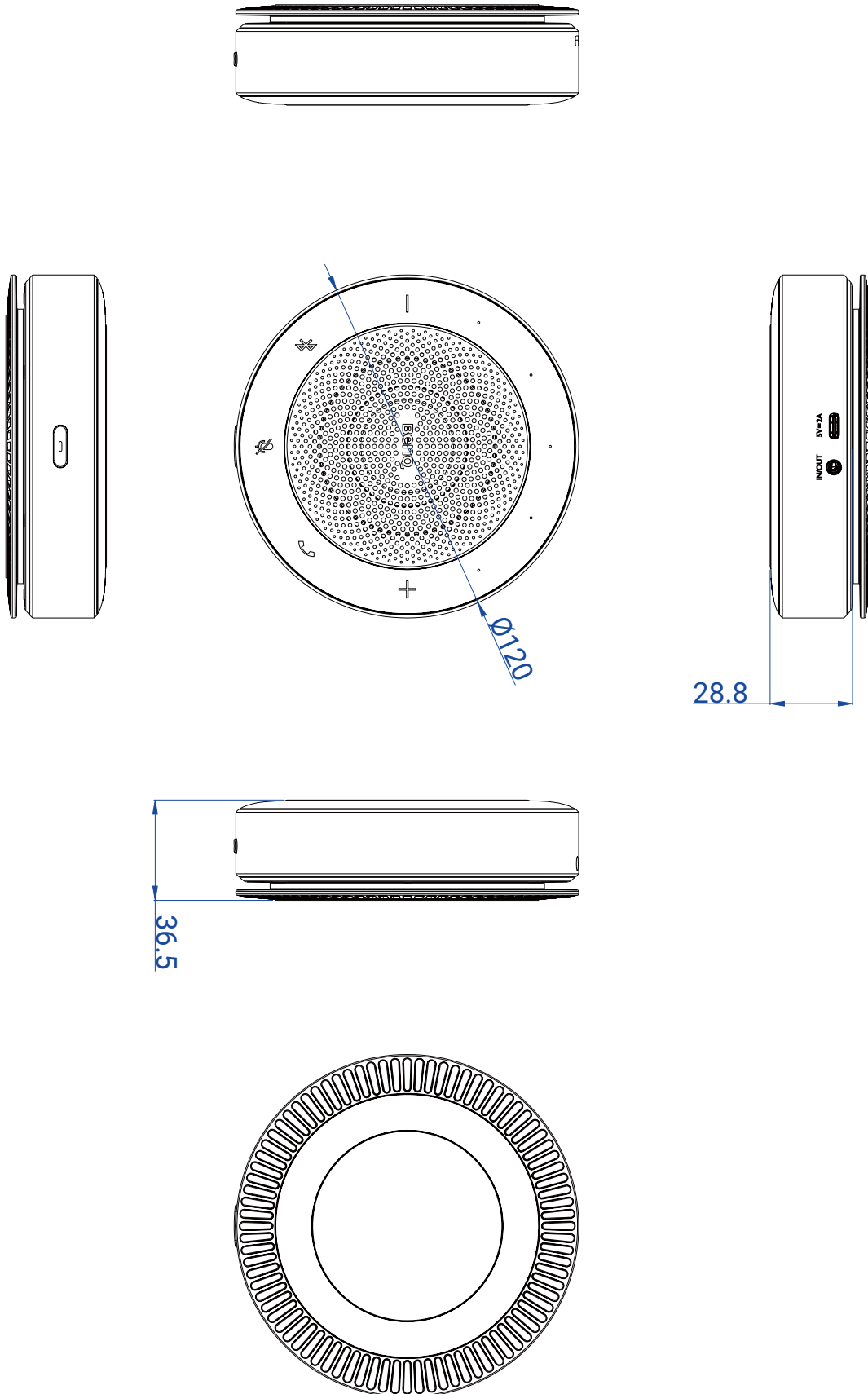
Specifications

		Specifications
		VM01
Speaker	Output Power	5 W
	Frequency Response	150 Hz - 16 kHz
Audio	Microphone	6 microphone array
	Pickup Distance	5 m
	Frequency	150 Hz - 8 kHz
	Voice optimization	Acoustic noise cancellation Noise reduction
Connectivity	IO Port	USB type C (for audio in/out & charging) AUX 3.5 mm in/out"
	Bluetooth	Bluetooth 4.2 with EDR
Battery	Talk Time	8 h
	Wired charging	5V/2A
Mechanical	Dimensions (WxHxD)	121 x 121 x 35 mm
	Weight	380 g
Environment	Operating Temperature	0°C ~ 40°C
	Operating Humidity	10% ~ 90%
	Storage Temperature	-10°C ~ 60°C
	Storage Humidity	10% ~ 90%
Accessory	USB Audio Dongle	x1
	USB type C cable	x1
	Audio cable	x1
	QSG	x1
	Regulatory statement	x1



Specifications and functions are subject to change without notice

Dimensions



Unit: mm

Troubleshooting

Problem	Possible cause & Solution
Unable to turn on the speaker	Low or no electricity. Connect the adapter to charge.
Shut down automatically after not using for a while	Connect the adapter to charge to make sure the electric quantity is sufficient.
No sound	<ul style="list-style-type: none"> • Select the correct sound source input. • Adjust the volume of the speaker.
Unable to work with USB cable	Use the original USB cable to make a call.
Unable to work with audio cable	Use the original audio cable (4 sections) to make a call.
Buttons not responding	Long press and hold the power button for 8 seconds to reset the system.
Unable to charge the speaker	The charging device is in fault or the battery is already full. Replace it with a charging device with normal functions.