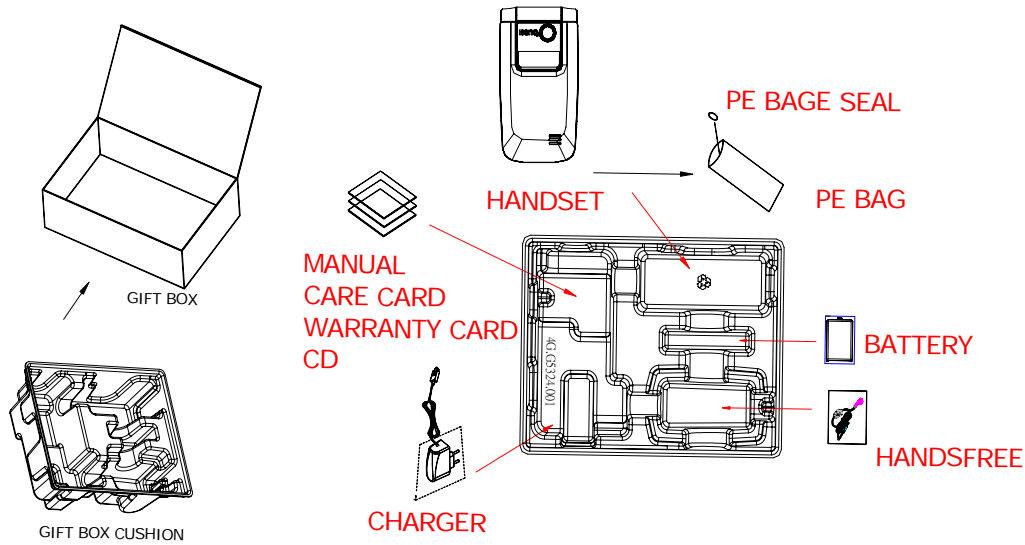


□ Product System (PS)

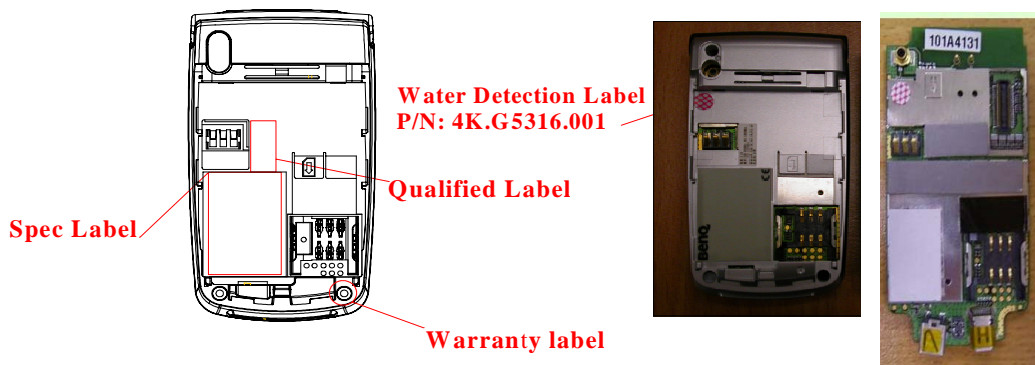
Subject:	C3-309 Packing Description	Part No.:	9J.G0M21.000	Rev.:	1
		Doc. No.:	9J.G0M21.000-C3-309-001		
Project Code:	9J.G0M21.001	Component Part.:	NA	Page 1 of 11	
		No.:			
Model Name: HERC1					

1. GIFT BOX PACKING DESCRIPTION



實際出貨請對照 check list

2. HANDSET LABEL LOCATION



LABEL Information: BSN S/N: 99G9421XXX 5XX XXXXX H XXXXX
P/N YW S/N Plant Ver.
GSN S/N: GSDM500001TG0
IMEI: 35600100XXXXXXX

P.S BSN and GSN will run change

2.1 SPEC LABEL

2.1.1 SPEC LABEL FOR TWN ONLY

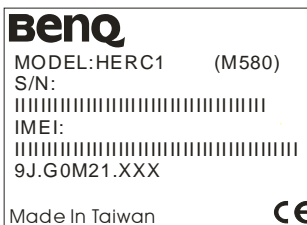
Product System (PS)

Subject:	C3-309 Packing Description	Part No.:	9J.G0M21.000	Rev.:	1
		Doc. No.	9J.G0M21.000-C3-309-001		
Project Code:	9J.G0M21.001	Component Part.	NA		Page 2 of 11
		No.:			

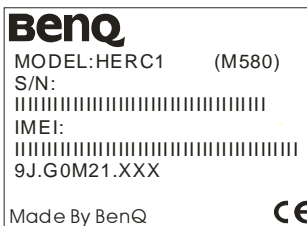
Model Name: **HERC1**



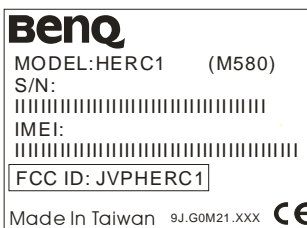
2.1.2 SPEC LABEL FOR ASIA/TURKEY /EUROPE/ITALY



2.1.3 SPEC LABEL FOR INDIA/BQME



2.1.4 SPEC LABEL FOR USA



2.1.5 SPEC LABEL FOR BOUYGUES

N/A

2.1.6 SPEC LABEL FOR UNIVERSAL

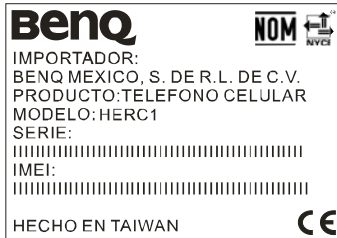
N/A

2.1.7 SPEC LABEL FOR MEXICO

☐ Product System (PS)

Subject: C3-309 Packing Description	Part No.: 9J.G0M21.000	Rev.: 1
	Doc. No. 9J.G0M21.000-C3-309-001	
Project Code: 9J.G0M21.001	Component Part. NA	Page 3 of 11
	No.:	

Model Name: **HERC1**

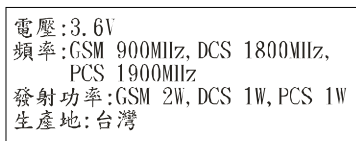


NOTE: (IMEI: 35XXXXX00XXXXXXX)

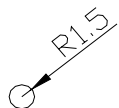
2.1.8SPEC LABEL FOR RUSSIA

N/A

2.2QUALIFIED LABEL FOR TWN ONLY



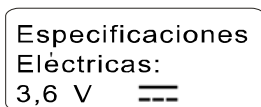
2.3WARRANTY SEAL



2.4WATER DETECTION LABEL (P/N: 4K.G5316.001)



2.5 電信 LABEL (ONLY FOR MEXICO)

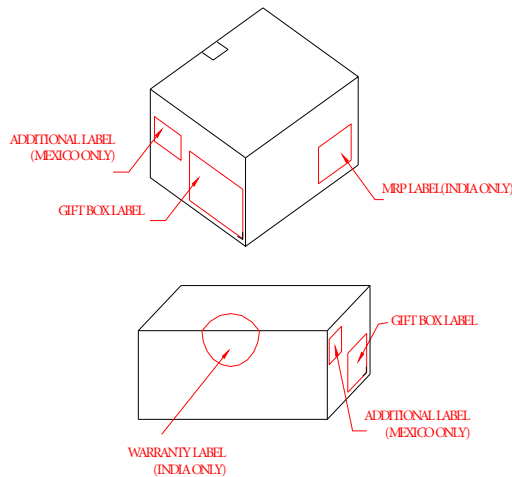


3. GIFT BOX LABEL LOCATION

Product System (PS)

Subject: C3-309 Packing Description	Part No.: 9J.G0M21.000	Rev.: 1
	Doc. No. 9J.G0M21.000-C3-309-001	
Project Code: 9J.G0M21.001	Component Part. NA	Page 4 of 11
	No.:	

Model Name: **HERC1**



3.1 GIFT BOX LABEL

3.1.1 GIFT BOX LABEL FOR TWN/ASIA

M 580 GSM 900/1800/1900	Color:	
P/N:	<input type="checkbox"/> A	IMEI: <input type="text"/>
Model:	<input type="checkbox"/> B	IMEI: <input type="text"/>
Ver:	<input type="checkbox"/> C	IMEI: <input type="text"/>
IMEI:		
S/N:		
		Made In Taiwan

3.1.2 GIFT BOX LABEL FOR INDIA/BQME

M 580 GSM 900/1800/1900	Color:	
P/N:	<input type="checkbox"/> A	IMEI: <input type="text"/>
Model:	<input type="checkbox"/> B	IMEI: <input type="text"/>
Ver:	<input type="checkbox"/> C	IMEI: <input type="text"/>
IMEI:		
S/N:		
		Made By BenQ

3.1.3 GIFT BOX LABEL FOR TURKEY (about the EAN Code references the checklist please)

M580 GSM900/1800/1900	Color:	
P/N:	<input type="checkbox"/> A	BenQ M350 35610000XXXXXX <input type="text"/>
Model:	<input type="checkbox"/> B	BenQ M350 35610000XXXXXX <input type="text"/>
Ver:	<input type="checkbox"/> C	BenQ M350 35610000XXXXXX <input type="text"/>
IMEI:		
S/N:		
		Made In Taiwan

3.1.4 GIFT BOX LABEL FOR EUROPE (about the EAN Code references the checklist please)

N/A

Product System (PS)

Subject:	C3-309 Packing Description	Part No.:	9J.G0M21.000	Rev.:	1
		Doc. No.	9J.G0M21.000-C3-309-001		
Project Code:	9J.G0M21.001	Component Part.	NA		Page 5 of 11
		No.:			
Model Name: HERC1					

3.1.5 GIFT BOX LABEL FOR ITALY (about the EAN Code references the checklist please)

N/A

3.1.6 GIFT BOX LABEL FOR USA

N/A

3.1.7 GIFT BOX LABEL FOR BYG (about the EAN Code references the checklist please)

N/A

3.1.8 GIFT BOX LABEL ONLY FOR UNIVERSAL (about the EAN Code references the checklist please)

N/A

3.1.9 GIFT BOX LABEL FOR MEXICO

M580 GSM900/1800/1900	Color:	
IMPORTADOR: BenQMEXICANA, S.A. de C.V. HOME NO.440 PH.1205 COL. POLANCO CHAPUL. TERC. DEL MIGUEL HIDALGO, MEXICO D.F. 11500 PRODUCTO TELEFONO CELULAR MARCA: BenQ MODELO: VERSION: P/N: IMEI: SN:		
A	IMEI:	
B	IMEI:	
C	IMEI:	

NOTE: IMEI: 35XXXXX00XXXXXXX

3.1.10 GIFT BOX LABEL FOR HK (about the EAN Code references the checklist please)

N/A

3.1.11 GIFT BOX LABEL FOR RUSSIA

N/A

3.2 MRP LABEL FOR GIFT BOX (INDIA ONLY)

Name & Address of the Importer: Neoteric informatique pvt. ltd., 225, 2nd floor, Chintamani Plaza, Off. Andheri-Kurla Road, Andheri(East) Mumbai- 400 099 Name & Address of Manufacturer: BenQ Corporations . 157 Shan-Ying Road, Gueishan ,Taoyuan 333, Taiwan. Prod. Description: BenQ M580 Mobile Phone Qty: Month and Yr of Import: 06/2004 Month and Yr of Manufacture: 06/2004 MRP Kerala, Orissa, Bihar, Assam, Jharkhand (Inclusive of all taxes): Rs. 9490/- MRP Rest of India (Inclusive of all taxes): Rs. 8490/-
--

□ Product System (PS)

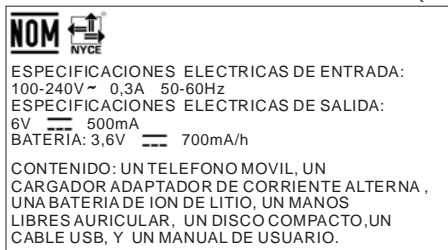
Subject:	C3-309 Packing Description	Part No.:	9J.G0M21.000	Rev.:	1
		Doc. No.	9J.G0M21.000-C3-309-001		
Project Code:	9J.G0M21.001	Component Part.	NA		Page 6 of 11
		No.:			
Model Name:	HERC1				

The information of Qty and MRP value needs to match the GB real contents and it must reference the “check list” please.

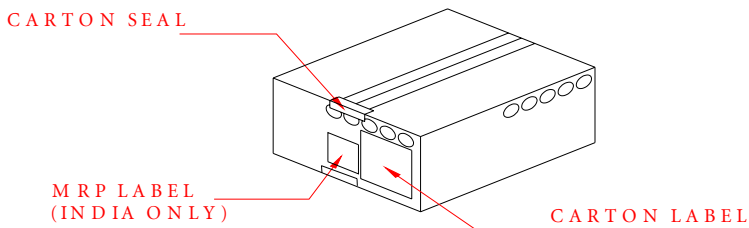
3.3 WARRANTY LABEL (INDIA ONLY)



3.4 ADDITIONAL LABEL(MEXICO ONLY)



4. CARTON LABEL LOCATION



4.1 CARTON LABEL

4.1.1 CARTON LABEL FOR TWN/EUROPE/ASIA/TURKEY

Product System (PS)

Subject: C3-309 Packing Description	Part No.: 9J.G0M21.000	Rev.: 1
	Doc. No. 9J.G0M21.000-C3-309-001	
Project Code: 9J.G0M21.001	Component Part. NA	Page 7 of 11
	No.:	

Model Name: HERC1

M580 GSM 900/1800/1900	Data Code: Year.Month	CE
Part No.:	Stock No.:	
	Color:	
	Carton ID	

SN	IMEI
SN	IMEI
SN	IMEI
SN	IMEI
SN	IMEI
SN	IMEI
SN	IMEI
SN	IMEI
SN	IMEI

QTY:10 Ver: Made In Taiwan

4.1.2 CARTON LABEL FOR MEXICO

M580 GSM 900/1800/1900	Date Code: Year.Month	CE
Part No.:	Stock No.:	
	Color:	
	Carton ID	

SN	IMEI
SN	IMEI
SN	IMEI
SN	IMEI
SN	IMEI
SN	IMEI
SN	IMEI
SN	IMEI

QTY:10 Ver: Made In Mexico

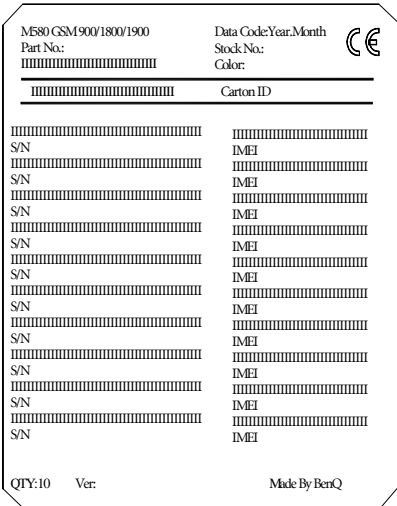
NOTE: IMEI: 35XXXX00XXXXXX

4.1.3 CARTON LABEL FOR INDIA/BQME

Product System (PS)

Subject: C3-309 Packing Description	Part No.: 9J.G0M21.000	Rev.: 1
	Doc. No. 9J.G0M21.000-C3-309-001	
Project Code: 9J.G0M21.001	Component Part. NA	Page 8 of 11
	No.:	

Model Name: HERC1



4.1.4 CARTON LABEL FOR ITALY

N/A

4.1.5 CARTON LABEL FOR USA

N/A

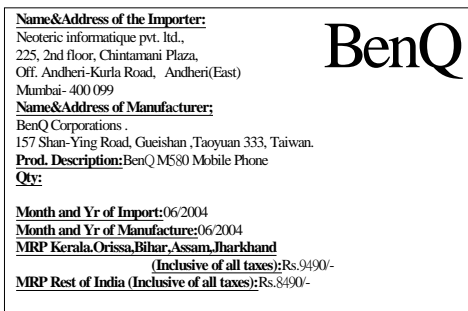
4.1.6 CARTON LABEL FOR BYG (about the EAN Code references the checklist please)

N/A

4.1.7 CARTON LABEL ONLY FOR UNIVERSAL (about the EAN Code references the checklist please)

N/A

4.2 MRP LABEL FOR CARTON (INDIA ONLY)



The information of Qty and MRP value needs to match the CTN real contents and it must reference the "check list" please.

4.3 CARTON SEAL

□ Product System (PS)

Subject:	C3-309 Packing Description	Part No.:	9J.G0M21.000	Rev.:	1
		Doc. No.:	9J.G0M21.000-C3-309-001		
Project Code:	9J.G0M21.001	Component Part.:	NA	Page	9 of 11
		No.:			
Model Name:	HERC1				

If the word "OPENED" appears
or the seal breaks

DO NOT ACCEPT PARCEL

5. SEA AND AIR PALLET LOADING DRAWING

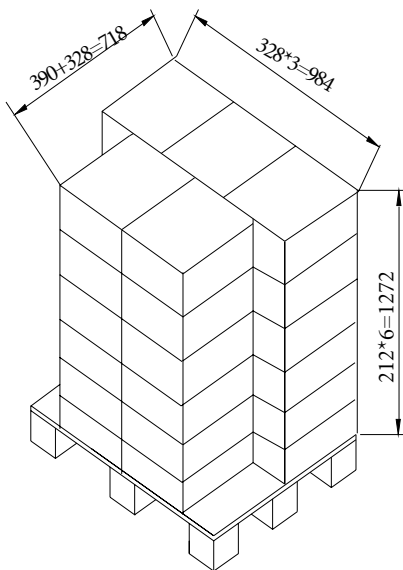
5.1.1 Pallet Dimension: Inside-1065*735*1365mm (+/-15mm) 板厚-40mm (+/-2mm)

5.1.2 Carton Cross weight: 4.68KG

5.1.3 Carton reference layer: 6 layers

5.1.4 There are cartons $5*6*(10) = 300$ (sets) in each pallet.

5.1.5 請於高木箱外加上打包繩



Pallet dim.:Outside:1180*850*1500mm

5.2 ONLY FOR THAILEND(請加 OVERPACK,透明膠膜和打包繩)

5.2.1 Pallet Dimension: 1040*830*120 mm

5.2.2 Carton Cross weight: 4.68KG

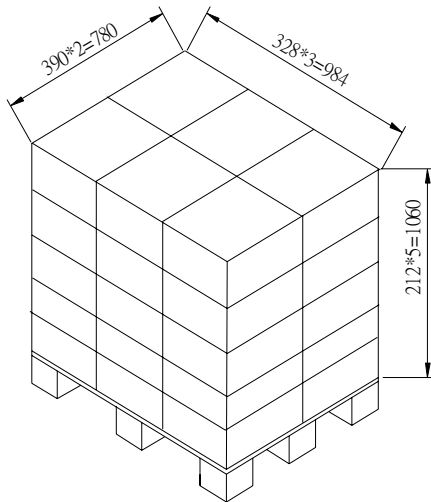
5.2.3 Carton reference layer: 5 layers

5.2.4 There are cartons $2*3*5*(10) = 300$ (sets) in each pallet.

5.2.5 請加 Over pack.透明膠膜和打包繩

□ Product System (PS)

Subject:	C3-309 Packing Description	Part No.:	9J.G0M21.000	Rev.:	1
		Doc. No.:	9J.G0M21.000-C3-309-001		
Project Code:	9J.G0M21.001	Component Part.:	NA		Page 10 of 11
		No.:			
Model Name: HERC1					



ONLY FOR THAIEND

5.3 ONLY FOR BYG

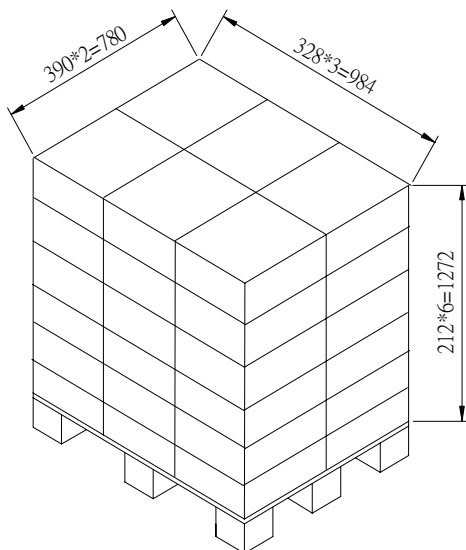
5.3.1 Pallet Dimension: 1200*800*120 mm

5.3.2 Carton Cross weight: 4.68KG

5.3.3 Carton reference layer: 5 layers

5.3.4 There are cartons $2*3*6*(10) = 360$ (sets) in each pallet.

5.3.5請加Over pack.透明膠膜和打包繩. 防拆標籤



5.4 Others Country(請加 OVERPACK,透明膠膜和打包繩)

□ Product System (PS)

Subject:	C3-309 Packing Description	Part No.:	9J.G0M21.000	Rev.:	1
		Doc. No.:	9J.G0M21.000-C3-309-001		
Project Code:	9J.G0M21.001	Component Part.:	NA	Page	11 of 11
		No.:			

Model Name: **HERC1**

SEA Pallet Loading Drawing			
Pallet A		Pallet B	
Length	1040mm	Length	0mm
Width	830mm	Width	0mm
Height	2028mm	Height	0mm
Layers	9Layers	Layers	0Layers
212mm		0mm	
328mm 390mm		0mm	

AIR Pallet Loading Drawing			
Pallet A		Pallet B	
Length	1040mm	Length	0mm
Width	830mm	Width	0mm
Height	1392mm	Height	0mm
Layers	6Layers	Layers	0Layers
212mm		0mm	
328mm 390mm		0mm	

6. 20' AND 40' CONTAINER LOADING DRAWING

20' Container Loading Drawing				
Pallet A X 12		Length(mm)	Width (mm)	Height(mm)
Original	Rotated	Container Size	5,890	2,300
		Available Range	5,840	2,280
Pallet B X 12				
Original	Rotated			

40' Container Loading Drawing				
Pallet A X 12		Length(mm)	Width (mm)	Height(mm)
Original	Rotated	Container Size	12,000	2,300
		Available Range	11,900	2,280
Pallet B X 12				
Original	Rotated			