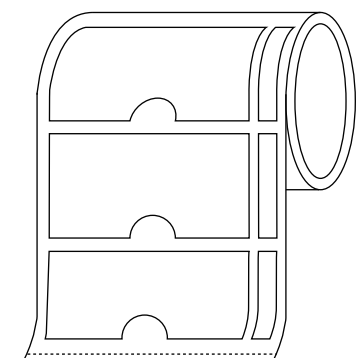
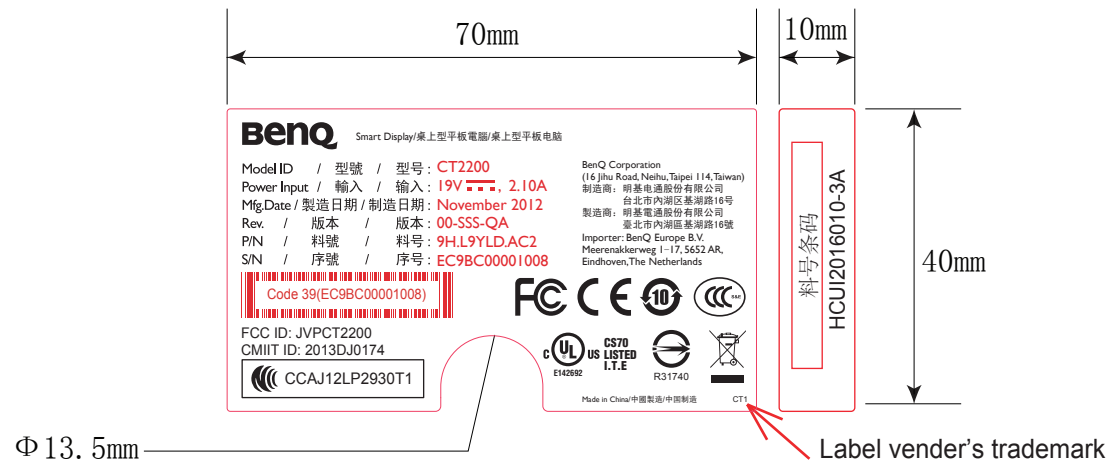


REVISIONS			
LTR	DESCRIPTION	DATE	APP
3B			
3C			
3D			



- Note:
- 1.MATERIAL: 50#不变色反银龙+25#可打印雾P
 - 2.ADHESIVE BASE:ACRYLIC
 - 3.BACKGROUND COLOR: ORIGINAL
 - 4.TEXT COLOR:BLACK
 - 5.红色部份为工厂列印
 - 6.FILE NO.: HCUI2016010

1	HCUI2016010	RATING LABEL_PL UI2C(HCUI2016,R3B)							
ITEM	PART NO.	DESCRIPTION							
Quanta Computer Inc.								MODEL	
								UI2C	
RANGE	TOLERANCE	NAME	RATING LABEL_PL UI2C				UNIT	MM	APPROVED
0-10	±0.10	TOL.±	1 PLC	2 PLC	ANGLE			DESIGNED KENT	
10-50	±0.15	MATERIAL	50#不变色反银龙+25#可打印雾P				SCALE	1:1	DRAWN KENT
50-100	±0.20	FINISH					DATE	2013-04-02	REV. 3B
100-	±0.25	A4	THIRD ANGLE PROJECTION				DWG NO.	HCUI2016	1/1