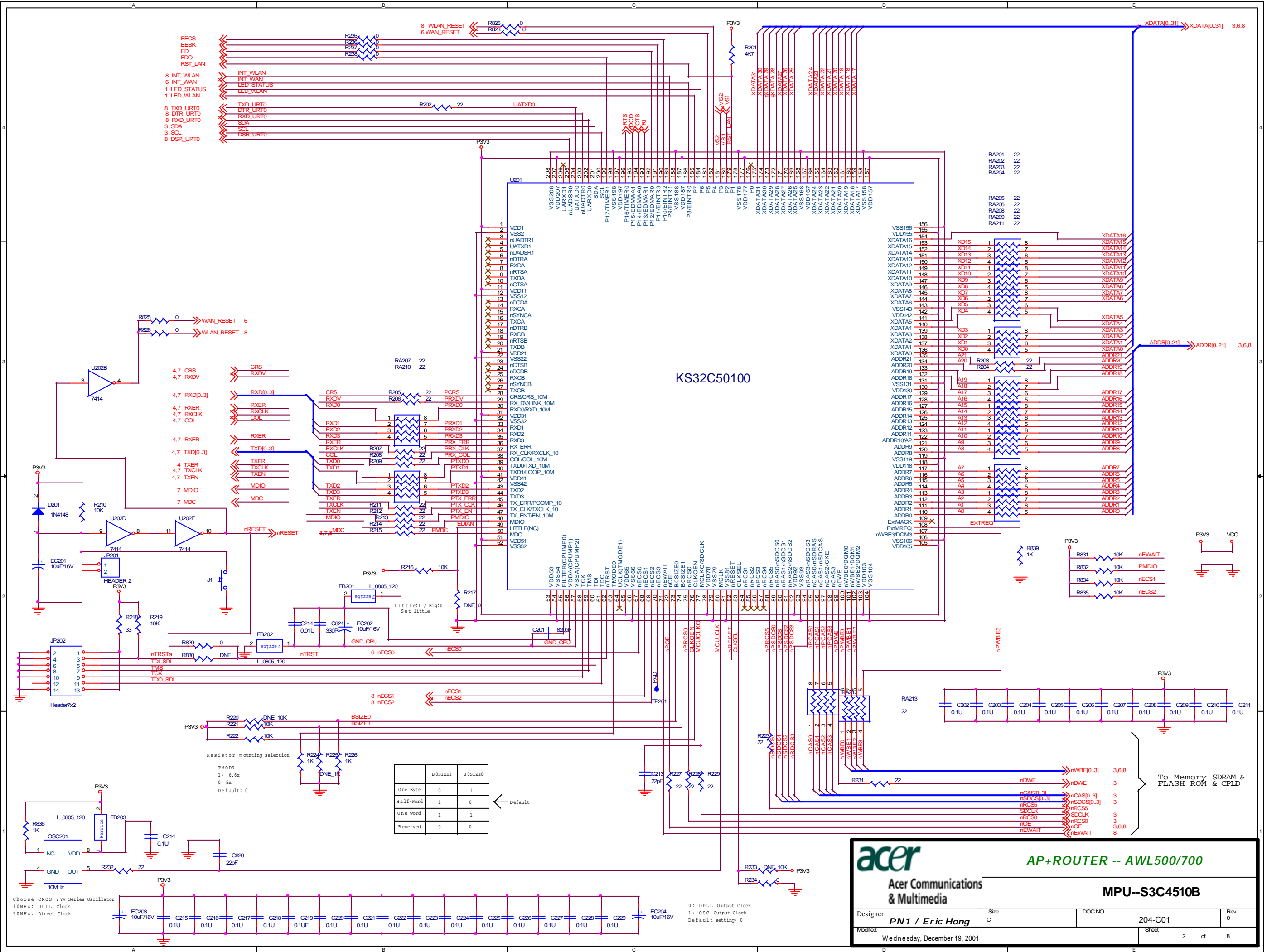


Remove R107 if
SI9435
is used

8.25K if
3.3V output

 Acer Communications & Multimedia		AP + ROUTER -- AWL500/700						
		POWER						
Designer	PN1 / Eric Hong		Size	C	DOC NO	204-C01	Rev	0
Modified	Wednesday, December 19, 2001		Sheet		1 of		8	



Choose CMOS ??V Series Oscillator
 10MHz: DPLL Clock
 50MHz: Direct Clock

0: DPLL Output Clock
 1: OSC Output Clock
 Default setting: 0

Resistor mounting selection
 TMODE
 1: 6.6x
 0: 5x
 Default: 0

	B0SIZE1	B0SIZE0
One Byte	0	1
Half-Word	1	0
One word	1	1
Reserved	0	0

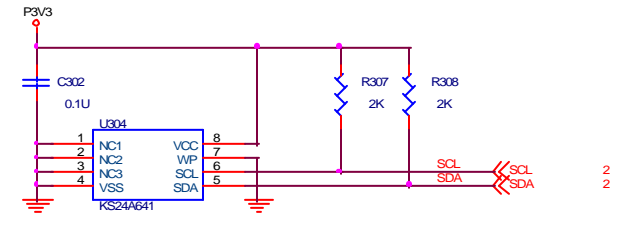
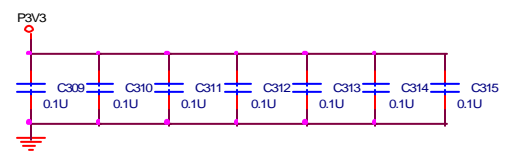
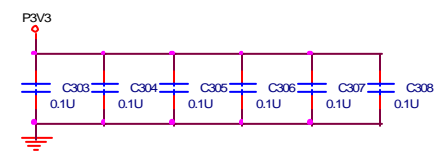
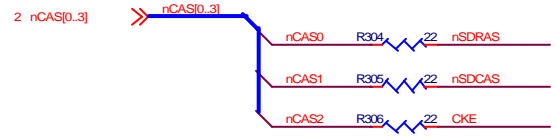
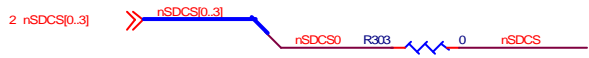
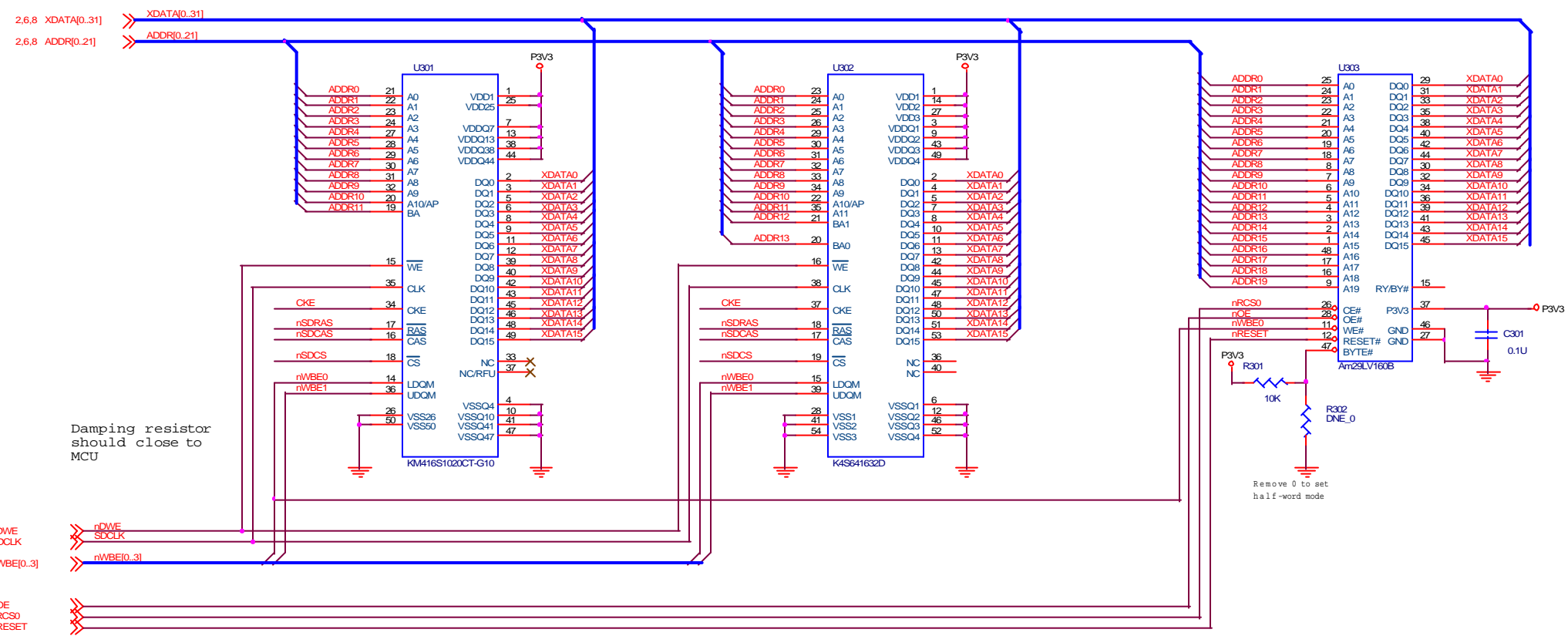
← Default

AP+ROUTER -- AWL500/700

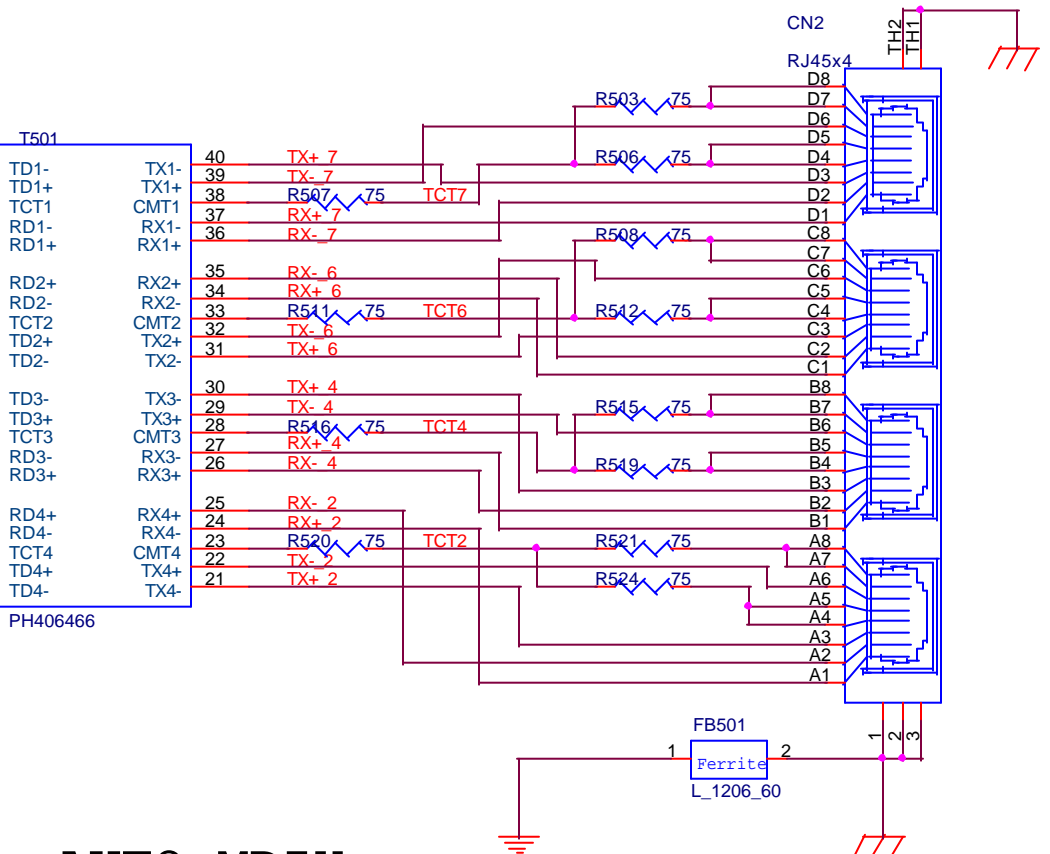
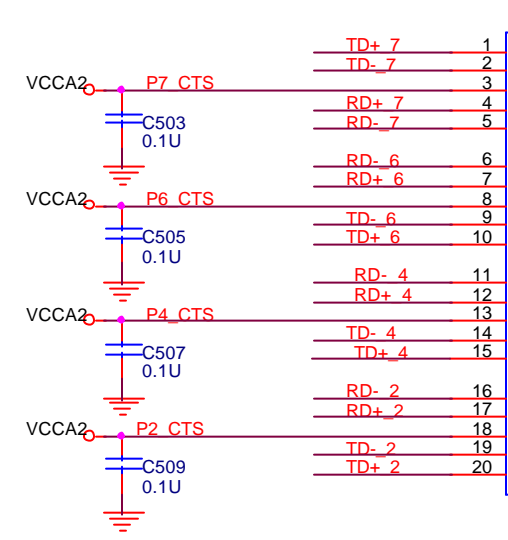
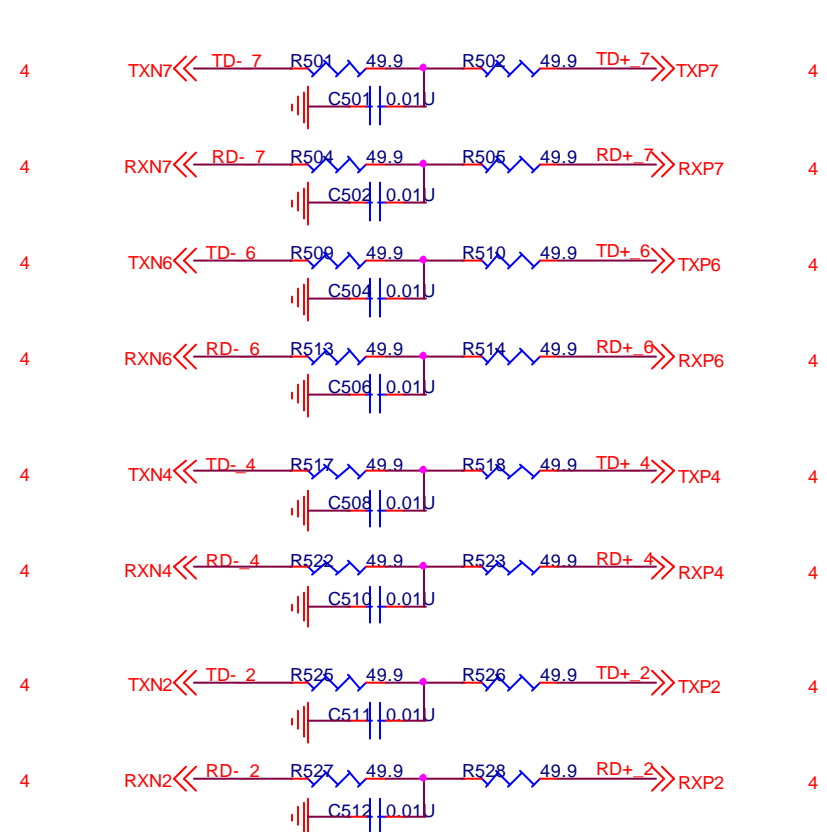
MPU--S3C4510B

Designer PN1 / Eric Hong	Size C	DOC NO 204-C01	Rev 0
Modified Wednesday, December 19, 2001	Sheet 2 of 8		

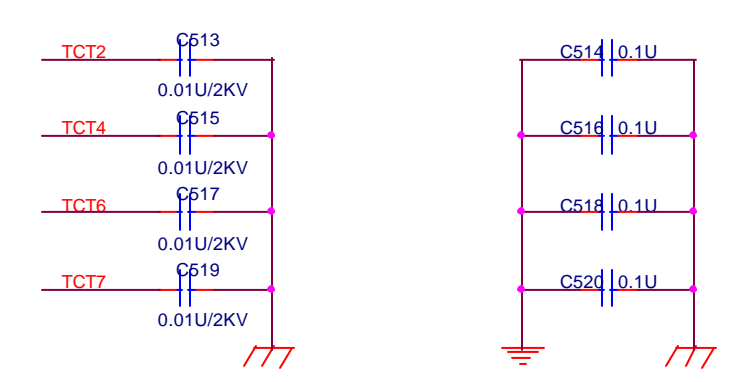
To Memory SDRAM & FLASH ROM & CPLD



 Acer Communications & Multimedia		AP+ROUTER -- AWL500/700	
		FLASH & SDRAM	
Designer PN1 / Eric Hong	Size C	DOC NO 204-C01	Rev 0
Modified Wednesday, December 19, 2001	Sheet 3 of 8		



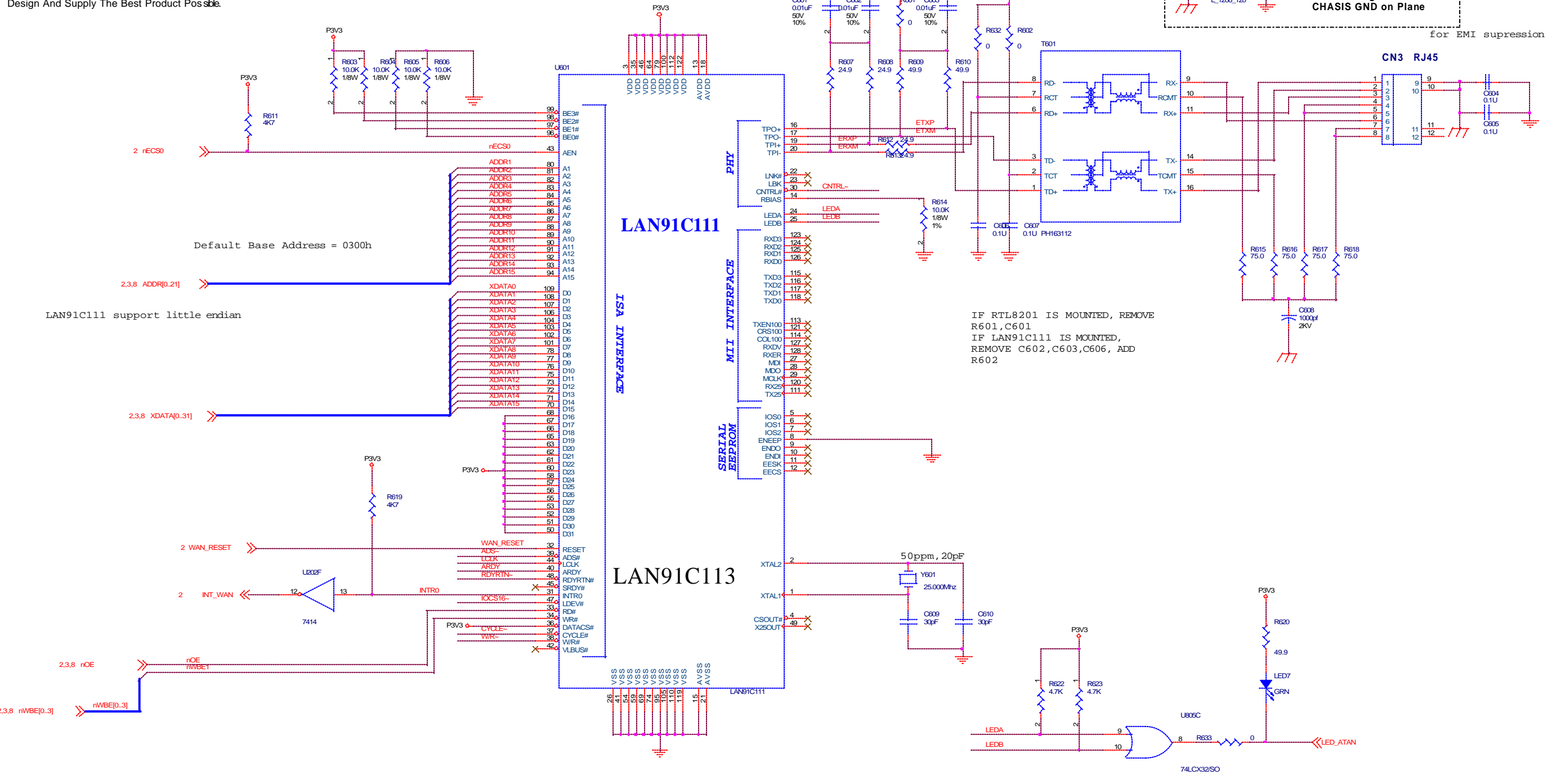
AUTO MDIX



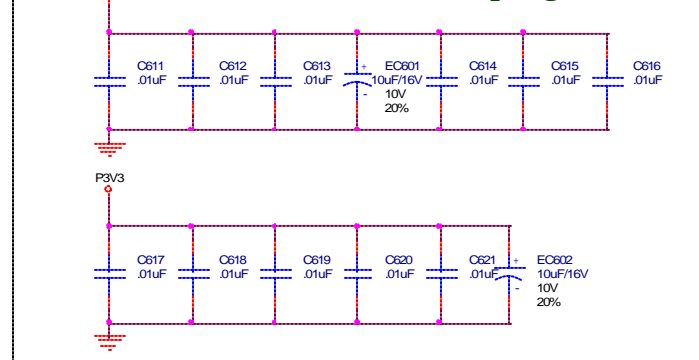
<p>Acer Communications & Multimedia</p>		<p>AP+ROUTER -- AWL500/700</p>					
		<p>SWITCH TRANSFORMER</p>					
Designer	PN1 / Eric Hong	Size	Custom	DOC NO	204-C01	Rev	0
Modified:	Wednesday, December 19, 2001	Sheet	5	of	8		

LAN91C111 Evaluation Design

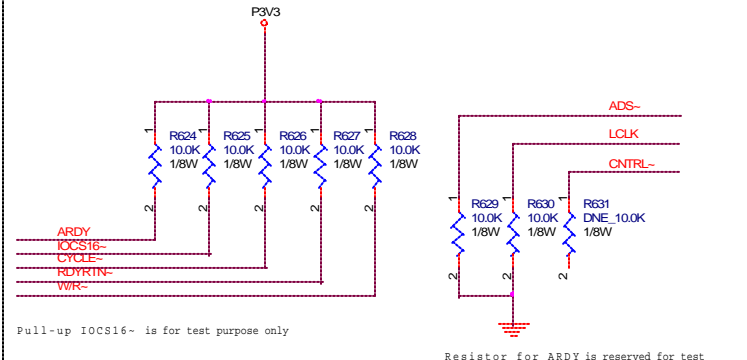
Circuit Diagrams utilizing SMSC Products Are Included As A Means Of Illustrating Typical Semiconductor Applications. Consequently Complete Information Sufficient For Construction Purposes Is Not Necessarily Given. The Information Has Been Carefully Checked And Is Believed To Be Entirely Reliable. However, No Responsibility Is Assumed For Inaccuracies. Furthermore, Such Information Does Not Convey To The Purchaser Of The Semiconductor Devices Described Any License Under The Patent Rights Of SMSC Or Others. SMSC Reserves The Right To Make Changes At Any Time In Order To Improve Design And Supply The Best Product Possible.



Decoupling

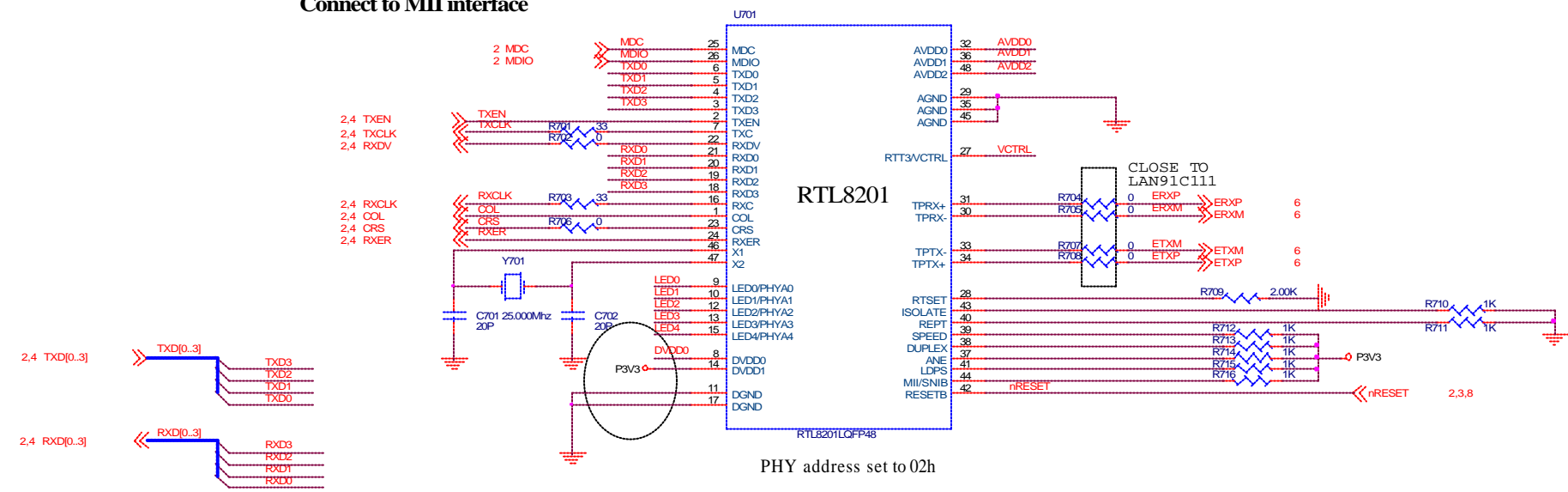


Pull-UP/Pull-DOWN



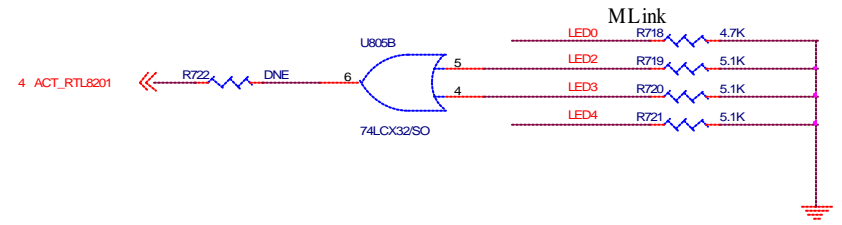
<p>Acer Communications & Multimedia</p>		AP+ROUTER -- AWL500/700	
		LAN - LAN91C113	
Designer	PN1 / Eric Hong	Size	C
Modified	Wednesday, December 19, 2001	DOC NO	204-C01
		Rev	0
		Sheet	6 of 8

Connect to MII interface



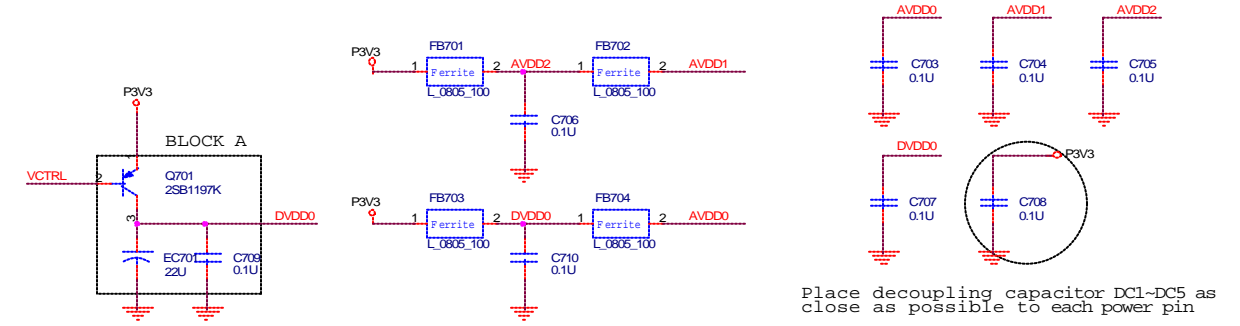
PHY address set to 02h

RTL8139C+ should configure to MDux=0, MLink=1
 MDupActiveState=0
 MLinkActiveState=1



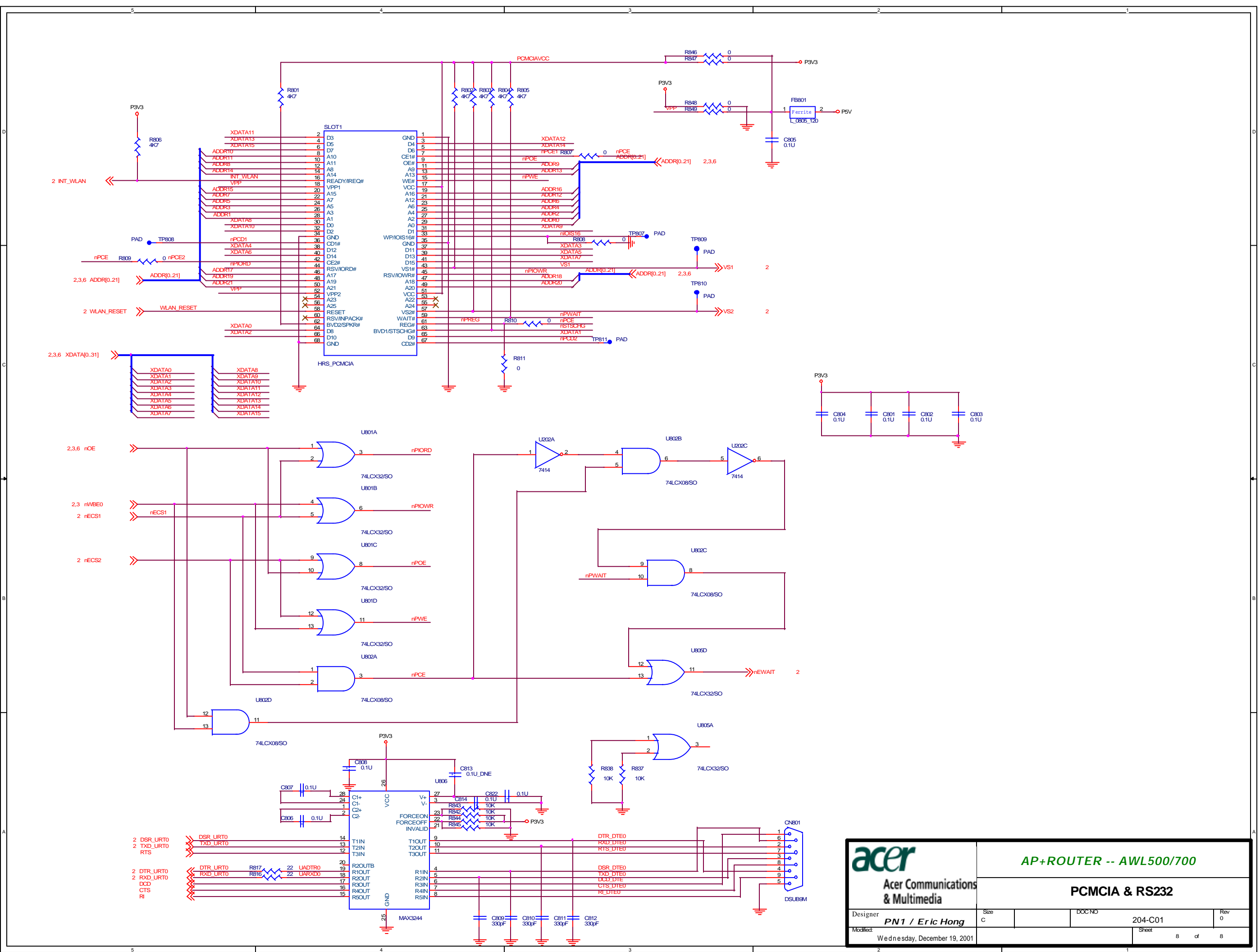
Config:

Enable: N-way, Full duplex, 100Mbps, Link Down Power Saving
 Disable: Isolate, Repeater Mode



BLOCK A : The components inside BLOCK A are reserved for RTL8201B(.25u version). In RTL8201B, DVDD0 and AVDD0 will be fed 2.5V produced by BLOCK A which is functional as linear regulator and L3, R6 will be removed. In order to be layout-compatible between RTL8201 and RTL8201B, please reserve the component space and pads in your layout for future extension.

<p>Acer Communications & Multimedia</p>		<p>AP+ROUTER -- AWL500/700</p>			
		<p>LAN -- RTL8201</p>			
Designer	PN1 / Eric Hong	Size	C	DOC NO	204-C01
Modified	Wednesday, December 19, 2001	Sheet	7	of	8



 Acer Communications & Multimedia		AP+ROUTER -- AWL500/700		
		PCMCIA & RS232		
Designer PN1 / Eric Hong	Size C	DOC NO 204-C01	Rev 0	
Modified Wednesday, December 19, 2001	Sheet 8 of 8			