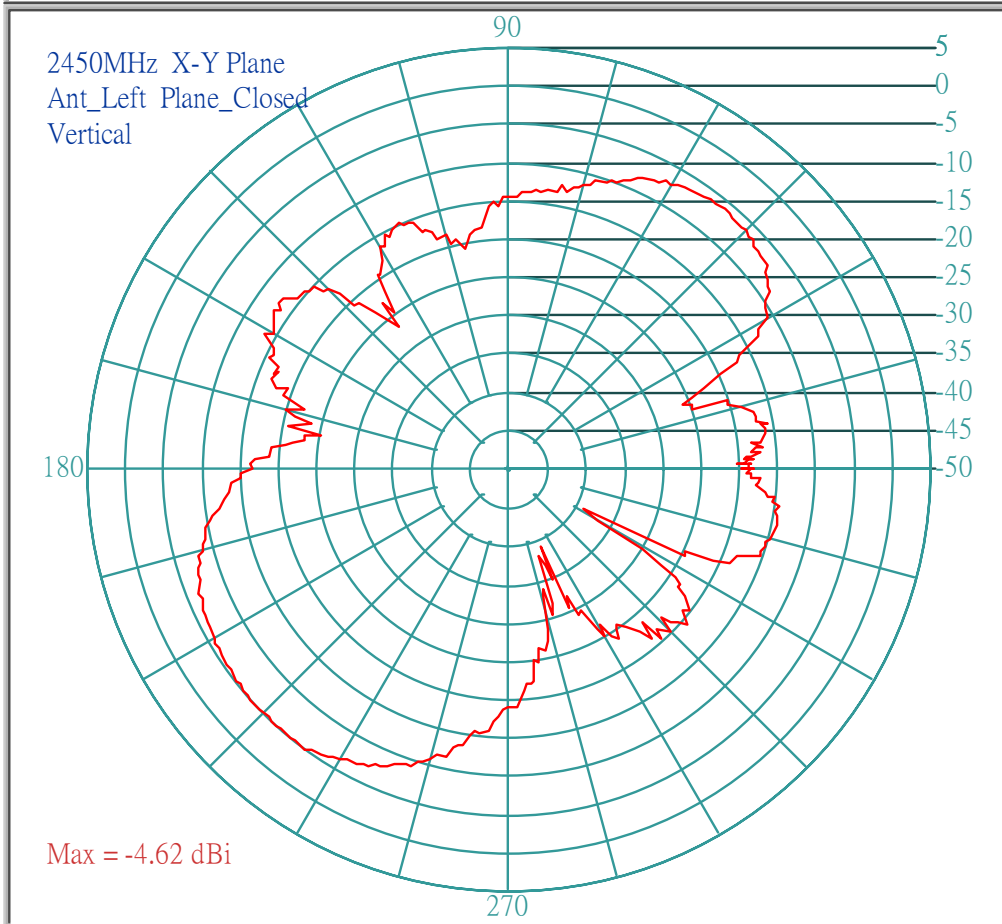
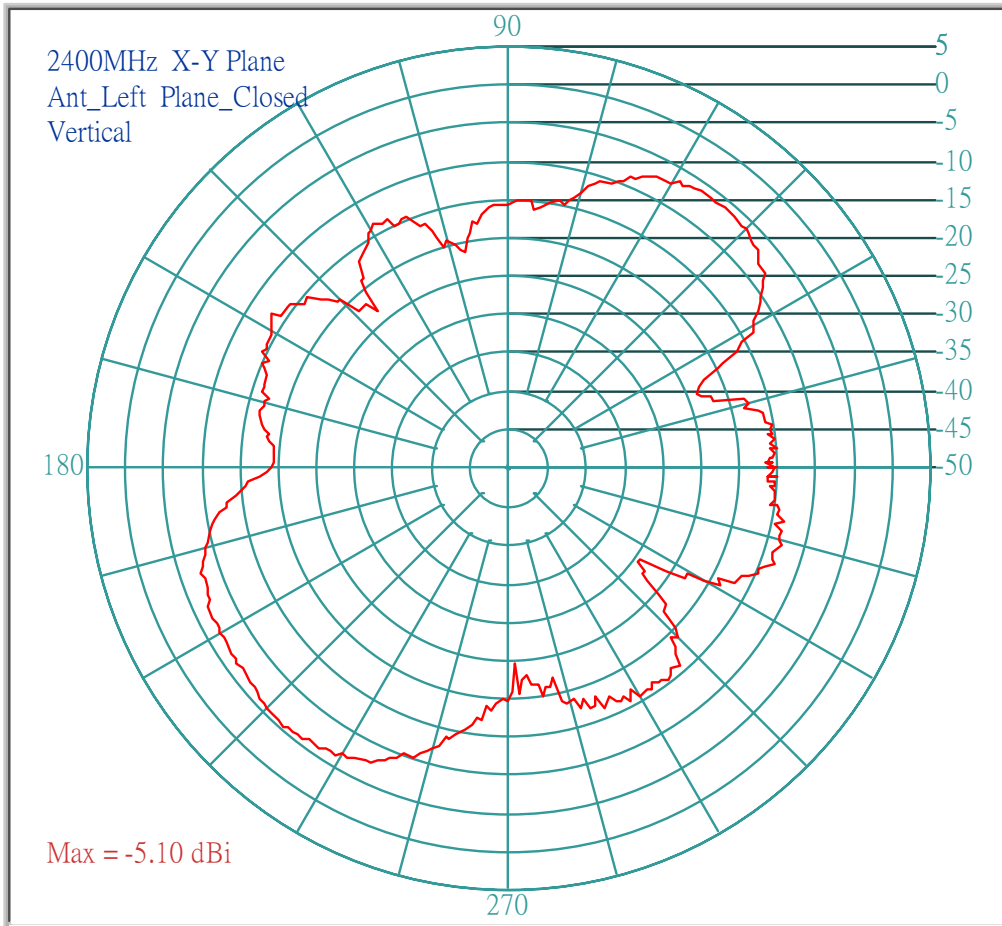


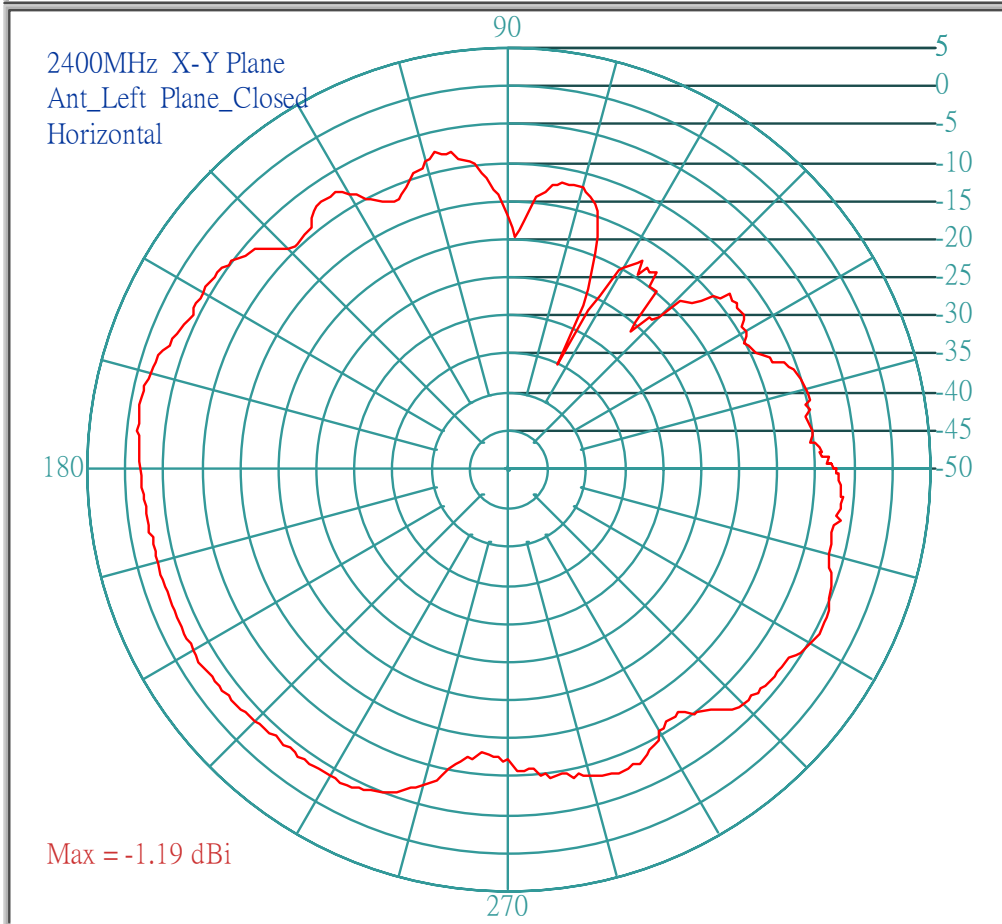
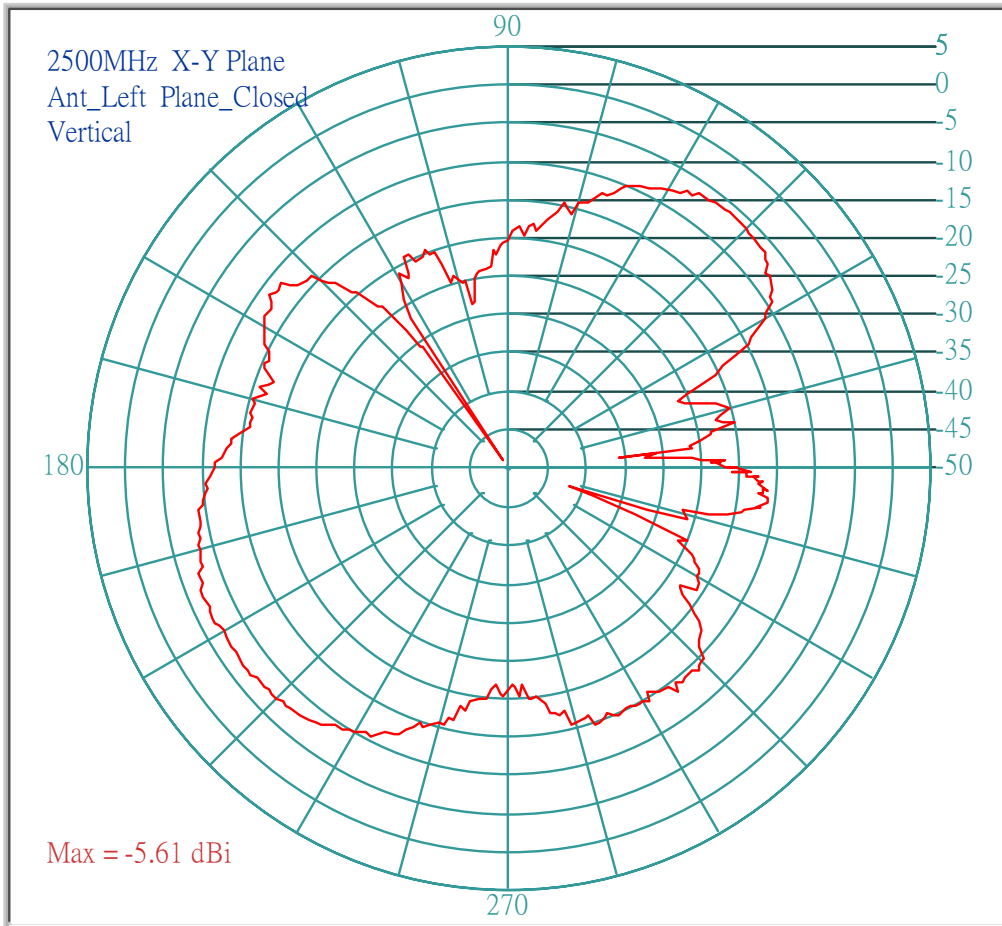
| Antenna_Left | | | | | |
|---------------------|------------------|----------------------------------|--------------------------|------------------|------------------|
| Position | condition | | GAIN TEST RESULTS | | |
| | Plane | Horn Antenna Polarization | 2.40GHz | 2.45GHz | 2.50GHz |
| | | | Max (dBi) | Max (dBi) | Max (dBi) |
| X - Y | Closed | Vertical | -5.10 | -4.62 | -5.61 |
| | | Horizontal | -1.19 | 0.01 | 0.67 |
| | Opened | Vertical | -4.28 | -3.31 | -4.87 |
| | | Horizontal | 1.68 | 1.60 | 0.36 |
| X - Z | Closed | Vertical | -6.27 | -3.71 | -3.02 |
| | | Horizontal | -8.11 | -7.99 | -6.83 |
| | Opened | Vertical | -1.39 | -1.08 | -1.61 |
| | | Horizontal | -2.60 | -3.41 | -4.62 |
| Y - Z | Closed | Vertical | -6.23 | -3.84 | -3.20 |
| | | Horizontal | -2.19 | -0.63 | -0.86 |
| | Opened | Vertical | -5.15 | -4.35 | -4.50 |
| | | Horizontal | -2.49 | -0.87 | -0.98 |

| Antenna_Right | | | | | |
|----------------------|------------------|----------------------------------|--------------------------|------------------|------------------|
| Position | condition | | GAIN TEST RESULTS | | |
| | Plane | Horn Antenna Polarization | 2.40GHz | 2.45GHz | 2.50GHz |
| | | | Max (dBi) | Max (dBi) | Max (dBi) |
| X - Y | Closed | Vertical | -6.70 | -6.86 | -5.99 |
| | | Horizontal | -2.46 | -3.86 | -4.35 |
| | Opened | Vertical | -7.10 | -6.30 | -5.61 |
| | | Horizontal | -3.55 | -3.71 | -1.67 |
| X - Z | Closed | Vertical | -3.40 | -1.37 | -1.77 |
| | | Horizontal | -2.69 | -4.53 | -4.97 |
| | Opened | Vertical | -2.36 | -1.66 | -2.20 |
| | | Horizontal | -2.21 | -0.81 | -0.28 |
| Y - Z | Closed | Vertical | -3.49 | -3.61 | -6.76 |
| | | Horizontal | -4.53 | -5.78 | -7.29 |
| | Opened | Vertical | -3.81 | -3.94 | -5.32 |
| | | Horizontal | -7.46 | -9.66 | -9.09 |

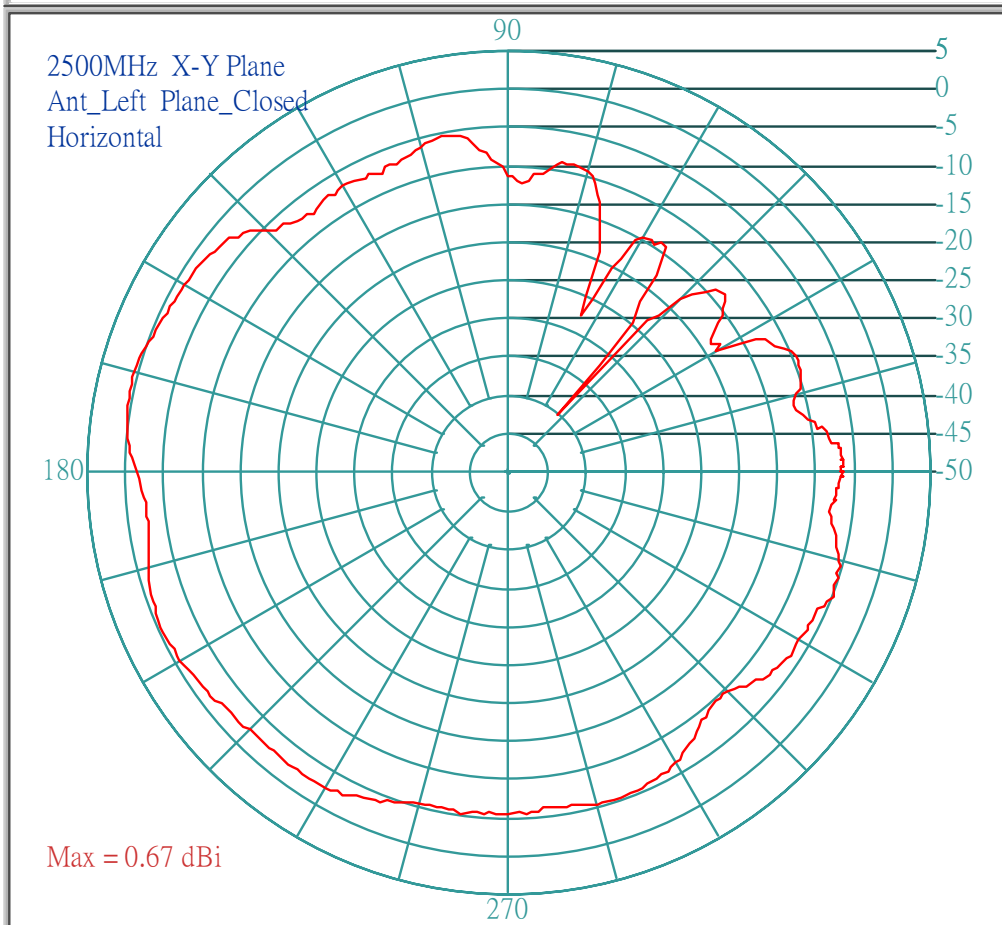
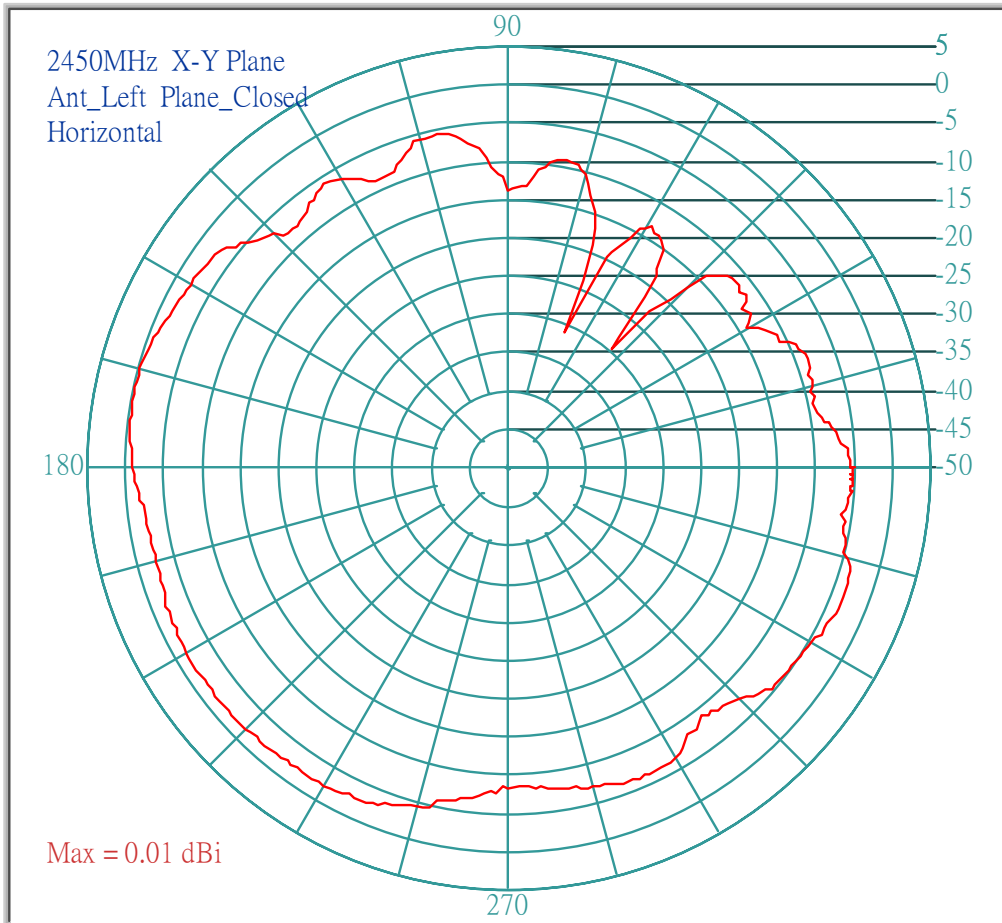
A011



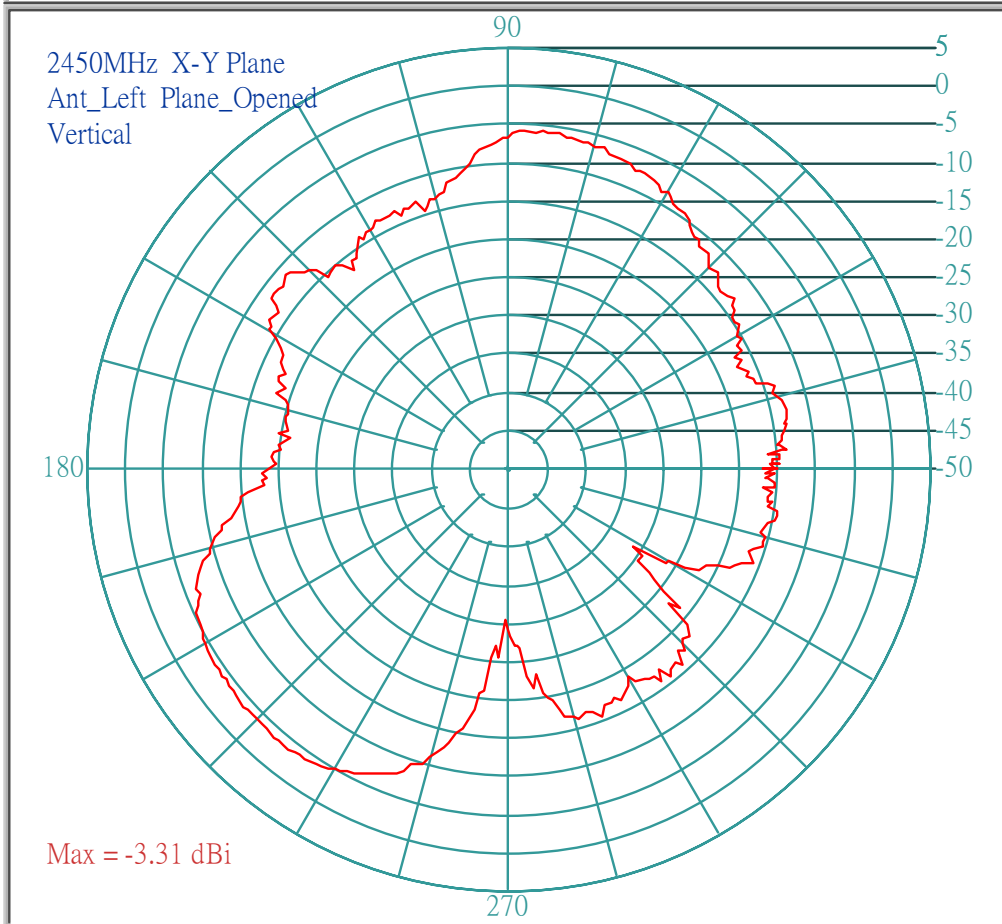
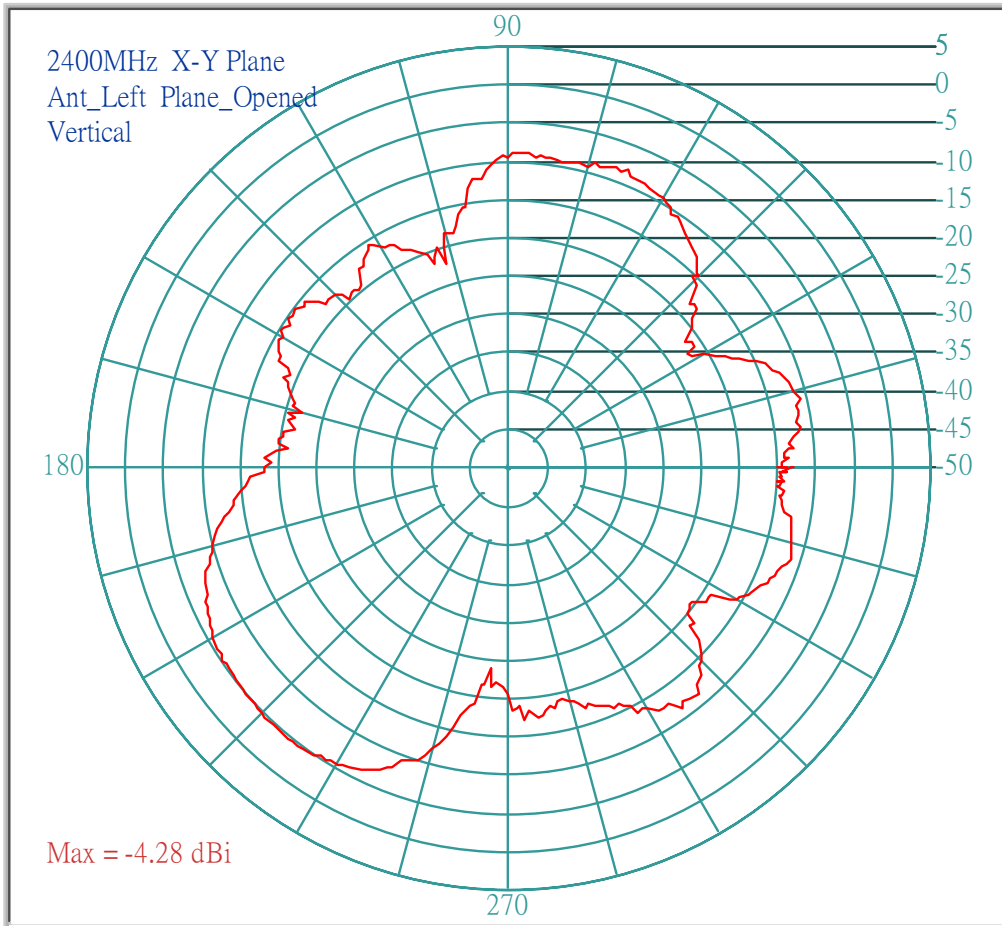
A011



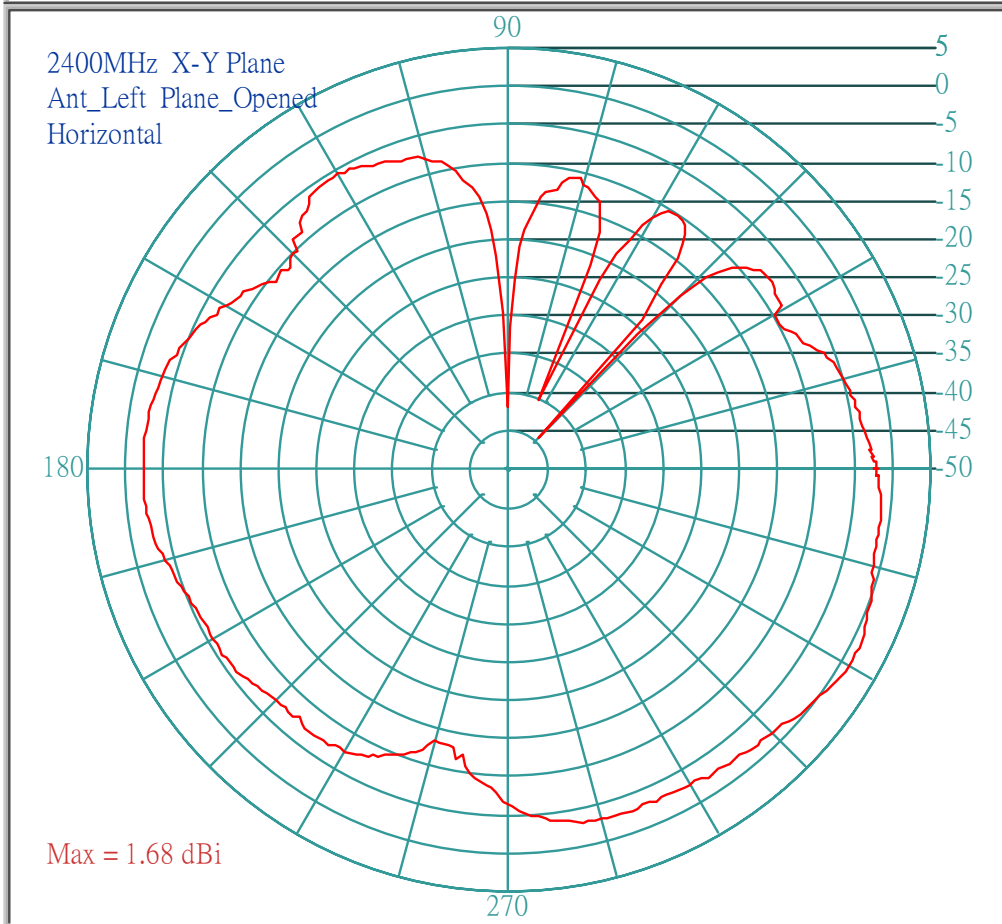
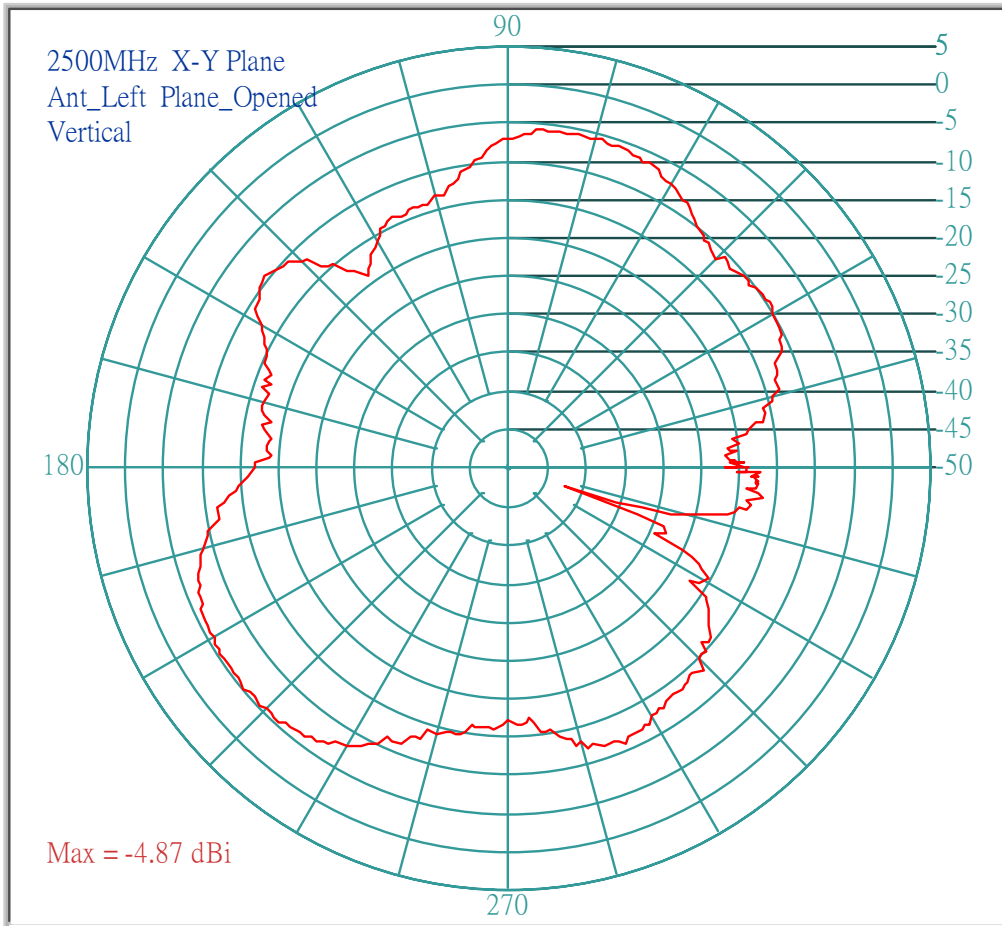
A011



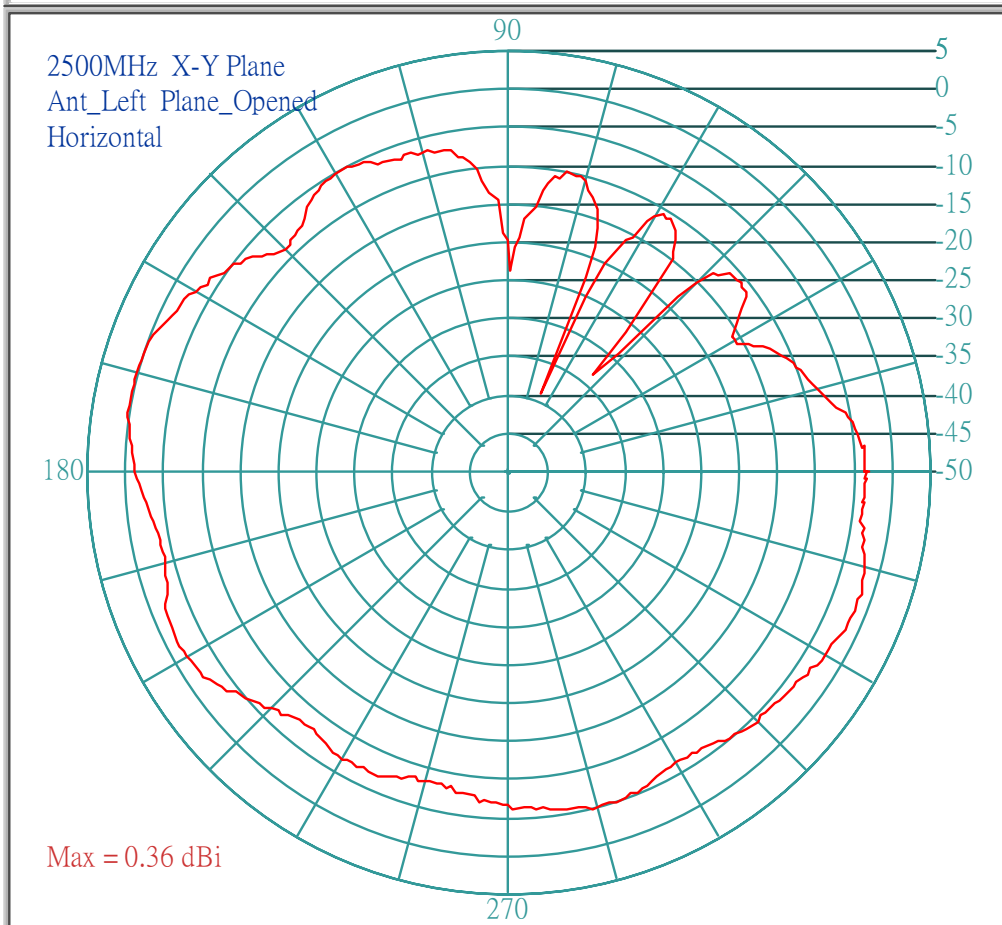
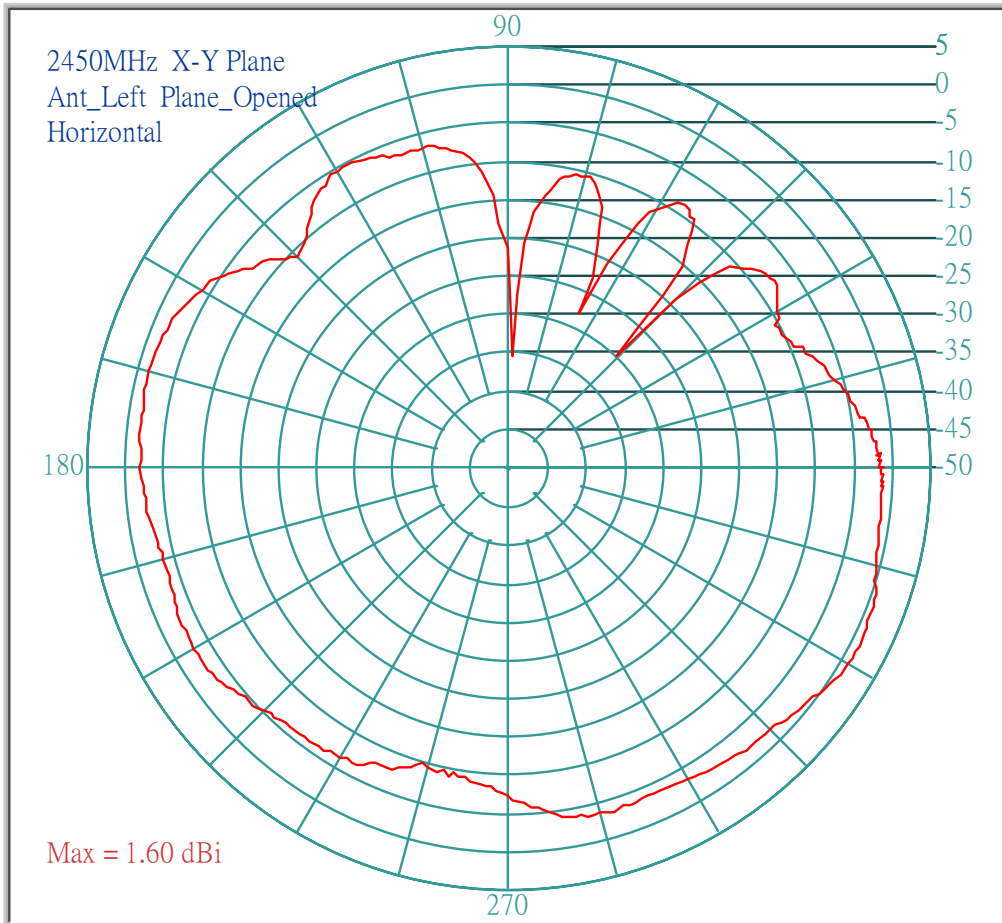
A011



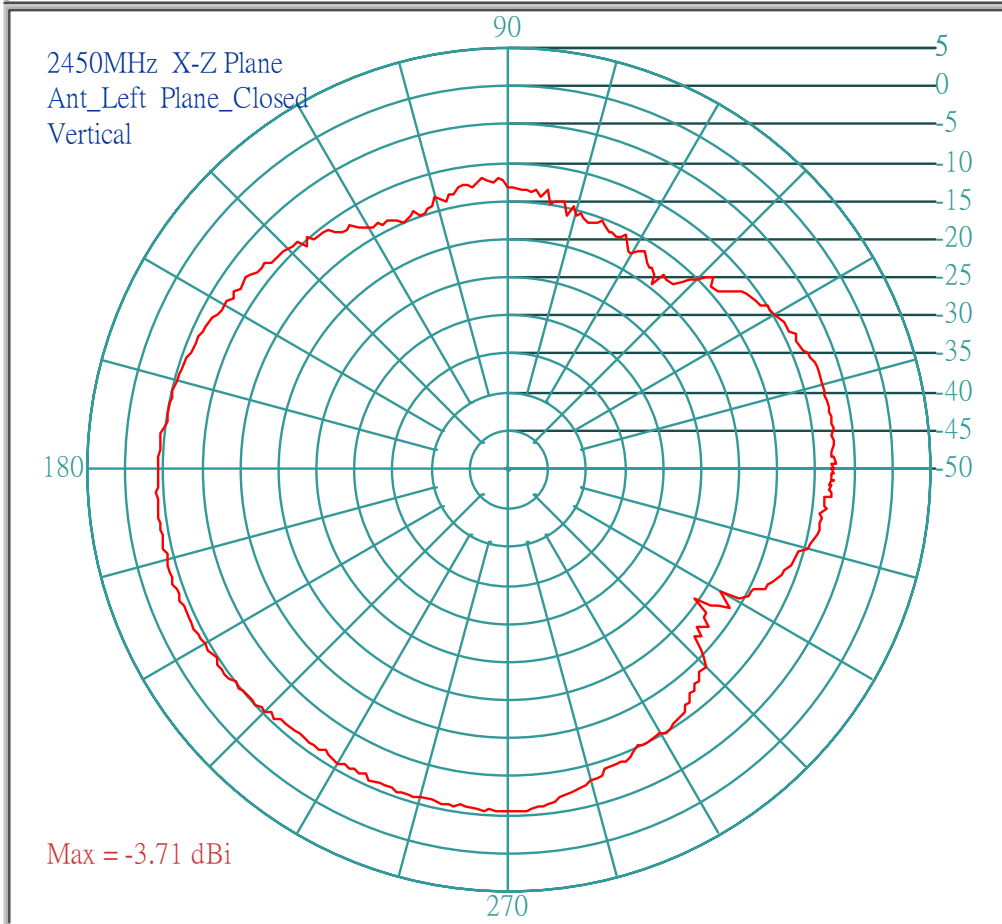
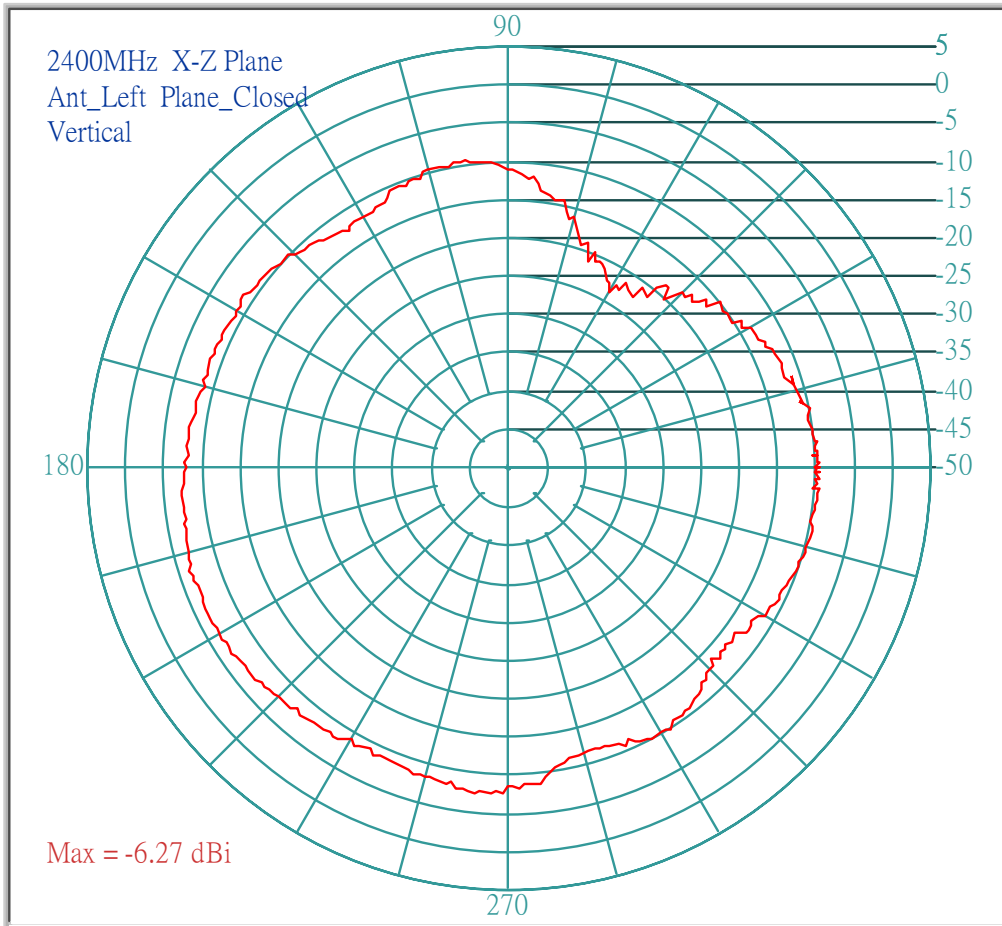
A011



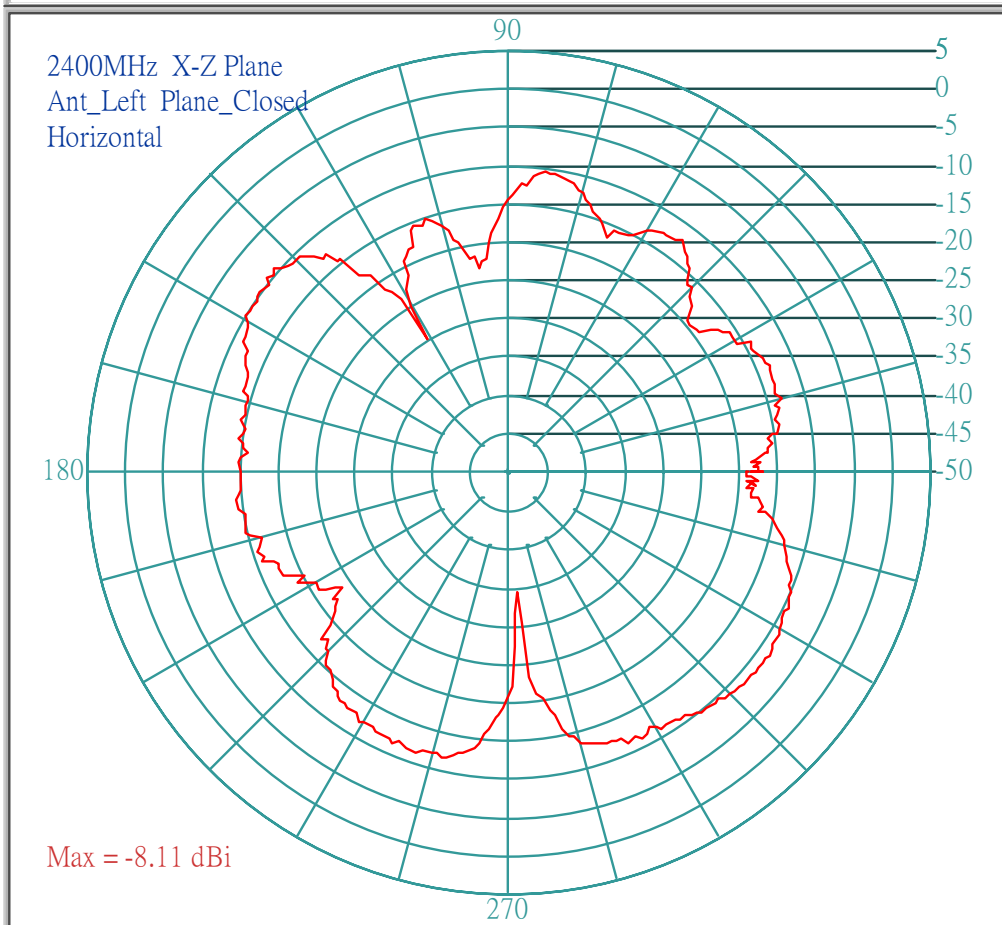
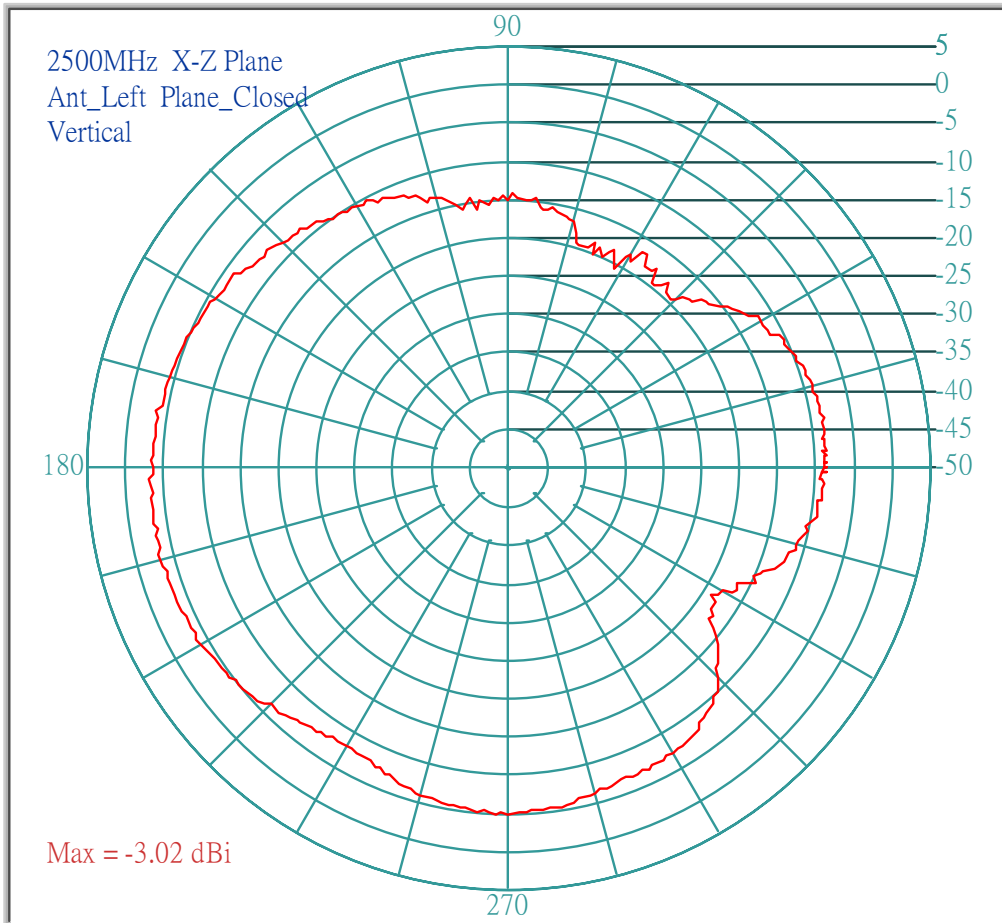
A011



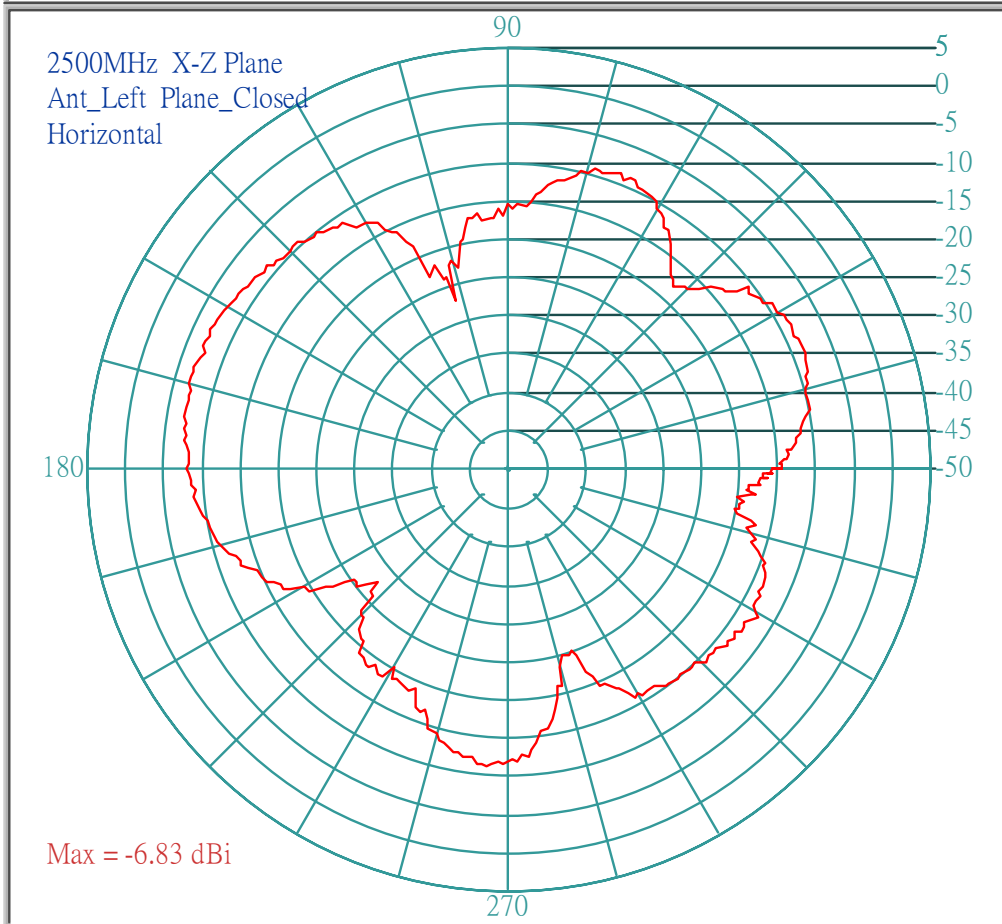
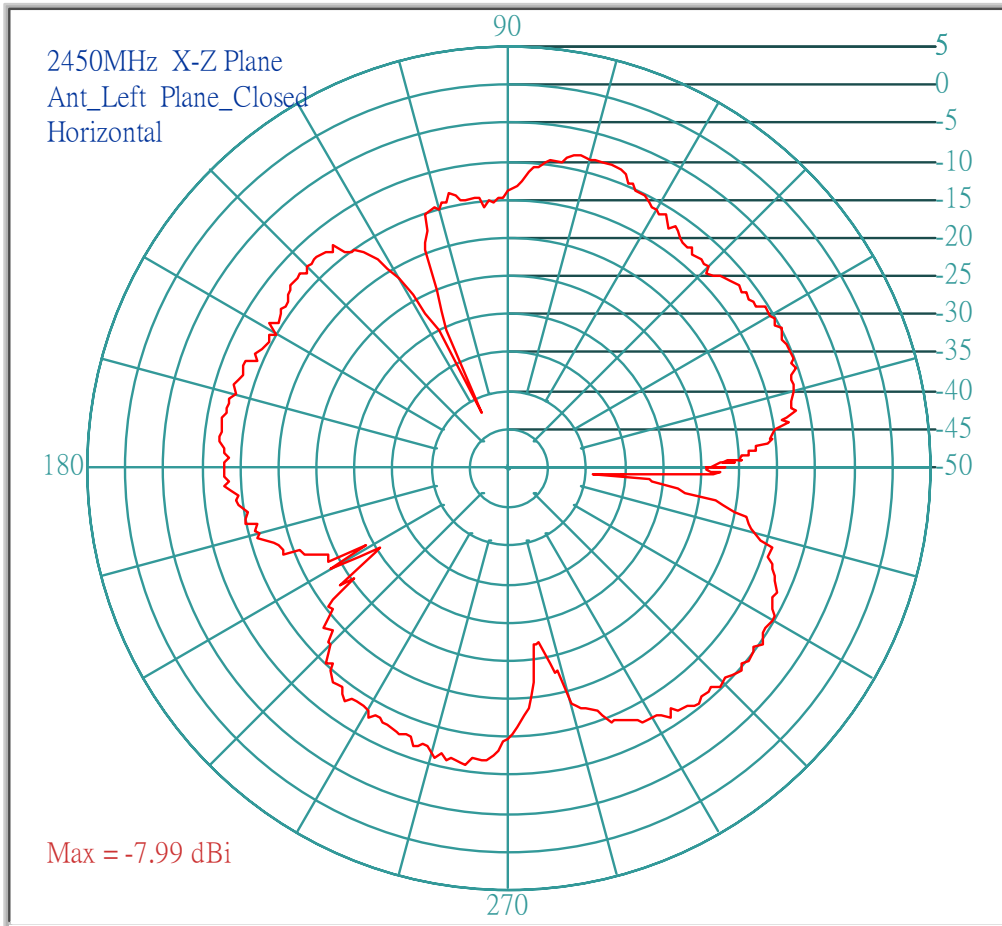
A011



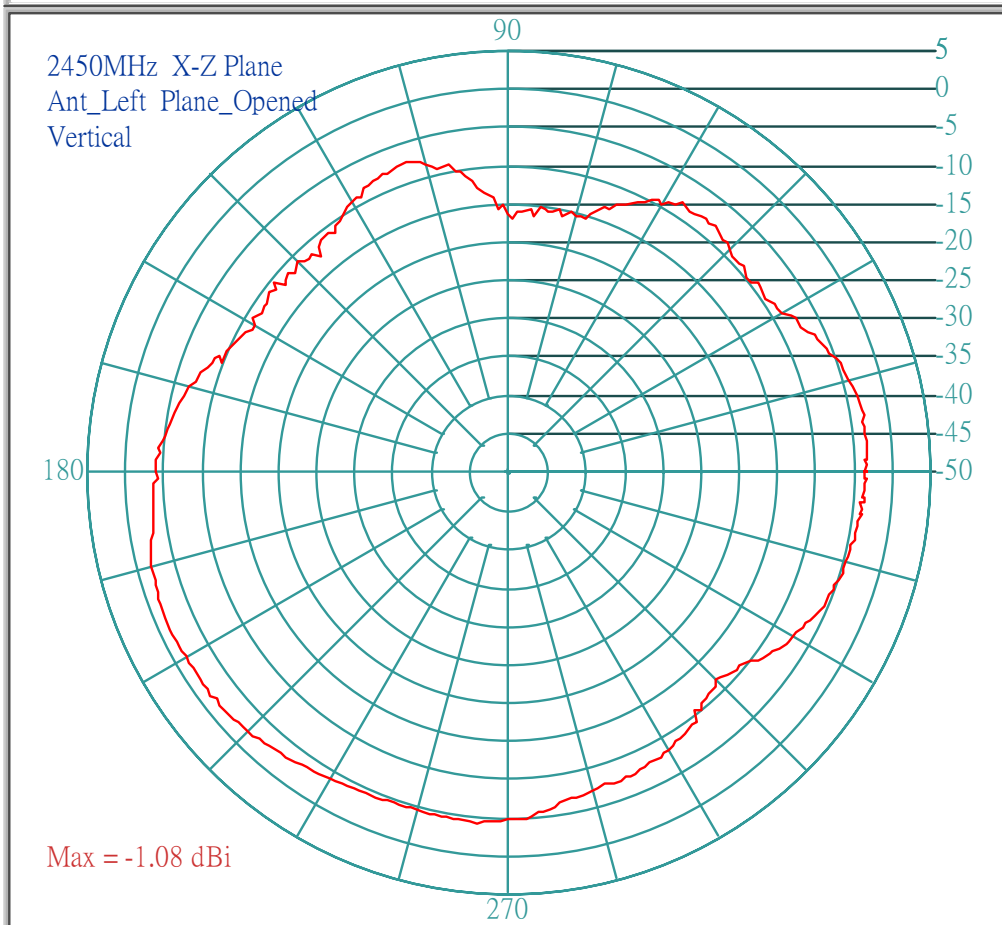
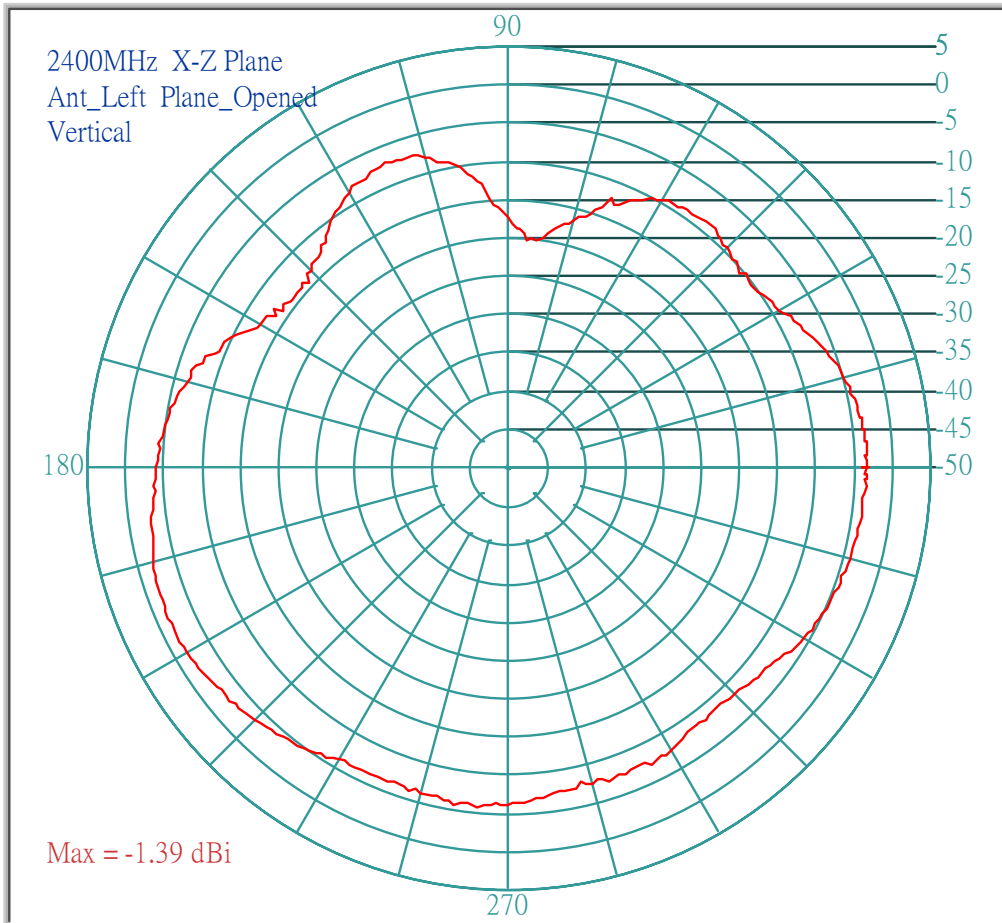
A011



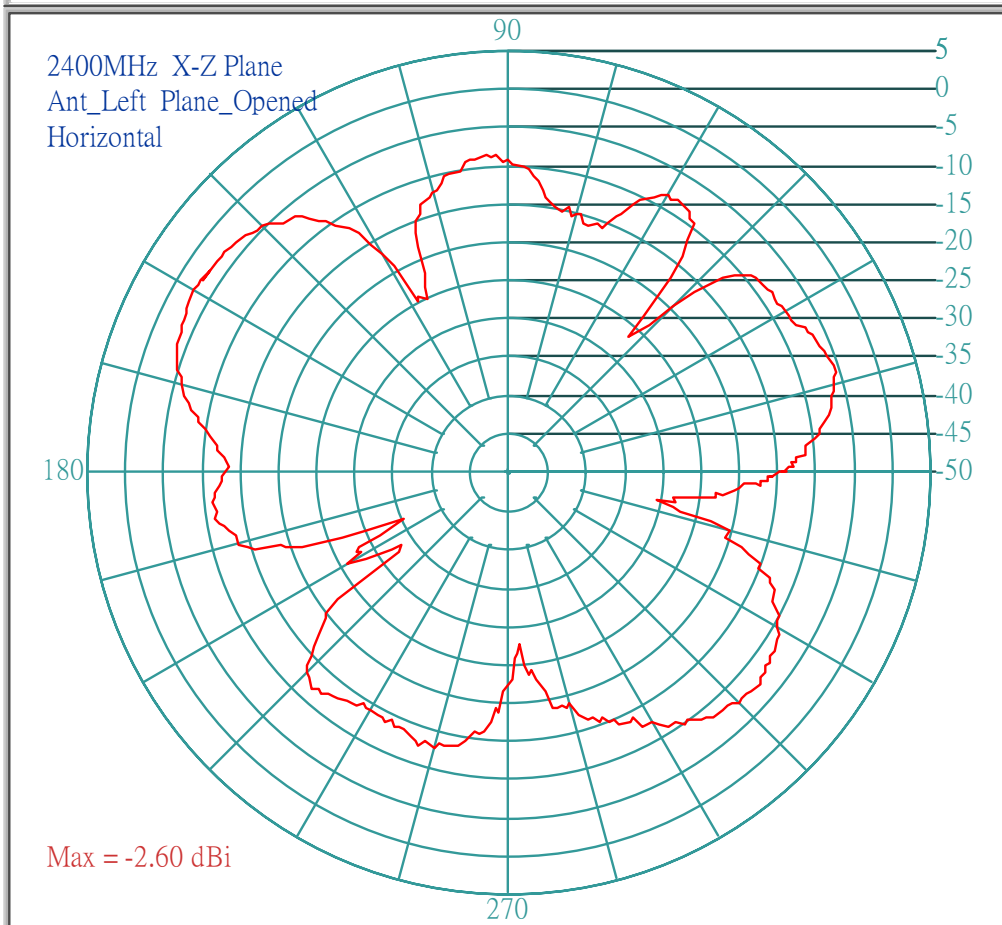
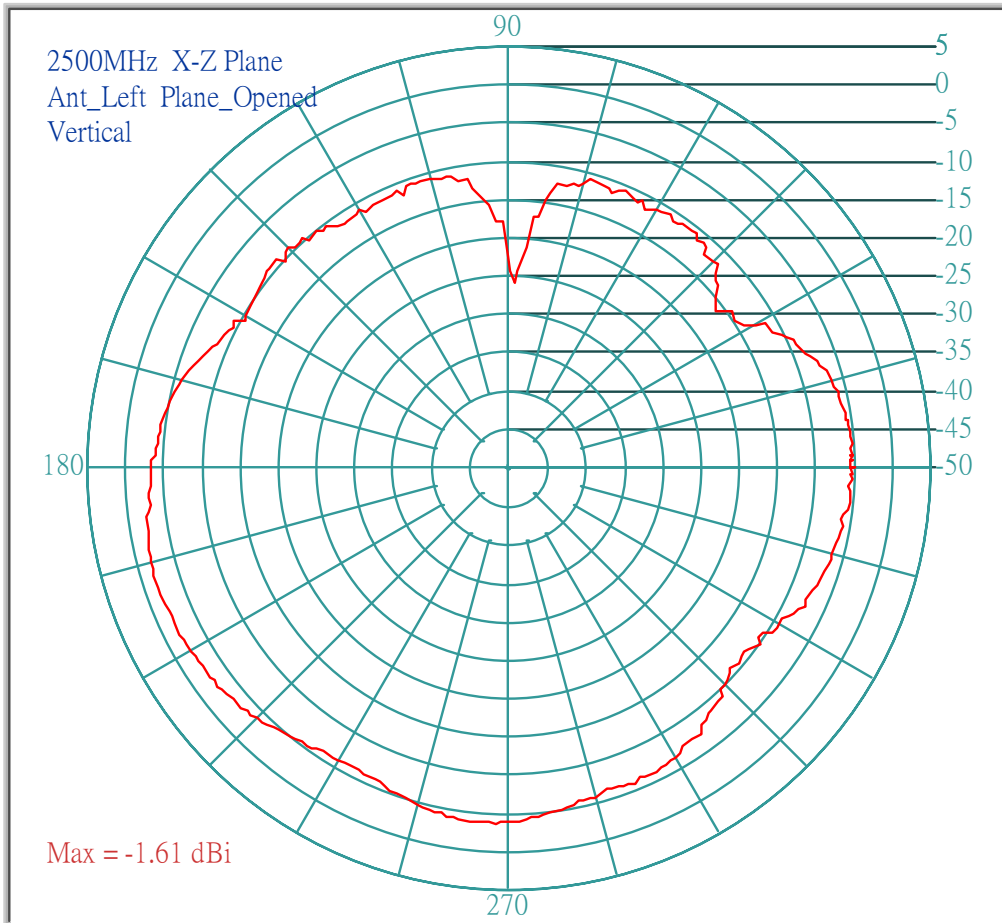
A011



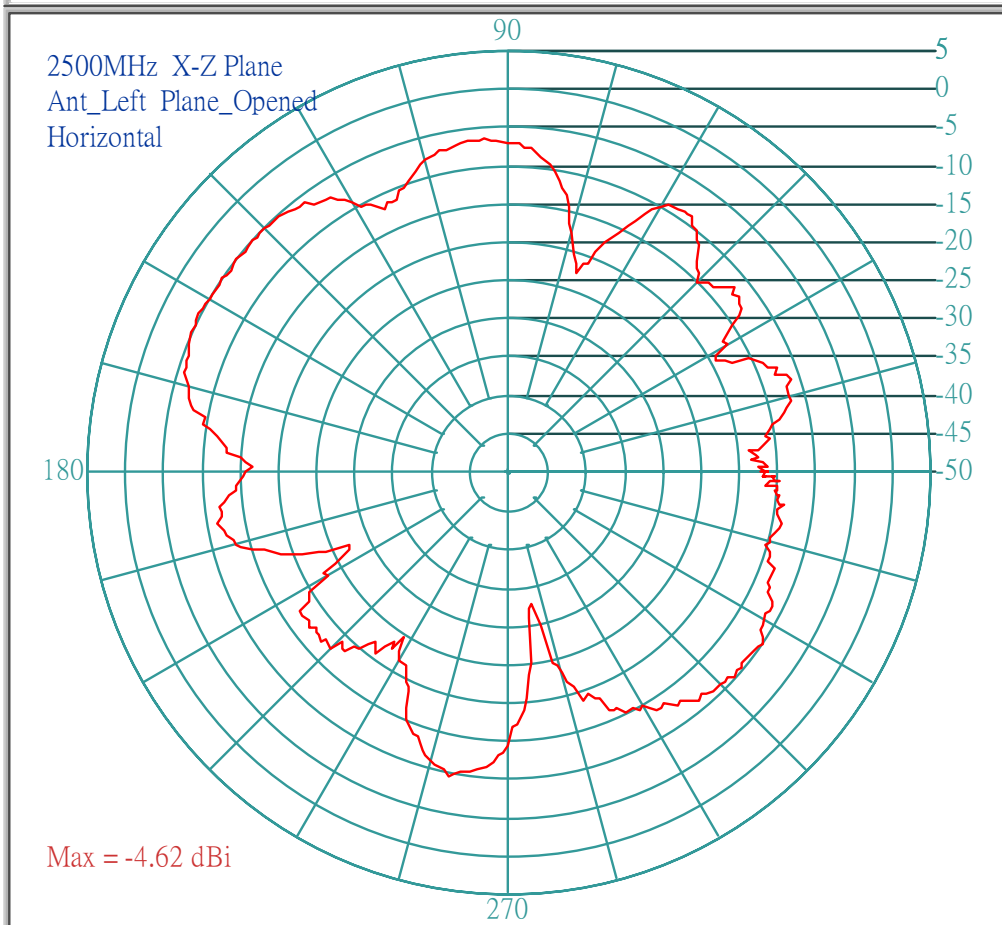
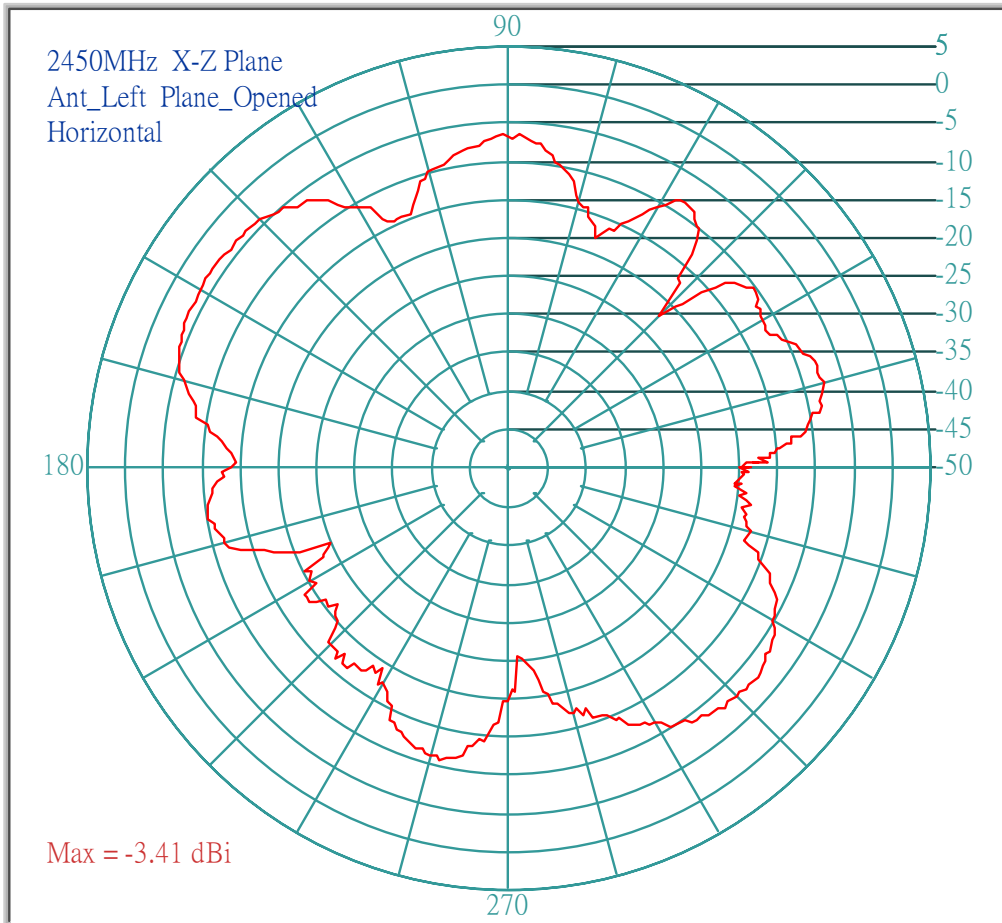
A011



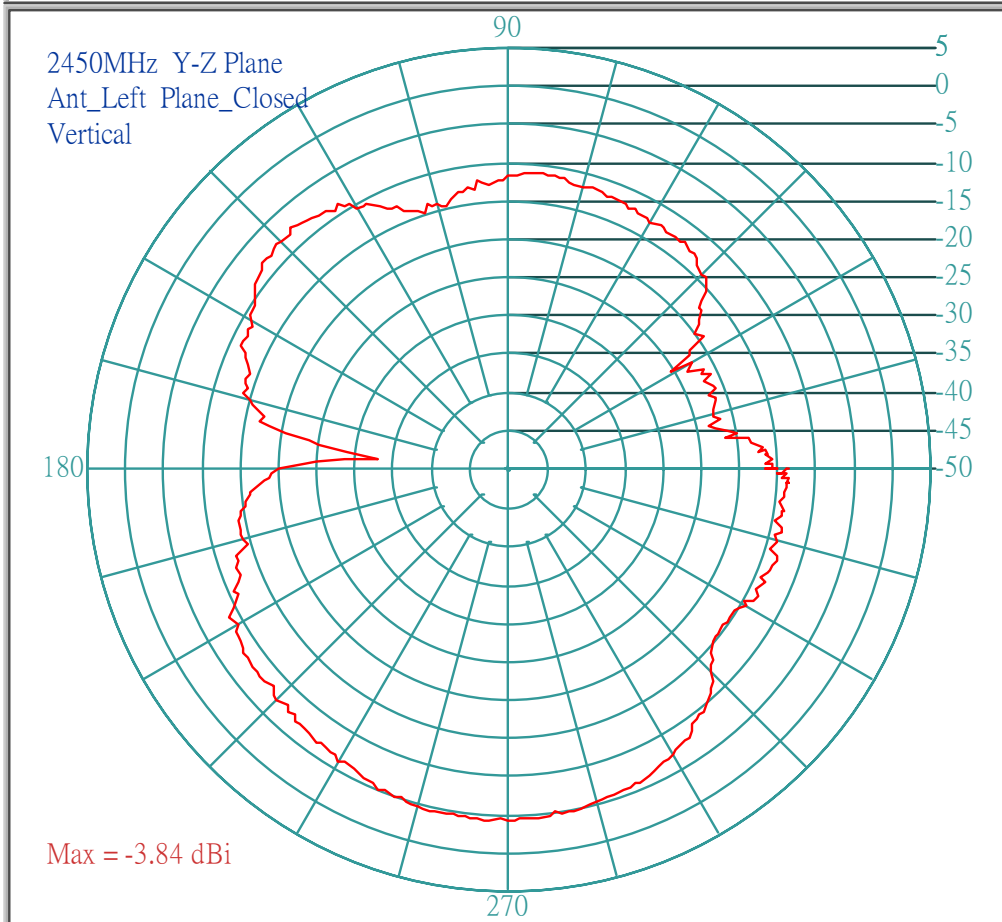
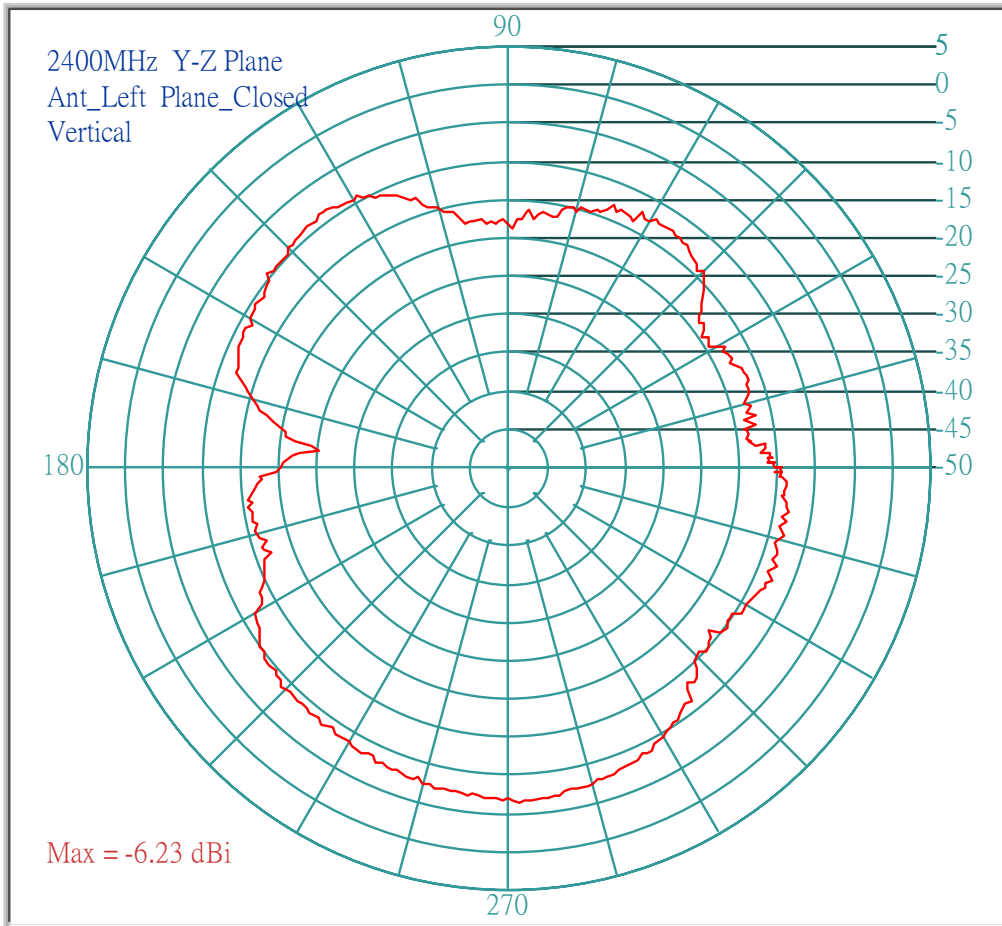
A011



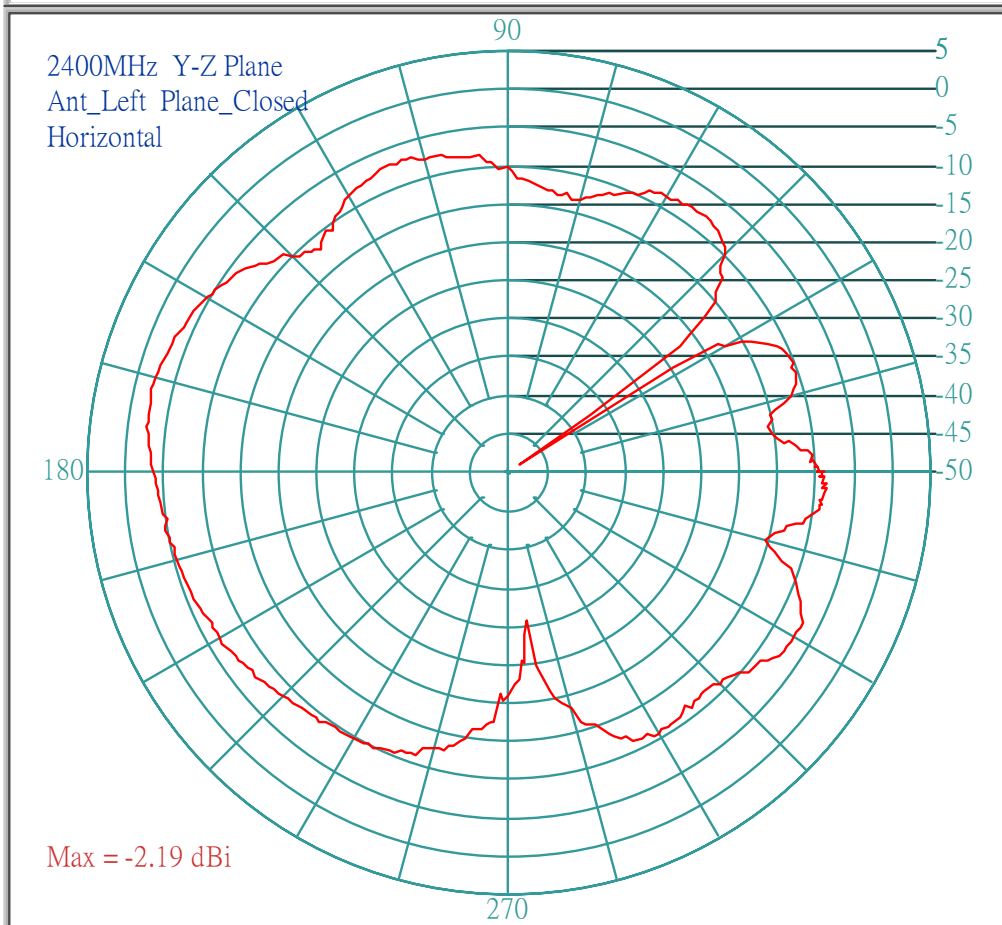
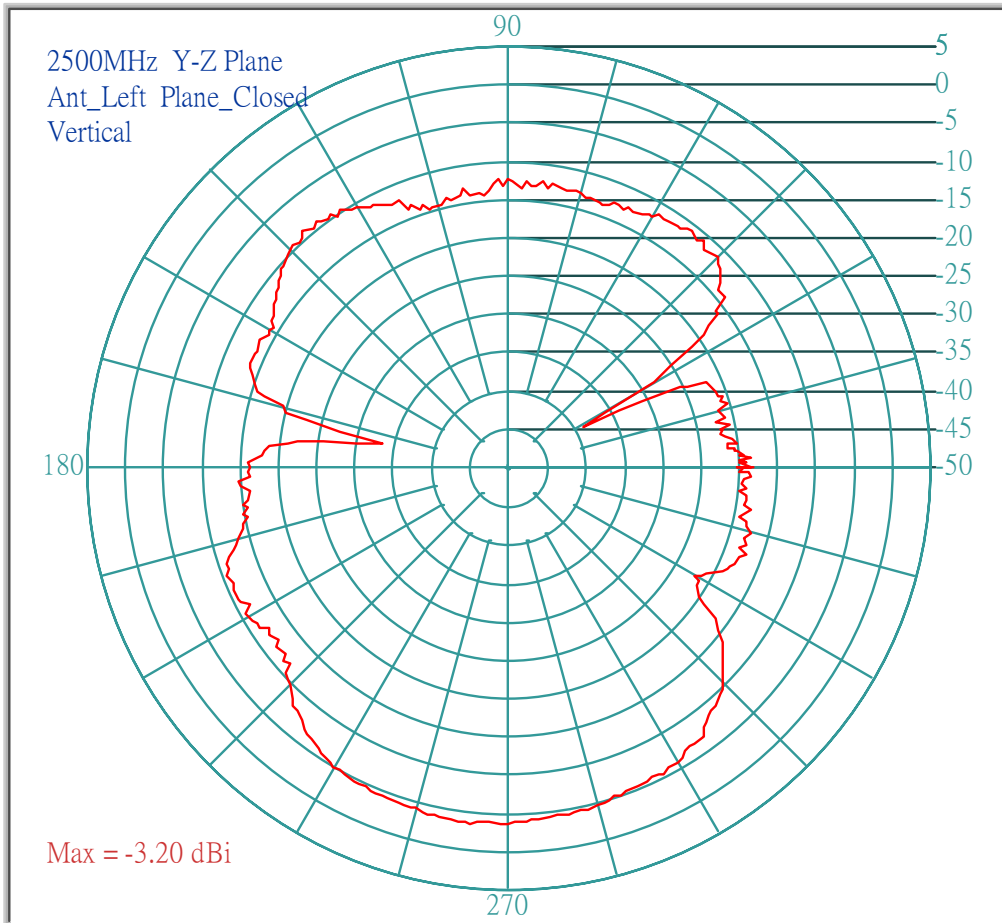
A011



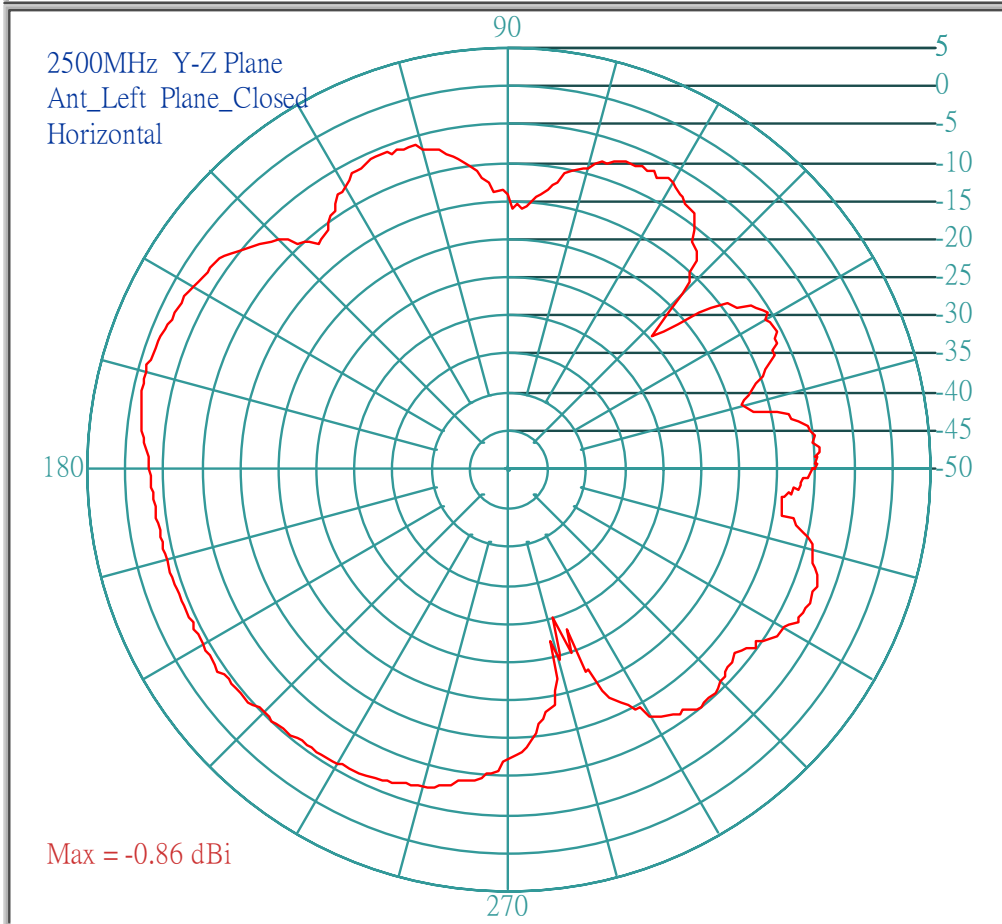
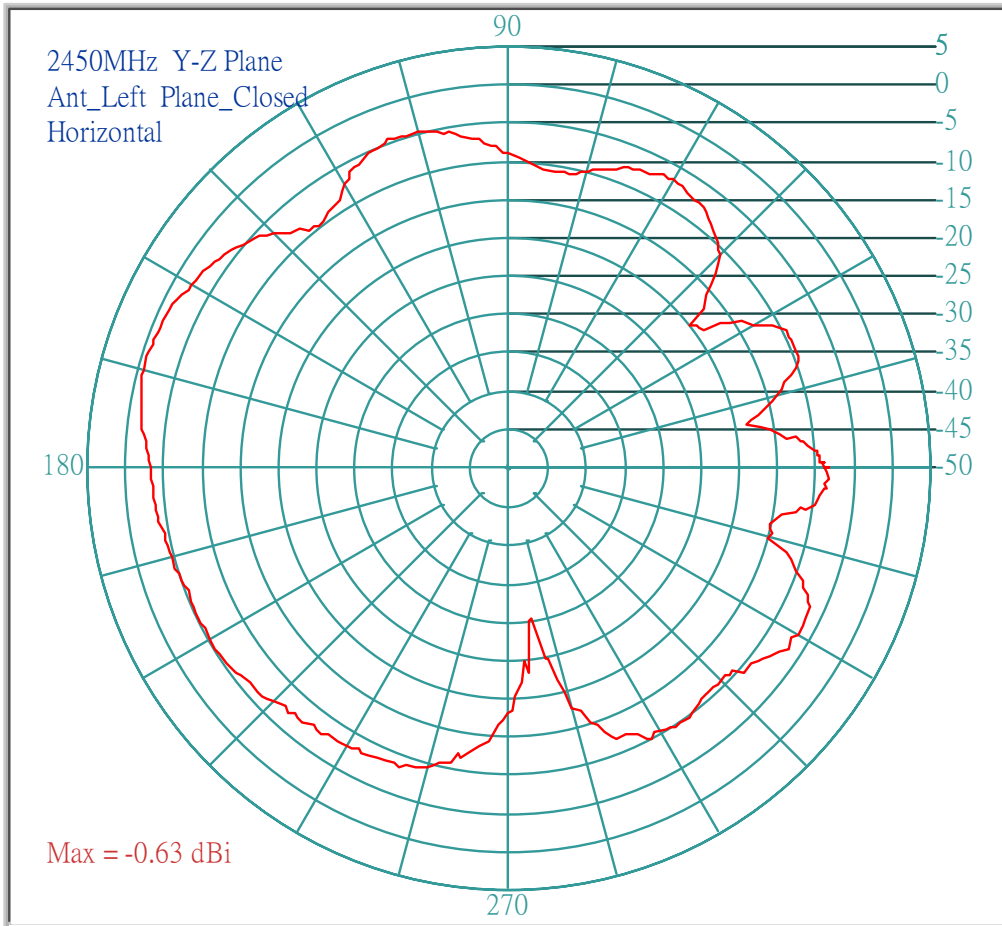
A011



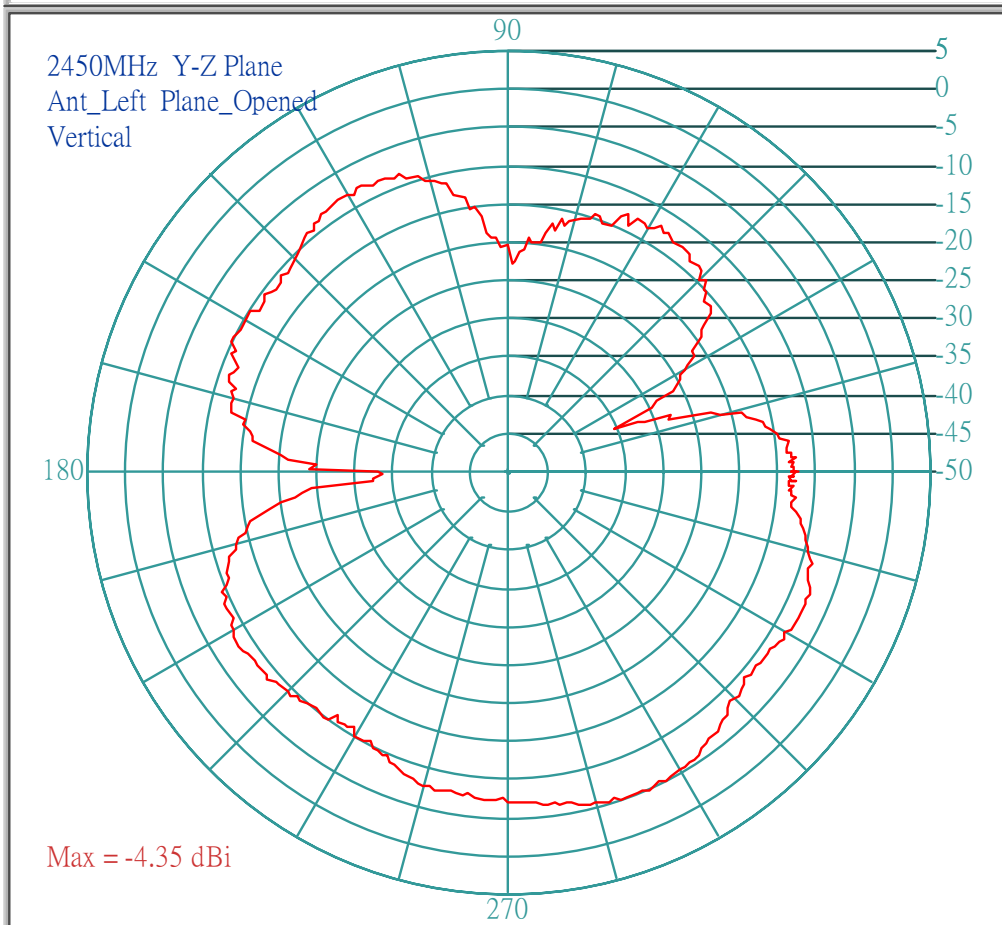
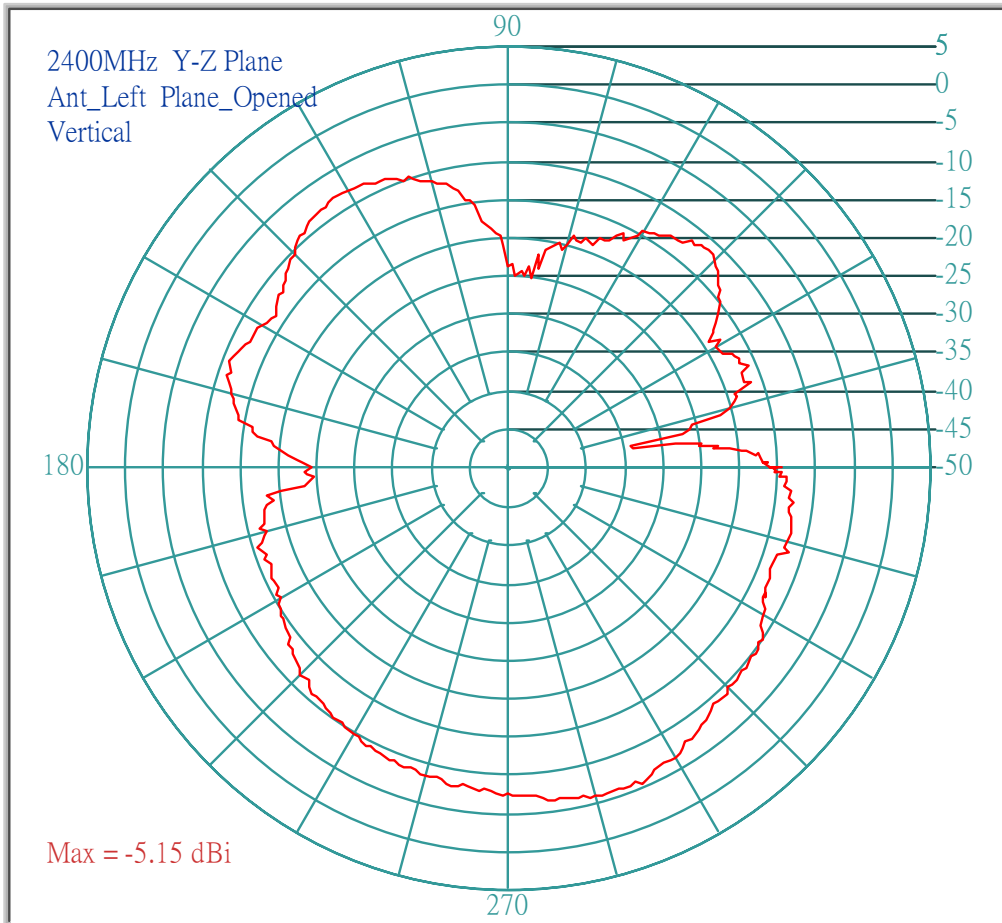
A011



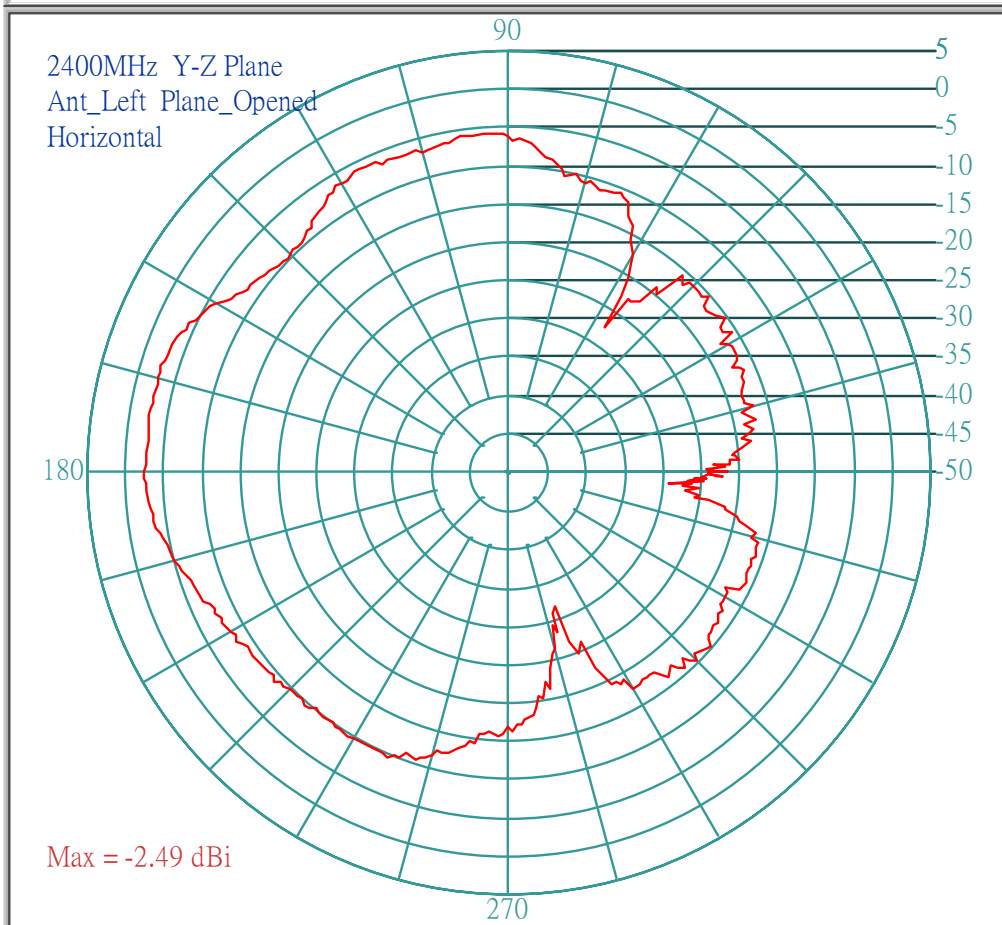
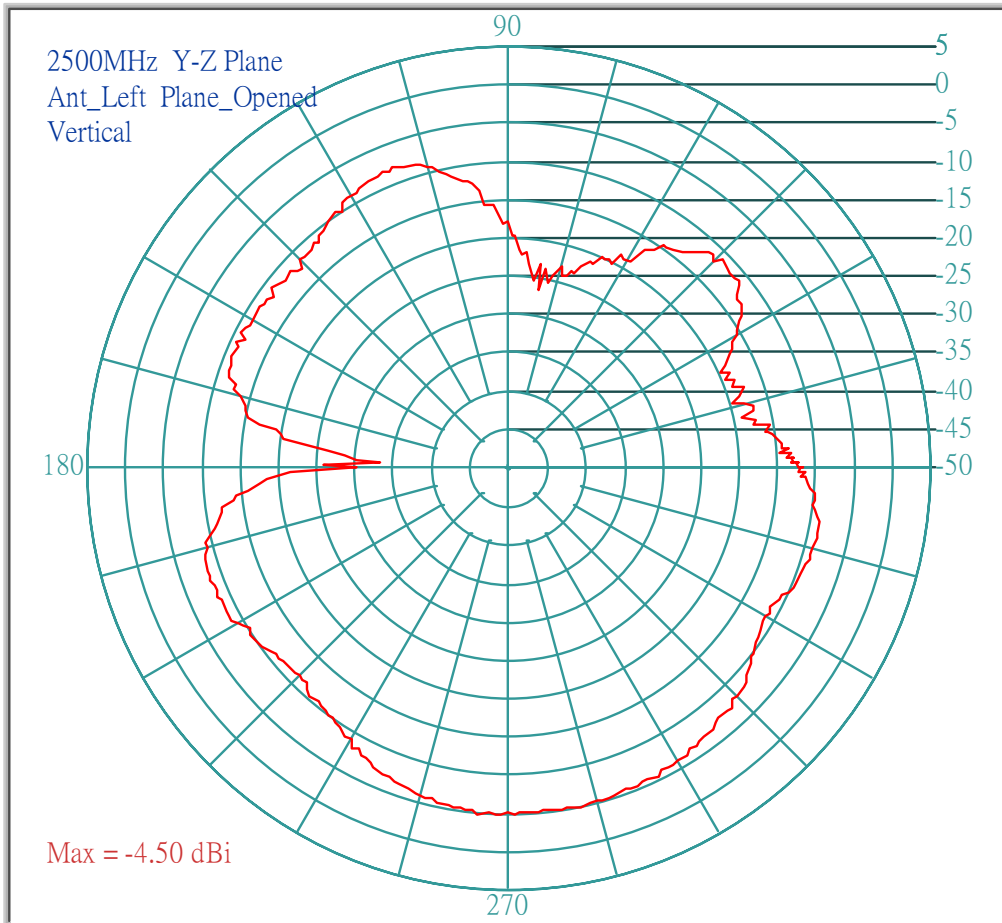
A011



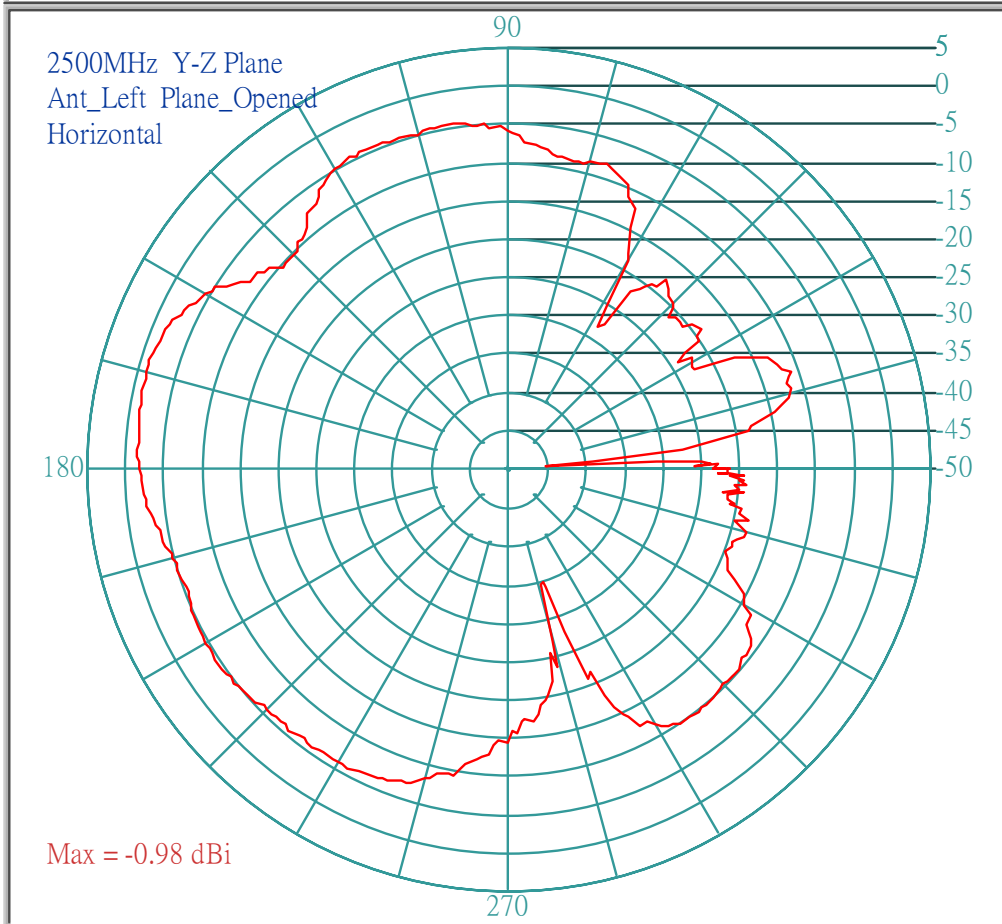
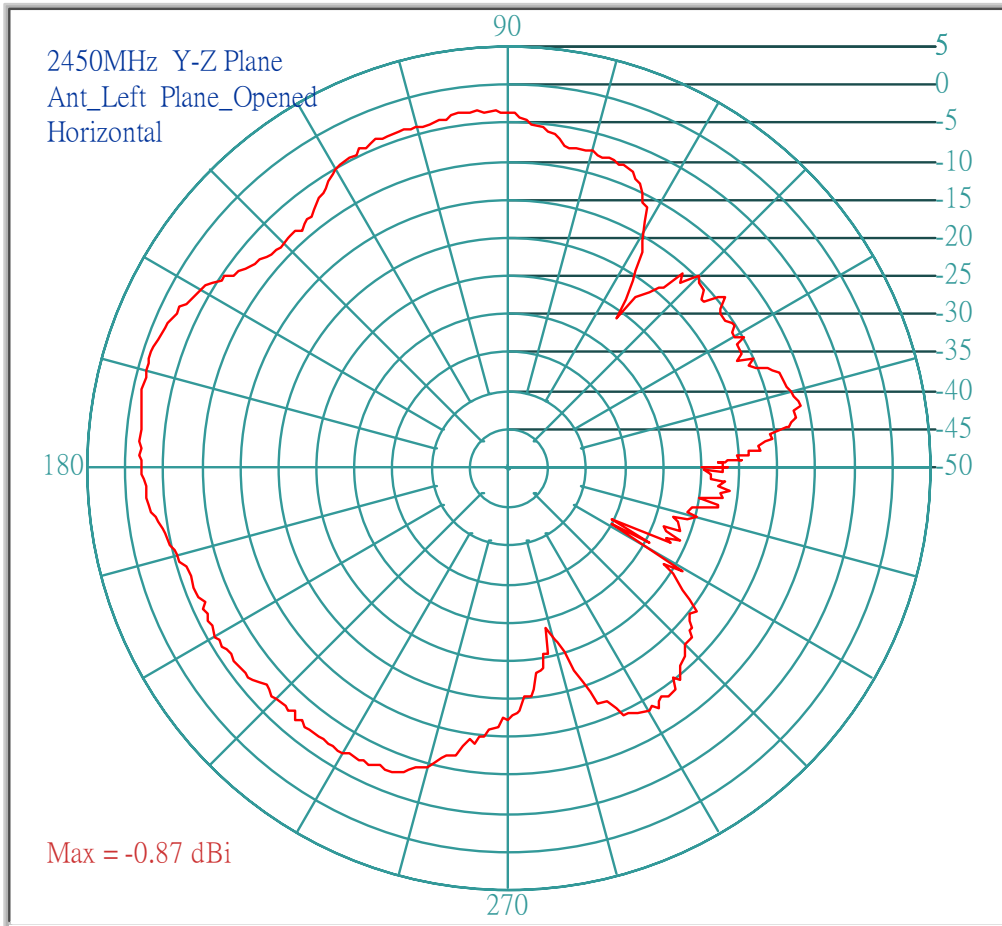
A011



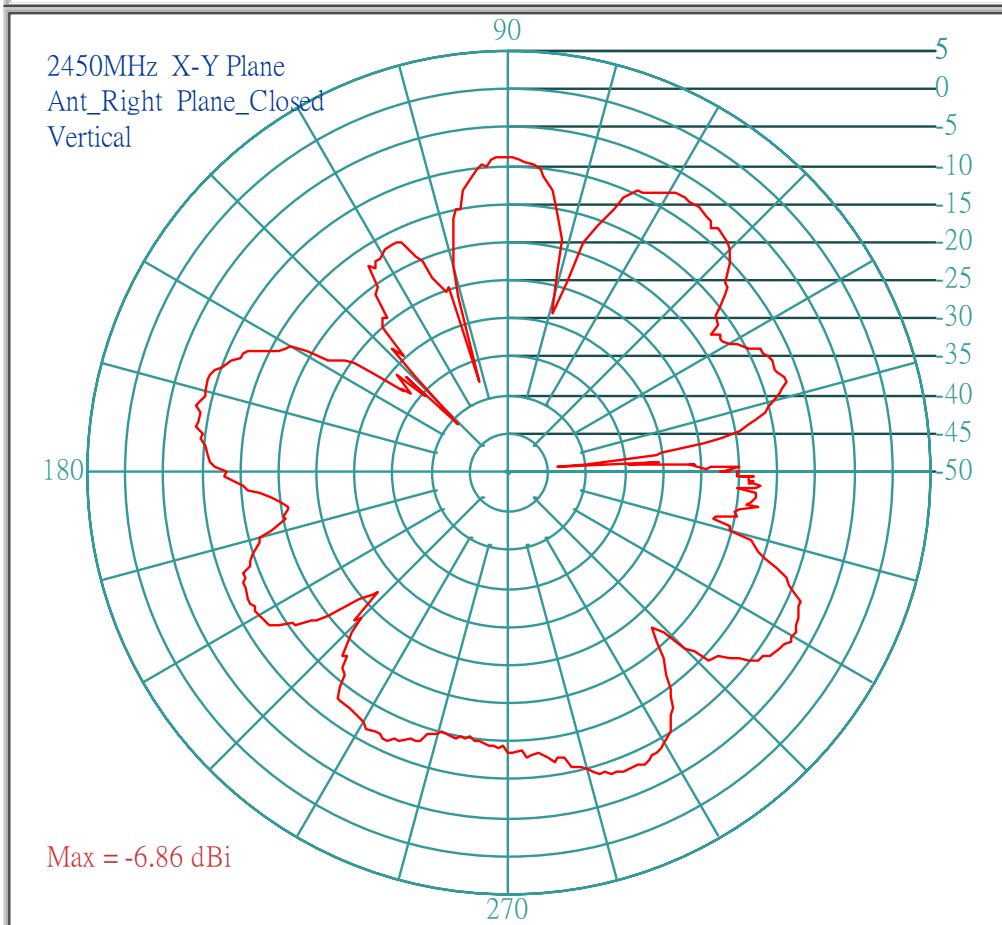
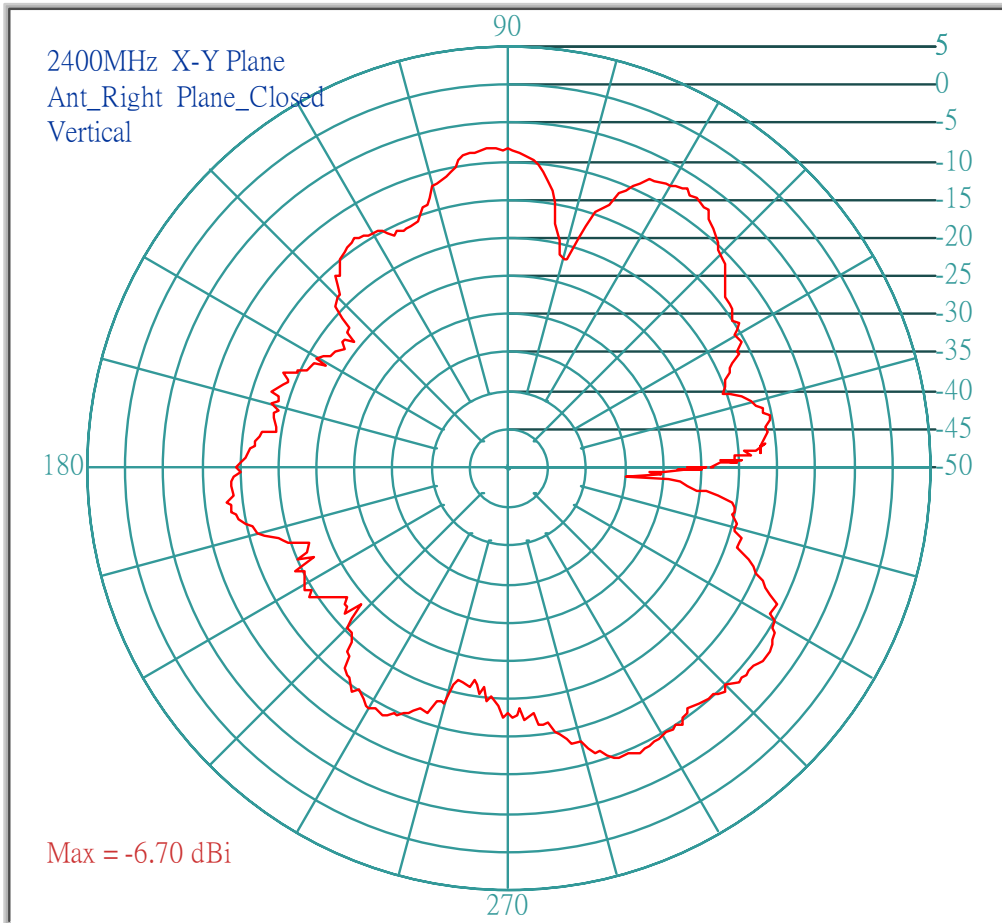
A011



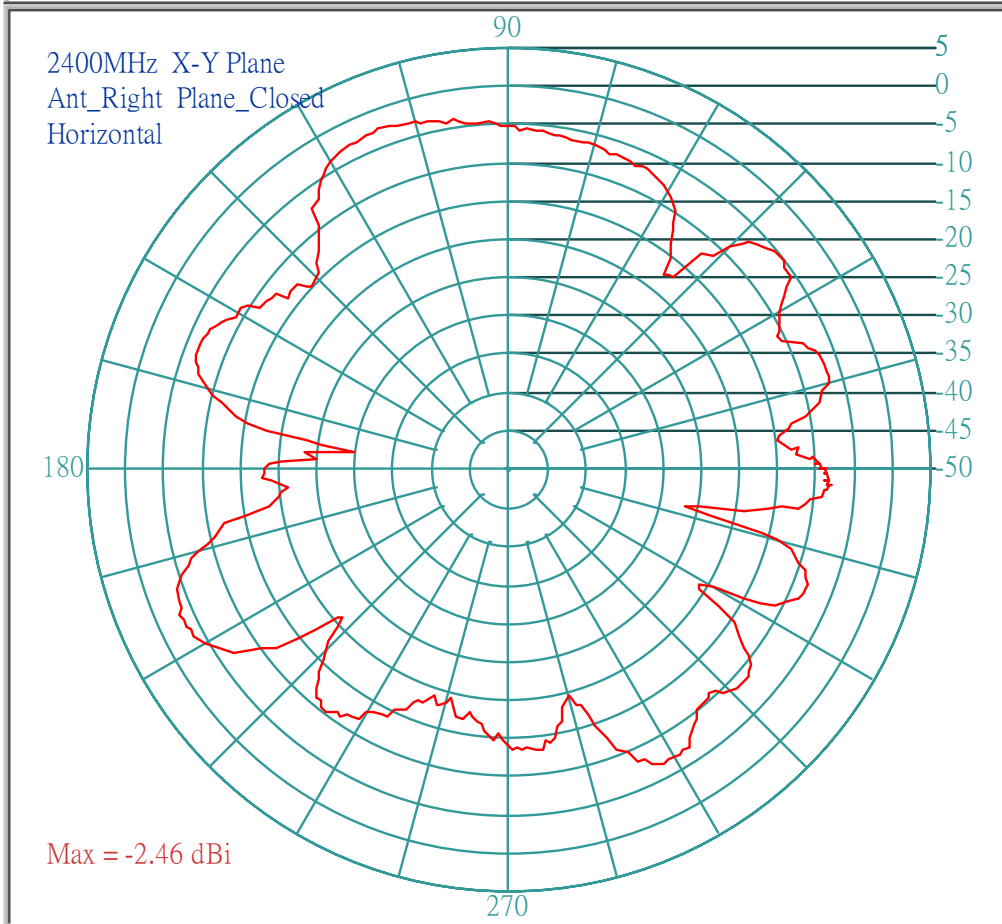
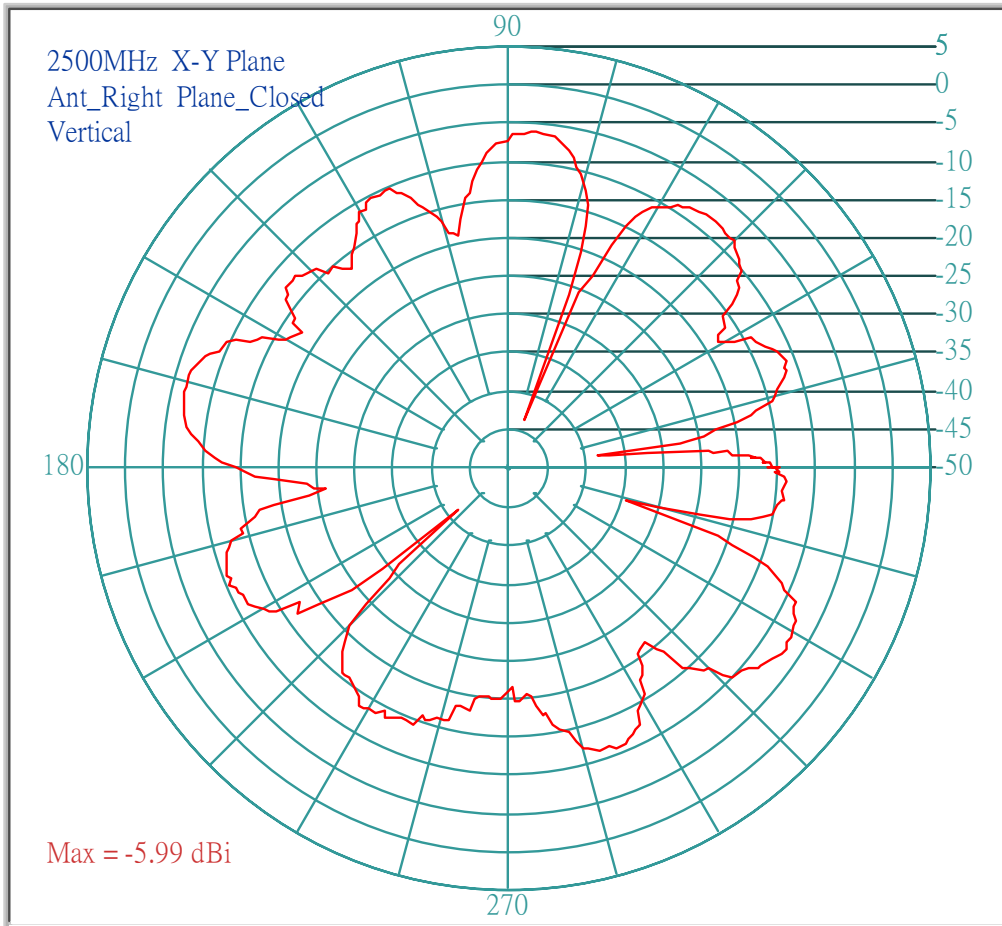
A011



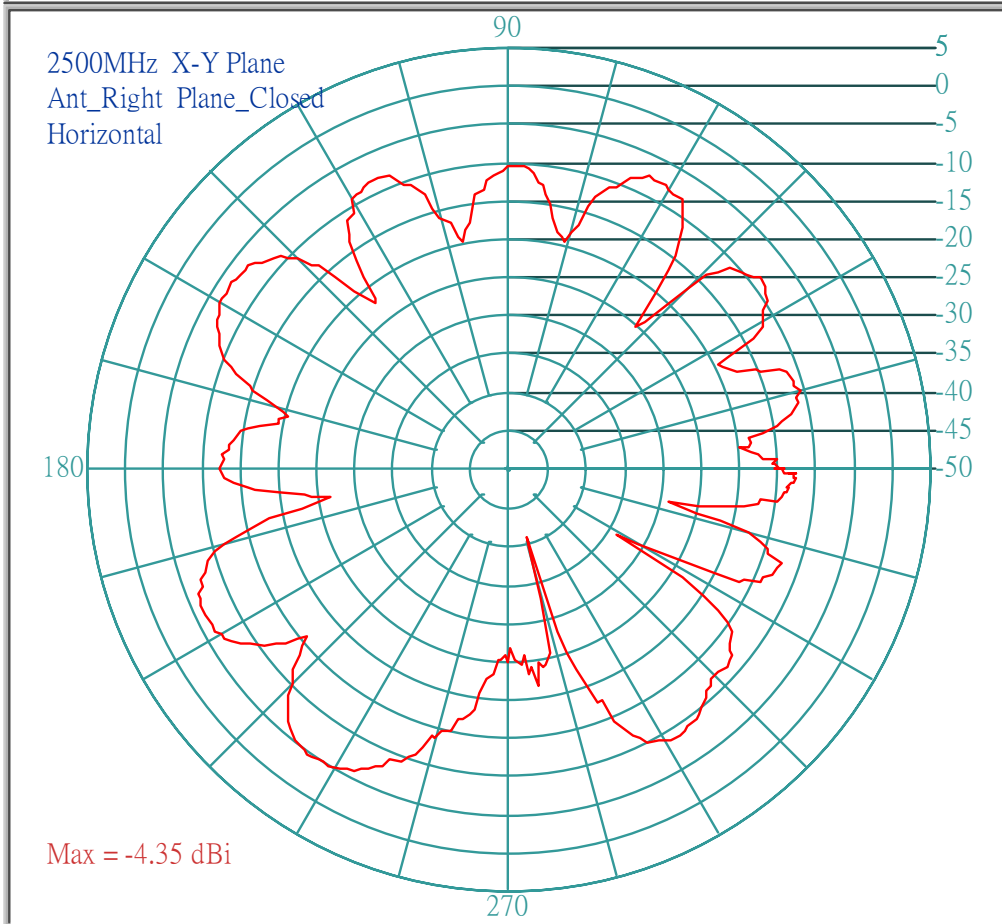
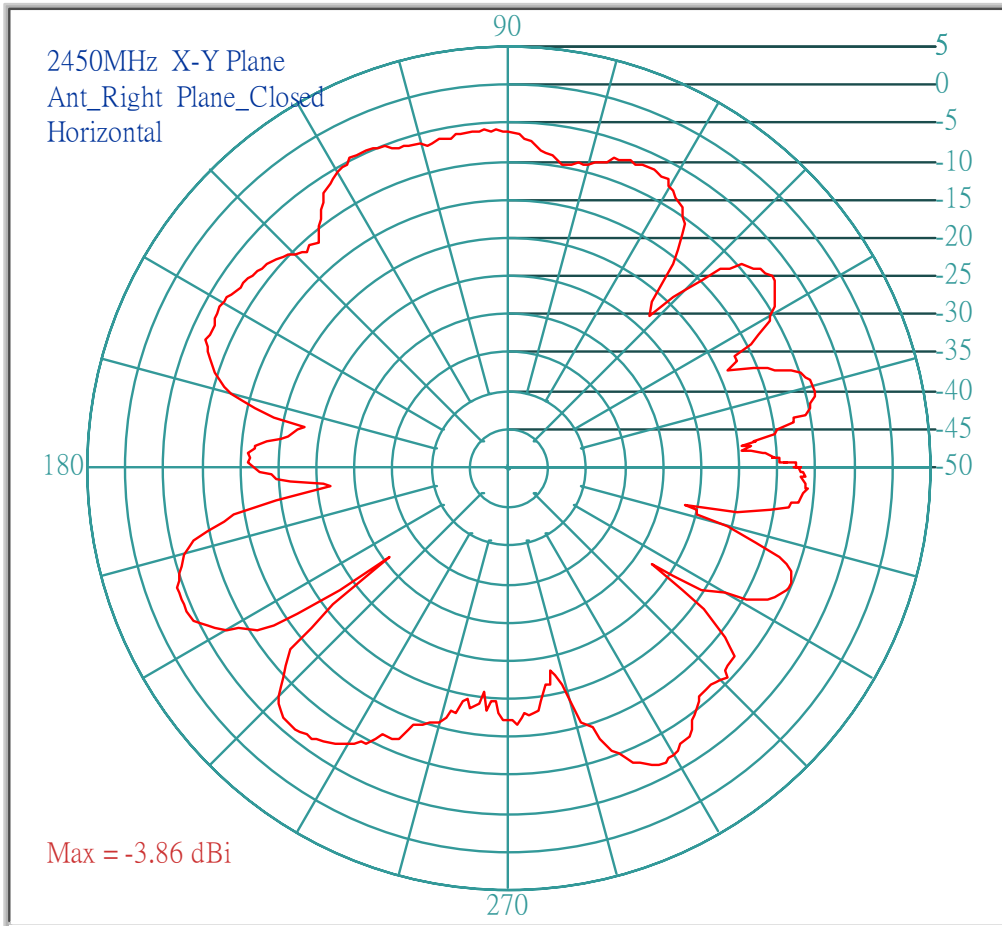
A011



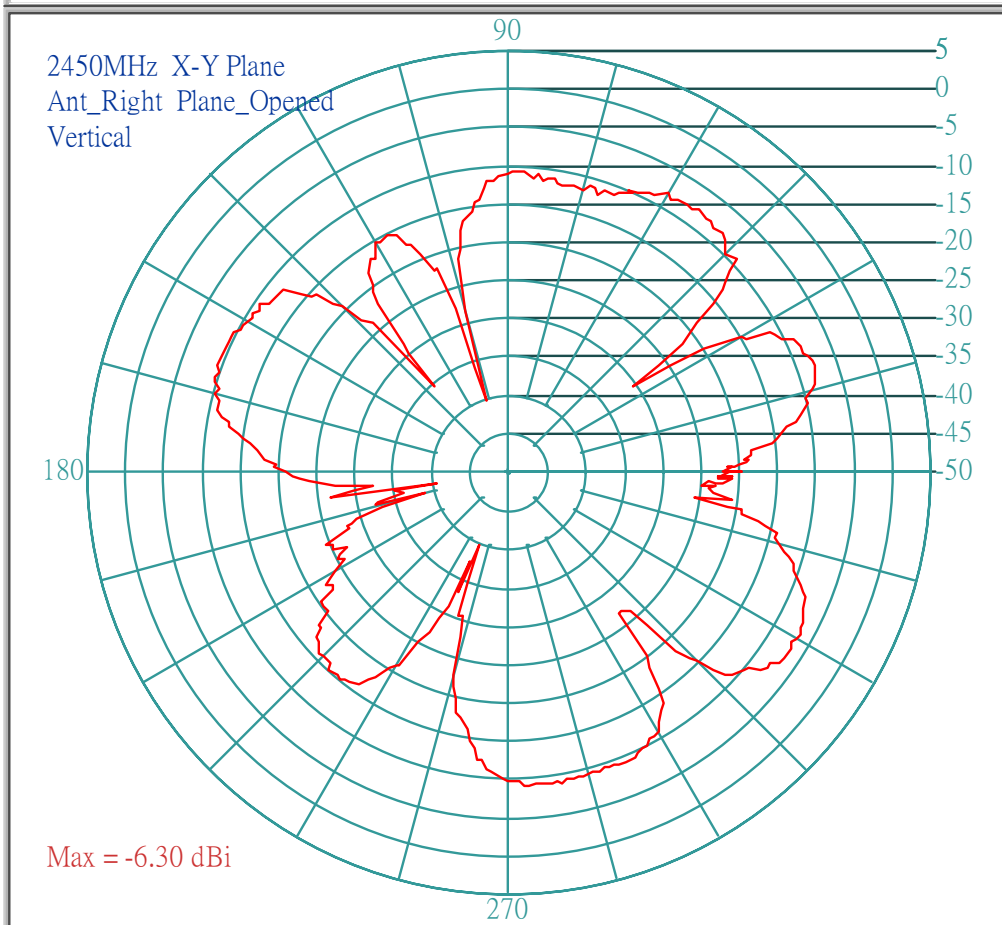
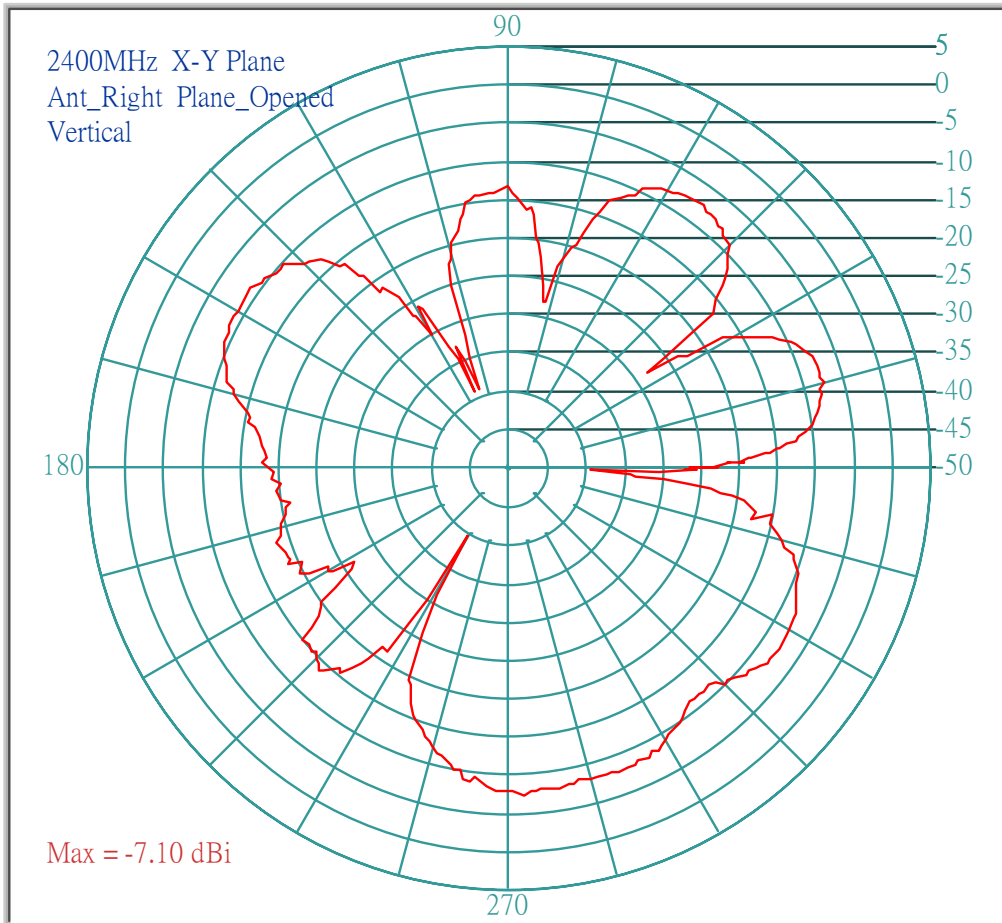
A011



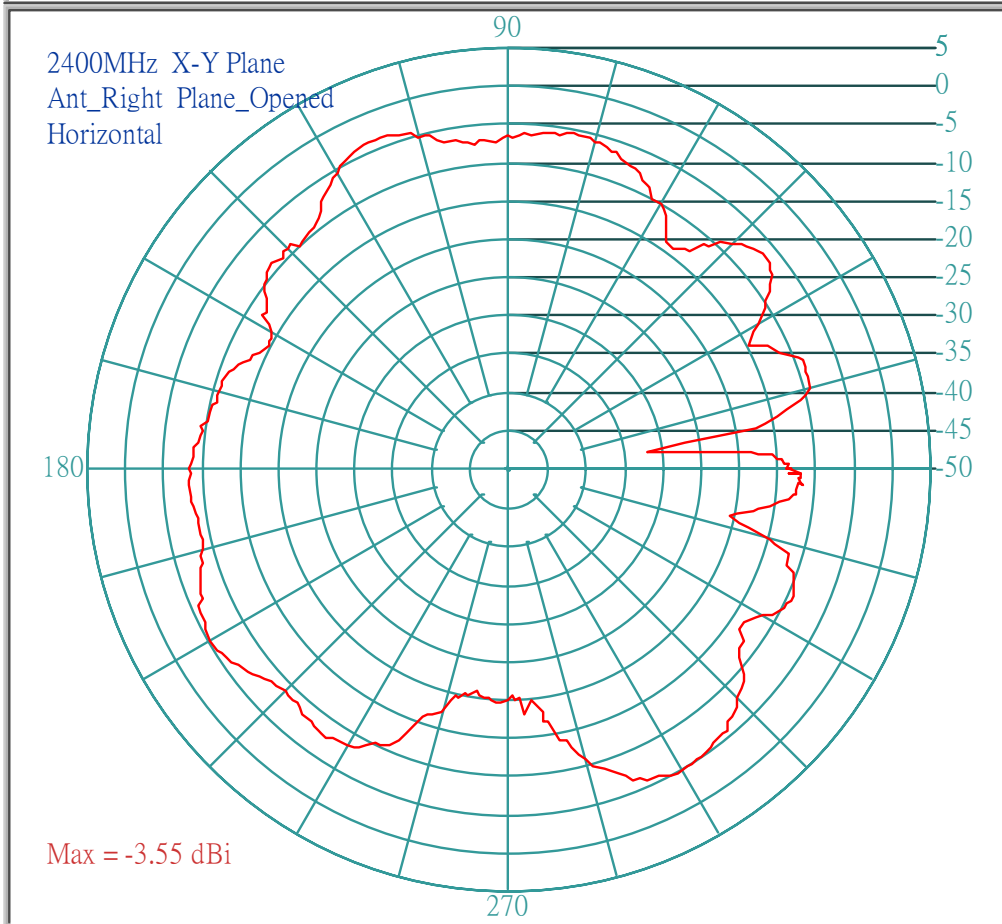
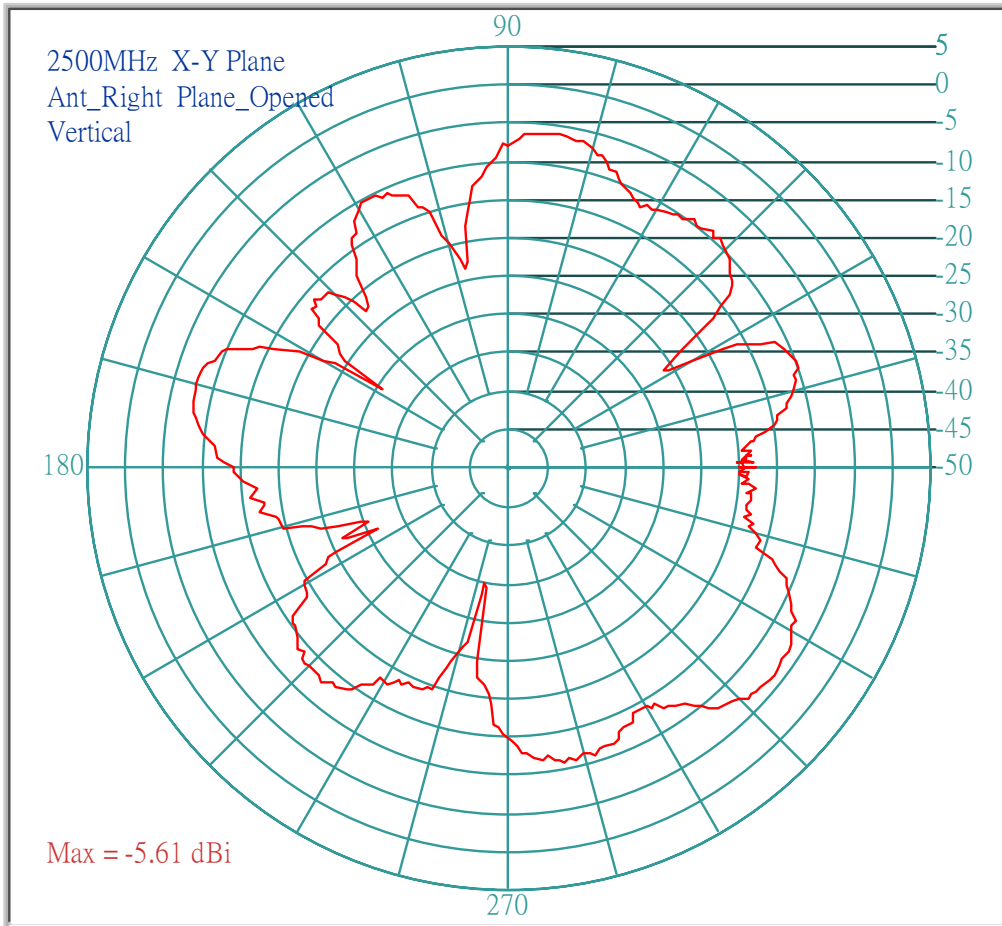
A011



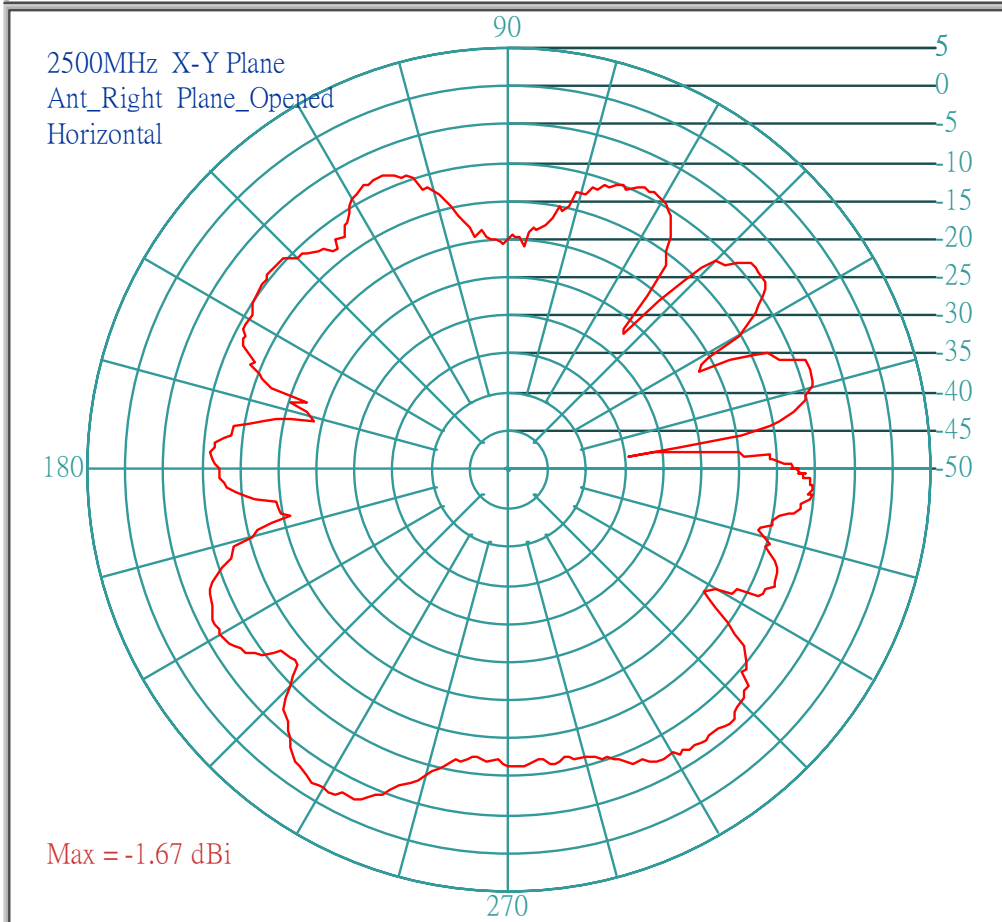
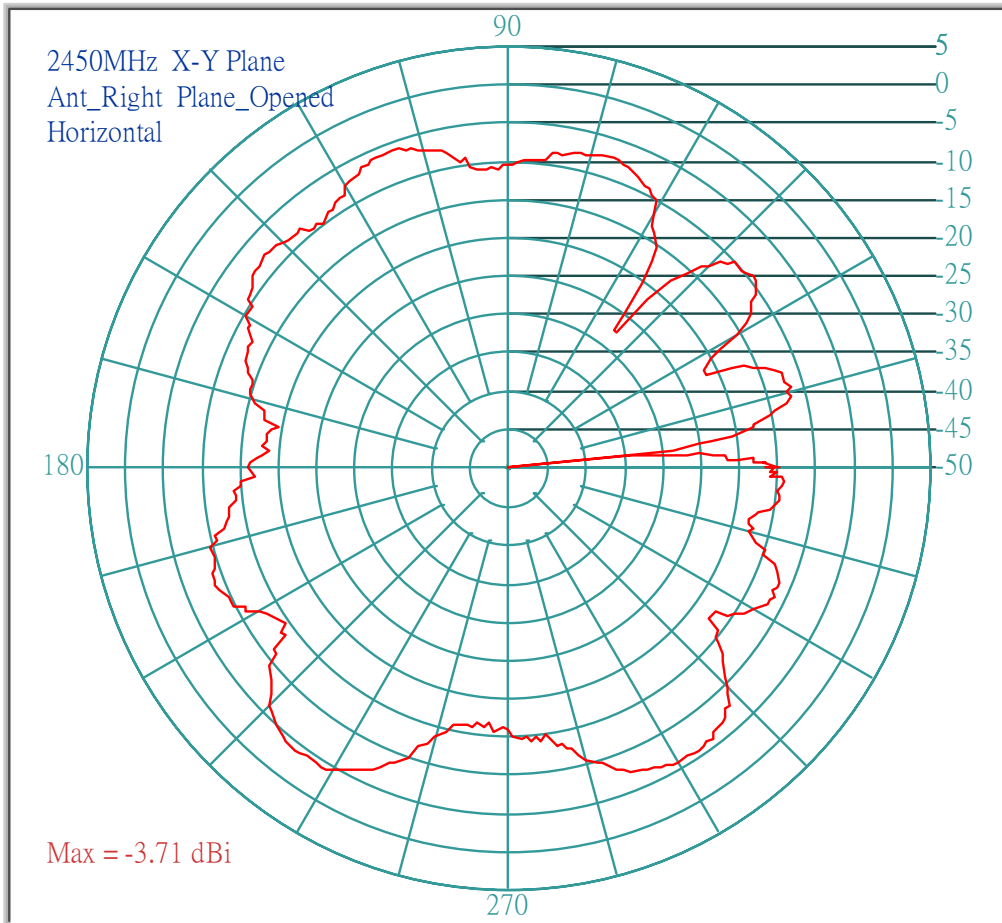
A011



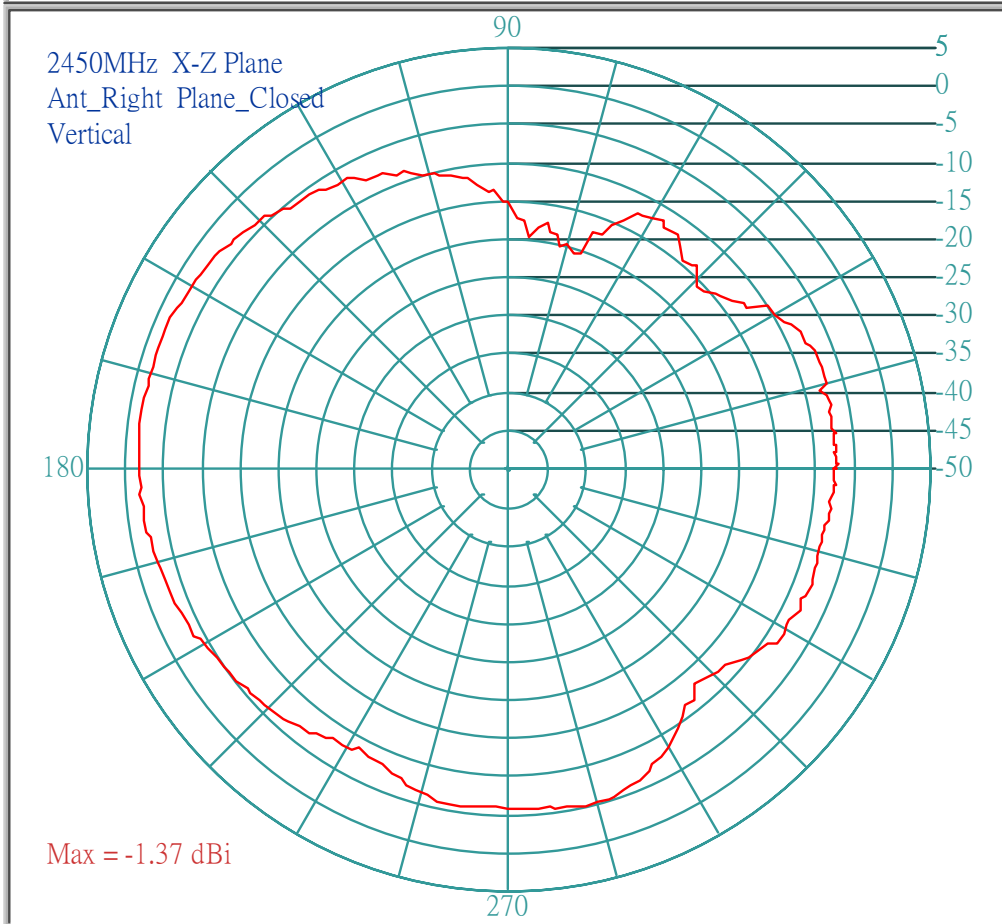
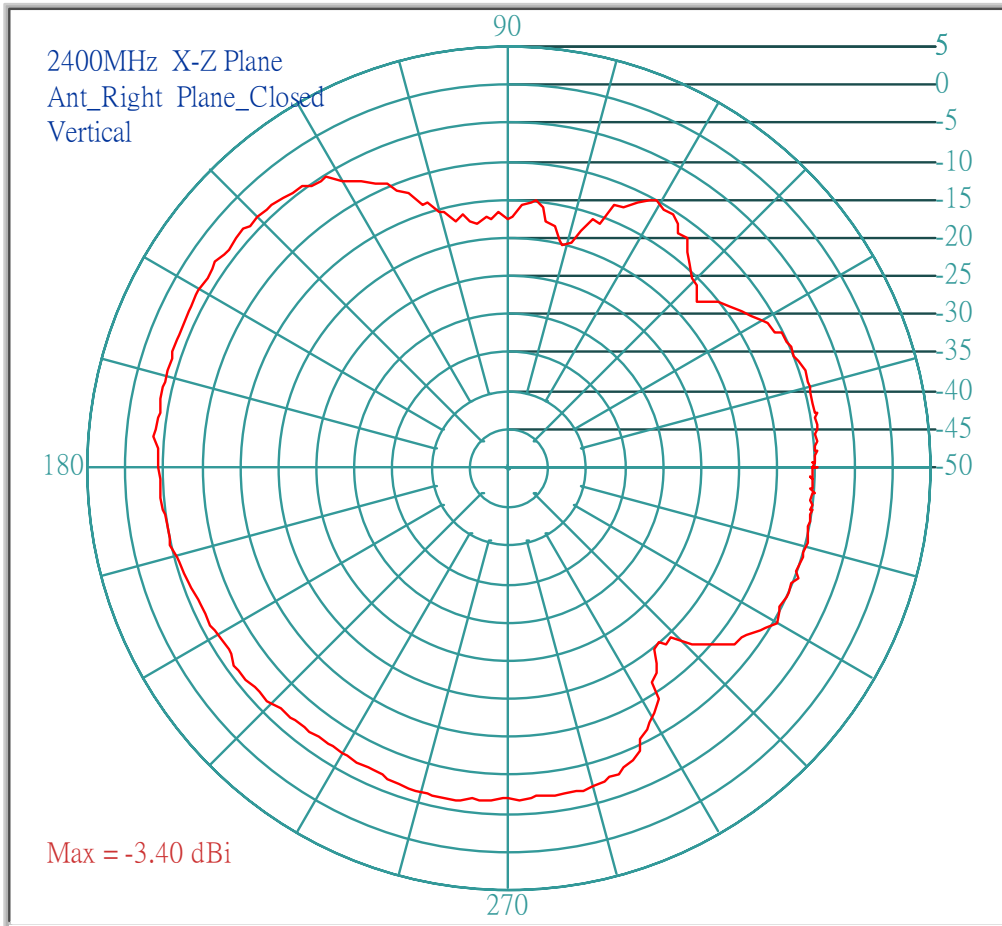
A011



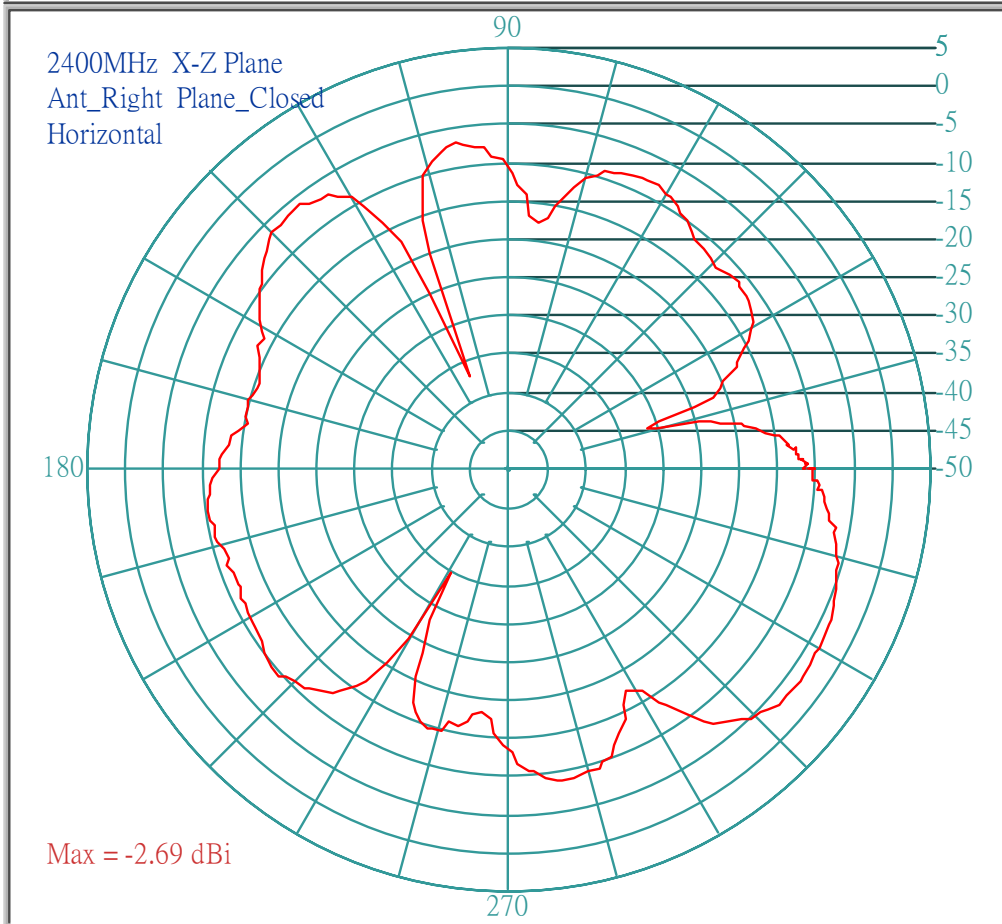
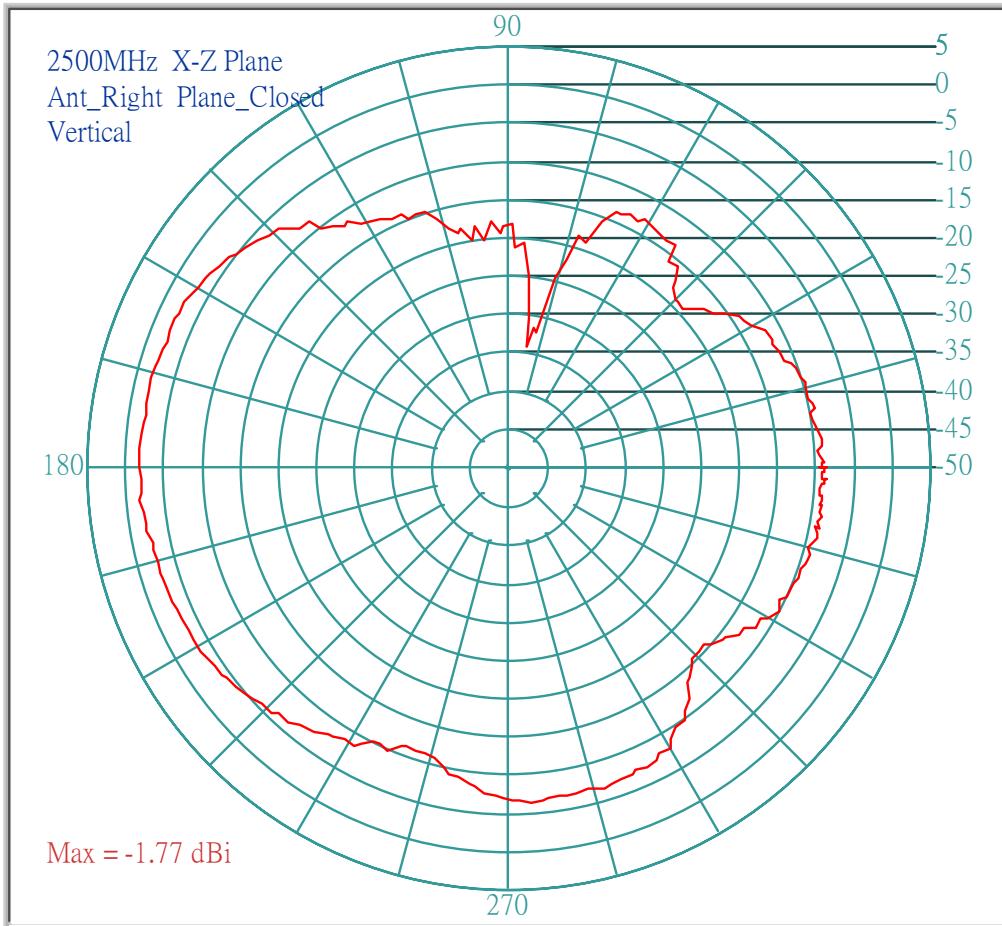
A011



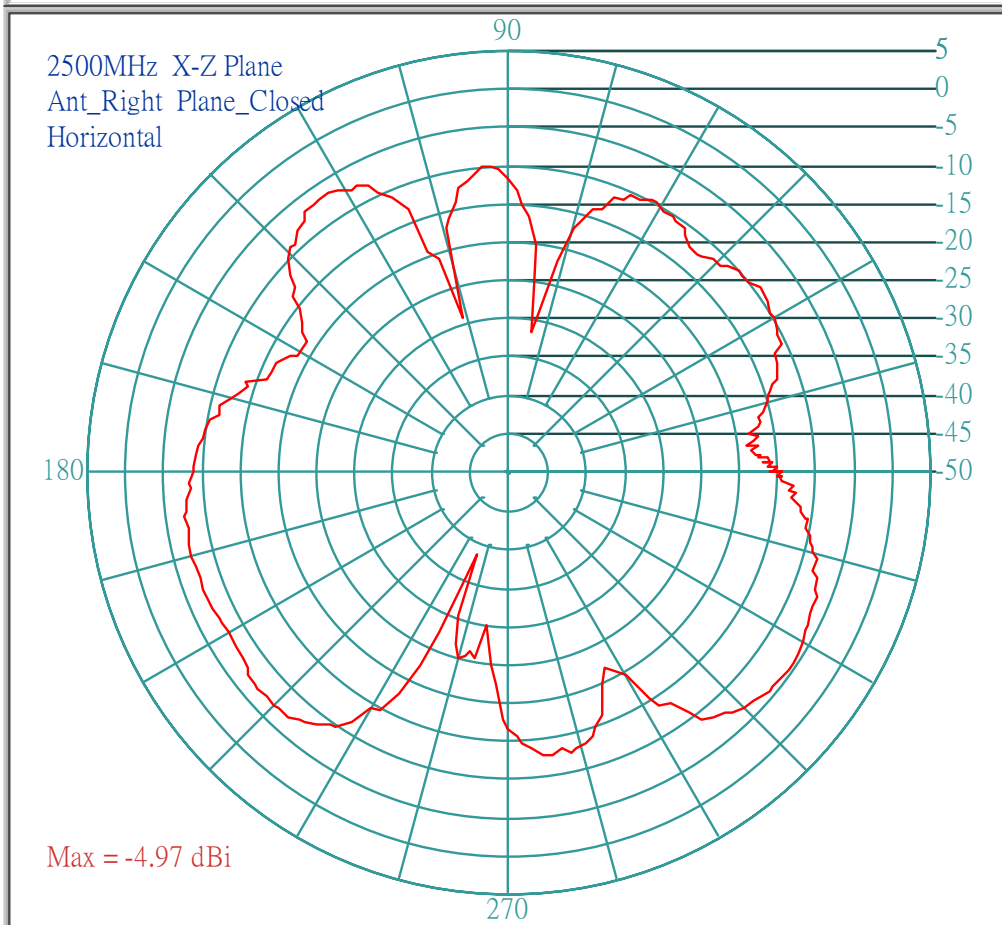
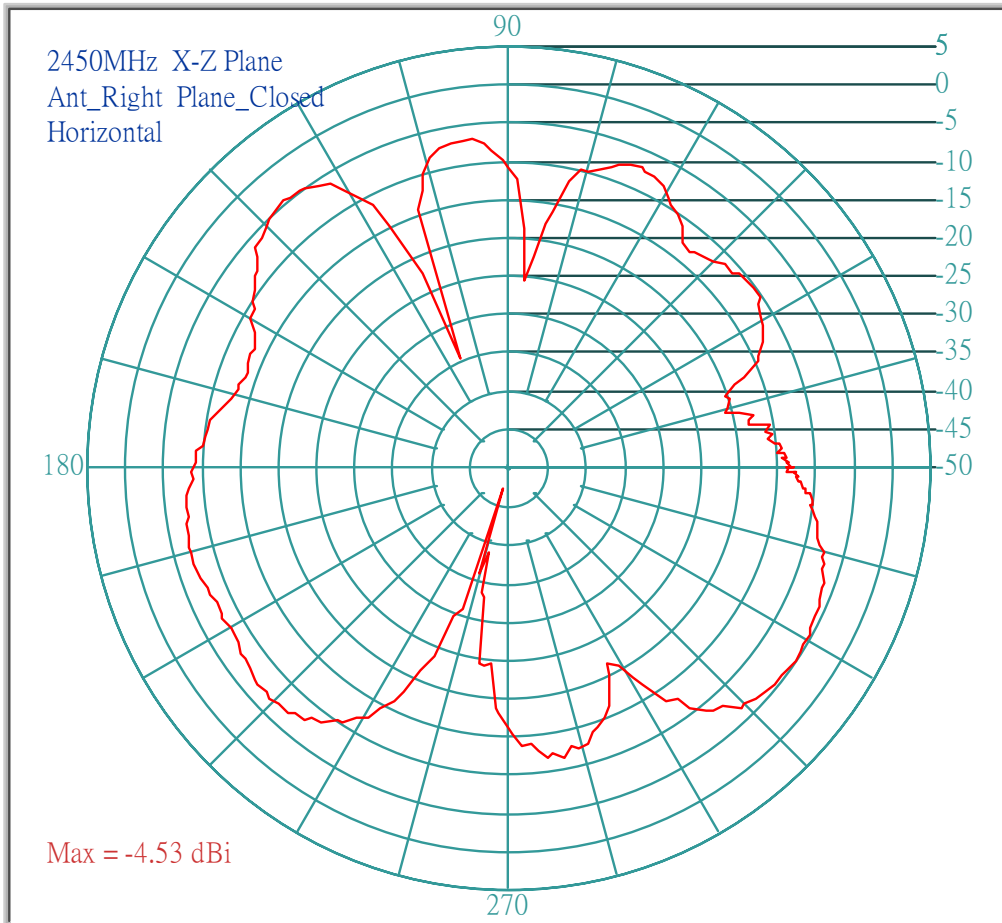
A011



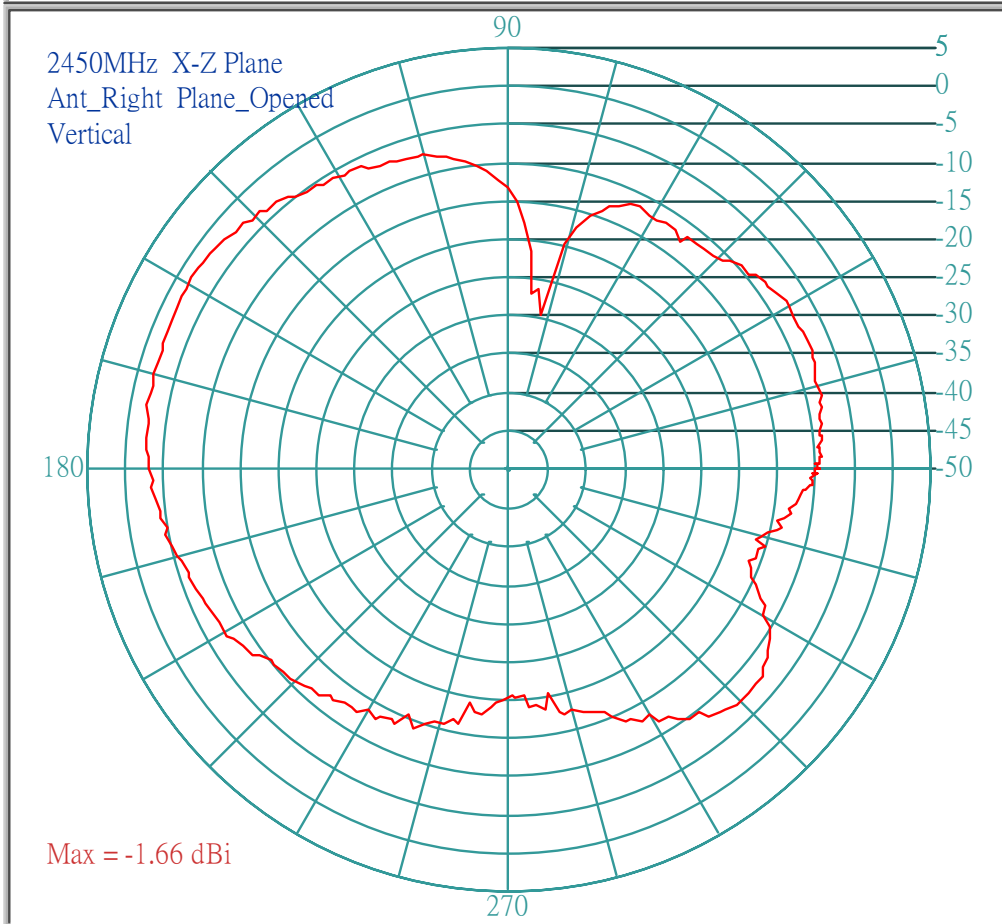
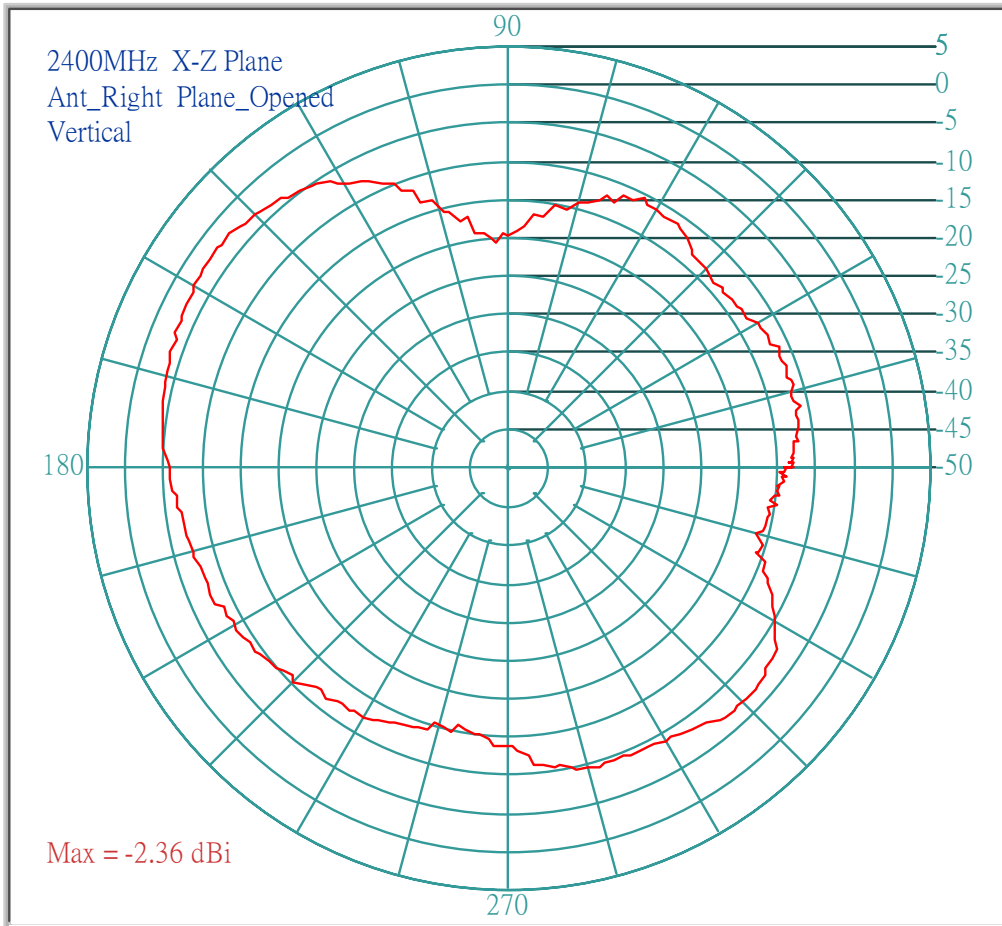
A011



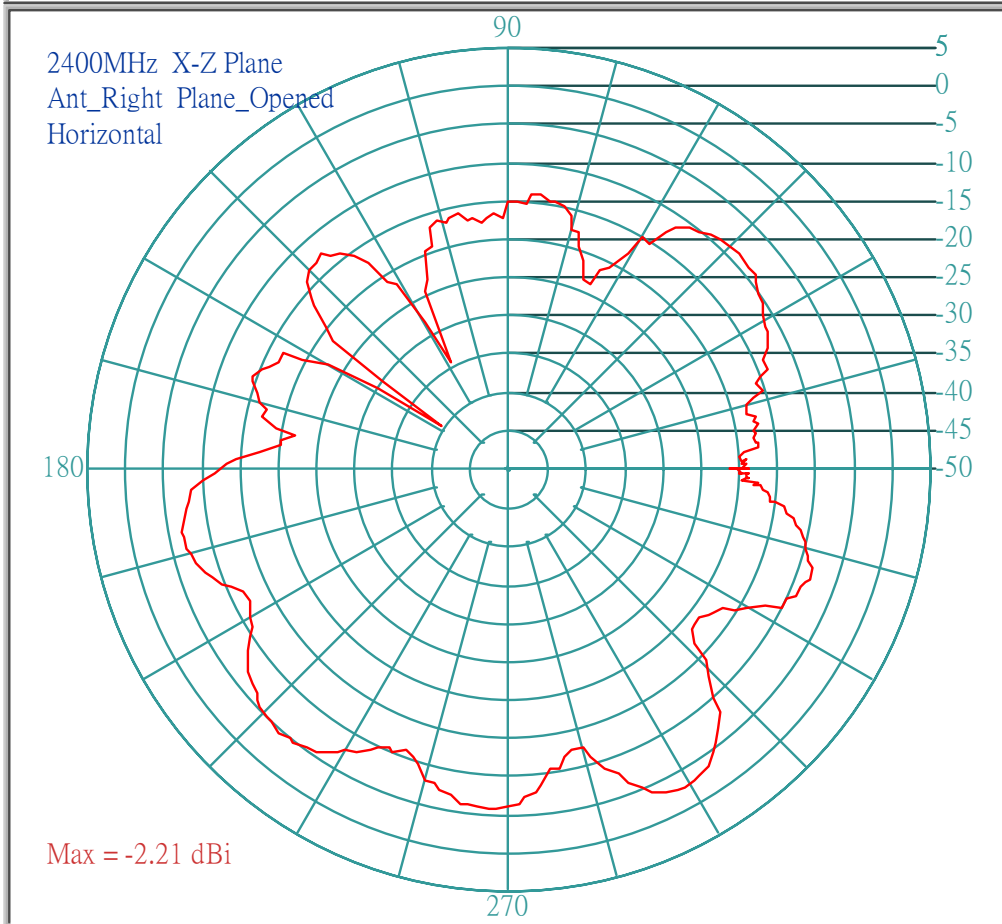
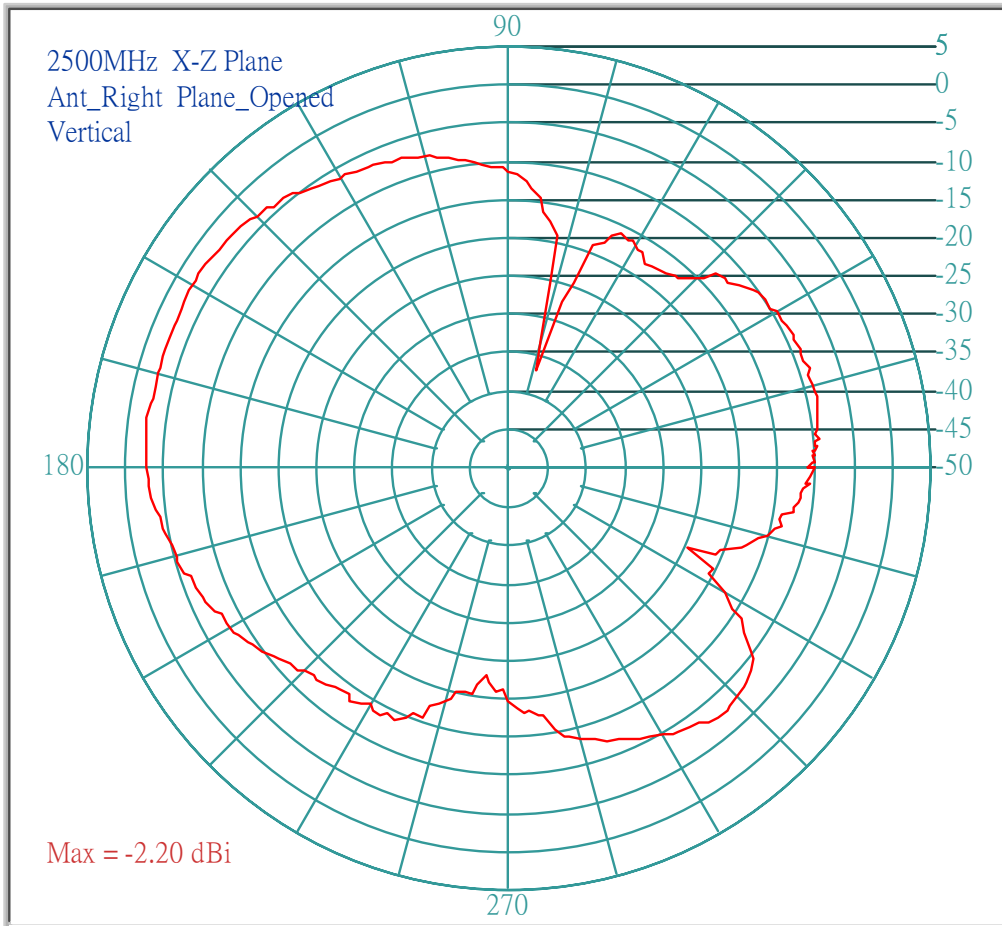
A011



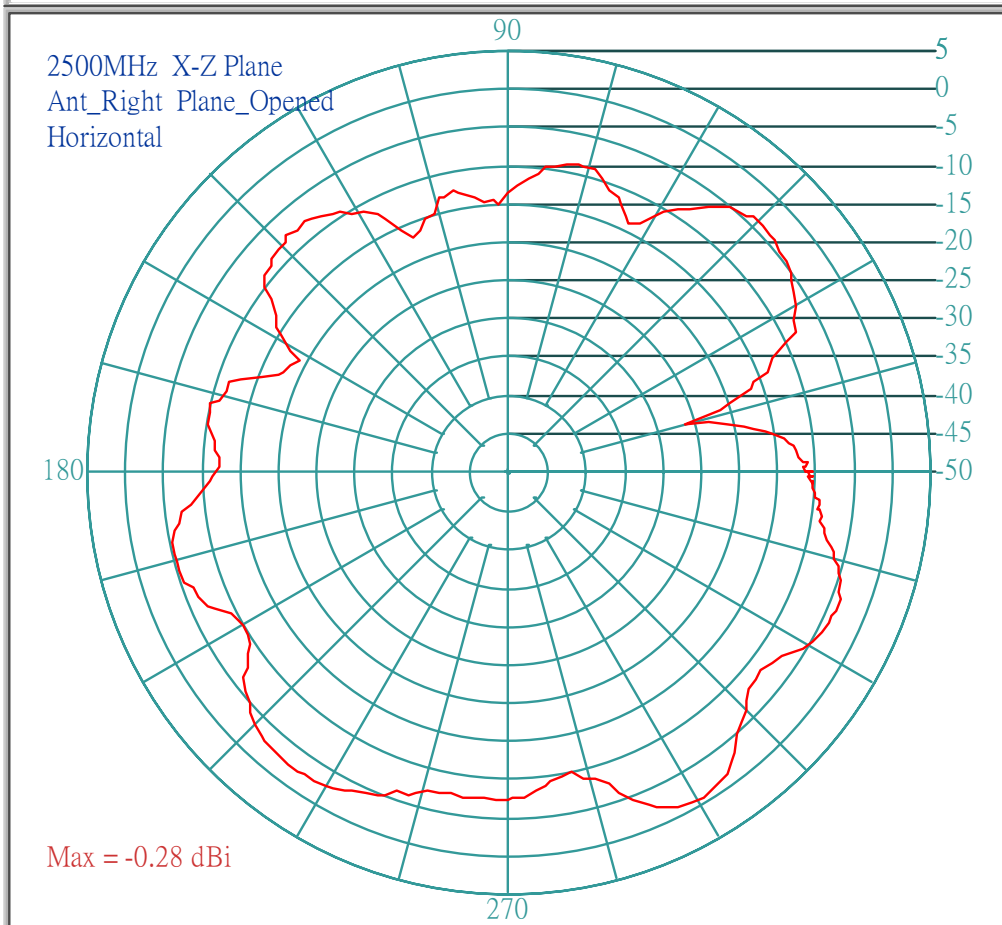
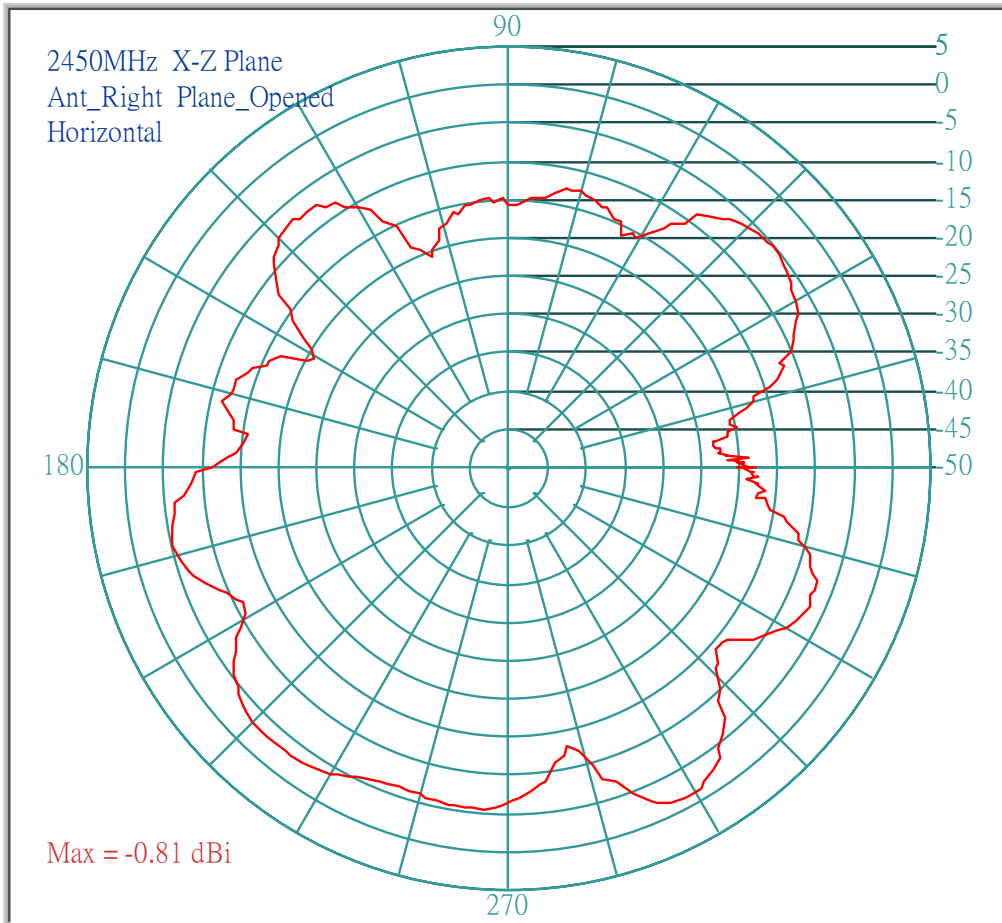
A011



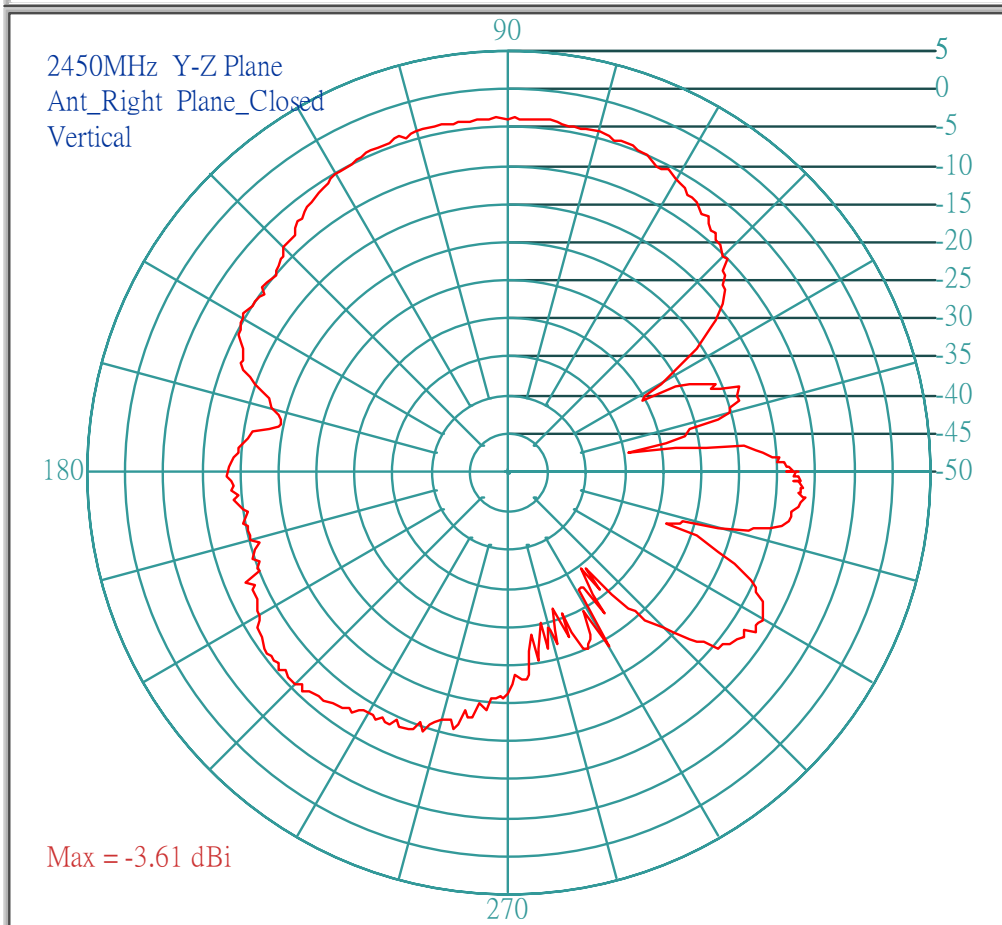
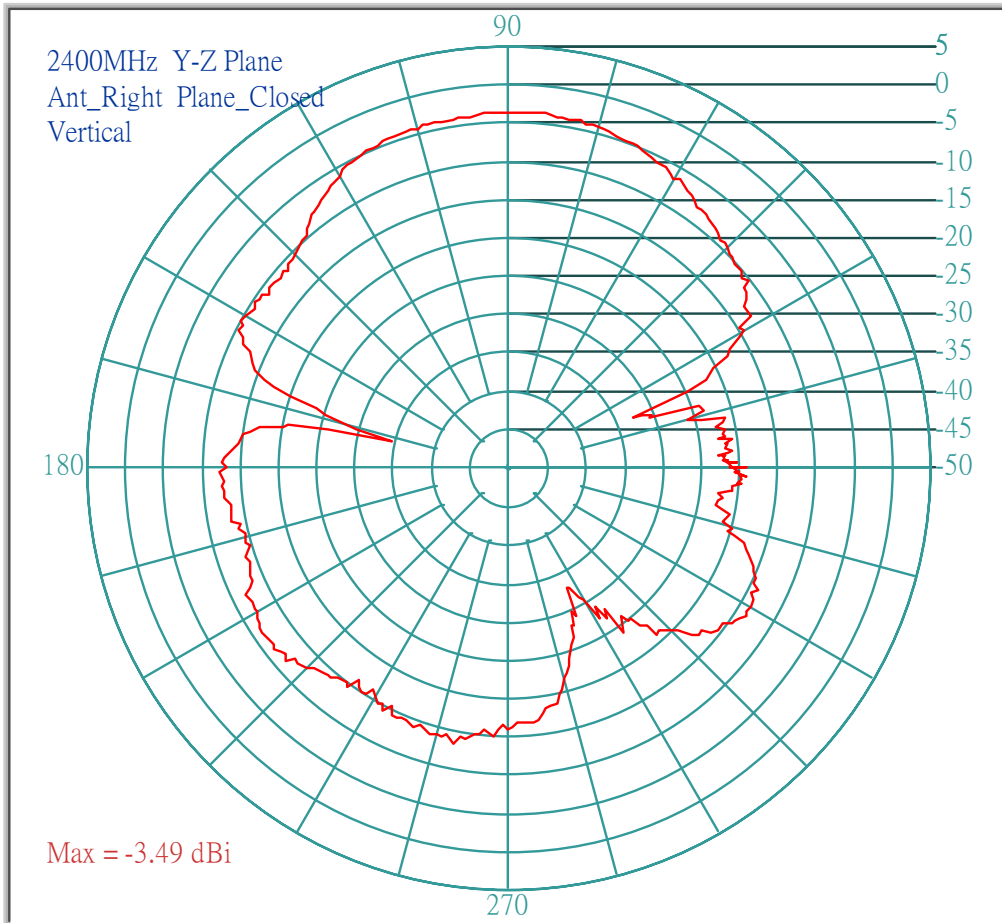
A011



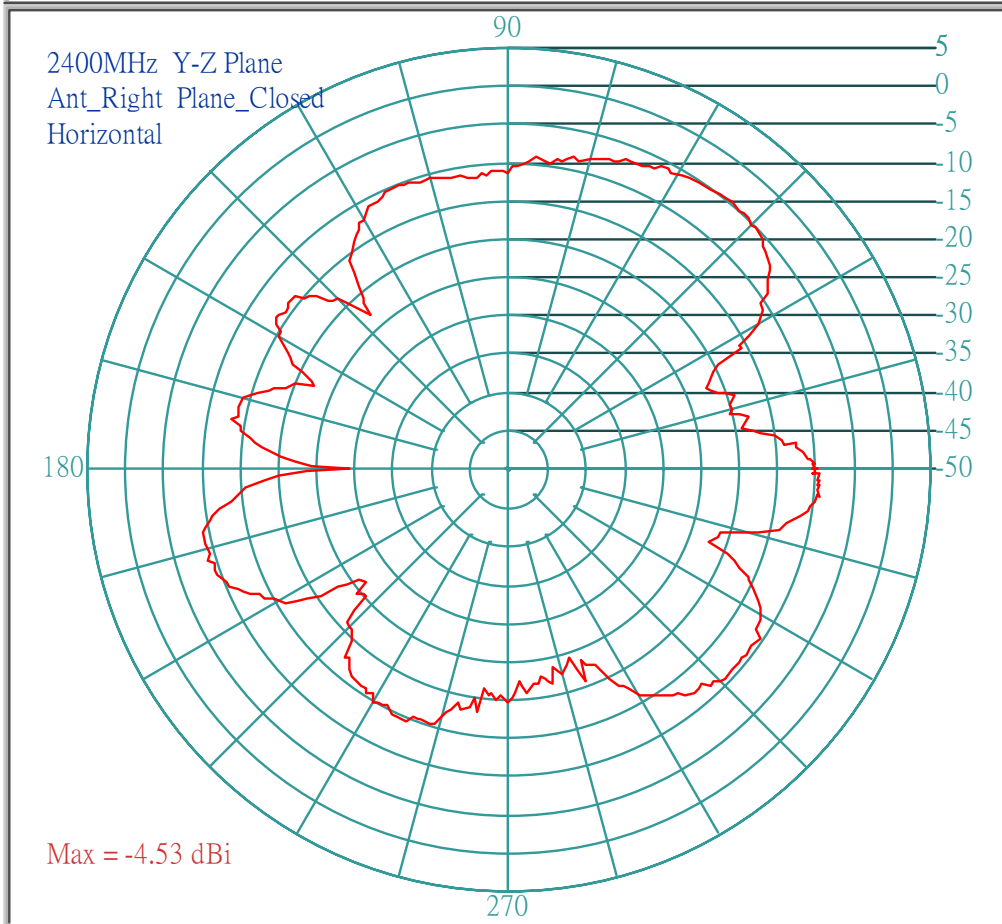
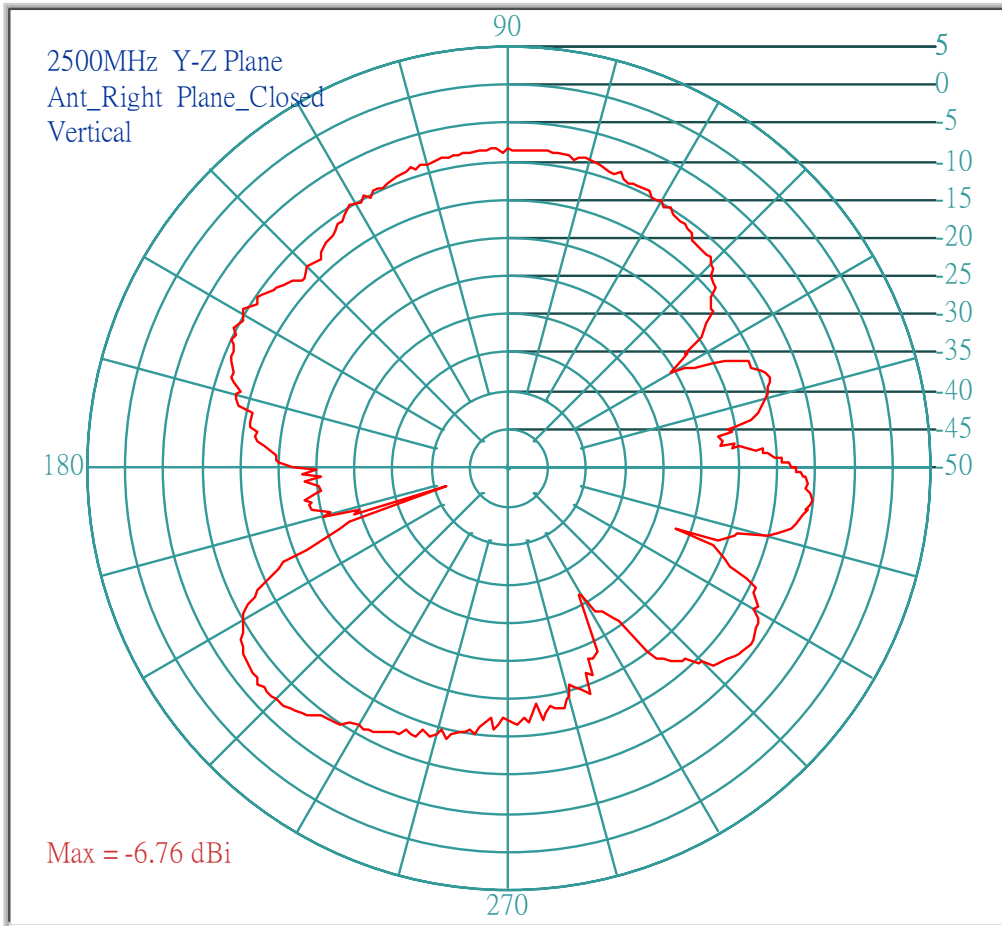
A011



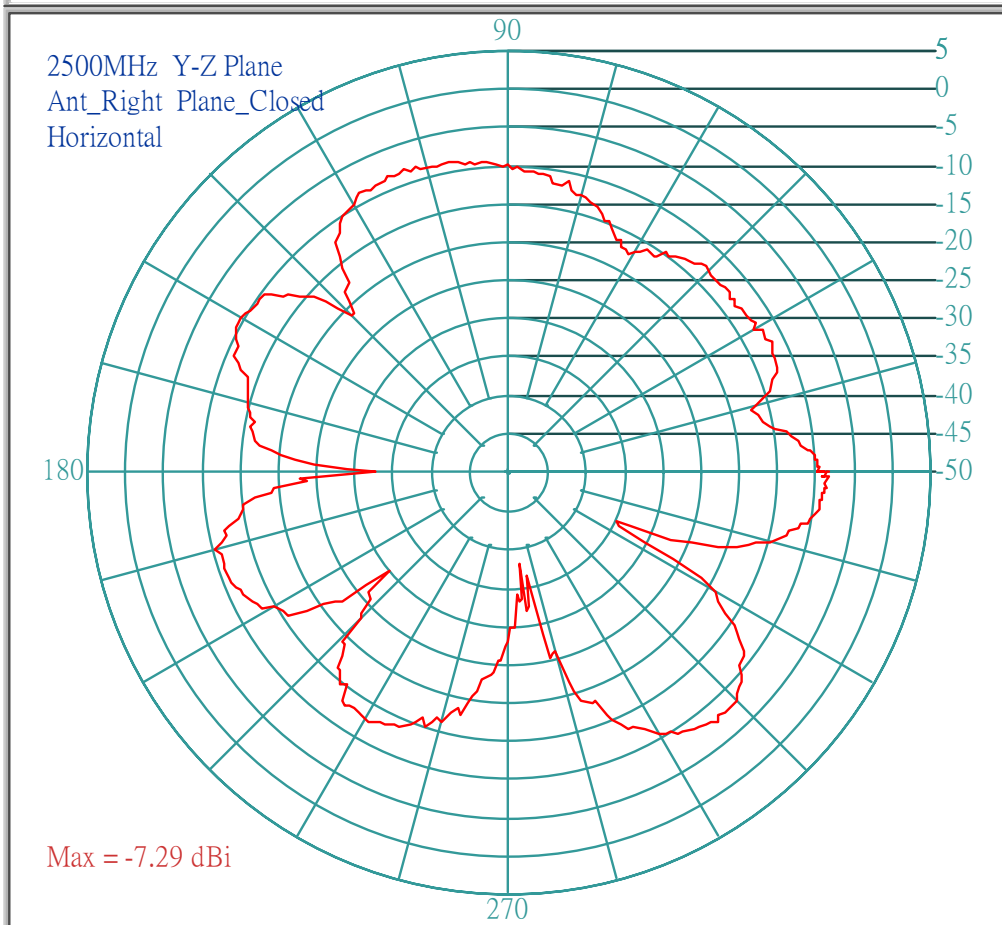
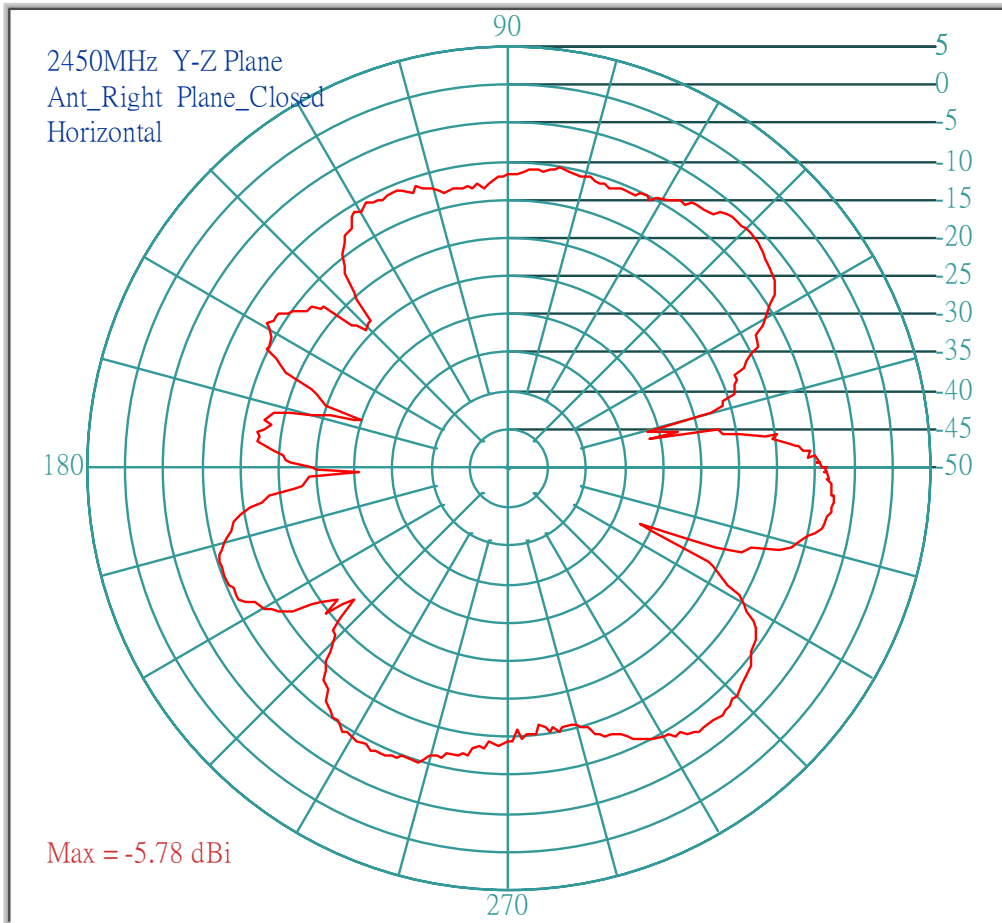
A011



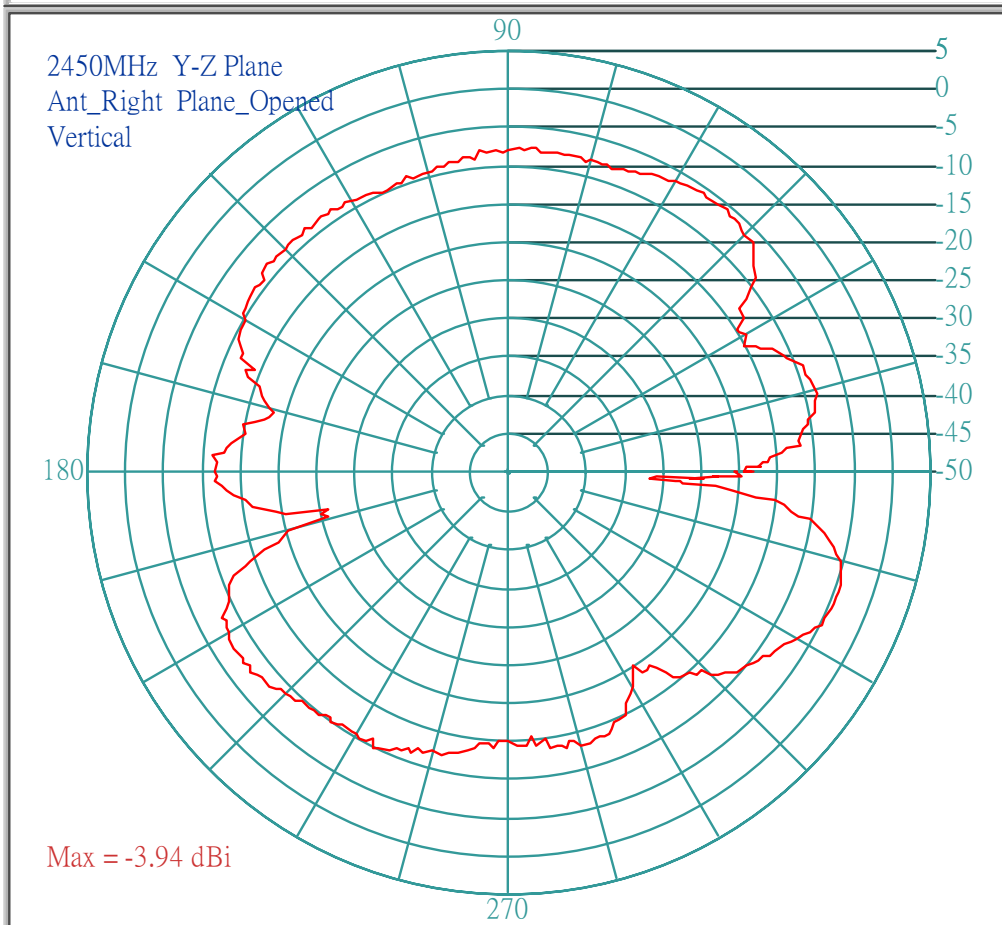
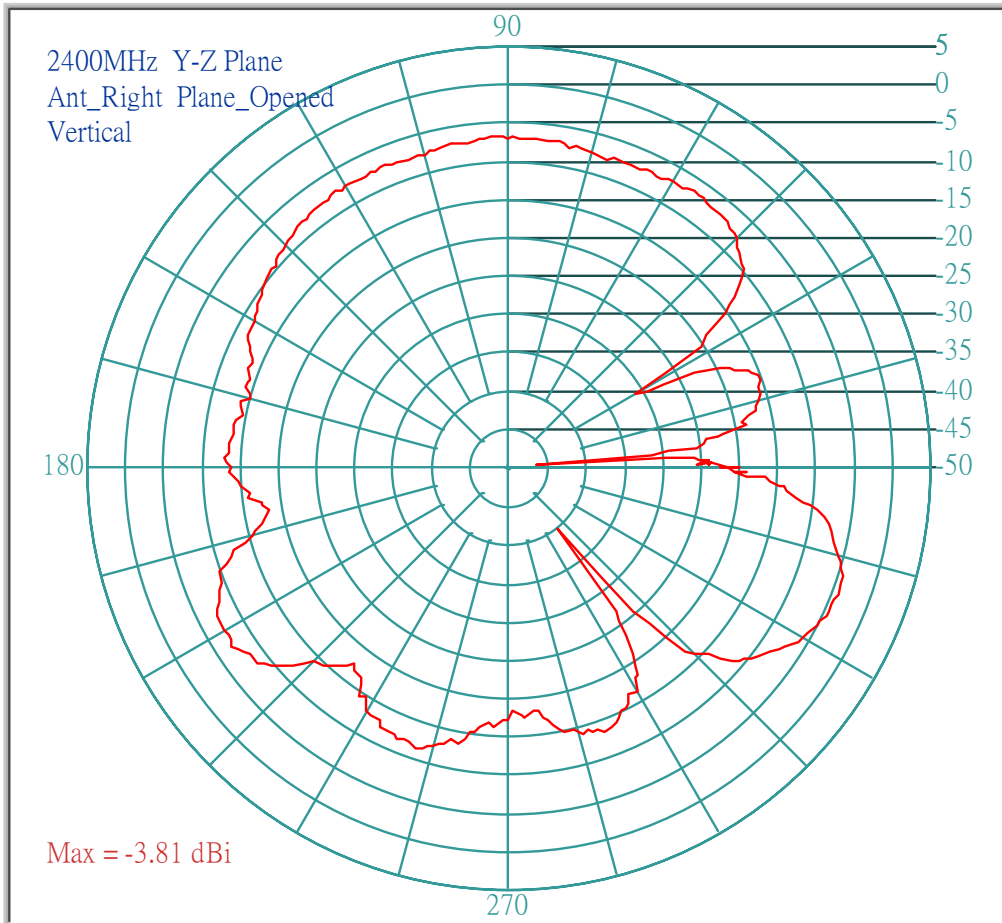
A011



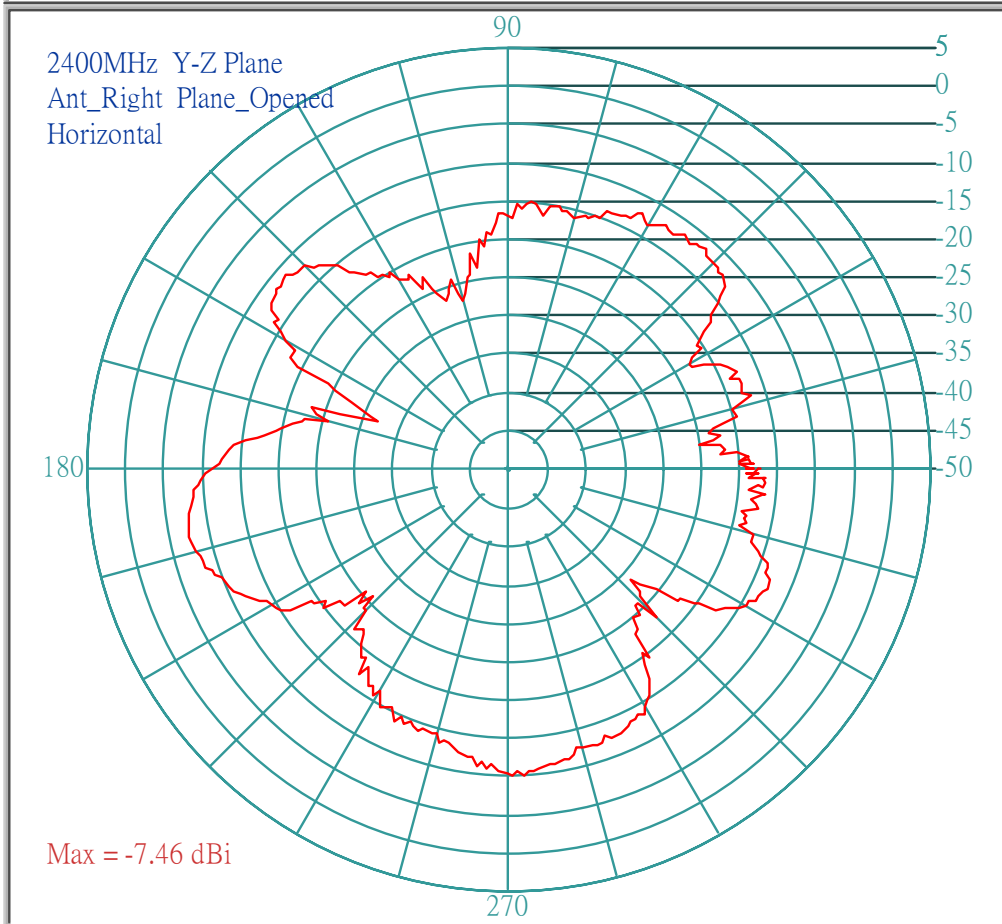
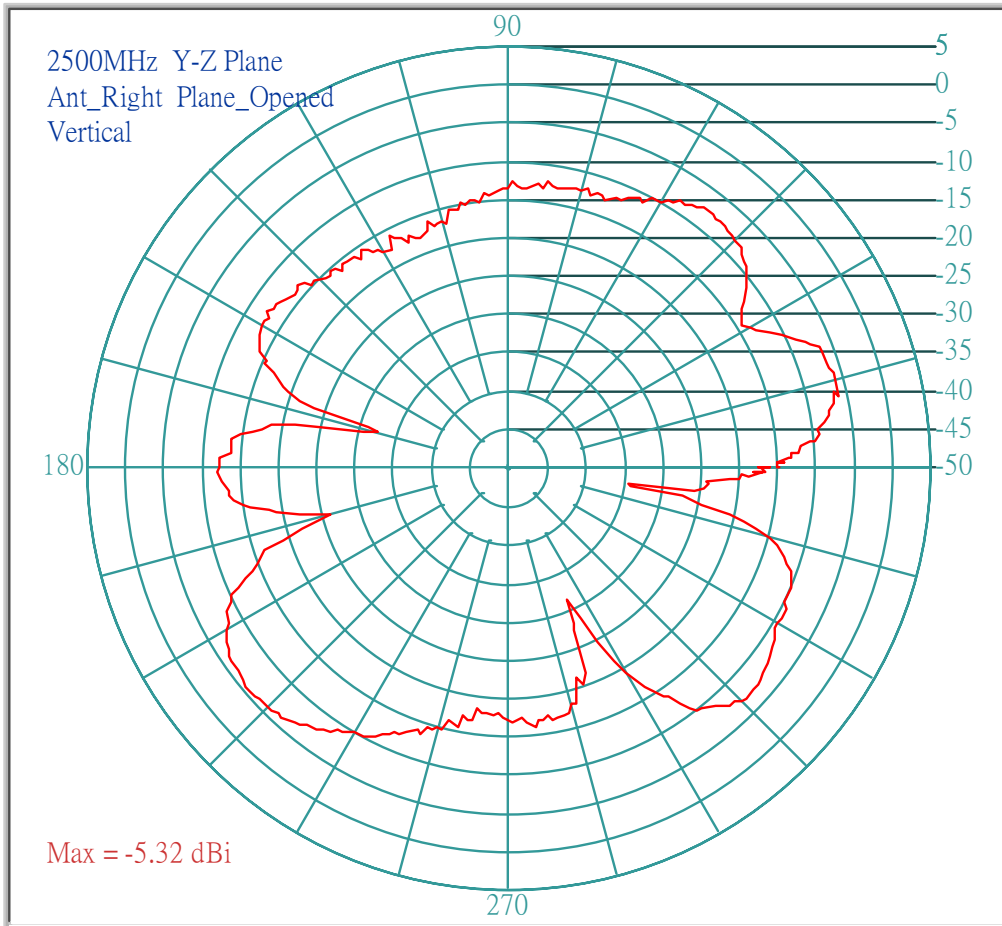
A011



A011



A011



A011

