

FCC

RF Test Report

Applicant : BenQ Corporation
Product Type : treVolo S Bluetooth® Speaker
Trade Name : BenQ
Model Number : AU3000
Test Specification : FCC 47 CFR PART 15 SUBPART C
ANSI C63.10:2013
Receive Date : Jan. 29, 2016
Test Period : Jan. 29 ~ Feb. 01, 2016
Issue Date : Mar. 18, 2016

Issue by

A Test Lab Techno Corp.
No. 140-1, Changan Street, Bade District,
Taoyuan City 33465, Taiwan (R.O.C)
Tel : +886-3-2710188 / Fax : +886-3-2710190



Taiwan Accreditation Foundation accreditation number: 1330

Note: This report shall not be reproduced except in full, without the written approval of A Test Lab Techno Corp. This document may be altered or revised by A Test Lab Techno Corp. personnel only, and shall be noted in the revision section of the document. The client should not use it to claim product endorsement by TAF, or any government agencies. The test results in the report only apply to the tested sample.

Revision History

Rev.	Issue Date	Revisions	Revised By
00	Mar. 04, 2016	Initial Issue	
01	Mar. 18, 2016	Revised report information.	Snow Wang

Verification of Compliance

Issued Date: Mar. 18, 2016

Applicant : BenQ Corporation
Product Type : treVolo S Bluetooth® Speaker
Trade Name : BenQ
Model Number : AU3000
FCC ID : JVPAU3000
EUT Rated Voltage : DC 5.0V, 2.0A
Test Voltage : 120 Vac / 60 Hz
Applicable Standard : FCC 47 CFR PART 15 SUBPART C
ANSI C63.10:2013

Test Result : Complied

Performing Lab. : A Test Lab Techno Corp.

No. 140-1, Changan Street, Bade District,
Taoyuan City 33465, Taiwan (R.O.C)

Tel : +886-3-2710188 / Fax : +886-3-2710190

Taiwan Accreditation Foundation accreditation number: 1330

<http://www.atl-lab.com.tw/e-index.htm>



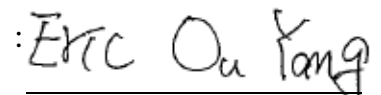
A Test Lab Techno Corp. tested the above equipment in accordance with the requirements set forth in the above standards. All indications of Pass/Fail in this report are opinions expressed by A Test Lab Techno Corp. based on interpretations and/or observations of test results. Measurement Uncertainties were not taken into account and are published for informational purposes only. The test results show that the equipment tested is capable of demonstrating compliance with the requirements as documented in this report.

Approved By



(Manager)

Reviewed By



(Testing Engineer)

(Eric Ou Yang)

TABLE OF CONTENTS

1	General Information.....	6
	1.1. Summary of Test Result.....	6
	1.2. Measurement Uncertainty.....	6
2	EUT Description.....	7
3	Test Methodology.....	8
	3.1. Mode of Operation.....	8
	3.2. EUT Exercise Software.....	8
	3.3. Configuration of Test System Details.....	9
	3.4. Test Site Environment.....	9
4	Maximum Conducted Output Power Measurement.....	11
	4.1. Limit.....	11
	4.2. Test Setup.....	11
	4.3. Test Instruments.....	11
	4.4. Test Procedure.....	11
	4.5. Test Result.....	12
5	Conducted Emission Measurement.....	13
	5.1. Limit.....	13
	5.2. Test Instruments.....	13
	5.3. Test Setup.....	13
	5.4. Test Procedure.....	14
	5.5. Test Result.....	15
6	Radiated Interference Measurement.....	17
	6.1. Limit.....	17
	6.2. Test Instruments.....	17
	6.3. Setup.....	18
	6.4. Test Procedure.....	20
	6.5. Test Result.....	21
7	20dB RF Bandwidth Measurement.....	29
	7.1. Limit.....	29
	7.2. Test Setup.....	29
	7.3. Test Instruments.....	29
	7.4. Test Procedure.....	30
	7.5. Test Result.....	31
	7.6. Test Graphs.....	32

8	Carrier Frequency Separation Measurement	34
	8.1. Limit	34
	8.2. Test Setup.....	34
	8.3. Test Instruments	34
	8.4. Test Procedure.....	35
	8.5. Test Result	36
	8.6. Test Graphs	37
9	Number of Hopping Measurement	39
	9.1. Limit	39
	9.2. Test Setup.....	39
	9.3. Test Instruments	39
	9.4. Test Procedure.....	39
	9.5. Test Result	40
	9.6. Test Graphs	41
10	Time of Occupancy (Dwell Time) Measurement.....	43
	10.1.Limit	43
	10.2.Test Setup.....	43
	10.3.Test Instruments	43
	10.4.Test Procedure.....	43
	10.5.Test Result	44
	10.6.Test Graphs	46
11	Out of Band Conducted Emissions Measurement.....	48
	11.1.Limit	48
	11.2. Test Setup.....	48
	11.3. Test Instruments	48
	11.4. Test Procedure.....	48
	11.5. Test Graphs	49
12	Antenna Measurement	53
	12.1.Limit	53
	12.2.Antenna Connector Construction.....	53

1 General Information

1.1. Summary of Test Result

FCC Standard	Item	Result	Remark
15.207	AC Power Conducted Emission	PASS	----
15.203	Antenna Requirement	PASS	----
15.247(b)(1)	Max. Output Power	PASS	----
15.247(d)	Transmitter Radiated Emissions	PASS	----
15.247(a)(1)	20dB RF Bandwidth	PASS	----
15.247(a)(1)	Carrier Frequency Separation	PASS	----
15.247(a)(1)(iii)	Number of Hopping	PASS	----
15.247(a)(1)(iii)	Time of Occupancy (Dwell Time)	PASS	----
15.247(d)	Out of Band Conducted Spurious Emission	PASS	----

The test results of this report relate only to the tested sample(s) identified in this report. Manufacturer or whom it may concern should recognize the pass or fail of the test result.

1.2. Measurement Uncertainty

Test Item	Frequency Range	Uncertainty (dB)
Conducted Emission	9kHz ~ 150KHz	2.7
	150kHz ~ 30MHz	2.8
Radiated Emission	9kHz ~ 30MHz	1.457
	30MHz ~ 1000MHz	6.300
	1000MHz ~ 18000MHz	5.474
	18000MHz ~ 26500MHz	5.630
	26500MHz ~ 40000MHz	5.054

2 EUT Description

Applicant	BenQ Corporation 16 Jihu Road, Neihu, Taipei 114, Taiwan		
Manufacturer (1)	Qisda (Suzhou) Co., Ltd. No. 169, Zhujiang Road, New District, Suzhou, Jiangsu 215129, P.R. China		
Manufacturer (2)	Qisda Mexicana S.A. De C.V. Calzada Venustiano Carranza, No. 88 Col. Plutarco Elias Calles 21376 Mexocali, B.C. Mexico C.P Mexico		
Manufacturer (3)	Qisda Optronics (Suzhou) Co., Ltd. No.169, Zhujiang Road, New District, Suzhou, Jiangsu 215129, P.R. China		
Manufacturer (4)	Qisda Corporation 157, Shan-Ying Road, Gueishan, Taoyuan 333, Taiwan		
Product	treVolo S Bluetooth® Speaker		
Trade Name	BenQ		
Model Number	AU3000		
FCC ID	JVPAU3000		
Frequency Range	2402 ~ 2480 MHz		
Modulation Type	GFSK for 1Mbps		
	$\pi/4$ -DQPSK for 2Mbps		
	8DPSK for 3Mbps		
Antenna Information	Model	Type	Max. Gain
	WA-P-LA-02-168	PCB antenna type	4 dBi
RF Output Power (Conducted)	GFSK for 1Mbps	9.56 dBm / 0.009 W	
	$\pi/4$ -DQPSK for 2Mbps	9.03 dBm / 0.008 W	
	8DPSK for 3Mbps	9.15 dBm / 0.008 W	

3 Test Methodology

3.1. Mode of Operation

Decision of Test ATL has verified the construction and function in typical operation. All the test modes were carried out with the EUT in normal operation, which was shown in this test report and defined as:

Pre-Test Mode
Mode 1: Normal Operation Mode
Mode 2: GFSK Link Mode
Mode 3: $\pi/4$ -DQPSK Link Mode
Mode 4: 8DPSK Link Mode

By preliminary testing and verifying three axis (X, Y and Z) position of EUT transmitted status, it was found that "X axis" position was the worst, then the final test was executed the worst condition and test data were recorded in this report.

Final-Test Mode
Mode 1: Normal Operation Mode
Mode 2: GFSK Link Mode
Mode 4: 8DPSK Link Mode

Description of Test Modes

Preliminary tests were performed in different modulation to find the worst case. The modulation has shown the worst-case in section 4.5. Investigation has been done on all the possible configurations for searching the worst cases.

Tested System Details

The types for all equipments, plus descriptions of all cables used in the tested system (including inserted cards) are:

	Product	Manufacturer	Model Number	Serial Number	Power Cord
1.	Bluetooth Tester	R & S	CBT	100350	NA

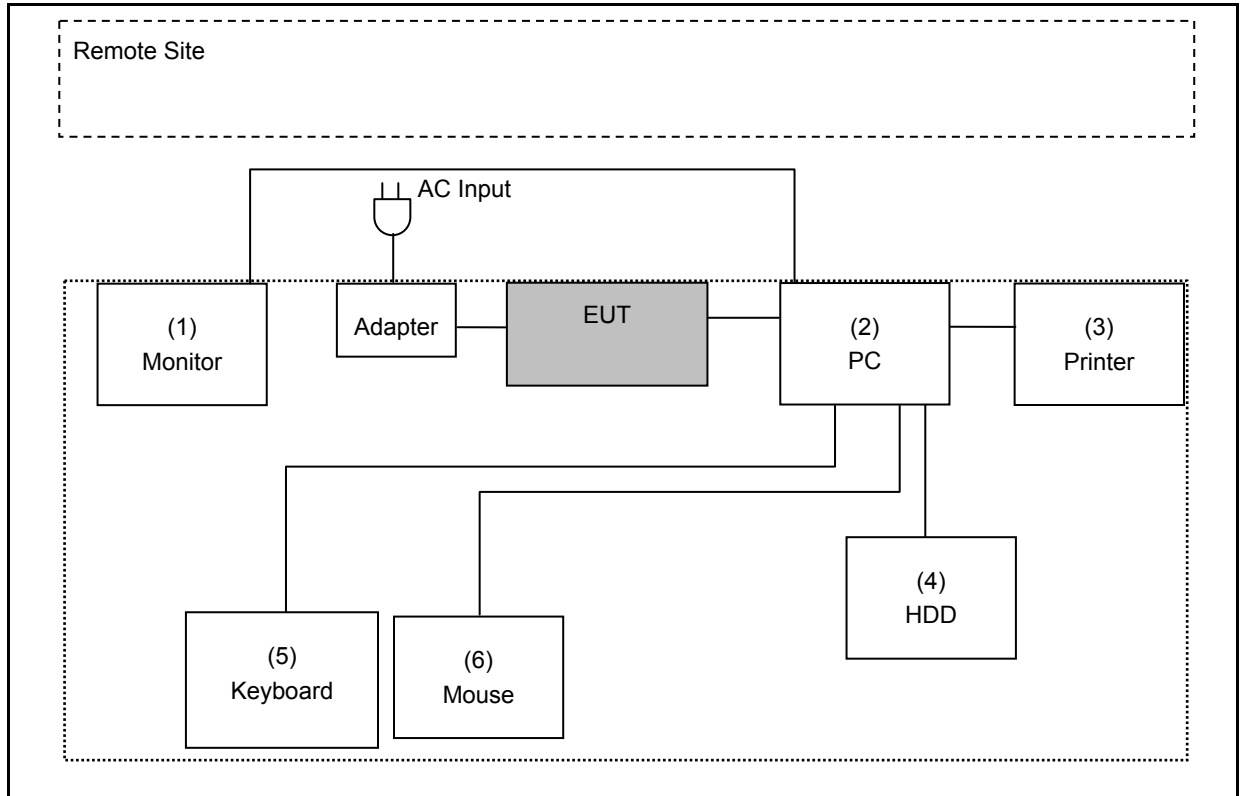
3.2. EUT Exercise Software

1	Setup the EUT and Bluetooth Tester (CBT) as shown on 3.3.
2	Turn on the power of all equipment.
3	Open Bluetooth function link to CBT.
4	EUT run test program.

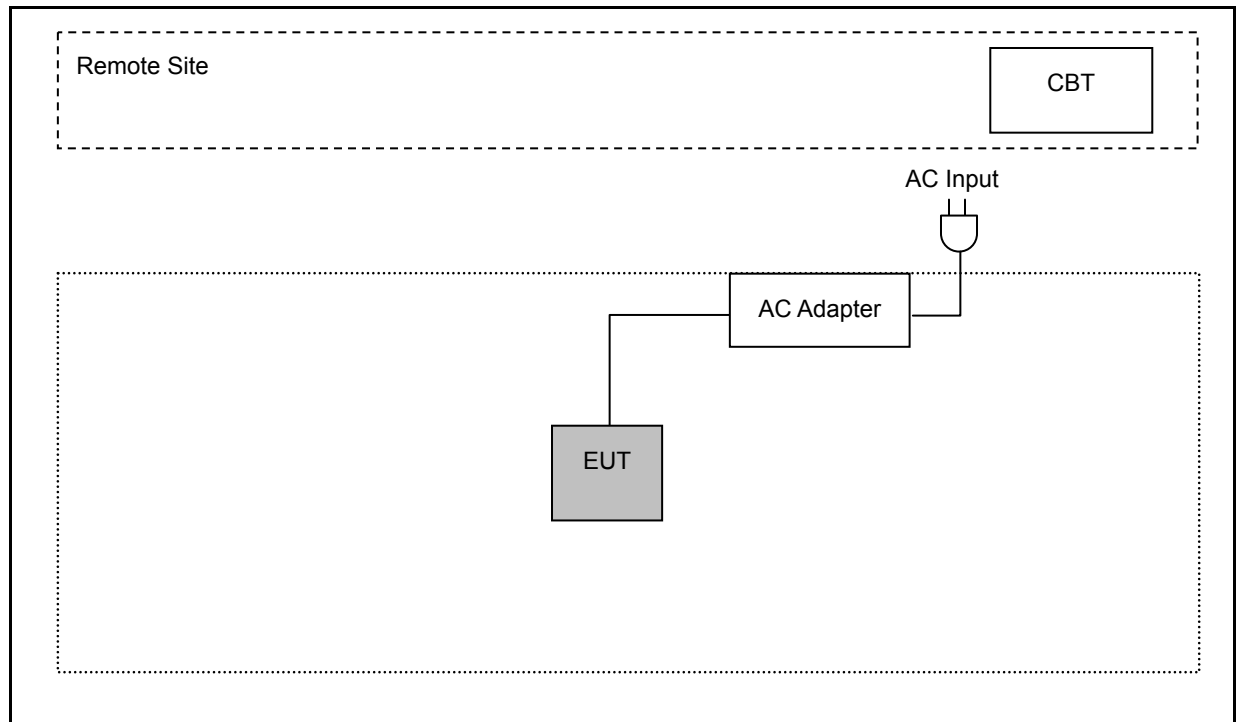
Measurement Software	
1	EZ-EMC Ver. ATL-03A1-1
2	EZ-EMC Ver ATL-ITC-3A1-1

3.3. Configuration of Test System Details

Conducted Emissions



Radiated Emissions



3.4. Test Site Environment

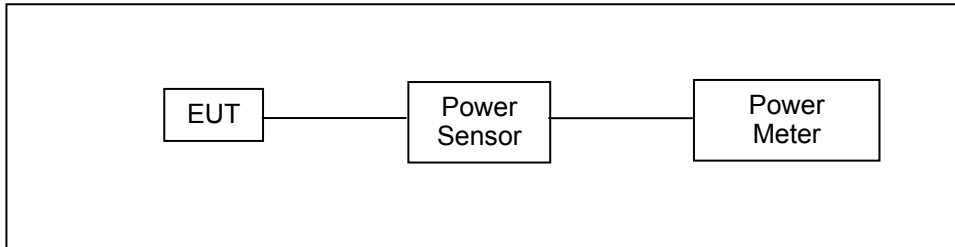
Items	Required (IEC 60068-1)	Actual
Temperature (°C)	15-35	26
Humidity (%RH)	25-75	60
Barometric pressure (mbar)	860-1060	950

4 Maximum Conducted Output Power Measurement

4.1. Limit

For frequency hopping systems operating in the 2400–2483.5 MHz band employing at least 75 non-overlapping hopping channels < 0.125 watt.

4.2. Test Setup



4.3. Test Instruments

Equipment	Manufacturer	Model Number	Serial Number	Cal. Date	Remark
Single Channel PK Power Sensor	Agilent	N1911A	MY45101619	12/11/2015	(1)
Wideband Power Meter	Agilent	N1921A	MY45241957	12/11/2015	(1)
Microwave Cable	EMCI	EMC104-SM-SM-1500	140303	02/24/2015	(1)
Test Site	ATL	TE05	TE05	N.C.R.	-----

Remark: (1) Calibration period 1 year.

NOTE: N.C.R. = No Calibration Request.

4.4. Test Procedure

Testing must be done according to this procedure, FCC Public Notice DA 00-705 - Filing and Measurement Guidelines for Frequency Hopping Spread Spectrum Systems. This is the only method recognized by the FCC. The tests below are run with the EUT's transmitter set at high power in TX mode. The EUT is needed to force selection of output power level and channel number. While testing, EUT was set to transmit continuously. Remove the Subjective device's antenna and connect the RF output port to power sensor. The maximum peak output power shall not exceed 1 watt.

Use a direct connection between the antenna port of transmitter and the power sensor, for prevent the power sensor input attenuation 40-50 dB. Set the RBW Bandwidth of the emission or use a channel power meter mode. For antennas with gains of 6 dBi or less, maximum allowed transmitter output is 1 watt (+30 dBm). For antennas with gains greater than 6 dBi, transmitter output level must be decreased by an amount equal to (GAIN - 6)/3 dBm. The antenna port of the EUT was connected to the input of a power sensor. Power was read directly and cable loss correction was added to the reading to obtain power at the EUT antenna terminals.

4.5. Test Result

Model Number	AU3000						
Test Item	Maximum Conducted Output Power						
Test Mode	Mode 2 / Mode 3 / Mode 4						
Date of Test	01/29/2016			Test Site		TE05	
Test Mode	Frequency (MHz)	Packet Type	Average Power		Peak Power		Limit (W)
			(dBm)	(W)	(dBm)	(W)	
Mode 2	2402	DH1	7.22	0.00527	7.48	0.00560	< 0.125
		DH3	7.23	0.00528	7.51	0.00564	< 0.125
		DH5	7.25	0.00531	7.54	0.00568	< 0.125
	2441	DH1	8.45	0.00700	8.73	0.00746	< 0.125
		DH3	8.46	0.00701	8.74	0.00748	< 0.125
		DH5	8.49	0.00706	8.77	0.00753	< 0.125
	2480	DH1	9.21	0.00834	9.52	0.00895	< 0.125
		DH3	9.23	0.00838	9.54	0.00899	< 0.125
		DH5	9.25	0.00841	9.56	0.00904	< 0.125
Mode 3	2402	2DH1	5.69	0.00371	6.88	0.00488	< 0.125
		2DH3	5.74	0.00375	6.93	0.00493	< 0.125
		2DH5	5.79	0.00379	6.98	0.00499	< 0.125
	2441	2DH1	7.15	0.00519	8.21	0.00662	< 0.125
		2DH3	7.20	0.00525	8.26	0.00670	< 0.125
		2DH5	7.25	0.00531	8.31	0.00678	< 0.125
	2480	2DH1	7.76	0.00597	8.93	0.00782	< 0.125
		2DH3	7.81	0.00604	8.98	0.00791	< 0.125
		2DH5	7.86	0.00611	9.03	0.00800	< 0.125
Mode 4	2402	3DH1	5.71	0.00372	7.06	0.00508	< 0.125
		3DH3	5.76	0.00377	7.11	0.00514	< 0.125
		3DH5	5.81	0.00381	7.16	0.00520	< 0.125
	2441	3DH1	7.19	0.00524	8.31	0.00678	< 0.125
		3DH3	7.24	0.00530	8.36	0.00685	< 0.125
		3DH5	7.29	0.00536	8.41	0.00693	< 0.125
	2480	3DH1	7.79	0.00601	9.05	0.00804	< 0.125
		3DH3	7.84	0.00608	9.10	0.00813	< 0.125
		3DH5	7.89	0.00615	9.15	0.00822	< 0.125

Note: The relevant measured result has the offset with cable loss already.

5 Conducted Emission Measurement

5.1. Limit

Frequency (MHz)	Quasi-peak	Average
0.15 - 0.5	66 to 56	56 to 46
0.50 - 5.0	56	46
5.0 - 30.0	60	50

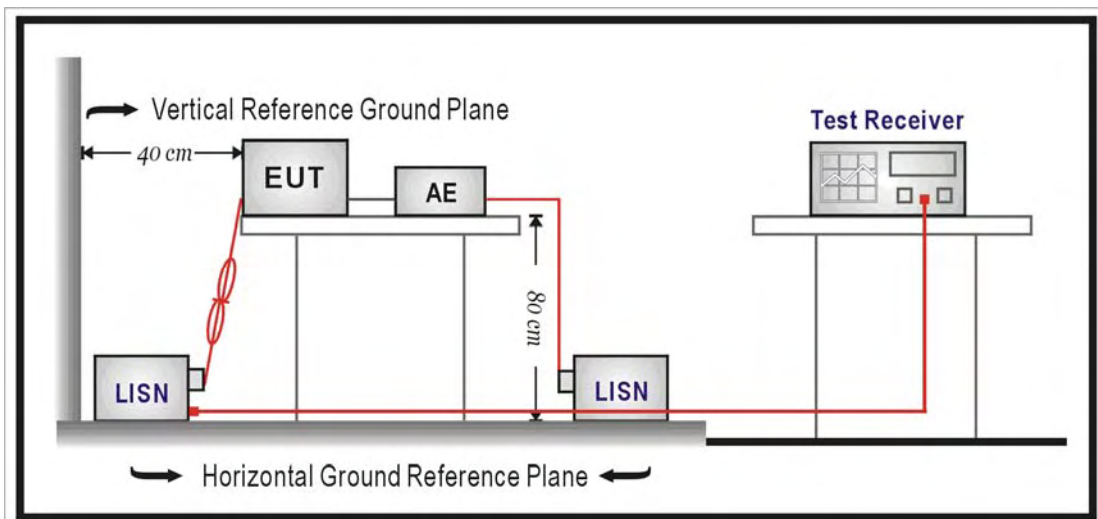
5.2. Test Instruments

Describe	Manufacturer	Model Number	Serial Number	Cal. Date	Remark
Test Receiver	R&S	ESCI	100367	06/25/2015	(1)
LISN	R&S	ENV216	101040	03/10/2015	(1)
LISN	R&S	ENV216	101041	03/06/2015	(1)
RF Cable	Woken	00100D1380194M	TE-02-02	06/26/2015	(1)
Test Site	ATL	TE02	TE02	N.C.R.	-----

Remark: (1) Calibration period 1 year.

NOTE: N.C.R. = No Calibration Request.

5.3. Test Setup



5.4. Test Procedure

The EUT and simulators are connected to the main power through a line impedance stabilization network (L.I.S.N.). This provides a 50 ohm /50uH coupling impedance for the measuring equipment. The peripheral devices are also connected to the main power through a LISN that provides a 50ohm/50uH coupling impedance with 50ohm termination.

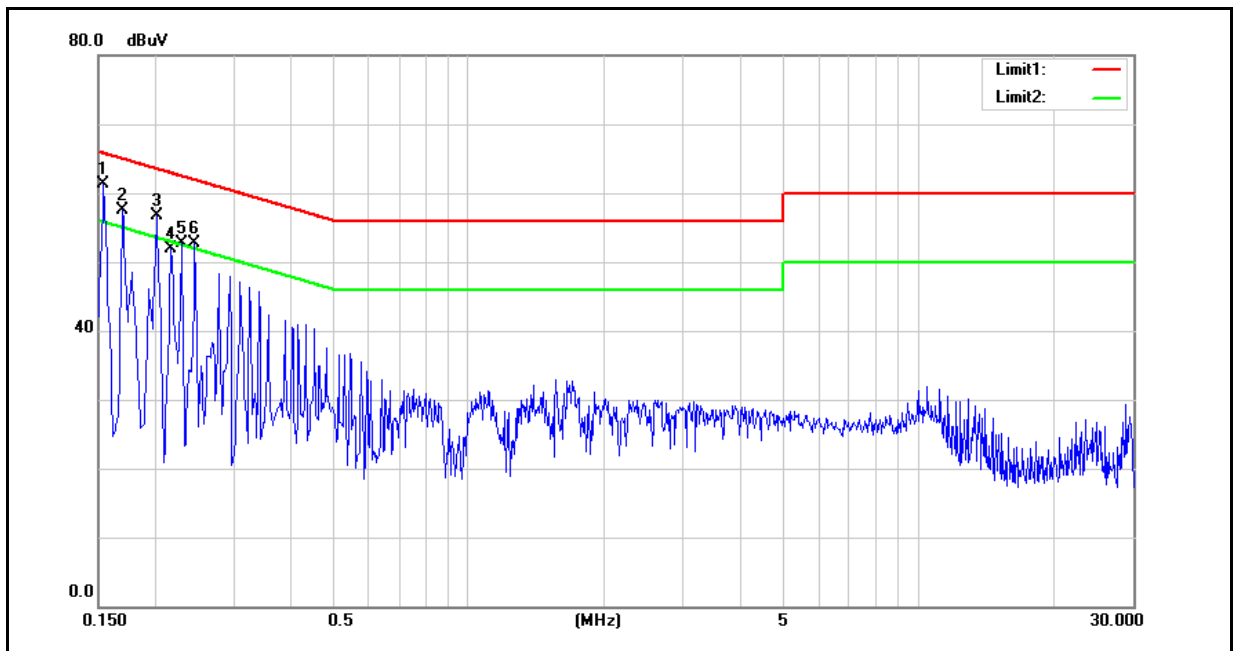
For A.C. mains conducted interference, measured both sides of A.C. lines and carried out using quasi-peak and average detector receivers of maximum conducted interference.

Conducted emissions were investigated over the frequency range from 0.15 MHz to 30 MHz using a receiver bandwidth of 9 kHz. The equipment under test (EUT) shall meet the limits in section 5.1, as applicable, including the average limit and the quasi-peak limit when using respectively, an average detector and quasi-peak detector measured in accordance with the methods described of related standard. The voltage limits shall be met. If the average limit is met when using a quasi-peak detector receiver, the EUT shall be deemed to meet both limits and measurement with the average detector receiver is unnecessary.

If the reading of the measuring receiver shows fluctuations close to the limit, the reading shall be observed for at least 15 s at each measurement frequency; the higher reading shall be recorded with the exception of any brief isolated high reading which shall be ignored.

5.5. Test Result

Standard:	FCC Part 15C	Line:	L1
Test item:	Conducted Emission	Power:	AC 120V/60Hz
Model Number:	AU3000	Temp.(°C)/Hum.(%RH):	26(°C)/60%RH
Mode:	1	Date:	02/01/2016
		Test By:	Eric Ou Yang
Description:			

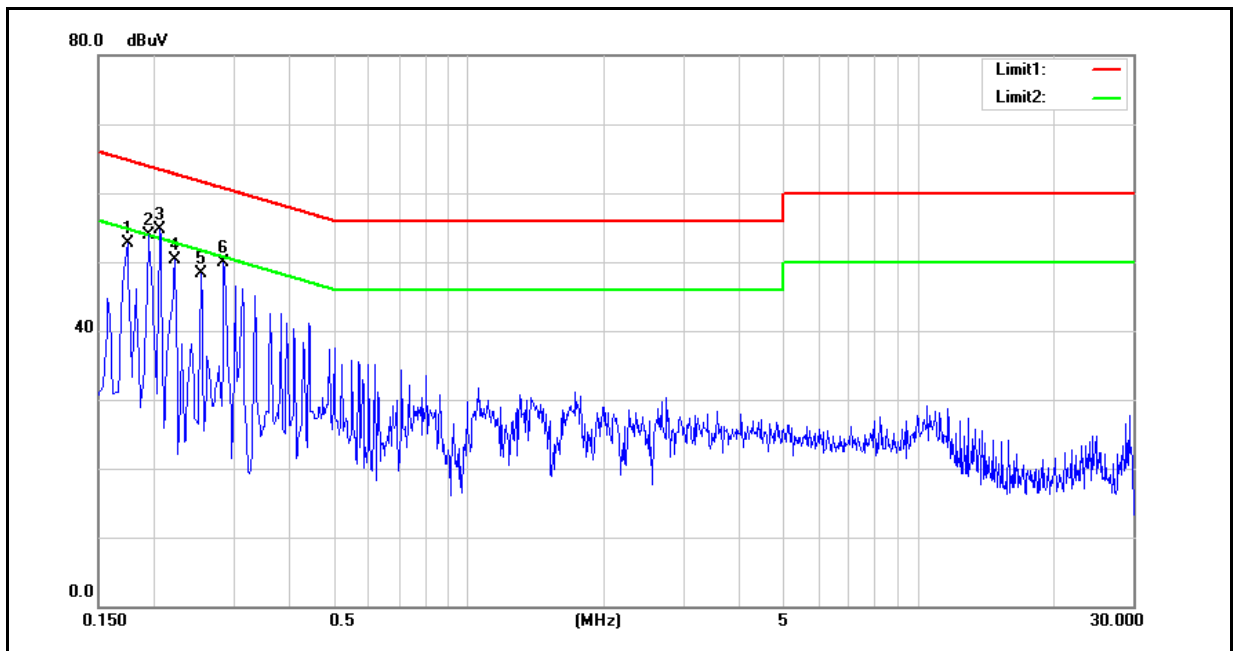


No.	Frequency (MHz)	QP reading (dBuV)	AVG reading (dBuV)	Correction factor (dB)	QP result (dBuV)	AVG result (dBuV)	QP limit (dBuV)	AVG limit (dBuV)	QP margin (dB)	AVG margin (dB)	Remark
1	0.1540	42.67	19.74	9.69	52.36	29.43	65.78	55.78	-13.42	-26.35	Pass
2	0.1700	39.37	16.71	9.69	49.06	26.40	64.96	54.96	-15.90	-28.56	Pass
3	0.2020	37.59	14.00	9.68	47.27	23.68	63.53	53.53	-16.26	-29.85	Pass
4	0.2180	35.89	13.71	9.68	45.57	23.39	62.89	52.89	-17.32	-29.50	Pass
5	0.2300	35.59	10.25	9.68	45.27	19.93	62.45	52.45	-17.18	-32.52	Pass
6	0.2460	34.15	12.63	9.68	43.83	22.31	61.89	51.89	-18.06	-29.58	Pass

Note: 1. Result (dBuV) = Correction factor (dB) + Reading(dBuV).

2. Correction factor (dB) = Cable loss (dB) + L.I.S.N. factor (dB).

Standard:	FCC Part 15C	Line:	N
Test item:	Conducted Emission	Power:	AC 120V/60Hz
Model Number:	AU3000	Temp.(°C)/Hum.(%RH):	26(°C)/60%RH
Mode:	1	Date:	02/01/2016
		Test By:	Eric Ou Yang
Description:			



No.	Frequency (MHz)	QP reading (dBuV)	AVG reading (dBuV)	Correction factor (dB)	QP result (dBuV)	AVG result (dBuV)	QP limit (dBuV)	AVG limit (dBuV)	QP margin (dB)	AVG margin (dB)	Remark
1	0.1740	37.81	20.01	9.66	47.47	29.67	64.77	54.77	-17.30	-25.10	Pass
2	0.1940	38.64	17.95	9.65	48.29	27.60	63.86	53.86	-15.57	-26.26	Pass
3	0.2060	36.85	12.73	9.65	46.50	22.38	63.37	53.37	-16.87	-30.99	Pass
4	0.2220	33.17	14.10	9.65	42.82	23.75	62.74	52.74	-19.92	-28.99	Pass
5	0.2540	33.90	10.32	9.66	43.56	19.98	61.63	51.63	-18.07	-31.65	Pass
6	0.2860	31.33	18.83	9.66	40.99	28.49	60.64	50.64	-19.65	-22.15	Pass

Note: 1. Result (dBuV) = Correction factor (dB) + Reading(dBuV).

2. Correction factor (dB) = Cable loss (dB) + L.I.S.N. factor (dB).

6 Radiated Interference Measurement

6.1. Limit

According to §15.209(a), except as provided elsewhere in this subpart, the emissions from an intentional radiator shall not exceed the field strength levels specified in the following table:

Frequency (MHz)	Field Strength ($\mu\text{V}/\text{m}$ at meter)	Measurement Distance (meters)
0.009 – 0.490	2400 / F (kHz)	300
0.490 – 1.705	24000 / F (kHz)	30
1.705 – 30.0	30	30
30 - 88	100**	3
88-216	150**	3
216-960	200**	3
Above 960	500	3

** Except as provided in paragraph (g), fundamental emissions from intentional radiators operating under this Section shall not be located in the frequency bands 54-72 MHz, 76-88 MHz, 174-216 MHz or 470-806 MHz. However, operation within these frequency bands is permitted under other sections of this Part, e.g., Sections 15.231 and 15.241.

6.2. Test Instruments

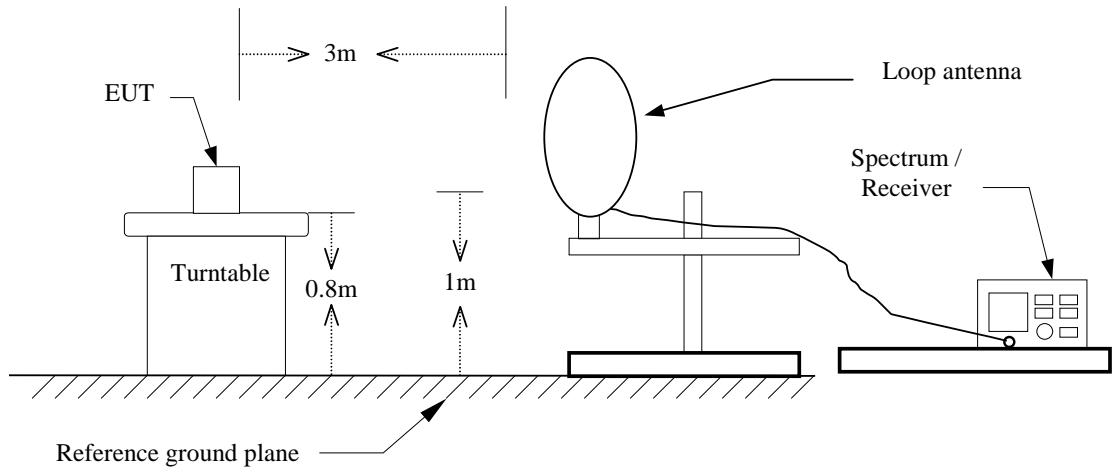
3 Meter Chamber (966-A)					
Equipment	Manufacturer	Model Number	Serial Number	Cal. Date	Remark
RF Pre-selector	Agilent	N9039A	MY46520256	01/08/2016	(1)
Spectrum Analyzer	Agilent	E4446A	MY46180578	01/08/2016	(1)
Pre Amplifier	Agilent	8449B	3008A02237	02/24/2015	(1)
Pre Amplifier	Agilent	8447D	2944A10961	02/24/2015	(1)
Broadband Antenna (30MHz~1GHz)	SCHWARZBECK MESS-ELEKTRONIK	VULB9163	9163-270	08/11/2015	(1)
Horn Antenna (1~18GHz)	SCHWARZBECK MESS-ELEKTRONIK	BBHA9120D	9120D-550	06/12/2015	(1)
Horn Antenna (18~40GHz)	SCHWARZBECK MESS-ELEKTRONIK	BBHA9170	9170-320	07/06/2015	(1)
Loop Antenna	COM-POWER CORPORATION	AL-130	121014	02/02/2015	(1)
Microwave Cable	EMCI	EMC-104-SM-S M-14000	140202	02/24/2015	(1)
Microwave Cable	EMCI	EMC104-SM-S M-600	140301	02/24/2015	(1)
Test Site	ATL	TE01	888001	08/27/2015	(1)

Remark: (1) Calibration period 1 year.

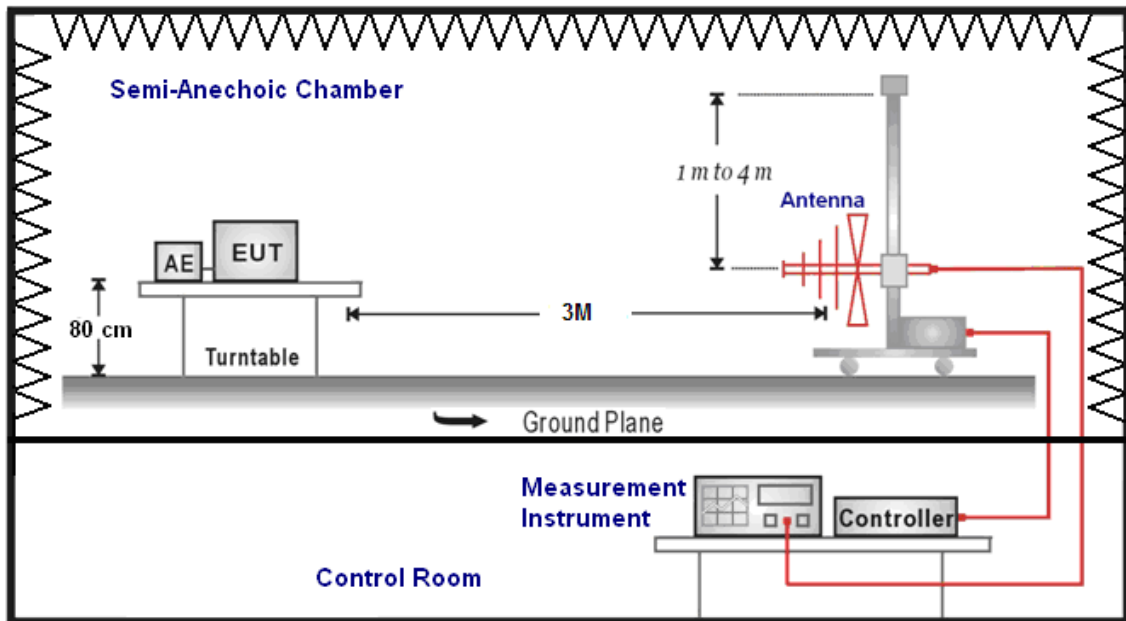
NOTE: N.C.R. = No Calibration Request.

6.3. Setup

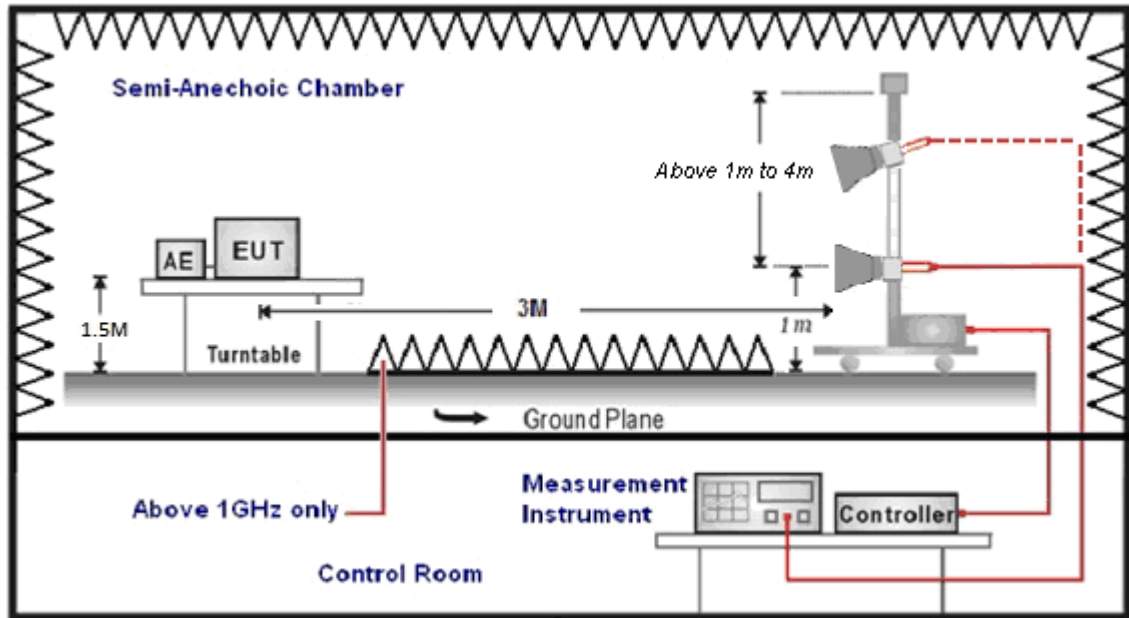
9kHz ~ 30MHz



Below 1GHz



Above 1GHz



6.4. Test Procedure

Final radiation measurements were made on a three-meter, Semi Anechoic Chamber. The EUT system was placed on a nonconductive turntable which is 0.8 or 1.5 meters height (below 1GHz use 0.8m turntable / above 1GHz use 1.5m turntable), top surface 1.0 x 1.5 meter. The spectrum was examined from 250 MHz to 2.5 GHz in order to cover the whole spectrum below 10th harmonic which could generate from the EUT. During the test, EUT was set to transmit continuously & Measurements spectrum range from 9 kHz to 26.5 GHz is investigated.

For measurements below 1 GHz the resolution bandwidth is set to 100 kHz for peak detection measurements or 120 kHz for quasi-peak detection measurements. Peak detection is used unless otherwise noted as quasi-peak.

For measurements above 1 GHz the resolution bandwidth is set to 1 MHz, and then the video bandwidth is set to 1 MHz for peak measurements and 10 Hz for average measurements.

A nonconductive material surrounded the EUT to supporting the EUT for standing on three orthogonal planes. At each condition, the EUT was rotated 360 degrees, and the antenna was raised and lowered from one to four meters to find the maximum emission levels. Measurements were taken using both horizontal and vertical antenna polarization.

SCHWARZBECK MESS-ELEKTRONIK Biconilog Antenna (mode VULB9163) at 3 Meter and the SCHWARZBECK Double Ridged Guide Antenna (model BBHA9120D&9170) was used in frequencies 1 – 26.5 GHz at a distance of 1 meter. All test results were extrapolated to equivalent signal at 3 meters utilizing an inverse linear distance extrapolation Factor (20dB/decade).

For testing above 1GHz, the emission level of the EUT in peak mode was 20dB lower than average limit (that means the emission level in peak mode also complies with the limit in average mode), then testing will be stopped and peak values of EUT will be reported, otherwise, the emissions will be measured in average mode again and reported.

Appropriate preamplifiers were used for improving sensitivity and precautions were taken to avoid overloading or desensitizing the spectrum analyzer. No post – detector video filters were used in the test.

The spectrum analyzer's 6 dB bandwidth was set to 1 MHz, and the analyzer was operated in the peak detection mode, for frequencies both below and up 1 GHz. The average levels were obtained by subtracting the duty cycle correction factor from the peak readings.

The following procedures were used to convert the emission levels measured in decibels referenced to 1 microvolt (dBuV) into field intensity in micro volts per meter (uV/m).

The actual field intensity in decibels referenced to 1 microvolt in to field intensity in micro volts per meter (dBuV/m).

The actual field intensity in decibels referenced to 1 microvolt per meter (dBuV/m) is determined by algebraically adding the measured reading in dBuV, the antenna factor (dB), and cable loss (dB) and Subtracting the gain of preamplifier (dB) is auto calculate in spectrum analyzer.

$$(1) \text{ Amplitude (dBuV/m) = FI (dBuV) + AF (dBuV) + CL (dBuV) - Gain (dB)}$$

FI= Reading of the field intensity.

AF= Antenna factor.

CL= Cable loss.

P.S Amplitude is auto calculate in spectrum analyzer.

$$(2) \text{ Actual Amplitude (dBuV/m) = Amplitude (dBuV) - Dis(dB)}$$

The FCC specified emission limits were calculated according the EUT operating frequency and by following linear interpolation equations:

(a) For fundamental frequency : Transmitter Output < +30dBm

(b) For spurious frequency : Spurious emission limits = fundamental emission limit /10

Data of measurement within this frequency range without mark in the table above means the reading of emissions are attenuated more than 20dB below the permissible limits or the field strength is too small to be measured.

6.5. Test Result
Below 1GHz

Standard:	FCC Part 15C	Test Distance:	3m
Test item:	Radiated Emission	Power:	AC 120V/60Hz
Model Number:	AU3000	Temp.(°C)/Hum.(%RH):	26(°C)/60%RH
Mode:	1	Date:	01/29/2016
		Test By:	Eric Ou Yang

Frequency (MHz)	Reading (dBuV)	Correct Factor (dB/m)	Result (dBuV/m)	Limit (dBuV/m)	Margin (dB)	Remark	Ant.Polar. H / V
231.7600	39.54	-11.66	27.88	46.00	-18.12	QP	H
304.5100	33.79	-9.13	24.66	46.00	-21.34	QP	H
381.1400	31.64	-7.64	24.00	46.00	-22.00	QP	H
535.3700	32.14	-4.51	27.63	46.00	-18.37	QP	H
612.0000	32.26	-2.96	29.30	46.00	-16.70	QP	H
871.9600	26.85	2.13	28.98	46.00	-17.02	QP	H
217.2100	33.77	-12.70	21.07	46.00	-24.93	QP	V
354.9500	29.15	-8.18	20.97	46.00	-25.03	QP	V
515.9700	30.69	-4.96	25.73	46.00	-20.27	QP	V
663.4100	27.96	-2.05	25.91	46.00	-20.09	QP	V
769.1400	28.07	0.11	28.18	46.00	-17.82	QP	V
908.8200	27.20	2.89	30.09	46.00	-15.91	QP	V

Note: No emission found between lowest internal used/generated frequencies to 30MHz (9 kHz~30MHz).

Above 1GHz

Standard:	FCC Part 15C	Test Distance:	3m
Test item:	Radiated Emission	Power:	AC 120V/60Hz
Model Number:	AU3000	Temp.(°C)/Hum.(%RH):	26(°C)/60%RH
Mode:	2	Date:	01/29/2016
Frequency:	2402 MHz	Test By:	Eric Ou Yang

Frequency (MHz)	Reading (dBuV)	Correct Factor (dB/m)	Result (dBuV/m)	Limit (dBuV/m)	Margin (dB)	Remark	Ant.Polar. H / V
3030.000	36.96	1.46	38.42	74.00	-35.58	peak	H
4804.000	40.39	7.38	47.77	74.00	-26.23	peak	H
6705.000	33.67	12.04	45.71	74.00	-28.29	peak	H
3009.000	36.77	1.35	38.12	74.00	-35.88	peak	V
4804.000	42.95	7.38	50.33	74.00	-23.67	peak	V
6691.000	32.07	12.00	44.07	74.00	-29.93	peak	V

Standard:	FCC Part 15C	Test Distance:	3m
Test item:	Radiated Emission	Power:	AC 120V/60Hz
Model Number:	AU3000	Temp.(°C)/Hum.(%RH):	26(°C)/60%RH
Mode:	2	Date:	01/29/2016
Frequency:	2441 MHz	Test By:	Eric Ou Yang

Frequency (MHz)	Reading (dBuV)	Correct Factor (dB/m)	Result (dBuV/m)	Limit (dBuV/m)	Margin (dB)	Remark	Ant.Polar. H / V
3002.000	37.98	1.32	39.30	74.00	-34.70	peak	H
4882.000	39.74	7.66	47.40	74.00	-26.60	peak	H
7323.000	40.82	13.61	54.43	74.00	-19.57	peak	H
7323.000	33.83	13.61	47.44	54.00	-6.56	AVG	H
3009.000	37.23	1.35	38.58	74.00	-35.42	peak	V
4882.000	42.18	7.66	49.84	74.00	-24.16	peak	V
6698.000	32.64	12.02	44.66	74.00	-29.34	peak	V

Standard:	FCC Part 15C	Test Distance:	3m
Test item:	Radiated Emission	Power:	AC 120V/60Hz
Model Number:	AU3000	Temp.(°C)/Hum.(%RH):	26(°C)/60%RH
Mode:	2	Date:	01/29/2016
Frequency:	2480 MHz	Test By:	Eric Ou Yang

Frequency (MHz)	Reading (dBuV)	Correct Factor (dB/m)	Result (dBuV/m)	Limit (dBuV/m)	Margin (dB)	Remark	Ant.Polar. H / V
3009.000	36.89	1.35	38.24	74.00	-35.76	peak	H
4960.000	38.56	7.93	46.49	74.00	-27.51	peak	H
7440.000	36.87	13.92	50.79	74.00	-23.21	peak	H
3058.000	37.26	1.58	38.84	74.00	-35.16	peak	V
4960.000	41.16	7.93	49.09	74.00	-24.91	peak	V
7440.000	34.63	13.92	48.55	74.00	-25.45	peak	V

Standard:	FCC Part 15C	Test Distance:	3m
Test item:	Radiated Emission	Power:	AC 120V/60Hz
Model Number:	AU3000	Temp.(°C)/Hum.(%RH):	26(°C)/60%RH
Mode:	3	Date:	01/29/2016
Frequency:	2402 MHz	Test By:	Eric Ou Yang

Frequency (MHz)	Reading (dBuV)	Correct Factor (dB/m)	Result (dBuV/m)	Limit (dBuV/m)	Margin (dB)	Remark	Ant.Polar. H / V
3030.000	36.93	1.46	38.39	74.00	-35.61	peak	H
4804.000	39.93	7.38	47.31	74.00	-26.69	peak	H
6670.000	32.78	11.96	44.74	74.00	-29.26	peak	H
3016.000	38.38	1.38	39.76	74.00	-34.24	peak	V
4804.000	43.29	7.38	50.67	74.00	-23.33	peak	V
6663.000	32.68	11.93	44.61	74.00	-29.39	peak	V

Standard:	FCC Part 15C	Test Distance:	3m
Test item:	Radiated Emission	Power:	AC 120V/60Hz
Model Number:	AU3000	Temp.(°C)/Hum.(%RH):	26(°C)/60%RH
Mode:	3	Date:	01/29/2016
Frequency:	2441 MHz	Test By:	Eric Ou Yang

Frequency (MHz)	Reading (dBuV)	Correct Factor (dB/m)	Result (dBuV/m)	Limit (dBuV/m)	Margin (dB)	Remark	Ant.Polar. H / V
2995.000	37.16	1.30	38.46	74.00	-35.54	peak	H
4882.000	37.22	7.66	44.88	74.00	-29.12	peak	H
7323.000	36.11	13.61	49.72	74.00	-24.28	peak	H
3016.000	38.06	1.38	39.44	74.00	-34.56	peak	V
4882.000	40.43	7.66	48.09	74.00	-25.91	peak	V
6677.000	32.53	11.97	44.50	74.00	-29.50	peak	V

Standard:	FCC Part 15C	Test Distance:	3m
Test item:	Radiated Emission	Power:	AC 120V/60Hz
Model Number:	AU3000	Temp.(°C)/Hum.(%RH):	26(°C)/60%RH
Mode:	3	Date:	01/29/2016
Frequency:	2480 MHz	Test By:	Eric Ou Yang

Frequency (MHz)	Reading (dBuV)	Correct Factor (dB/m)	Result (dBuV/m)	Limit (dBuV/m)	Margin (dB)	Remark	Ant.Polar. H / V
3037.000	39.34	1.48	40.82	74.00	-33.18	peak	H
4960.000	39.35	7.93	47.28	74.00	-26.72	peak	H
6747.000	32.14	12.13	44.27	74.00	-29.73	peak	H
3030.000	39.09	1.46	40.55	74.00	-33.45	peak	V
4960.000	41.64	7.93	49.57	74.00	-24.43	peak	V
6698.000	32.60	12.02	44.62	74.00	-29.38	peak	V

Band Edge

Standard:	FCC Part 15C	Test Distance:	3m
Test item:	Radiated Emission	Power:	AC 120V/60Hz
Model Number:	AU3000	Temp.(°C)/Hum.(%RH):	26(°C)/60%RH
Mode:	2	Date:	01/29/2016
Frequency:	2402 MHz	Test By:	Eric Ou Yang

Frequency (MHz)	Reading (dBuV)	Correct Factor (dB/m)	Result (dBuV/m)	Limit (dBuV/m)	Margin (dB)	Remark	Ant.Polar. H / V
2389.200	47.27	-0.33	46.94	74.00	-27.06	peak	H
2390.000	45.48	-0.33	45.15	74.00	-28.85	peak	H
2389.640	49.58	-0.33	49.25	74.00	-24.75	peak	V
2390.000	44.21	-0.33	43.88	74.00	-30.12	peak	V

Standard:	FCC Part 15C	Test Distance:	3m
Test item:	Radiated Emission	Power:	AC 120V/60Hz
Model Number:	AU3000	Temp.(°C)/Hum.(%RH):	26(°C)/60%RH
Mode:	2	Date:	01/29/2016
Frequency:	2480 MHz	Test By:	Eric Ou Yang

Frequency (MHz)	Reading (dBuV)	Correct Factor (dB/m)	Result (dBuV/m)	Limit (dBuV/m)	Margin (dB)	Remark	Ant.Polar. H / V
2483.500	51.22	0.03	51.25	74.00	-22.75	peak	H
2483.620	48.03	0.03	48.06	74.00	-25.94	peak	H
2483.500	52.07	0.03	52.10	74.00	-21.90	peak	V
2483.500	33.61	0.03	33.64	54.00	-20.36	AVG	V
2485.220	45.76	0.03	45.79	74.00	-28.21	peak	V

Standard:		FCC Part 15C		Test Distance:		3m	
Test item:		Radiated Emission		Power:		AC 120V/60Hz	
Model Number:		AU3000		Temp.(°C)/Hum.(%RH):		26(°C)/60%RH	
Mode:		2		Date:		01/29/2016	
		Hopping		Test By:		Eric Ou Yang	
Frequency (MHz)	Reading (dBuV)	Correct Factor (dB/m)	Result (dBuV/m)	Limit (dBuV/m)	Margin (dB)	Remark	Ant.Polar. H / V
2332.800	46.64	-0.54	46.10	74.00	-27.90	peak	H
2390.000	51.47	-0.33	51.14	74.00	-22.86	peak	H
2483.500	53.56	0.03	53.59	74.00	-20.41	peak	H
2483.500	33.73	0.03	33.76	54.00	-20.24	AVG	H
2496.010	43.45	0.07	43.52	74.00	-30.48	peak	H
2389.040	47.53	-0.33	47.20	74.00	-26.80	peak	V
2390.000	45.52	-0.33	45.19	74.00	-28.81	peak	V
2483.500	54.75	0.03	54.78	74.00	-19.22	peak	V
2483.500	33.25	0.03	33.28	54.00	-20.72	AVG	V
2490.120	44.50	0.05	44.55	74.00	-29.45	peak	V

Standard:	FCC Part 15C	Test Distance:	3m
Test item:	Radiated Emission	Power:	AC 120V/60Hz
Model Number:	AU3000	Temp.(°C)/Hum.(%RH):	26(°C)/60%RH
Mode:	3	Date:	01/29/2016
Frequency:	2402 MHz	Test By:	Eric Ou Yang

Frequency (MHz)	Reading (dBuV)	Correct Factor (dB/m)	Result (dBuV/m)	Limit (dBuV/m)	Margin (dB)	Remark	Ant.Polar. H / V
2319.790	45.02	-0.60	44.42	74.00	-29.58	peak	H
2390.000	44.88	-0.33	44.55	74.00	-29.45	peak	H
2389.310	48.75	-0.33	48.42	74.00	-25.58	peak	V
2390.000	49.64	-0.33	49.31	74.00	-24.69	peak	V

Standard:	FCC Part 15C	Test Distance:	3m
Test item:	Radiated Emission	Power:	AC 120V/60Hz
Model Number:	AU3000	Temp.(°C)/Hum.(%RH):	26(°C)/60%RH
Mode:	3	Date:	01/29/2016
Frequency:	2480 MHz	Test By:	Eric Ou Yang

Frequency (MHz)	Reading (dBuV)	Correct Factor (dB/m)	Result (dBuV/m)	Limit (dBuV/m)	Margin (dB)	Remark	Ant.Polar. H / V
2483.500	52.84	0.03	52.87	74.00	-21.13	peak	H
2483.500	34.98	0.03	35.01	54.00	-18.99	AVG	H
2483.620	52.92	0.03	52.95	74.00	-21.05	peak	H
2483.620	34.91	0.03	34.94	54.00	-19.06	AVG	H
2483.500	50.91	0.03	50.94	74.00	-23.06	peak	V
2483.580	51.22	0.03	51.25	74.00	-22.75	peak	V

Standard:	FCC Part 15C	Test Distance:	3m
Test item:	Radiated Emission	Power:	AC 120V/60Hz
Model Number:	AU3000	Temp.(°C)/Hum.(%RH):	26(°C)/60%RH
Mode:	3	Date:	01/29/2016
	Hopping	Test By:	Eric Ou Yang

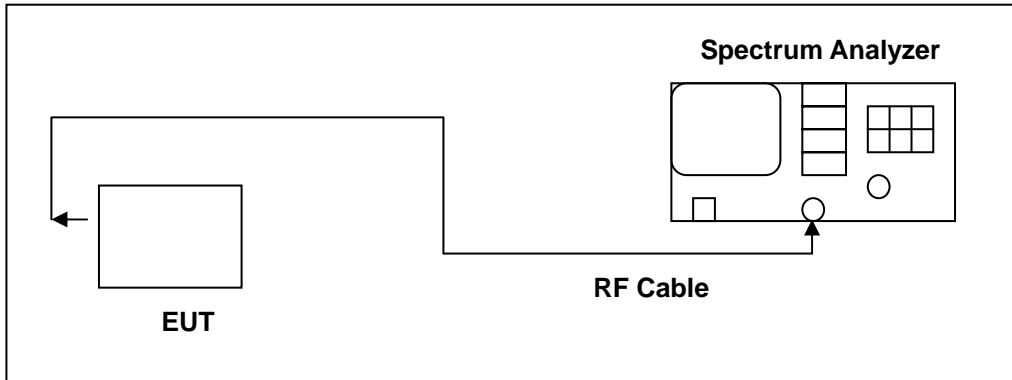
Frequency (MHz)	Reading (dBuV)	Correct Factor (dB/m)	Result (dBuV/m)	Limit (dBuV/m)	Margin (dB)	Remark	Ant.Polar. H / V
2389.610	46.43	-0.33	46.10	74.00	-27.90	peak	H
2390.000	43.69	-0.33	43.36	74.00	-30.64	peak	H
2483.500	53.24	0.03	53.27	74.00	-20.73	peak	H
2483.500	35.02	0.03	35.05	54.00	-18.95	AVG	H
2483.850	50.81	0.03	50.84	74.00	-23.16	peak	H
2389.610	50.92	-0.33	50.59	74.00	-23.41	peak	V
2390.000	44.80	-0.33	44.47	74.00	-29.53	peak	V
2483.500	48.23	0.03	48.26	74.00	-25.74	peak	V
2483.850	46.98	0.03	47.01	74.00	-26.99	peak	V

7 20dB RF Bandwidth Measurement

7.1. Limit

N/A

7.2. Test Setup



7.3. Test Instruments

Equipment	Manufacturer	Model Number	Serial Number	Cal. Date	Remark
Spectrum Analyzer	Agilent	E4445A	MY45300744	12/15/2015	(1)
Microwave Cable	EMCI	EMC104-SM-SM-1 500	140303	02/24/2015	(1)
Test Site	ATL	TE05	TE05	N.C.R.	-----

Remark: (1) Calibration period 1 year.

NOTE: N.C.R. = No Calibration Request.

7.4. Test Procedure

20dB RF Bandwidth

Testing must be done according to this procedure, FCC Public Notice DA 00-705 - Filing and Measurement Guidelines for Frequency Hopping Spread Spectrum Systems. This is the only method recognized by the FCC. The RF output port of the Equipment-Under-Test is directly coupled to the input of the EMC analyzer through a specialized RF connector and a 10dB passive attenuator. A fully charged battery was used for the supply voltage. The Bluetooth frequency hopping function of the EUT was enabled. The spectrum analyzer used the following settings:

1. Span = approx. 2 to 3 times the 20dB bandwidth, centered on a hopping frequency
2. RBW \geq 1% of the 20dB span
3. VBW \geq RBW
4. Sweep = auto
5. Detector function = peak
6. Trace = max hold

The trace was allowed to stabilize. The EUT was transmitting at its maximum data rate. The marker-to-peak function was used to set the marker to the peak of the emission. The marker-delta function was used to measure 20dB down one side of the emission. The marker-delta function and marker was moved to the other side of the emission until it was even with the reference marker. The marker-delta reading at this point was the 20dB bandwidth of the emission.

7.5. Test Result

Model Number	AU3000		
Test Item	20dB RF Bandwidth and 99 % Occupied Bandwidth		
Test Mode	Mode 2 / Mode 4		
Date of Test	01/29/2016	Test Site	TE05
Test Mode	Frequency (MHz)	20dB RF Bandwidth (MHz)	Limit (MHz)
Mode 2	2402	0.956	-----
	2441	0.940	-----
	2480	0.940	-----
Mode 4	2402	1.280	-----
	2441	1.296	-----
	2480	1.287	-----

7.6. Test Graphs

Mode 2: GFSK Link Mode	
2402 MHz	
2441 MHz	
2480 MHz	

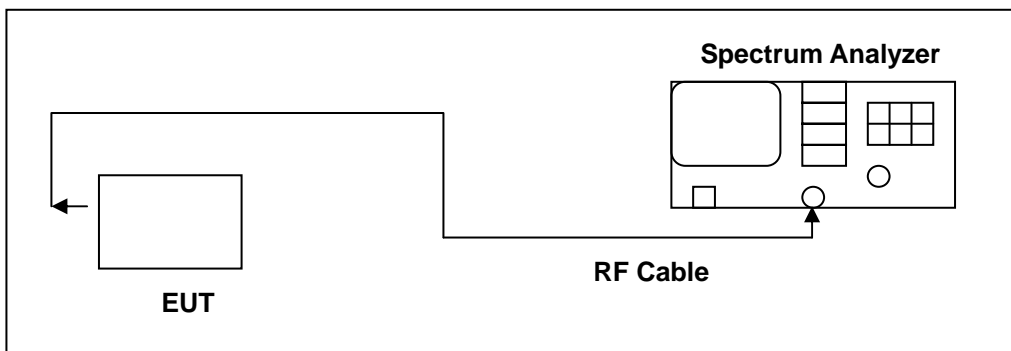
Mode 4: 8DPSK Link Mode	
2402 MHz	<p>Agilent R T</p> <p>Ch Freq 2.402 GHz Trig Free</p> <p>Occupied Bandwidth</p> <p>Ref 20 dBm #Atten 20 dB</p> <p>#Peak Log 10 dB/Offst 11.5 dB</p> <p>Center 2.402 GHz Span 3 MHz #Res BW 30 kHz #VBW 100 kHz Sweep 5 ms (401 pts)</p> <p>Occupied Bandwidth Occ BW % Pwr 99.00 % 1.2583 MHz x dB -20.00 dB</p> <p>Transmit Freq Error -12.268 kHz x dB Bandwidth 1.280 MHz</p> <p>Freq/Channel</p> <p>Center Freq 2.40200000 GHz</p> <p>Start Freq 2.40050000 GHz</p> <p>Stop Freq 2.40350000 GHz</p> <p>CF Step 300.000000 kHz Auto Man</p> <p>Freq Offset 0.00000000 Hz</p> <p>Signal Track On Off</p>
2441 MHz	<p>Agilent R T</p> <p>Ch Freq 2.441 GHz Trig Free</p> <p>Occupied Bandwidth</p> <p>Ref 20 dBm #Atten 20 dB</p> <p>#Peak Log 10 dB/Offst 11.5 dB</p> <p>Center 2.441 GHz Span 3 MHz #Res BW 30 kHz #VBW 100 kHz Sweep 5 ms (401 pts)</p> <p>Occupied Bandwidth Occ BW % Pwr 99.00 % 1.2782 MHz x dB -20.00 dB</p> <p>Transmit Freq Error -12.797 kHz x dB Bandwidth 1.296 MHz</p> <p>Freq/Channel</p> <p>Center Freq 2.44100000 GHz</p> <p>Start Freq 2.43950000 GHz</p> <p>Stop Freq 2.44250000 GHz</p> <p>CF Step 300.000000 kHz Auto Man</p> <p>Freq Offset 0.00000000 Hz</p> <p>Signal Track On Off</p>
2480 MHz	<p>Agilent R T</p> <p>Ch Freq 2.48 GHz Trig Free</p> <p>Occupied Bandwidth</p> <p>Ref 20 dBm #Atten 20 dB</p> <p>#Peak Log 10 dB/Offst 11.5 dB</p> <p>Center 2.48 GHz Span 3 MHz #Res BW 30 kHz #VBW 100 kHz Sweep 5 ms (401 pts)</p> <p>Occupied Bandwidth Occ BW % Pwr 99.00 % 1.2558 MHz x dB -20.00 dB</p> <p>Transmit Freq Error -15.195 kHz x dB Bandwidth 1.287 MHz</p> <p>Freq/Channel</p> <p>Center Freq 2.48000000 GHz</p> <p>Start Freq 2.47850000 GHz</p> <p>Stop Freq 2.48150000 GHz</p> <p>CF Step 300.000000 kHz Auto Man</p> <p>Freq Offset 0.00000000 Hz</p> <p>Signal Track On Off</p>

8 Carrier Frequency Separation Measurement

8.1. Limit

Title 47 of the CFR, Part 15 Subpart (c) 15.247(a)(1) requires the measurement of the bandwidth of the transmission between the -20 dB points on the transmitted spectrum. The results of this test determine the limits for channel spacing. The channel spacing shall be a minimum of 25 kHz or the 20 dB bandwidth, whichever is greater. Alternatively, frequency hopping systems operating in the 2400-2483.5 MHz band may have hopping channel carrier frequencies that are separated by 25 kHz or two-thirds of the 20 dB bandwidth of the hopping channel.

8.2. Test Setup



8.3. Test Instruments

Equipment	Manufacturer	Model Number	Serial Number	Cal. Date	Remark
Spectrum Analyzer	Agilent	E4445A	MY45300744	12/15/2015	(1)
Microwave Cable	EMCI	EMC104-SM-SM-1 500	140303	02/24/2015	(1)
Test Site	ATL	TE05	TE05	N.C.R.	-----

Remark: (1) Calibration period 1 year.

NOTE: N.C.R. = No Calibration Request.

8.4. Test Procedure

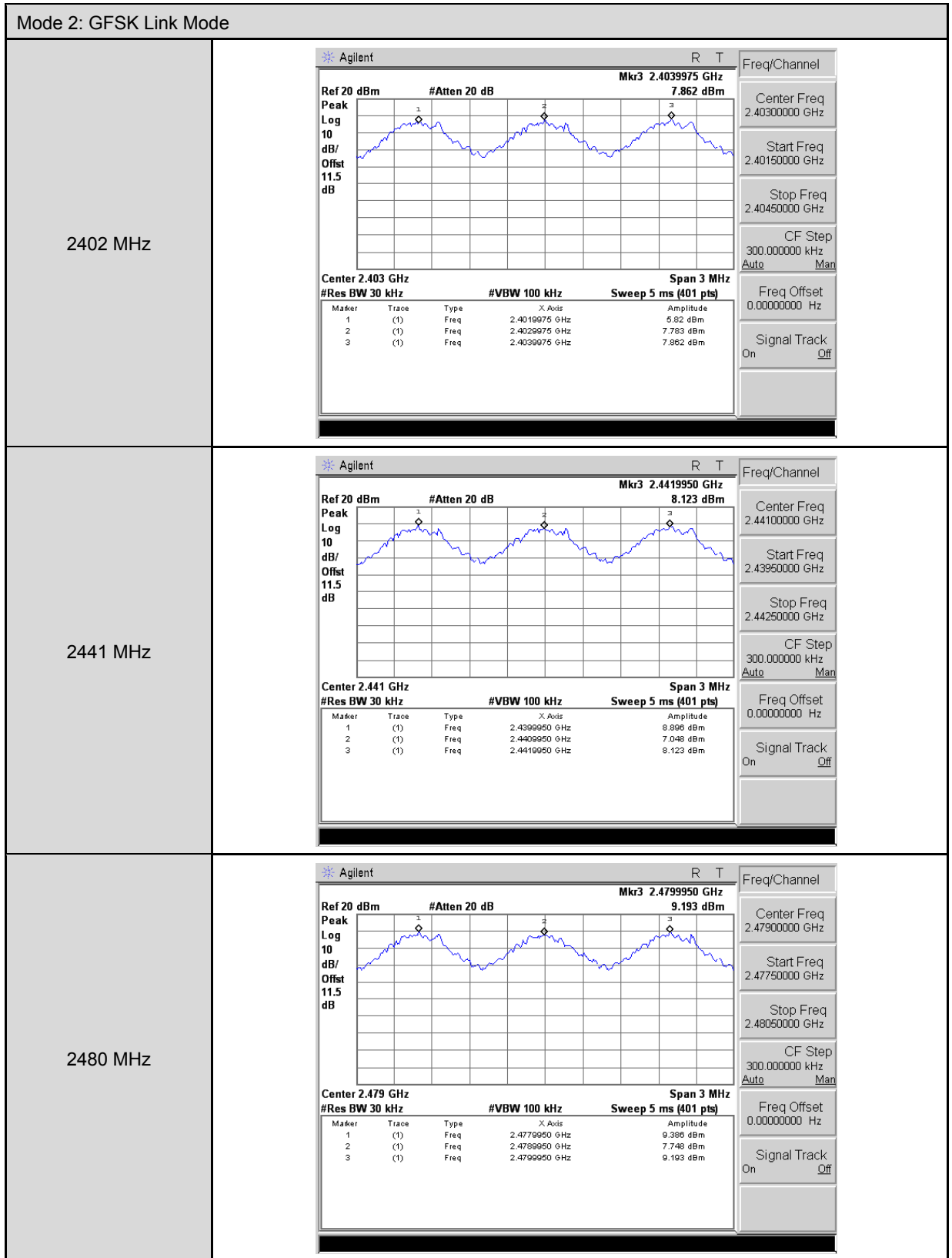
Testing must be done according to this procedure, FCC Public Notice DA 00-705 - Filing and Measurement Guidelines for Frequency Hopping Spread Spectrum Systems. This is the only method recognized by the FCC. The RF output port of the Equipment-Under-Test is directly coupled to the input of the EMC analyzer through a specialized RF connector and a 10dB passive attenuator. A fully charged battery was used for the supply voltage. The Bluetooth frequency hopping function of the EUT was enabled. The following spectrum analyzer settings were used:

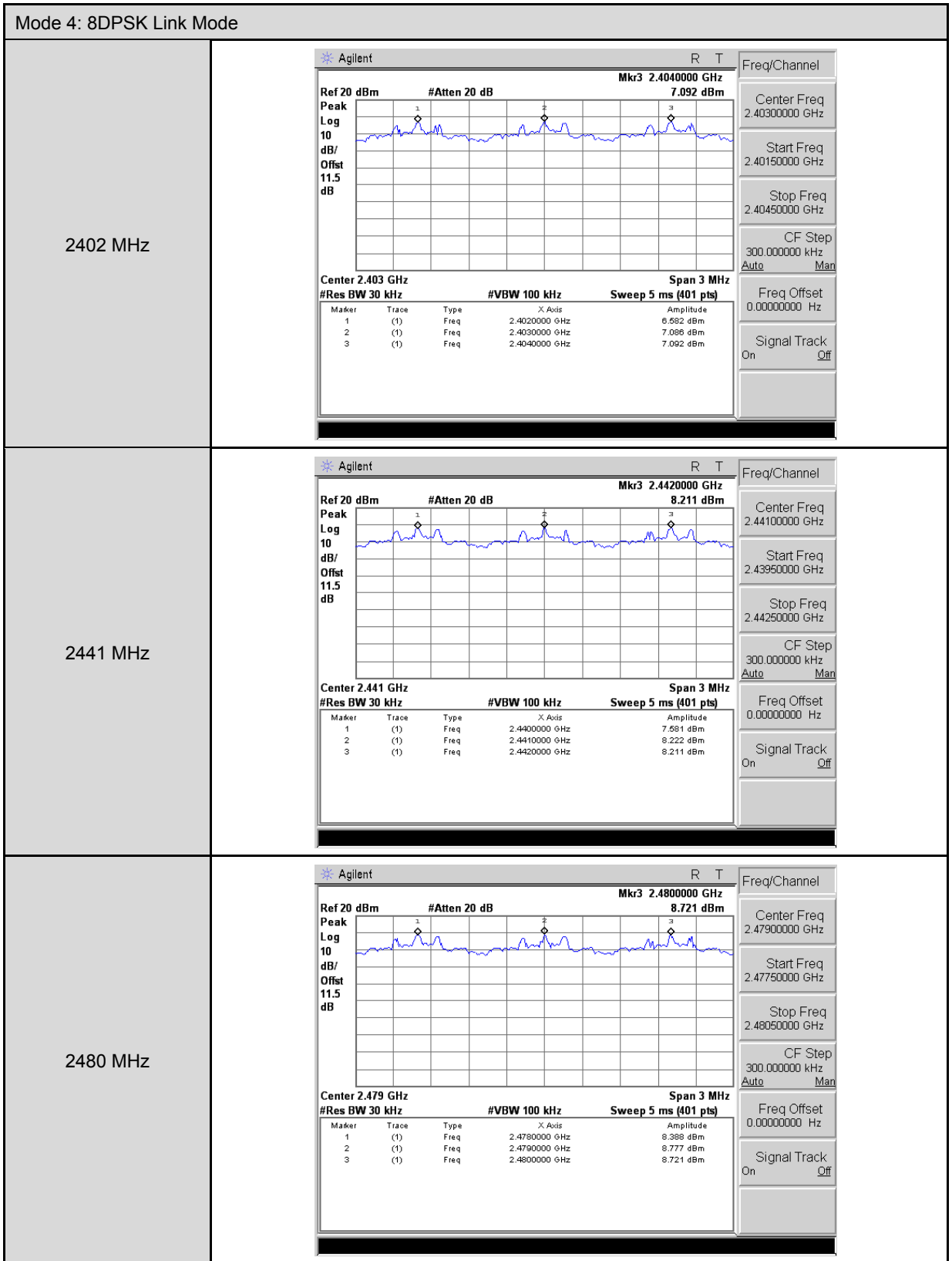
1. Span = wide enough to capture the peaks of two adjacent channels
2. Resolution (or IF) Bandwidth (RBW) \geq 1% of the span
3. Video (or Average) Bandwidth (VBW) \geq RBW
4. Sweep = auto
5. Detector function = peak
6. Trace = max hold

The trace was allowed to stabilize. The marker-delta function was used to determine the separation between the peaks of the adjacent channels.

8.5. Test Result

Model Number	AU3000		
Test Item	Carrier Frequency Separation		
Test Mode	Mode 2 / Mode 4		
Date of Test	01/29/2016	Test Site	TE05
Test Mode	Frequency (MHz)	Measurement (MHz)	Limit (MHz)
Mode 2	2402	1.000	> 0.638
	2441	1.000	> 0.627
	2480	1.000	> 0.627
Mode 4	2402	1.000	> 0.853
	2441	1.000	> 0.864
	2480	1.000	> 0.858

8.6. Test Graphs


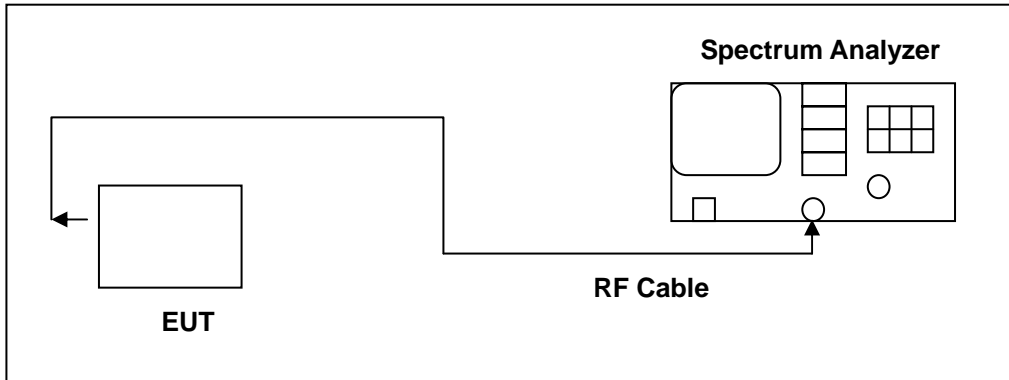


9 Number of Hopping Measurement

9.1. Limit

Frequency hopping systems in the 2400–2483.5 MHz band shall use at least 15 channels.

9.2. Test Setup



9.3. Test Instruments

Equipment	Manufacturer	Model Number	Serial Number	Cal. Date	Remark
Spectrum Analyzer	Agilent	E4445A	MY45300744	12/15/2015	(1)
Microwave Cable	EMCI	EMC104-SM-SM-1500	140303	02/24/2015	(1)
Test Site	ATL	TE05	TE05	N.C.R.	-----

Remark: (1) Calibration period 1 year.

NOTE: N.C.R. = No Calibration Request.

9.4. Test Procedure

Testing must be done according to this procedure, FCC Public Notice DA 00-705 - Filing and Measurement Guidelines for Frequency Hopping Spread Spectrum Systems. This is the only method recognized by the FCC. The RF output port of the Equipment-Under-Test is directly coupled to the input of the EMC analyzer through a specialized RF connector and a 10dB passive attenuator. A fully charged battery was used for the supply voltage. The Bluetooth frequency hopping function of the EUT was enabled. The spectrum analyzer used the following settings:

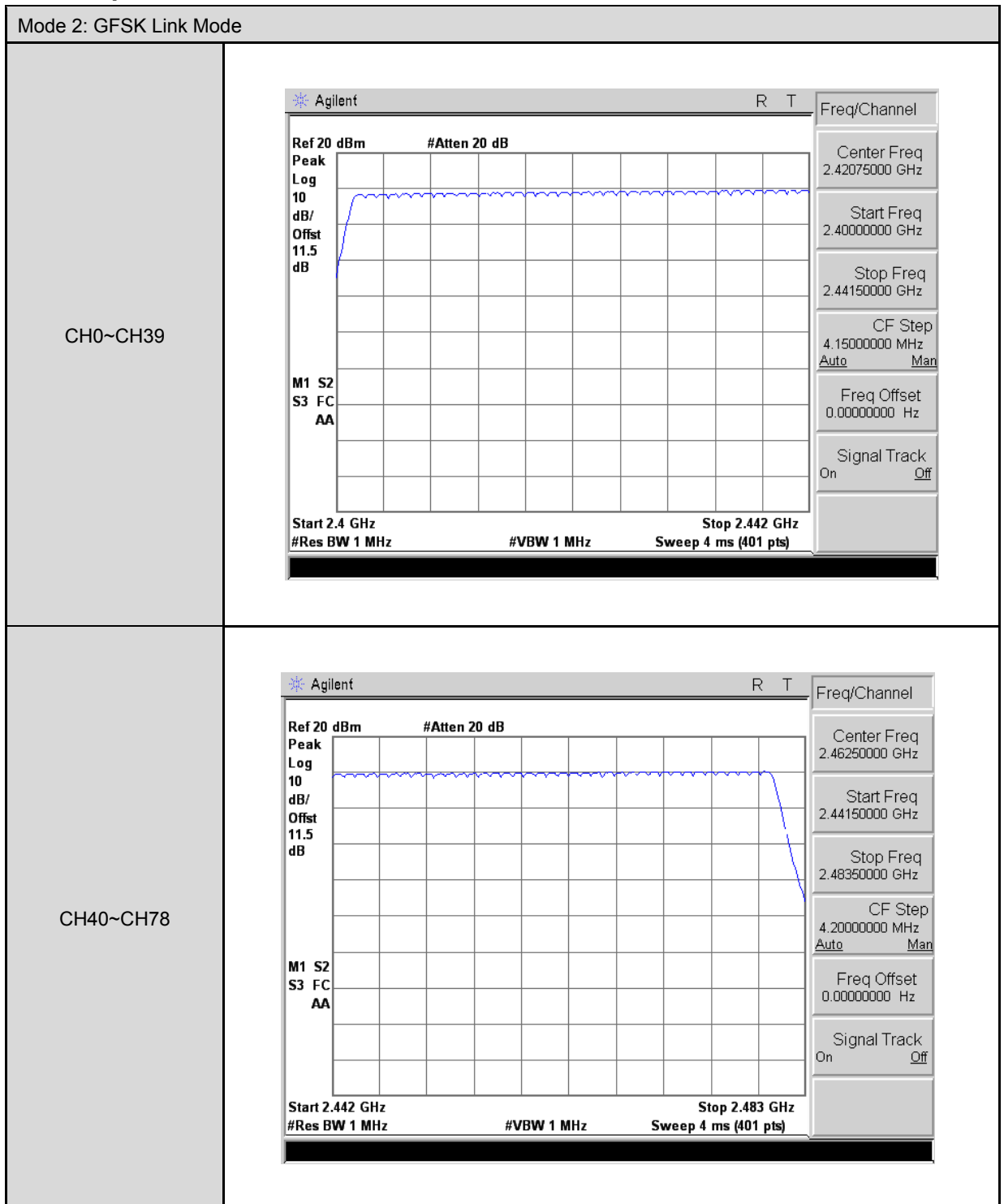
1. Span = the frequency band of operation
2. RBW \geq 1% of the span
3. VBW \geq RBW
4. Sweep = auto
5. Detector function = peak
6. Trace = max hold

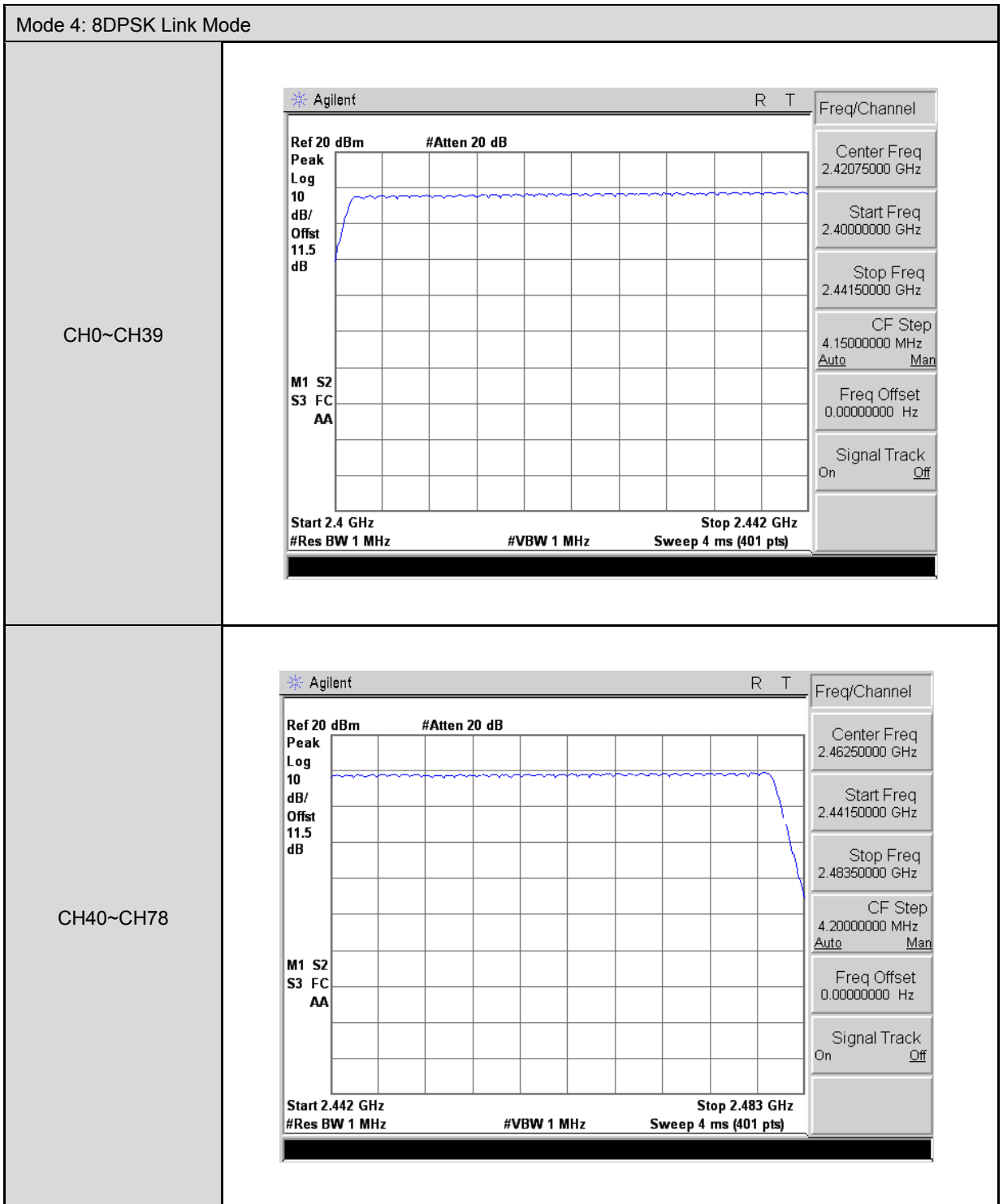
The trace was allowed to stabilize.

9.5. Test Result

Model Number	AU3000		
Test Item	Number of Hopping		
Test Mode	Mode 2 / Mode 4		
Date of Test	01/29/2016	Test Site	TE05
Test Mode	Frequency Range (MHz)	Measurement (ch)	Limit (ch)
Mode 2	2402 - 2480	79	> 15
Mode 3	2402 - 2480	79	> 15
Mode 4	2402 - 2480	79	> 15

9.6. Test Graphs



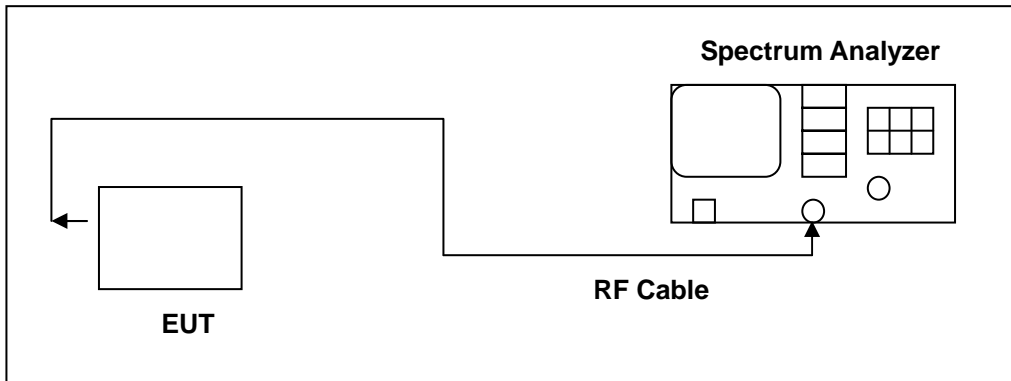


10 Time of Occupancy (Dwell Time) Measurement

10.1. Limit

The average time of occupancy on any channel shall not be greater than 0.4 seconds within a period of 0.4 seconds multiplied by the number of hopping channels employed.

10.2. Test Setup



10.3. Test Instruments

Equipment	Manufacturer	Model Number	Serial Number	Cal. Date	Remark
Spectrum Analyzer	Agilent	E4445A	MY45300744	12/15/2015	(1)
Microwave Cable	EMCI	EMC104-SM-SM-1500	140303	02/24/2015	(1)
Test Site	ATL	TE05	TE05	N.C.R.	----

Remark: (1) Calibration period 1 year.

NOTE: N.C.R. = No Calibration Request.

10.4. Test Procedure

Testing must be done according to this procedure, FCC Public Notice DA 00-705 - Filing and Measurement Guidelines for Frequency Hopping Spread Spectrum Systems. This is the only method recognized by the FCC. The RF output port of the Equipment-Under-Test is directly coupled to the input of the spectrum through a specialized RF connector and a 10dB passive attenuator. A fully charged battery was used for the supply voltage. The Bluetooth hopping function of the EUT was enabled. The following spectrum analyzer settings were used:

1. Span = zero span, centered on a hopping channel
2. RBW = 1 MHz
3. VBW \geq RBW
4. Sweep = as necessary to capture the entire dwell time per hopping channel
5. Detector function = peak
6. Trace = max hold

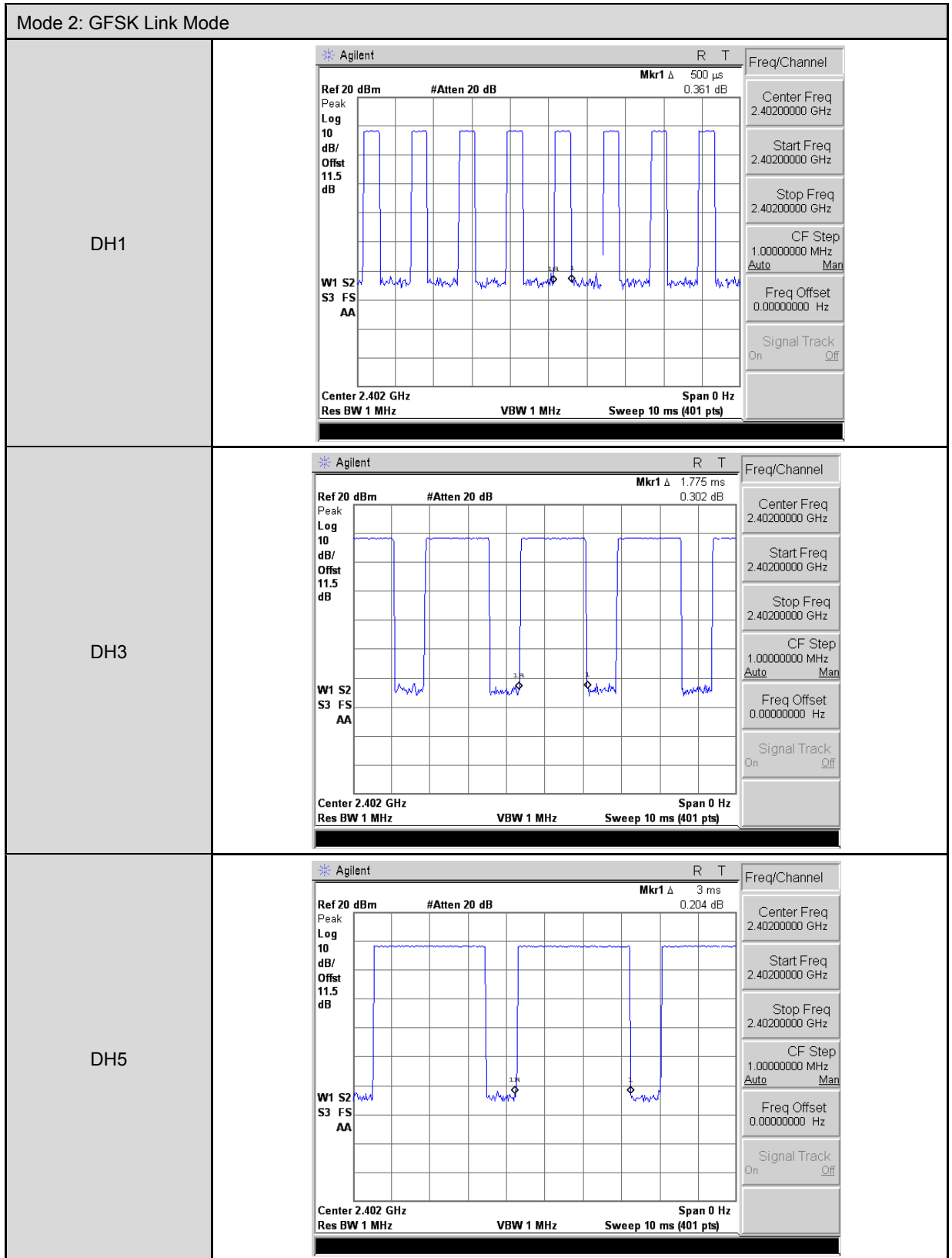
The marker-delta function was used to determine the dwell time.

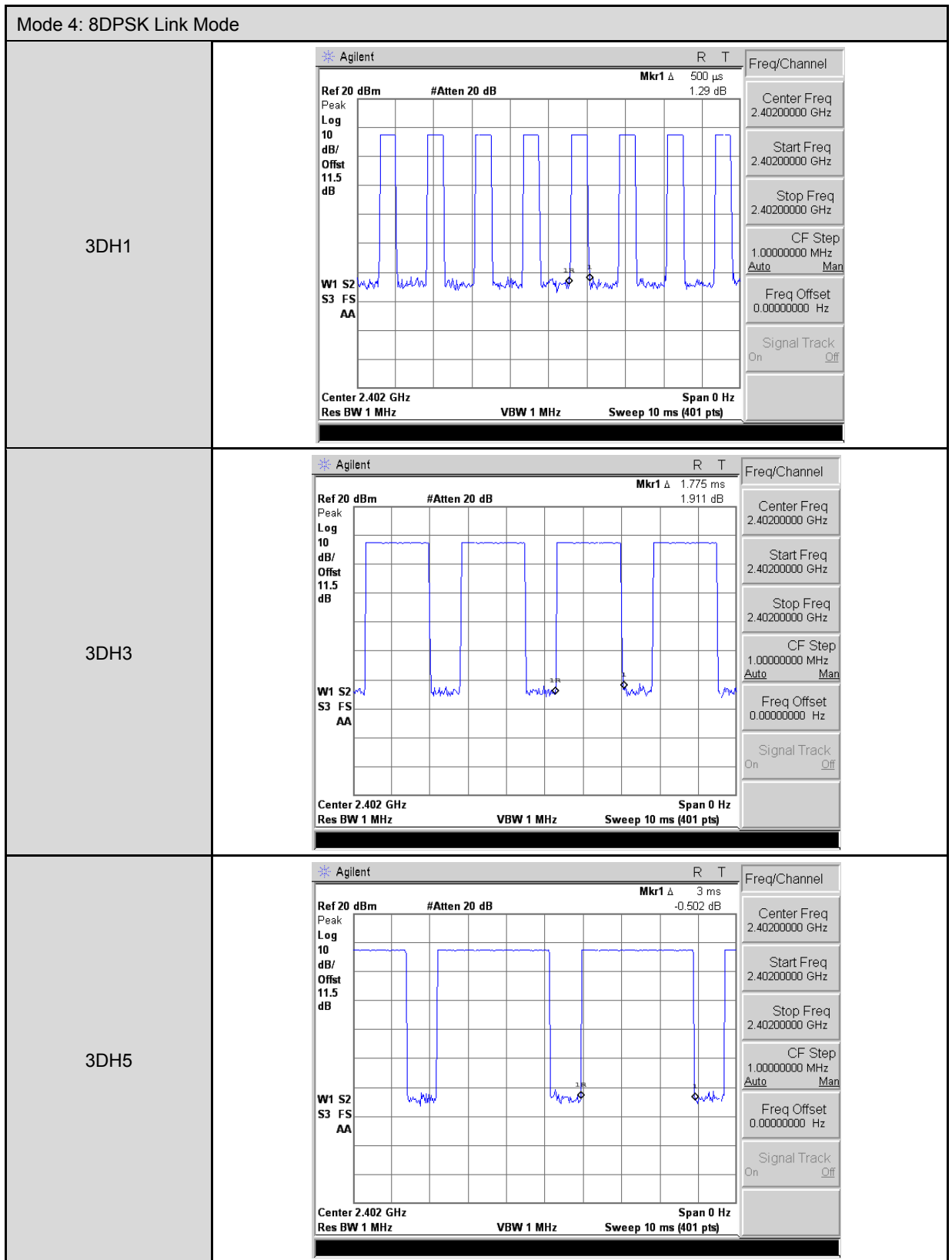
10.5. Test Result

Model Number	AU3000		
Test Item	Time of Occupancy (Dwell Time)		
Test Mode	Mode 2: GFSK Link Mode		
Date of Test	01/29/2016	Test Site	TE05
DH1			
Cycle Calculate	79CH * 0.4 = 31.6 (sec)		
The EUT Hopping Number per Sec	1600 times/sec		
Each Channel Dwell Times per Sec	800/79CH = 10.13(times/sec)		
Each Channel Dwell Times on Cycle(1)	31.6 * 10.13 = 320.108(times)		
Each Channel Dwell Times (2)	0.500	ms (sec)	
Dwell Times on Cycle (1) * (2)	160.0540	ms (sec)	
LIMIT(msec)	< = 400		
DH3			
Cycle Calculate	79CH * 0.4 = 31.6 (sec)		
The EUT Hopping Number per Sec	1600 times/sec		
Each Channel Dwell Times per Sec	400/79CH = 5.1(times/sec)		
Each Channel Dwell Times on Cycle(1)	31.6 * 5.1 = 161.16(times)		
Each Channel Dwell Times (2)	1.775	ms (sec)	
Dwell Times on Cycle (1) * (2)	283.8154	ms (sec)	
LIMIT(msec)	< = 400		
DH5			
Cycle Calculate	79CH * 0.4 = 31.6 (sec)		
The EUT Hopping Number per Sec	1600 times/sec		
Each Channel Dwell Times per Sec	266.7/79CH = 3.37(times/sec)		
Each Channel Dwell Times on Cycle(1)	31.6 * 3.37 = 106.492(times)		
Each Channel Dwell Times (2)	3.000	ms (sec)	
Dwell Times on Cycle (1) * (2)	320.4240	ms (sec)	
LIMIT(msec)	< = 400		

Model Number	AU3000		
Test Item	Time of Occupancy (Dwell Time)		
Test Mode	Mode 4: 8DPSK Link Mode		
Date of Test	01/29/2016	Test Site	TE05
3DH1			
Cycle Calculate	79CH * 0.4 = 31.6 (sec)		
The EUT Hopping Number per Sec	1600 times/sec		
Each Channel Dwell Times per Sec	800/79CH = 10.13(times/sec)		
Each Channel Dwell Times on Cycle(1)	31.6 * 10.13 = 320.108(times)		
Each Channel Dwell Times (2)	0.500	ms (sec)	
Dwell Times on Cycle (1) * (2)	160.0540	ms (sec)	
LIMIT(msec)	< = 400		
3DH3			
Cycle Calculate	79CH * 0.4 = 31.6 (sec)		
The EUT Hopping Number per Sec	1600 times/sec		
Each Channel Dwell Times per Sec	400/79CH = 5.1(times/sec)		
Each Channel Dwell Times on Cycle(1)	31.6 * 5.1 = 161.16(times)		
Each Channel Dwell Times (2)	1.775	ms (sec)	
Dwell Times on Cycle (1) * (2)	283.8154	ms (sec)	
LIMIT(msec)	< = 400		
3DH5			
Cycle Calculate	79CH * 0.4 = 31.6 (sec)		
The EUT Hopping Number per Sec	1600 times/sec		
Each Channel Dwell Times per Sec	266.7/79CH = 3.37(times/sec)		
Each Channel Dwell Times on Cycle(1)	31.6 * 3.37 = 106.492(times)		
Each Channel Dwell Times (2)	3.000	ms (sec)	
Dwell Times on Cycle (1) * (2)	320.4240	ms (sec)	
LIMIT(msec)	< = 400		

10.6. Test Graphs



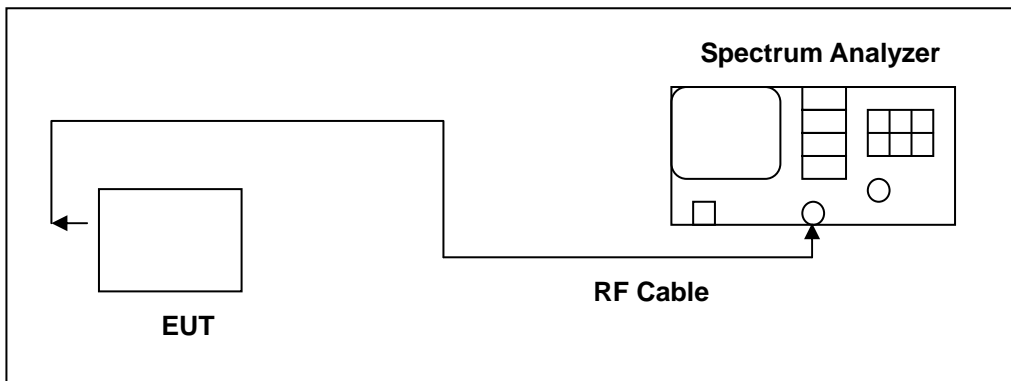


11 Out of Band Conducted Emissions Measurement

11.1. Limit

In any 100 kHz bandwidth outside the frequency band in which the spread spectrum or digitally modulated intentional radiator is operating, the radio frequency power that is produced by the intentional radiator shall be at least 20 dB below that in the 100 kHz bandwidth within the band that contains the highest level of the desired power

11.2. Test Setup



11.3. Test Instruments

Equipment	Manufacturer	Model Number	Serial Number	Cal. Date	Remark
Spectrum Analyzer	Agilent	E4445A	MY45300744	12/15/2015	(1)
Spectrum Analyzer	Agilent	E4408B	MY45107753	07/27/2015	(1)
Microwave Cable	EMCI	EMC104-SM-SM-1500	140303	02/24/2015	(1)
Test Site	ATL	TE05	TE05	N.C.R.	----

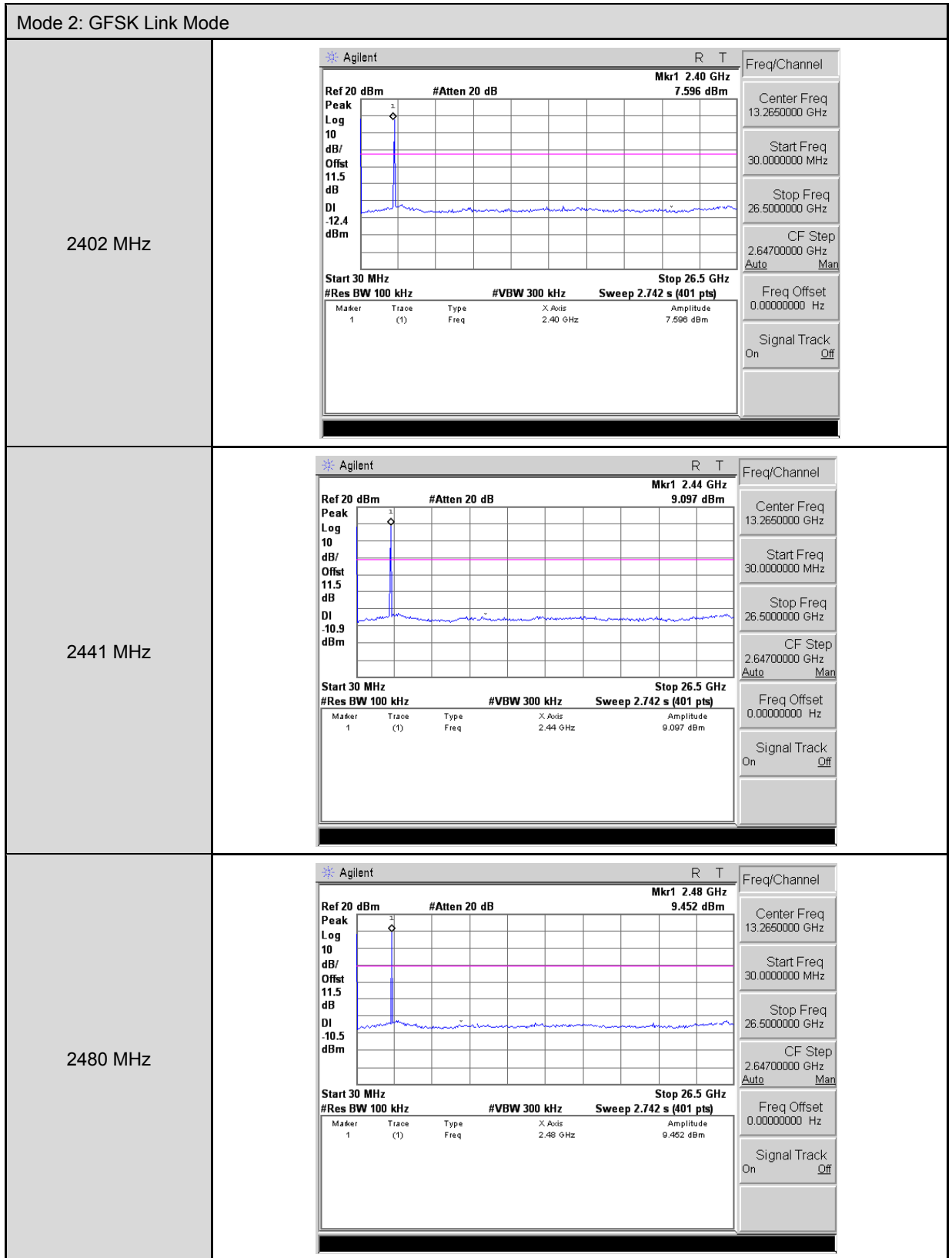
Remark: (1) Calibration period 1 year.

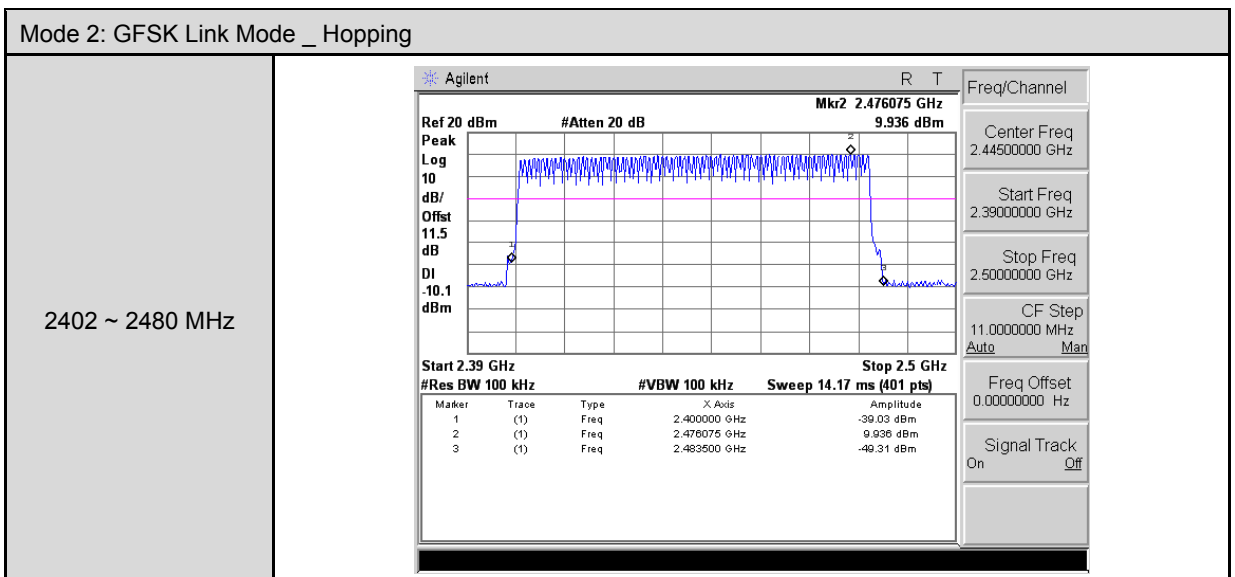
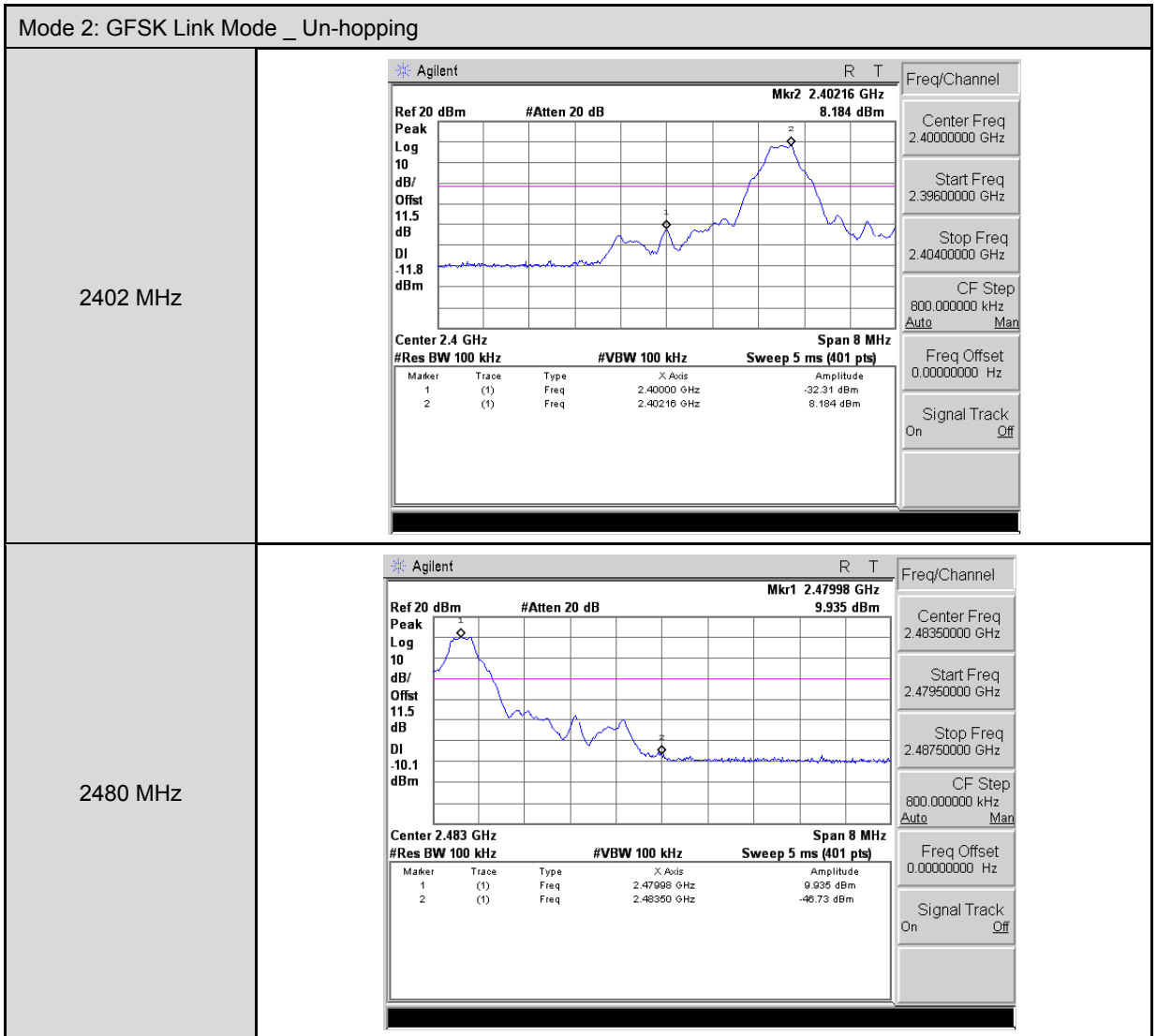
NOTE: N.C.R. = No Calibration Request.

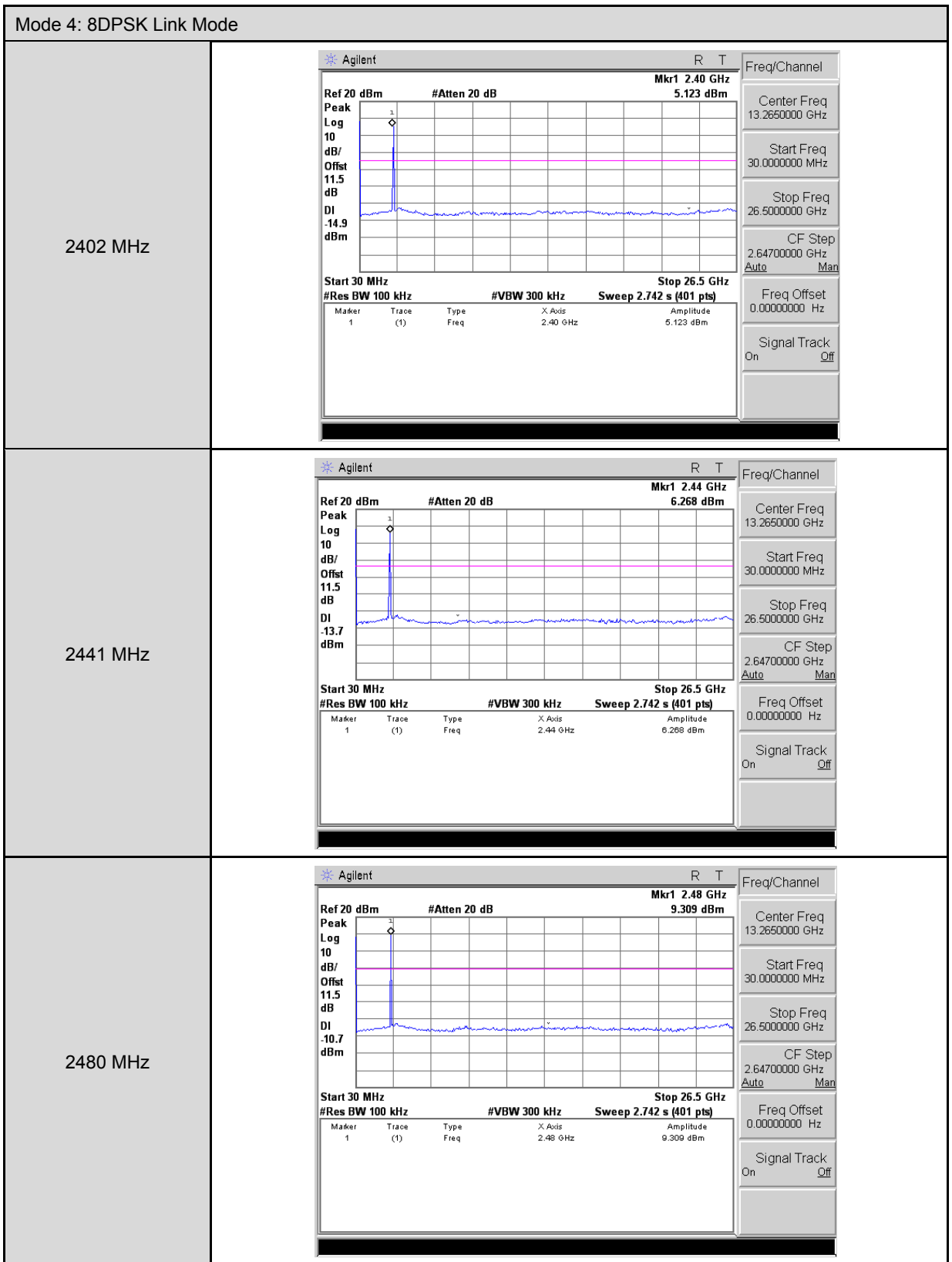
11.4. Test Procedure

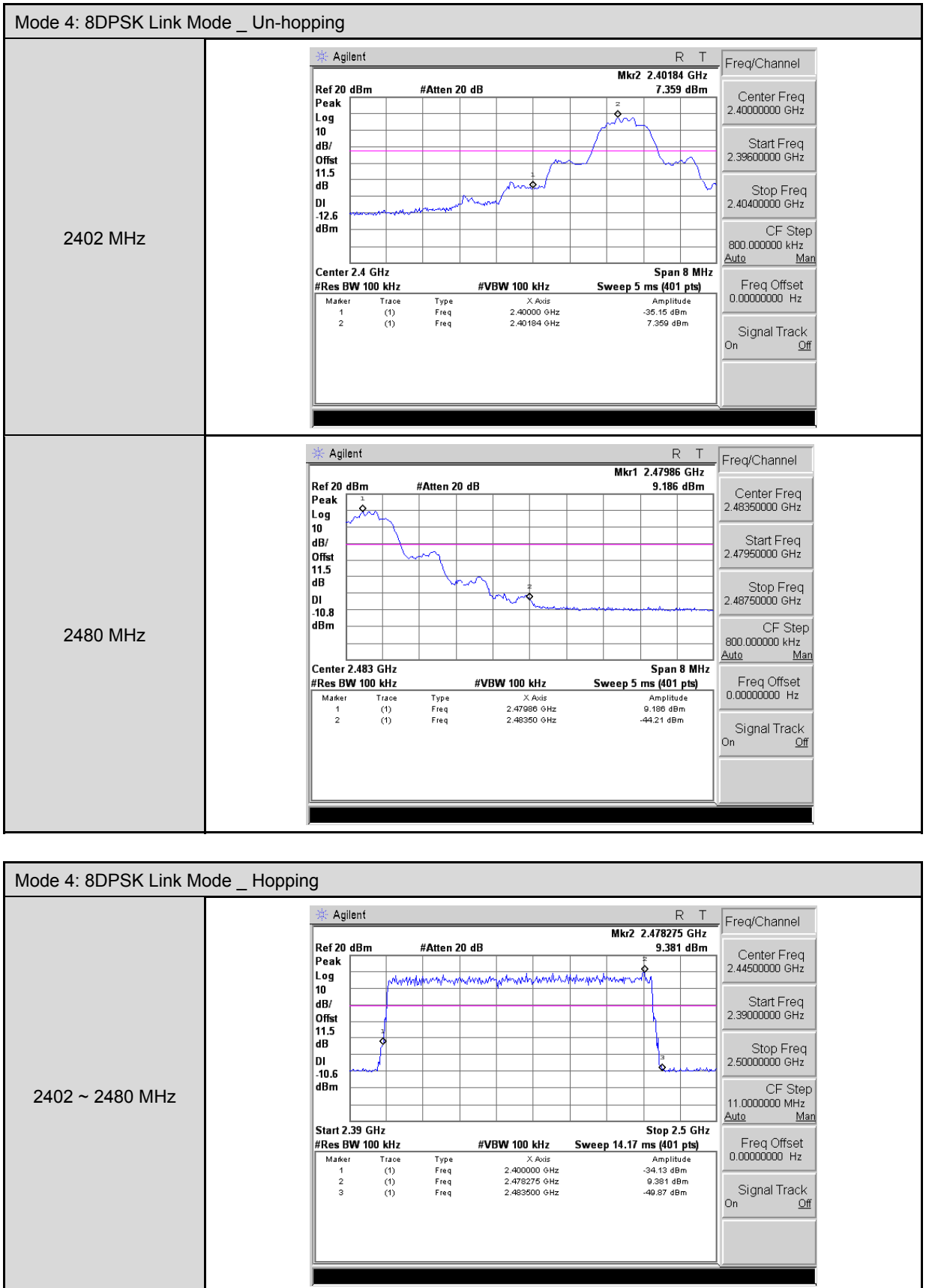
Testing must be done according to this procedure, FCC Public Notice DA 00-705 - Filing and Measurement Guidelines for Frequency Hopping Spread Spectrum Systems. This is the only method recognized by the FCC. In any 100 kHz bandwidth outside the EUT pass band, the RF power produced by the modulation products of the spreading sequence, the information sequence, and the carrier frequency shall be at least 20 dB below that of the maximum in-band 100 kHz emission, antenna output of the EUT was coupled directly to spectrum analyzer; if an external attenuator and/or cable was used, these losses are compensated for with the analyzer OFFSET function. All other types of emissions from the EUT shall meet the general limits for radiated frequencies outside the pass band. The test was performed at 3 channels (Channel 0, 39, 78)

11.5. Test Graphs









12 Antenna Measurement

12.1. Limit

For intentional device, according to 15.203, an intentional radiator shall be designed to ensure that no antenna other than that furnished by the responsible party shall be used with the device.

And According to 15.247 (b)(4), if transmitting antennas of directional gain greater than 6 dBi are used, the power shall be reduced by the amount in dB that the directional gain of the antenna exceeds 6dBi.

12.2. Antenna Connector Construction

The antenna used in this product is PCB antenna type. And the maximum Gain of this antenna is only 4 dBi.