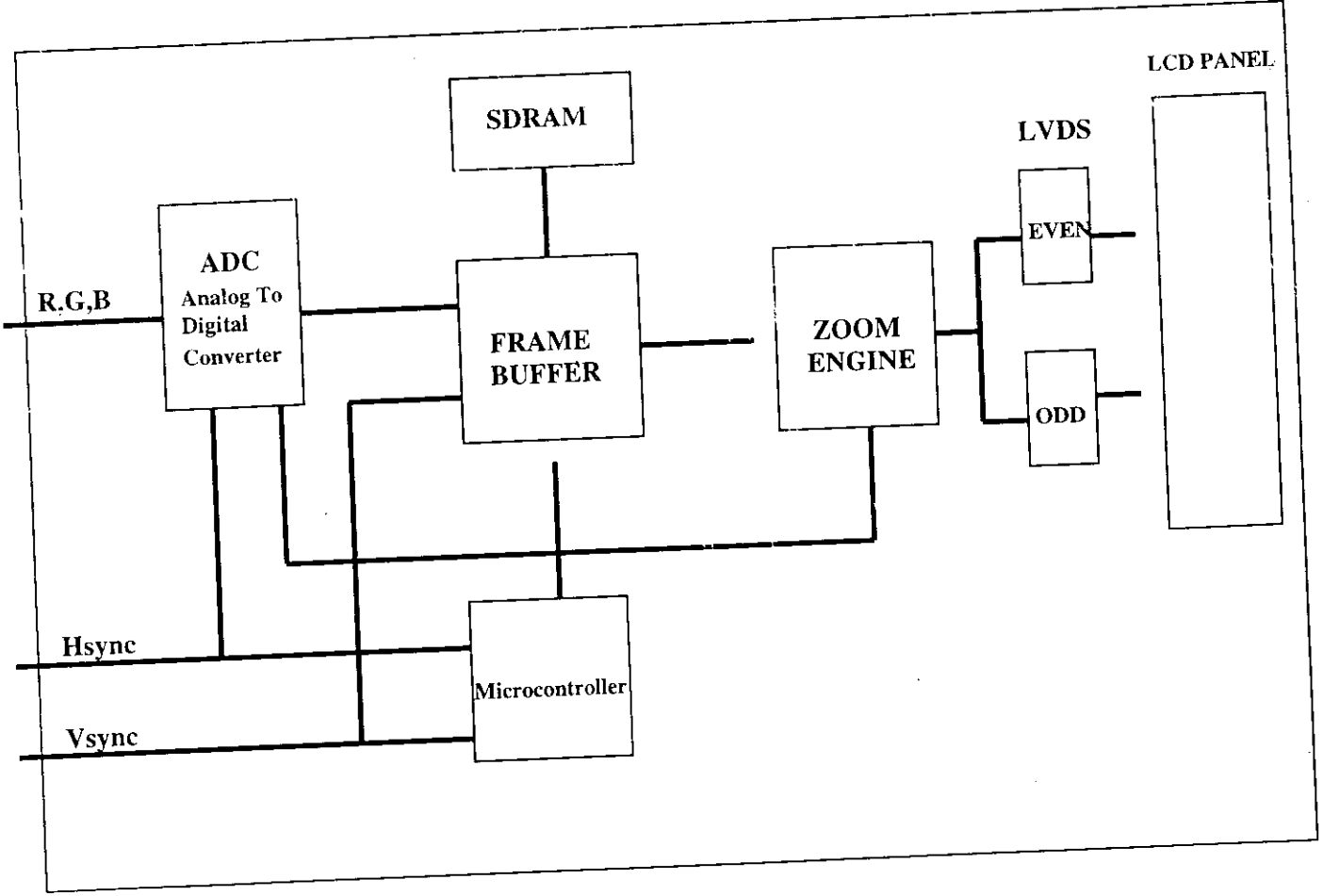


Product System (PS)

Subject: Engineering Specification	Part No.: Doc. No.	201-C01	Rev.: 0
Project Code: 91.75M02.001	Page 18 of 28		
Model Name: 7651F			

3.8 Block Diagram



FCC ID: JVP7651F