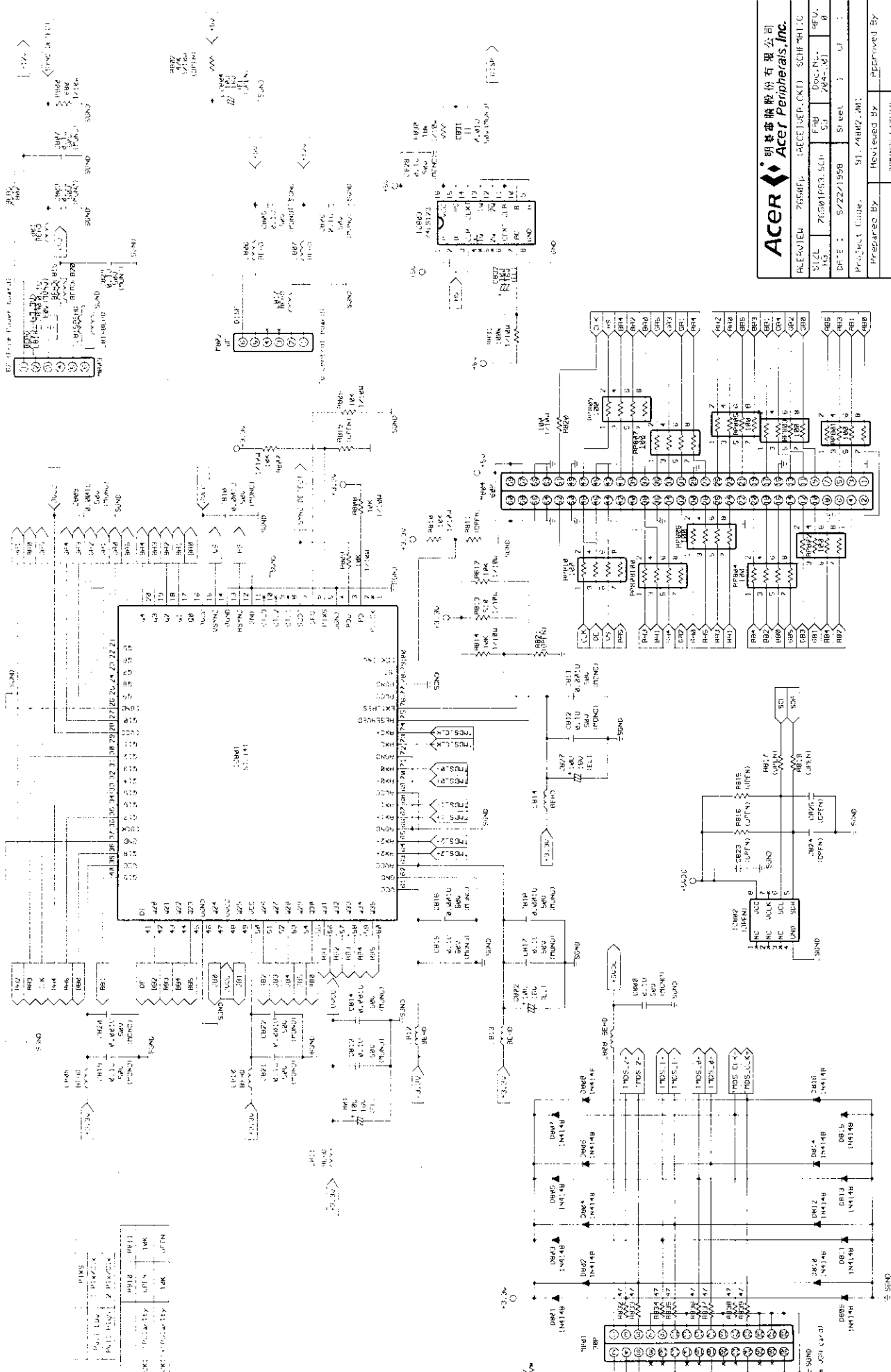
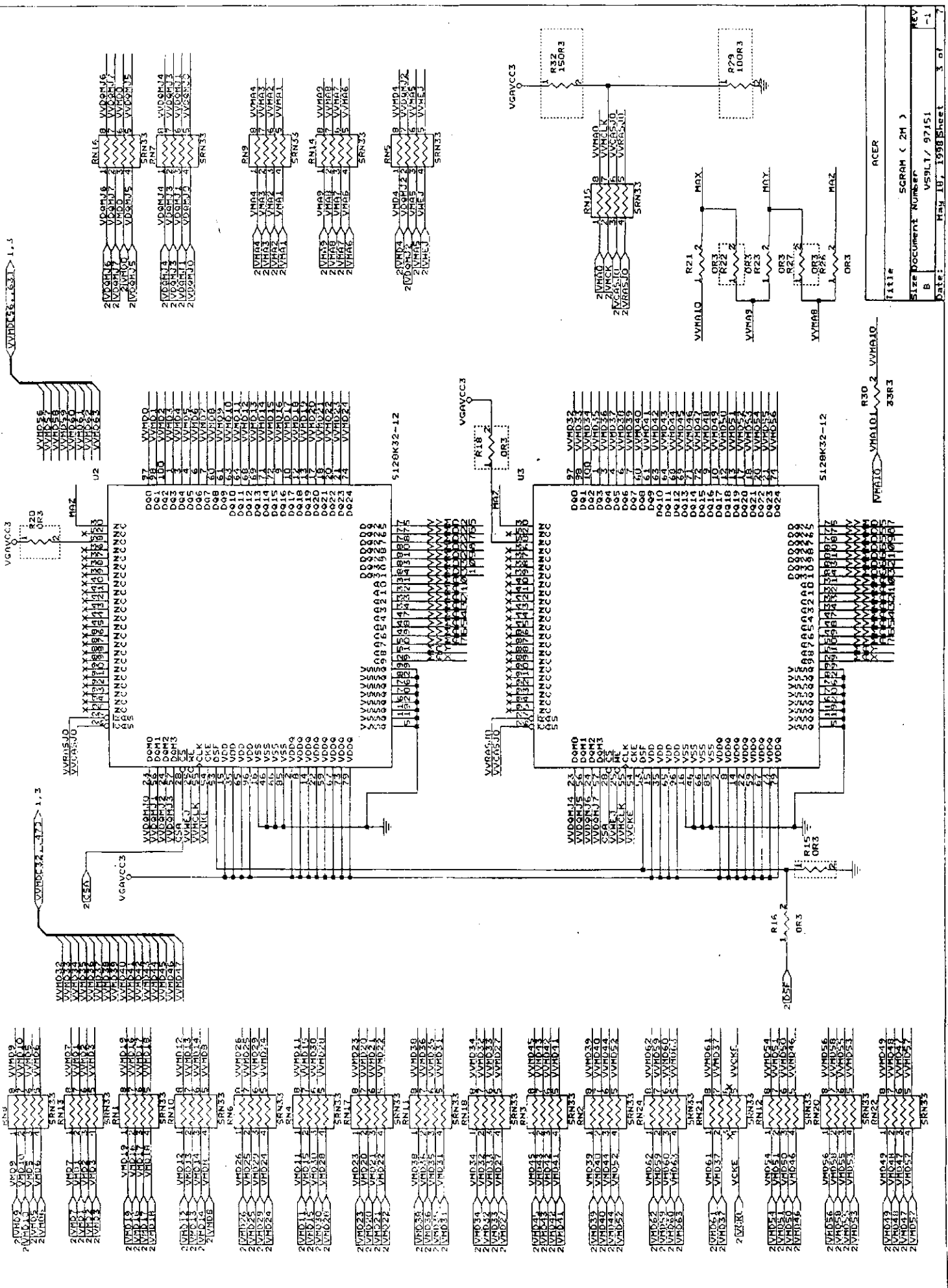


1. Resistor values are in Ohm (1k=1,000 Ohm) unless otherwise indicated.
 2. All resistors are 1/16 watt except where otherwise indicated.
 3. // means common ground.

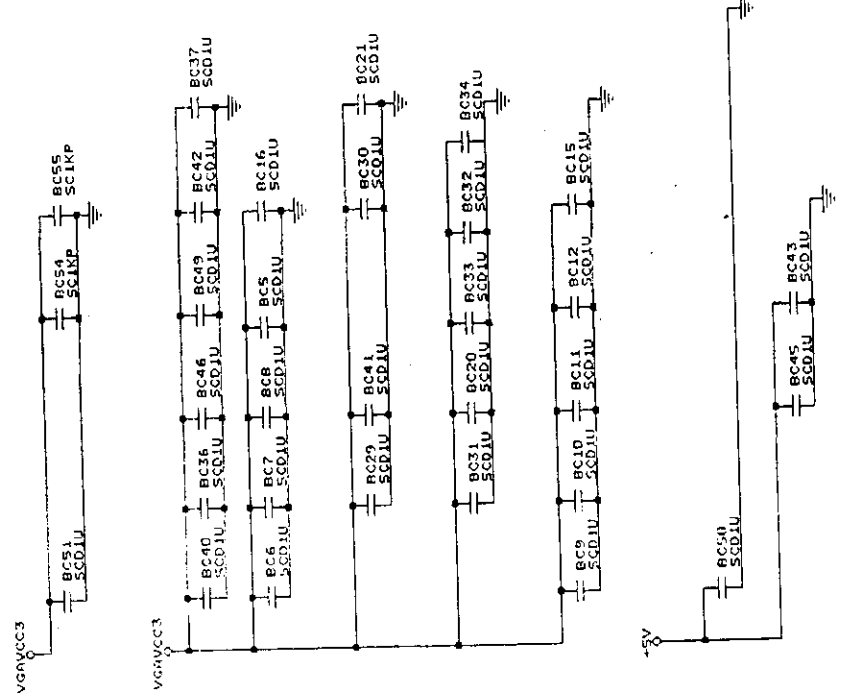
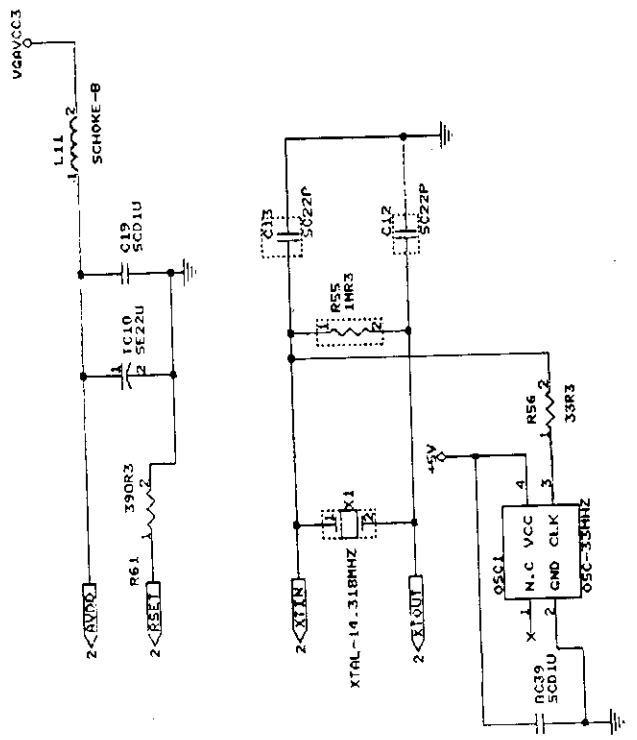
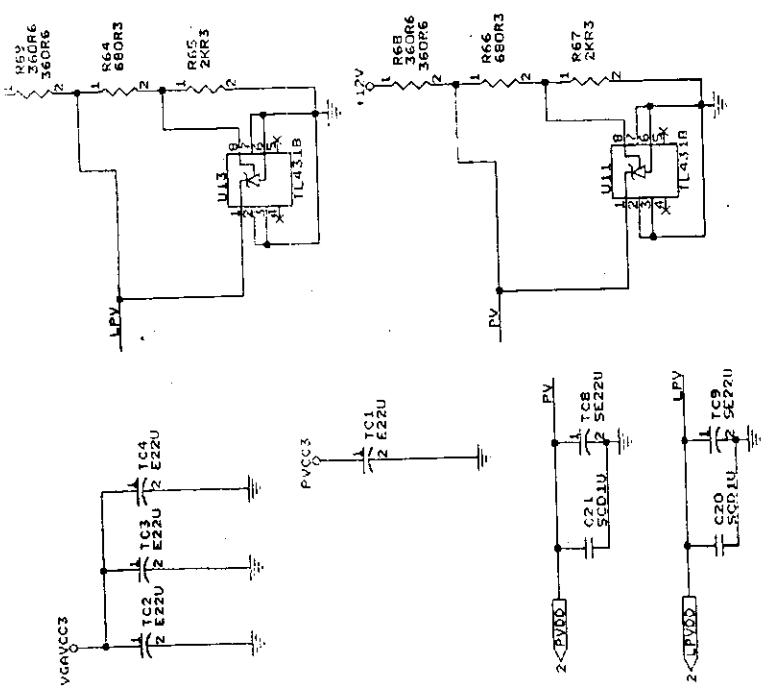


ACER 明基電腦股份有限公司
Acer Peripherals, Inc.

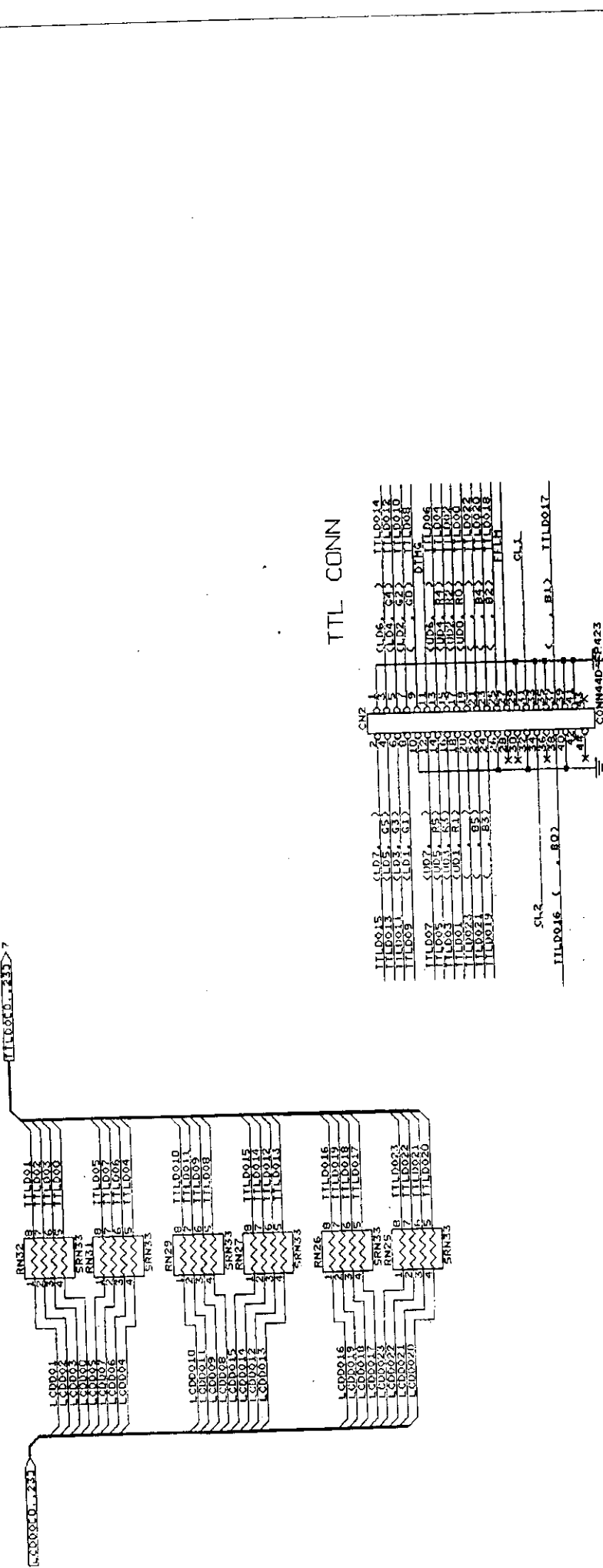
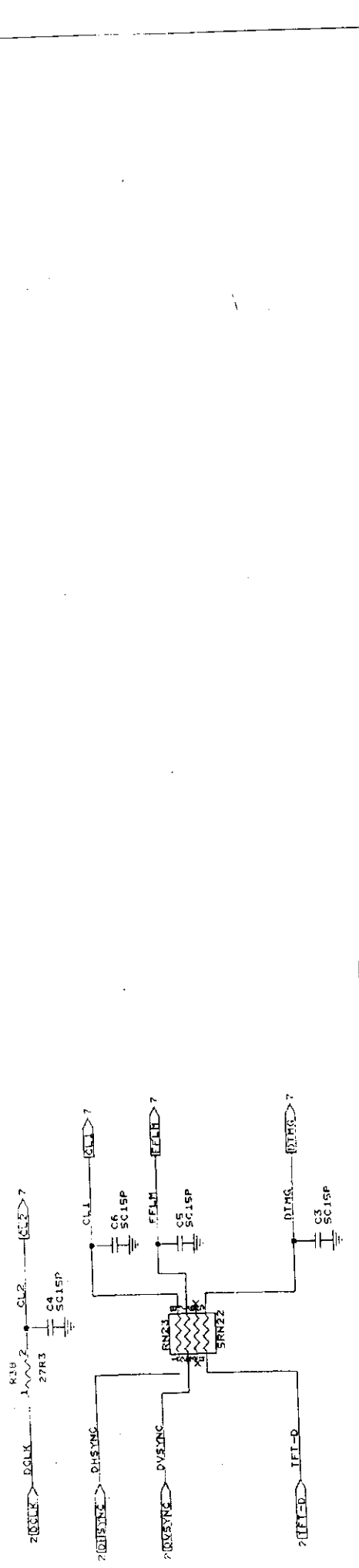
PROJECT: 265MFD (RECEIVER CKT) SCH# 7417-0
 TITLE: 265MFD SCH 50 (REV. 2002-01) 90V
 DATE: 5/22/1998 Sheet 1 of 1
 Project Code: 91-744W7-AM
 Prepared By: _____
 Reviewed By: _____
 DATE: 5/22/98



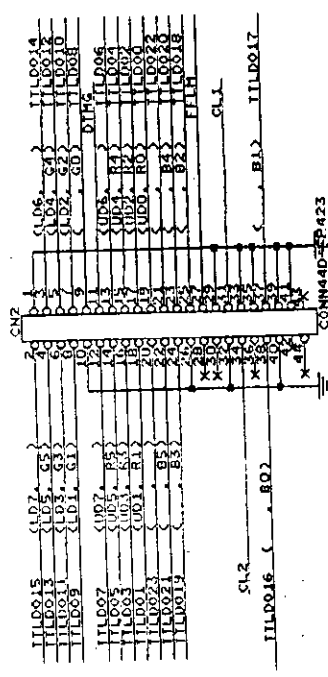
File#	ACER
Title	SCRAM (2M)
Size	Document Number
Rev	B
Date	19980801
Page	3 of 7



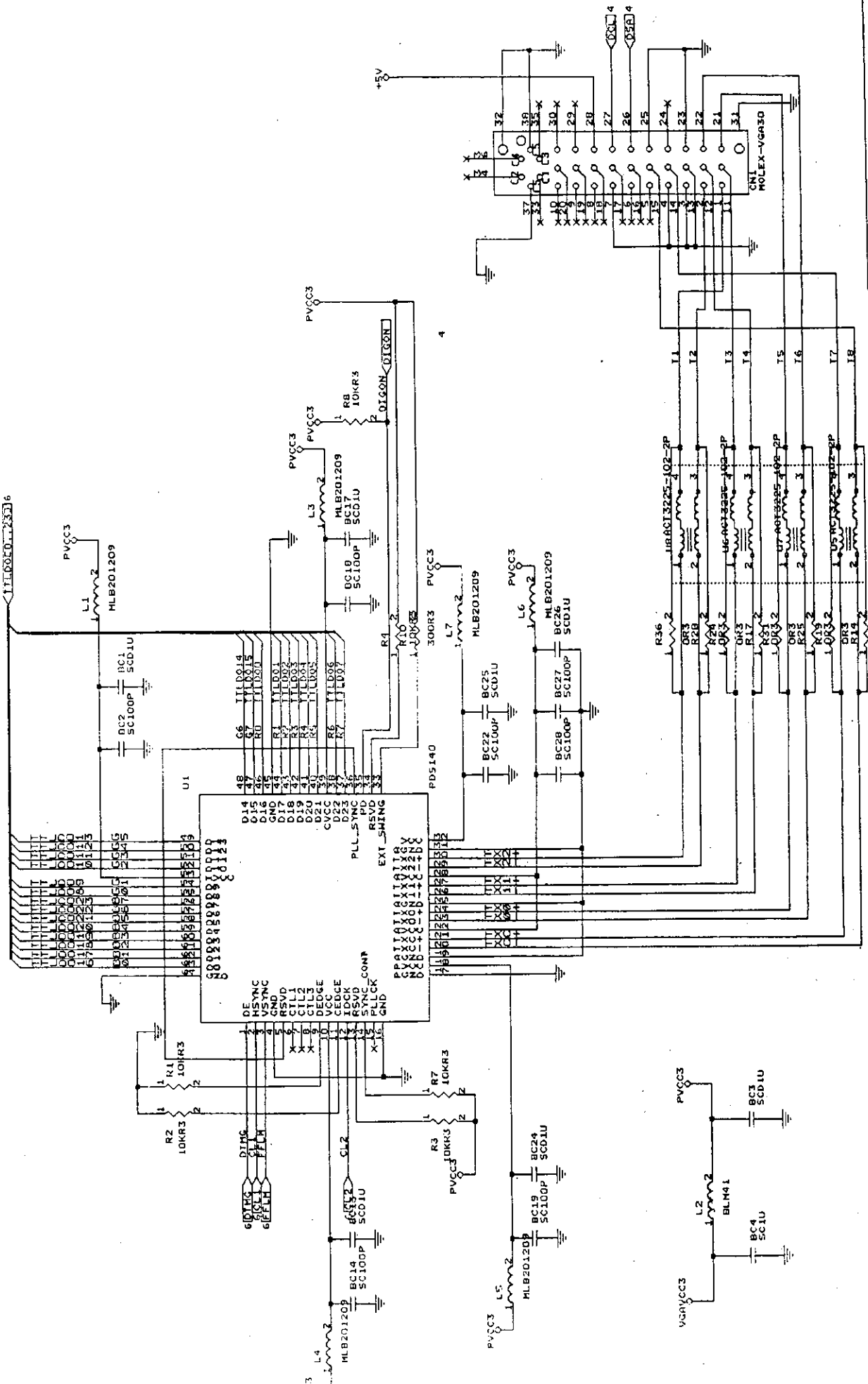
ACER	
TITLE BYPASS CAPACITOR AND POWER FOR VGA	
Size	Document Number
B	V59LT/ 97151
Date	May 18, 1998
Page	5 of 5



TTL CONN



File	ACER
Size	LCD INTERFACE
Document Number	959L1/ 97151
Sheet	8 of 8
Date	March 17, 1998



Rev	7 of 7
Date	May 18, 1998
Size	B
Document Number	EVC Connector
Title	ACER LCD OPEN BUS