

## *EXHIBIT 3*

*EUT and Simulators Configuration*

*Block Diagram*

TOK99-P003**EUT AND SIMULATORS CONFIGURATION***Description of EUT*

Applicant : Acer Peripherals, Inc.  
157 Shan-Ying Road, Kweishan,  
Taoyuan 333, Taiwan, R.O.C.

Manufacturer : Acer Peripherals, Inc.  
157 Shan-Ying Road, Kweishan,  
Taoyuan 333, Taiwan, R.O.C.

Product Name : 17" Monitor

Model Number. : Belinea 10 30 70

FCC ID : JVP7379G

Synchronization : 30 - 95KHz horizontal  
50 - 160Hz vertical

Resolution : max. 1280 \* 1024 pixels, *NON-INTERLACED*

CRT : Mitsubishi, M/N M41KZV31X81  
S/N 9A03651ZZ

VGA Signal Cable (D-Sub) : Shielded, Detachable, 1.5m  
Bonded two ferrite cores

BNC Cable : Shielded, Detachable, 1.5m  
Bonded two ferrite cores

Power Cord : Non-Shielded, Detachable, 1.8m

TTEMC Report No : TTEMC-F99028

Date of Test : Mar. 03 ~ 05, 1999

## *Description of Simulators*

### **@ PERSONAL COMPUTER**

Model Number : V70MA/H61  
Serial Number : N/A  
FCC ID : By DoC  
Manufacturer : Acer Peripherals, Inc.

### **@ PS2 KEYBOARD**

Model Number : 5121  
Serial Number : J83300813  
FCC ID : E5XKBM104M10UC  
Manufacturer : Behavior Tech Computer Corp.

### **@ PRINTER**

Model Number : 2225C+  
Serial Number : 3121S96627  
FCC ID : DSI6XU2225  
Manufacturer : Hewlett Packard

### **@ MODEM**

Model Number : DM-1414  
Serial Number : 980034392  
FCC ID : IFAXDM1414  
Manufacturer : Aceex

### **@ PS2 MOUSE**

Model Number : M-S35  
Serial Number : LZA82103160  
FCC ID : DZL211029  
Manufacturer : Logitech

### **@ USB MOUSE #1**

Model Number : M-UB48  
Serial Number : LZB81900212  
FCC ID : DZL211137  
Manufacturer : Logitech

### **@ USB MOUSE #2**

Model Number : M-UB48  
Serial Number : LZB81900216  
FCC ID : DZL211137  
Manufacturer : Logitech

**@ SPEAKER**

Model Number : J-008  
Serial Number : 97-C-009783-T  
Manufacturer : (J-S) JAZZ HIPSTER

**@ WALKMAN**

Model Number : RQ-P35LT-K  
Serial Number : HA08465  
Manufacturer : Panasonic

**@ JOYSTICK**

Model Number : 1FD05015  
Serial Number : N/A  
Manufacturer : Rambo

**@ MICROPHONE**

Model Number : HD-303  
Serial Number : N/A  
Manufacturer : Multimedia Microphone System

**@ TELEPHONE**

Model Number : K-2500TRP  
Serial Number : 1015395  
Manufacturer : Kuo Yang

## *Block Diagram*

*(Please refer to next page for details)*

# Acer Peripherals, Inc.

# Release Notice

Product System (PS)

Subject: Circuit Operation Theory

Part No.:

Rev.: 0

Doc. No.

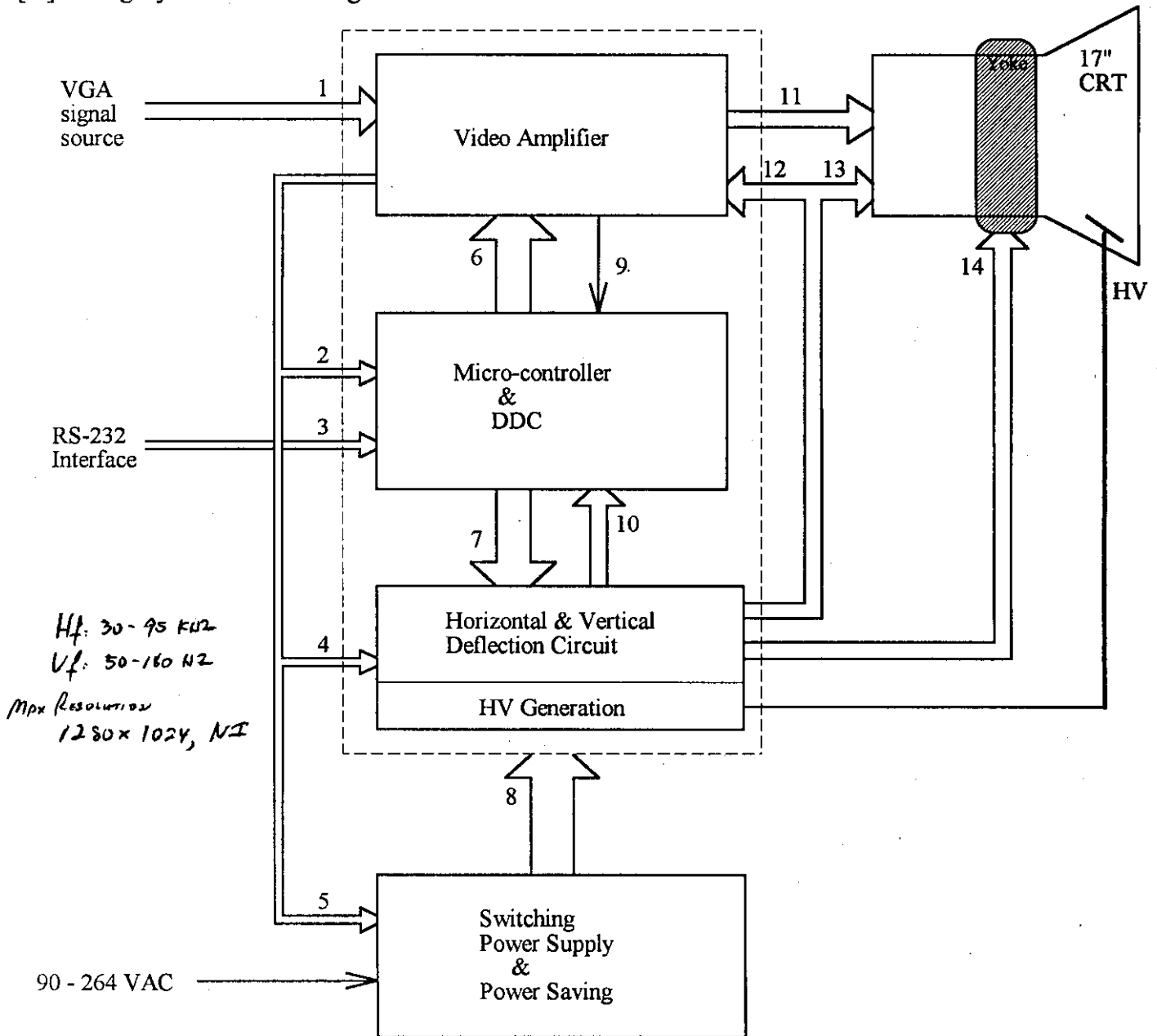
318-C01

Project Code: 91.73602.001

Page 1 of 36

Model Name: 7379g

### [A] 7379g System Block Diagram



**Acer Peripherals, Inc.****Release Notice** Product System (PS)Subject: **Circuit Operation Theory**

Part No.:

Rev.: **0**Doc. No. **318-C01**Project Code: **91.73602.001**

Page 29 of 36

Model Name: **7379g****Video Circuit :****1. Design Specifications :****1.1 input :**

D-sub connector

**1.2 sync type :**

separate sync

composite sync

**1.3 pixel rate = 160 MHz****1.4 light output (3" block pattern) = 40F.L. [ brightness at cutoff and contrast at max.]**

light output (full white pattern)= 28F.L. [ brightness at cutoff and contrast at max.]

**2. CRT Specifications :****2.1 heater voltage = 6.3V**

heater current = 0.32A (typical)

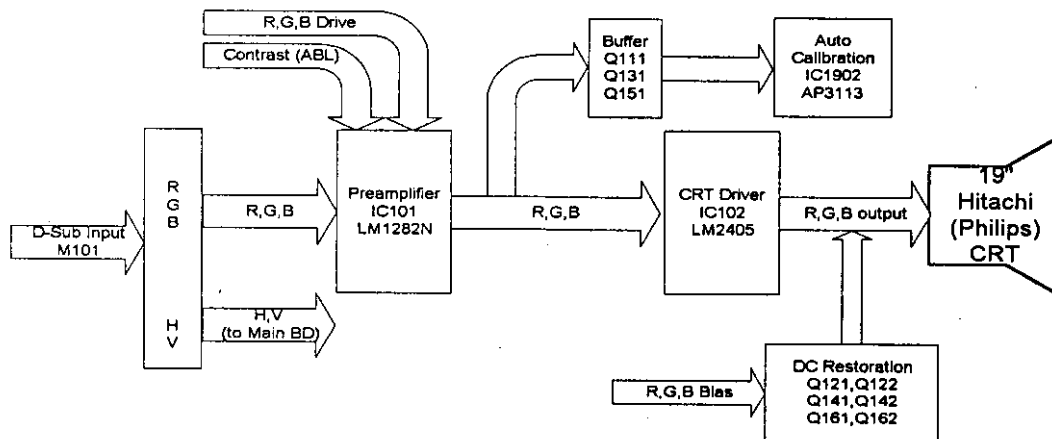
**2.2 cathode spot cutoff voltage = 110V****2.3 max-to- min cutoff ratio = 1.17****3. Block Diagram :**

Fig. 1 Block Diagram of 7299SL Video

# Acer Peripherals, Inc.

# Release Notice

Product System (PS)

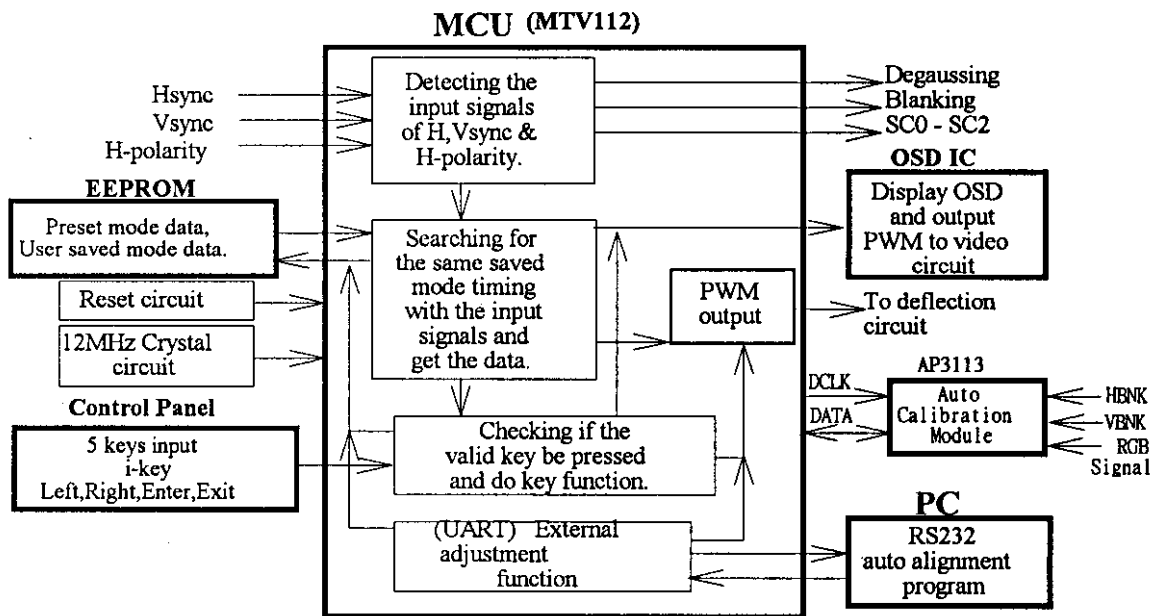
Subject: <b>Circuit Operation Theory</b>	Part No.:	Rev.: 0
Project Code: 91.73602.001	Doc. No. <b>318-C01</b>	Page 18 of 36
Model Name: <b>7379g</b>		

### 1. Introduction :

This model, 7379g, will support powerful OSD function to help end user fine adjustment. The Microcontroller circuit of the 7379g can determine what mode it is by detecting the frequency of horizontal and vertical synchronous and the polarity of horizontal synchronous, and provide DC voltages to control the picture and save the adjusted value into the EEPROM by using the OSD, "On Screen Display control", that means the user can get any information of the picture display or adjust it and save the status values into the EEPROM by choosing and pressing the proper key according to the indication of the OSD. In addition, user can press i-key to do auto-calibration.

### 2. Block diagram :

The major parts of 7379g Microcontroller circuit are MCU, EEPROM, OSD IC, and Auto Calibration Module. The circuit block diagram is shown as below.



### 3. MCU and the peripheral circuit operation theory:

#### 3-1. MCU function:



**Acer Peripherals, Inc.****Release Notice** Product System (PS)

Subject: Circuit Operation Theory	Part No.:	Rev.: 0
	Doc. No. 318-C01	
Project Code: 91.73602.001		Page 2 of 36
Model Name: 7379g		

FIGURE.1 7379g System Block Diagram

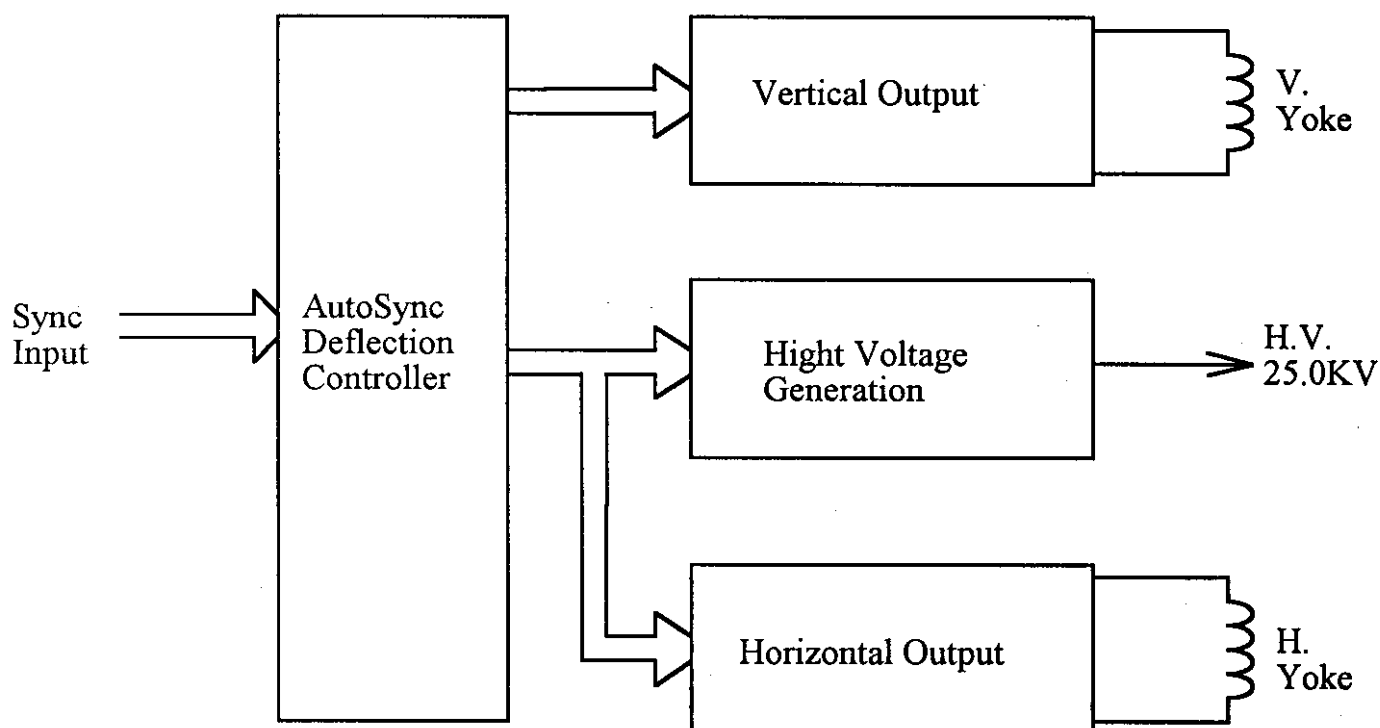
**[B] Deflection and HV generation circuit introduction****B.1. Deflection and HV generation circuit block diagram**

FIGURE.2 Deflection and HV generation circuit block diagram

As FIGURE.2, the 7379G monitor is different with another monitor; this monitor uses a separated horizontal output circuit. One is H-size processing circuit, another is high voltage processing circuit. Separated horizontal output circuit has a big advantage: excellent high voltage regulation, so this monitor adopts the advantage to get a perfect picture.

**B.2. 7379g Function Block of Deflection & HV generation**

# Acer Peripherals, Inc.

# Release Notice

Product System (PS)

Subject: **Circuit Operation Theory**

Part No.:

Rev.: 0

Doc. No.

318-C01

Project Code: 91.73602.001

Page 23 of 36

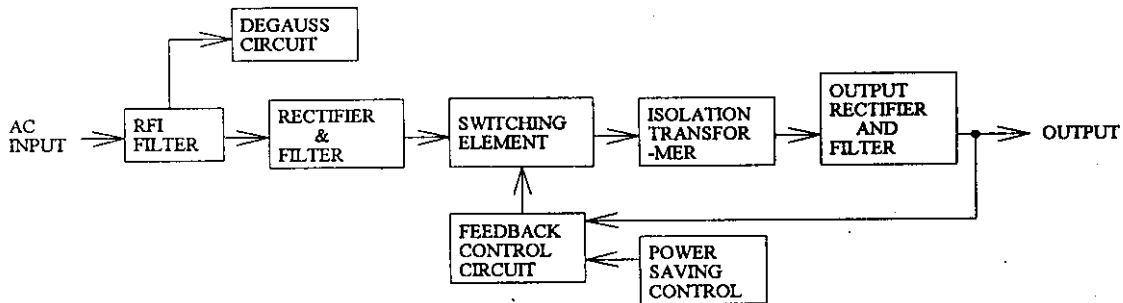
Model Name: 7379g

Input Voltage : 90~264VAC (UNIVERSAL)

Input Frequency : 47~63Hz

Output Requirement:	Output	MAX. Load Current
	+6.5V	0.8A
	+15V	0.75A
	+24V	0.36A
	+80V	0.11A
	+180V	0.36A

## 2. Block Diagram



## 3. Circuit Operation Theorem

### 3.1 RFI FILTER

This circuit designed to inhibit electric and magnetic interference for meet FCC, VDE, VCCI standard requirements.

