

Product System (PS)

Subject:	Circuit Operation Theory	Part No.:	91.67524.20X	Rev.:	0
		Doc. No.:	318-C01		
Project Code:	91.67524.001			Page	1 of 3
Model Name:	6696-20X				

Circuit Operation Theory For SNAPSCAN 1212P(6696-20X)

The A4 size flatbed scanner: SNAPSCAN 1212P(6696-20X), utilizes the ASIC (AP2103A2) . It used 8MHz clock rate, and uses internal timing to drive the NEW color CCD.

The ASIC operates at the same speed as 610P, while the CPU 80C32 uses the operating speed to do firmware timing and control. The CPU gives firmware to control the CCD SHIFT timing, Line-Motor control, ASIC programming, and Mode-Switching for color/gray/halftone mode.

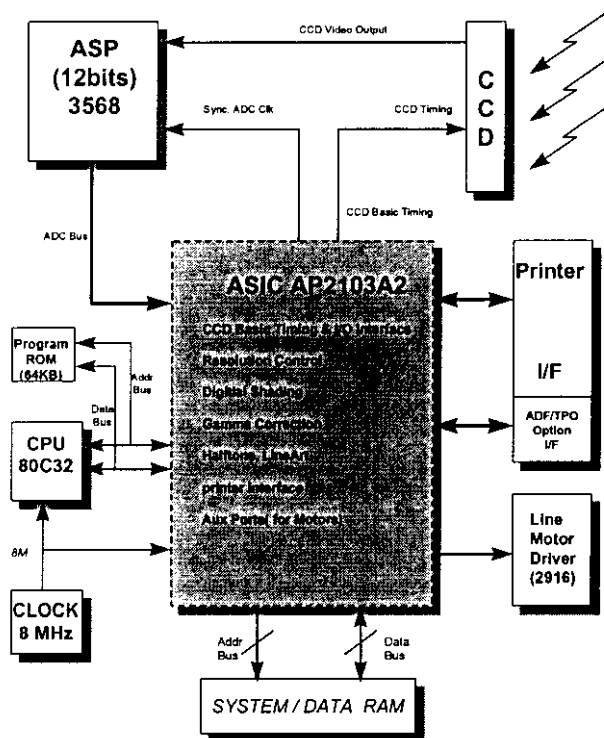


Fig 1 MainBoard Block Diagram