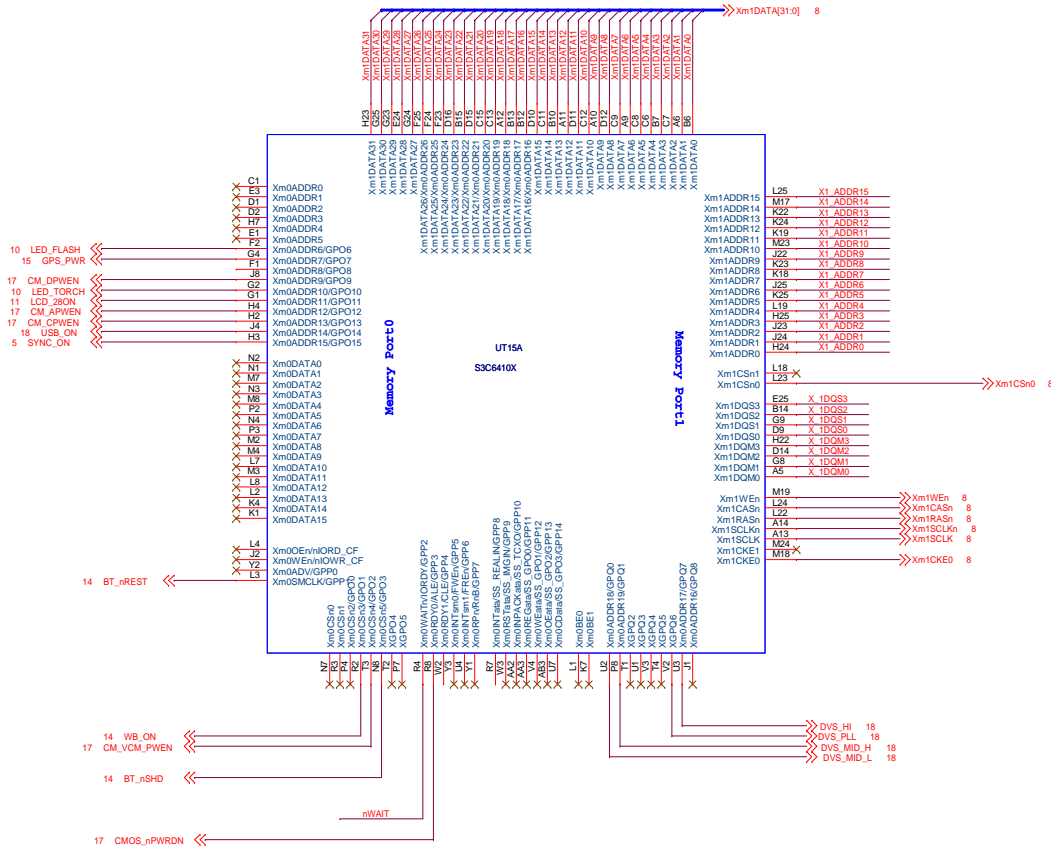
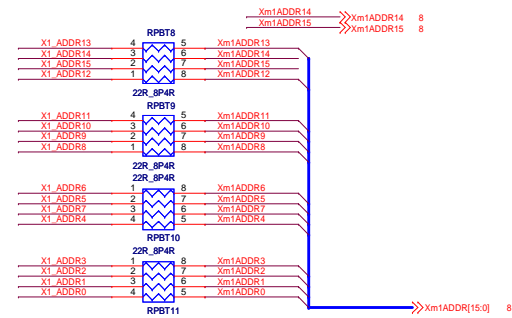
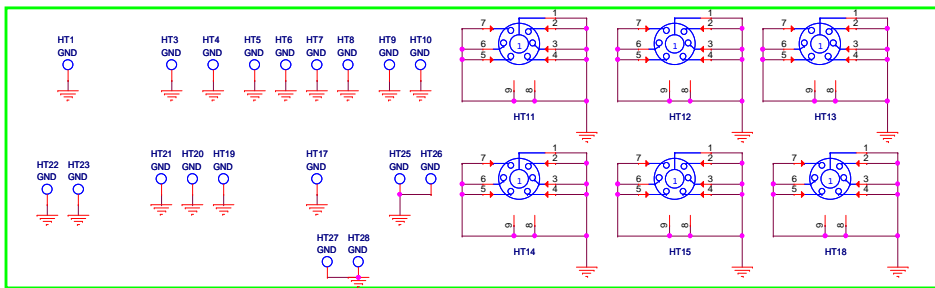
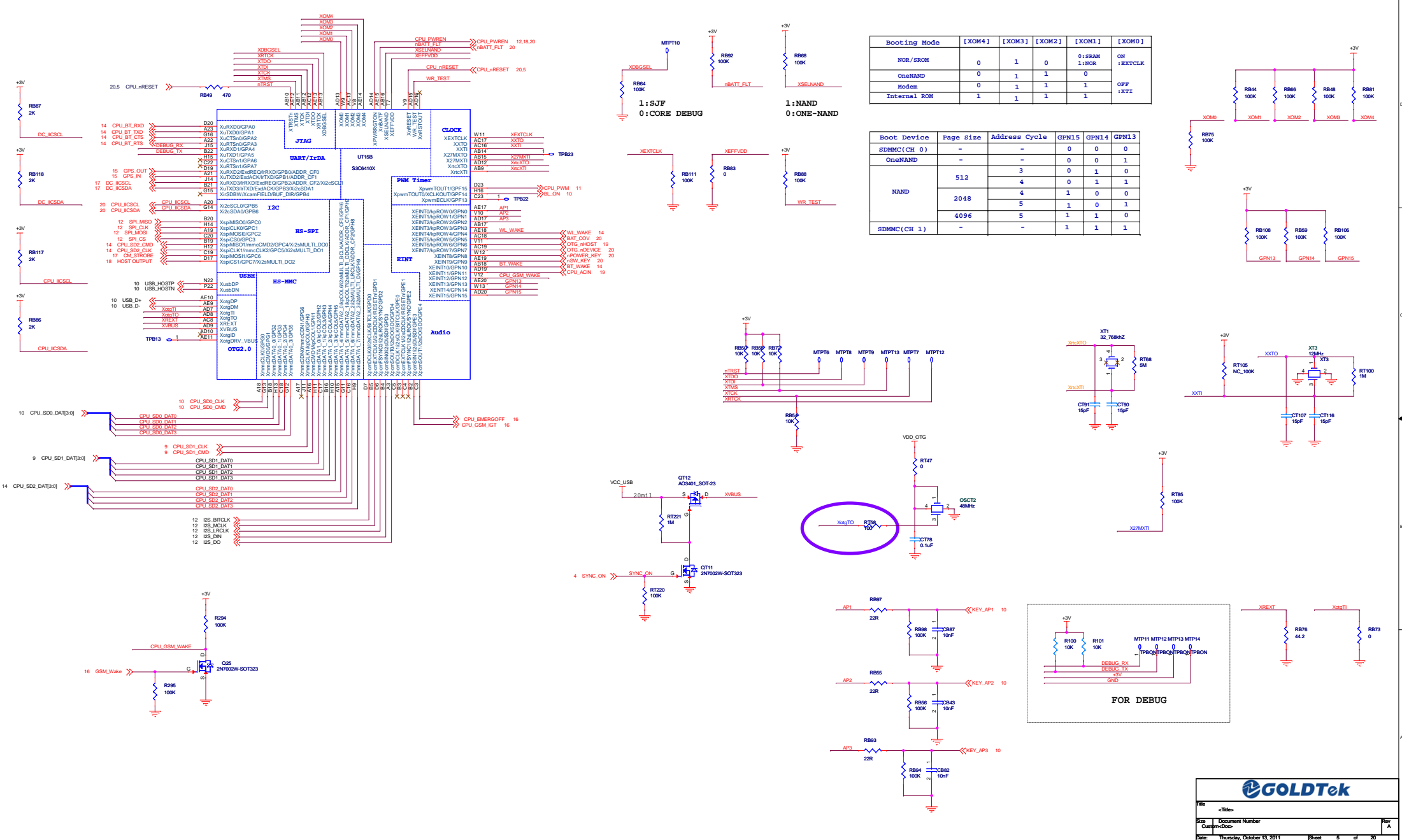
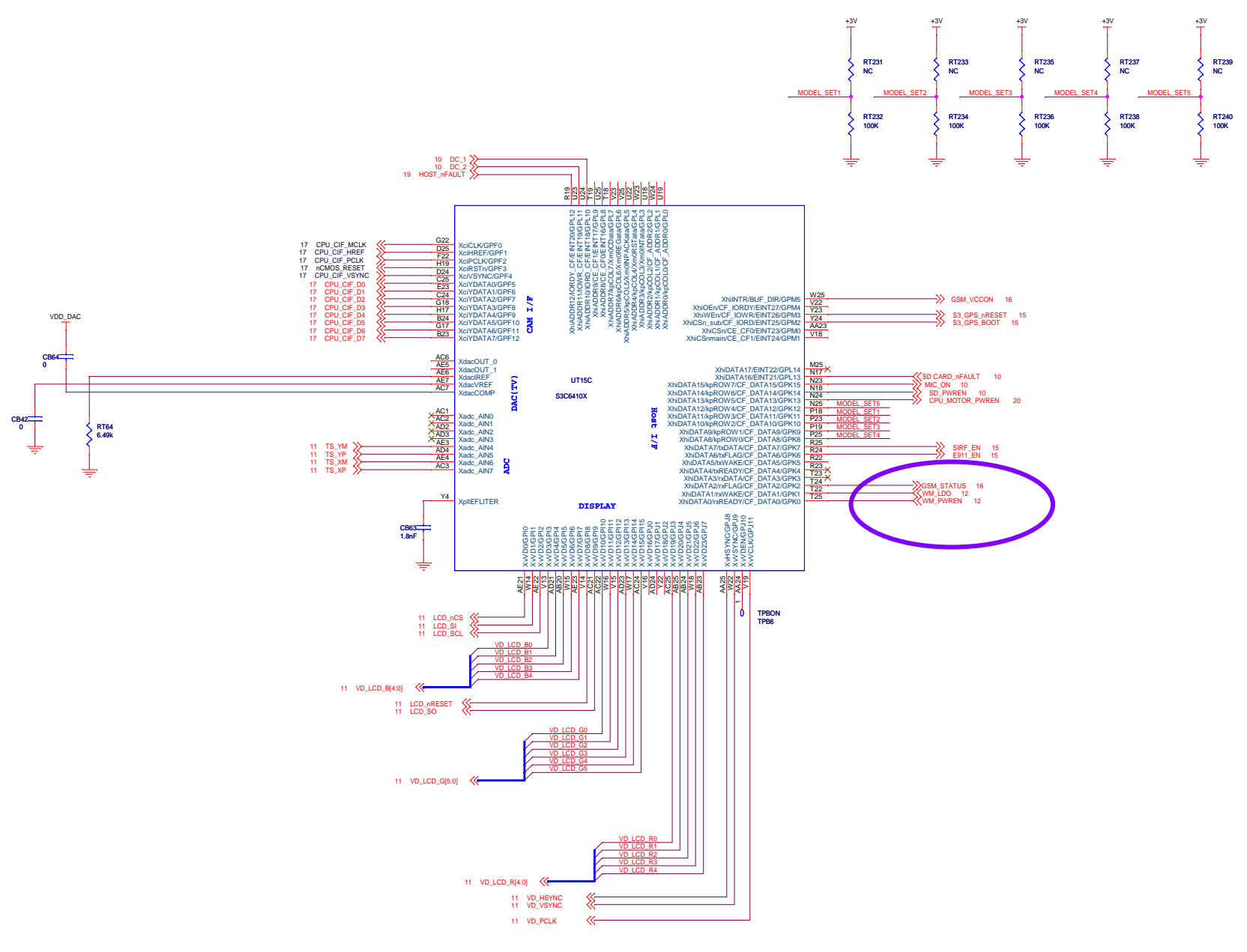
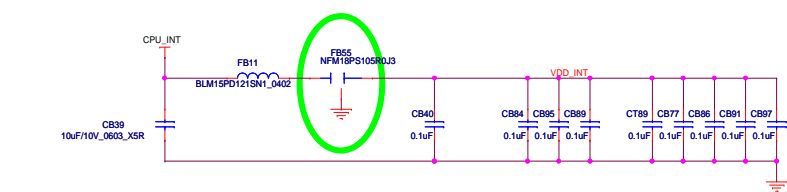
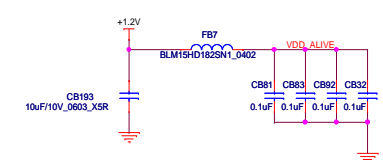
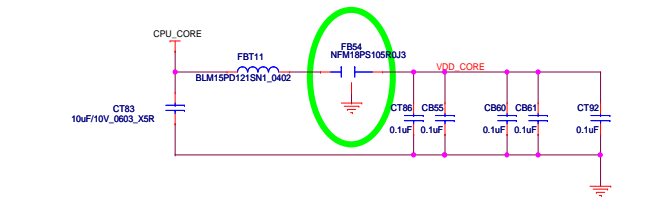
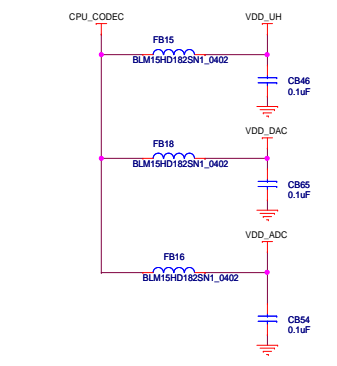
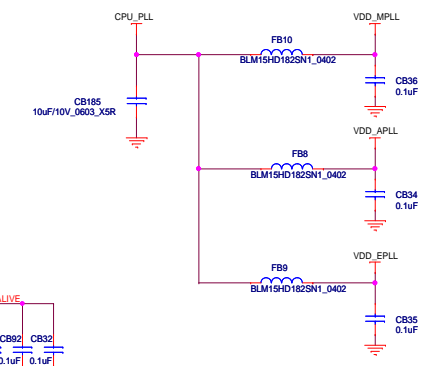
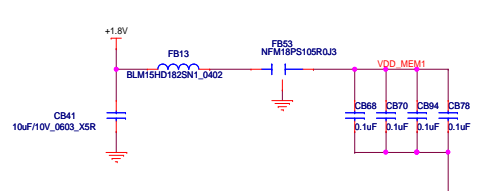
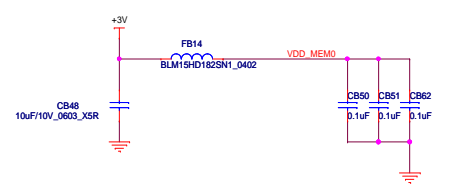
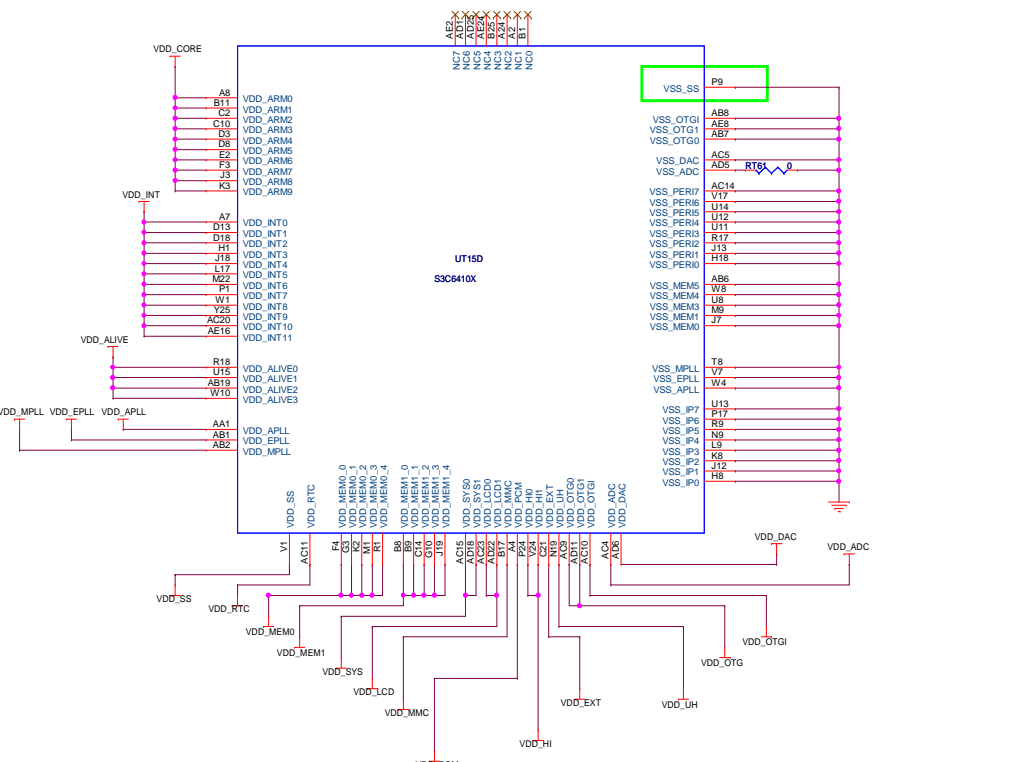
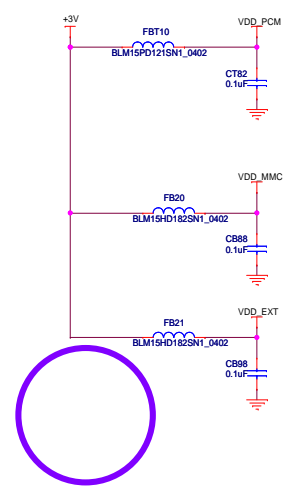
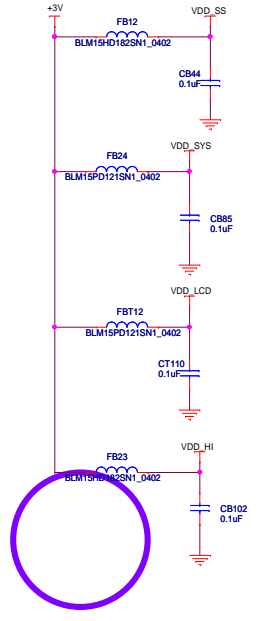
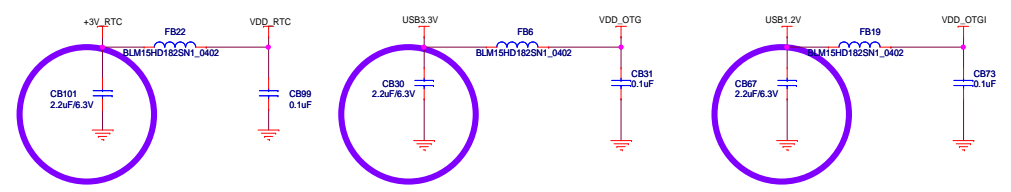


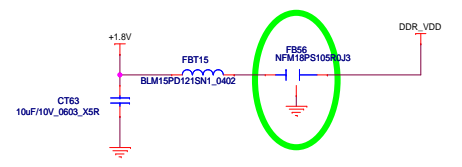
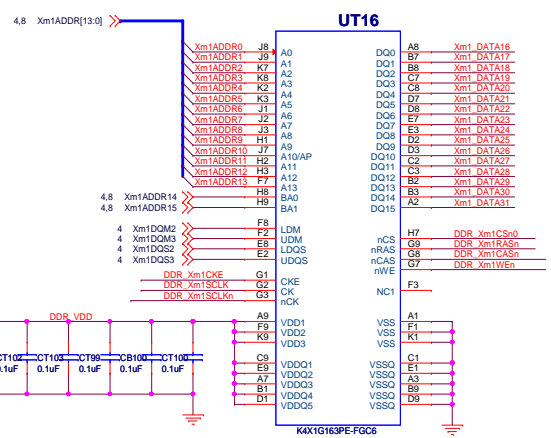
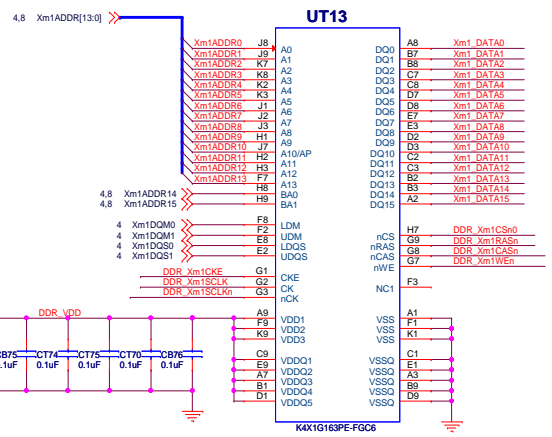
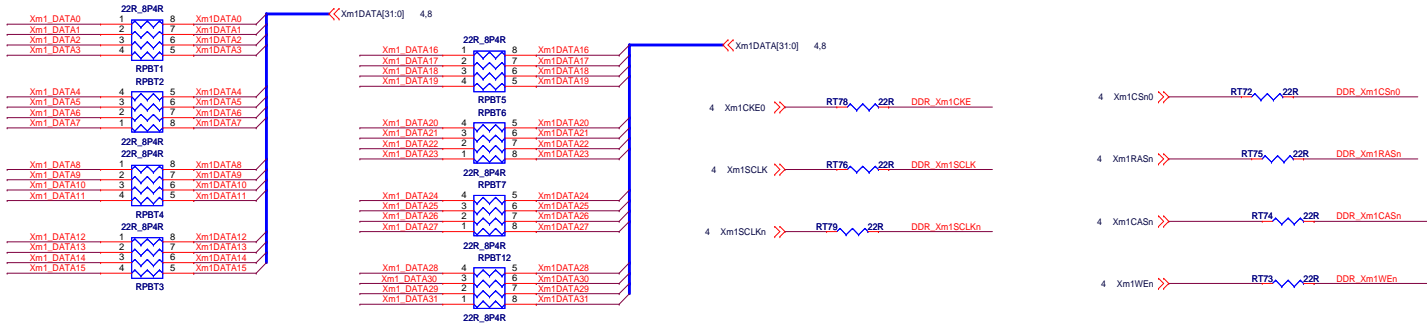
ADD H1-H21

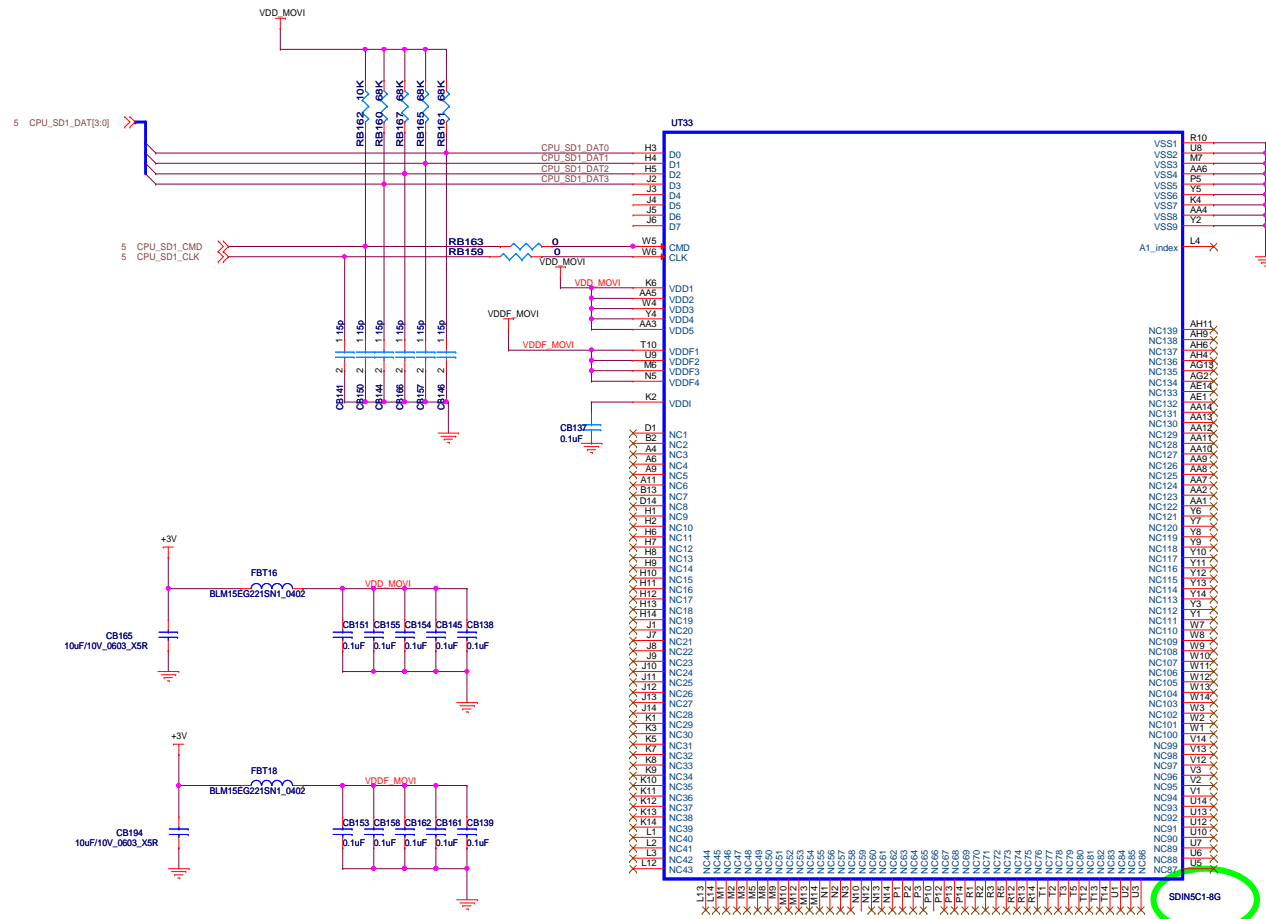


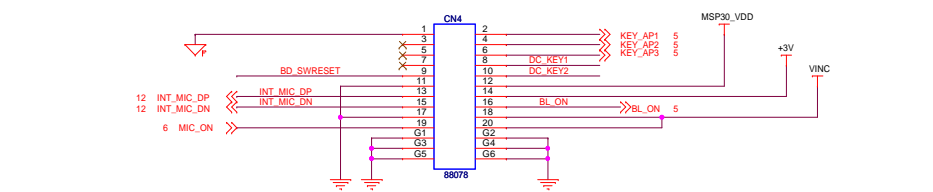
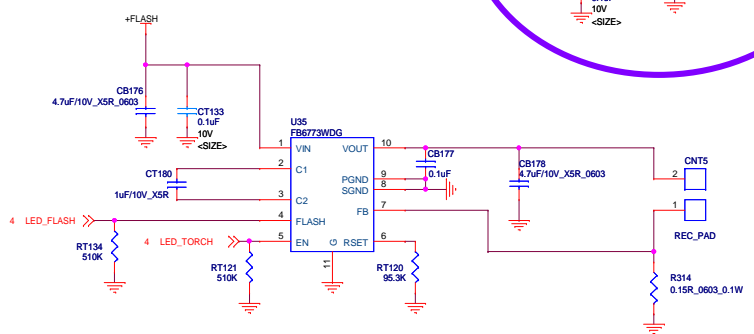
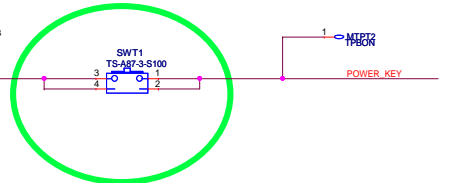
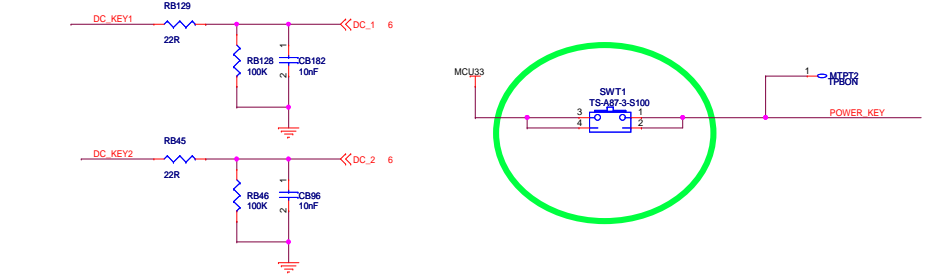
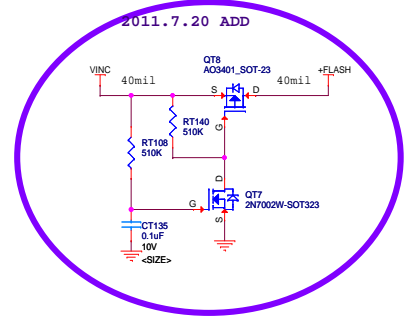
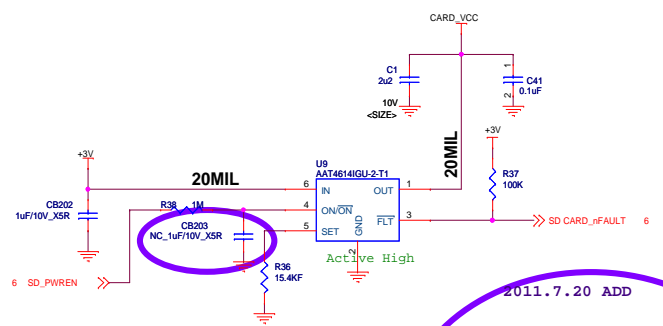
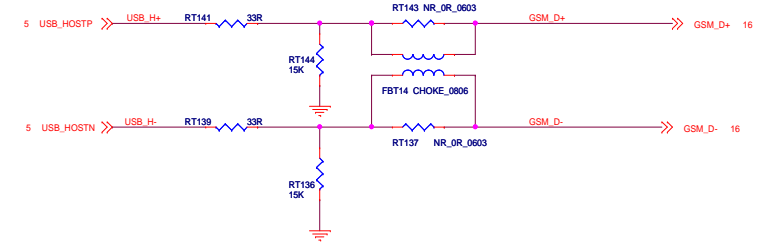
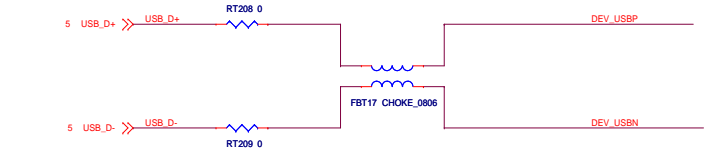
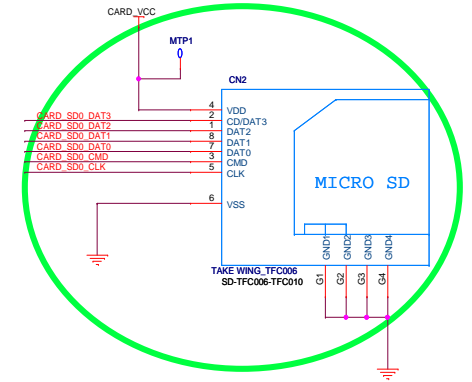
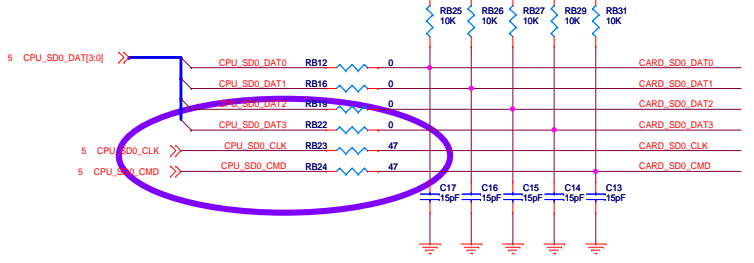
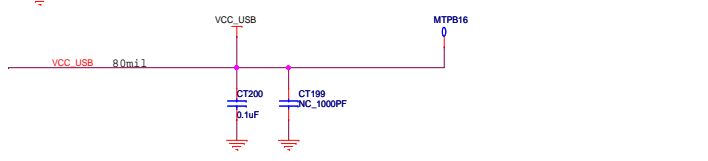


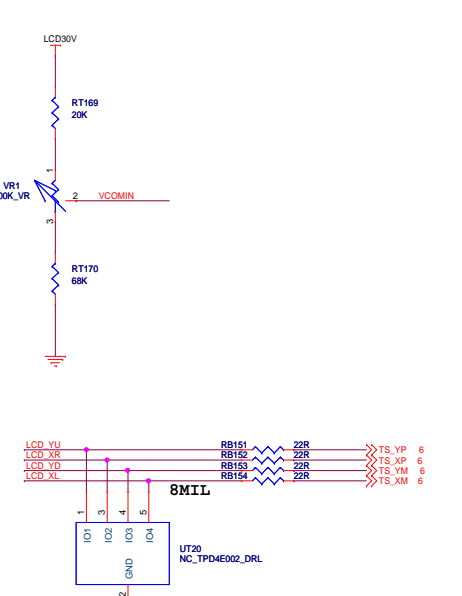
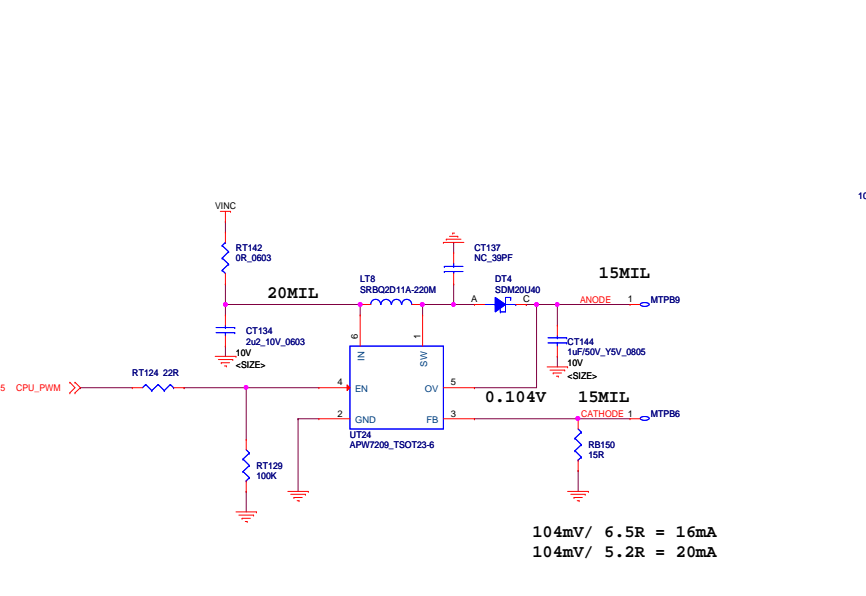
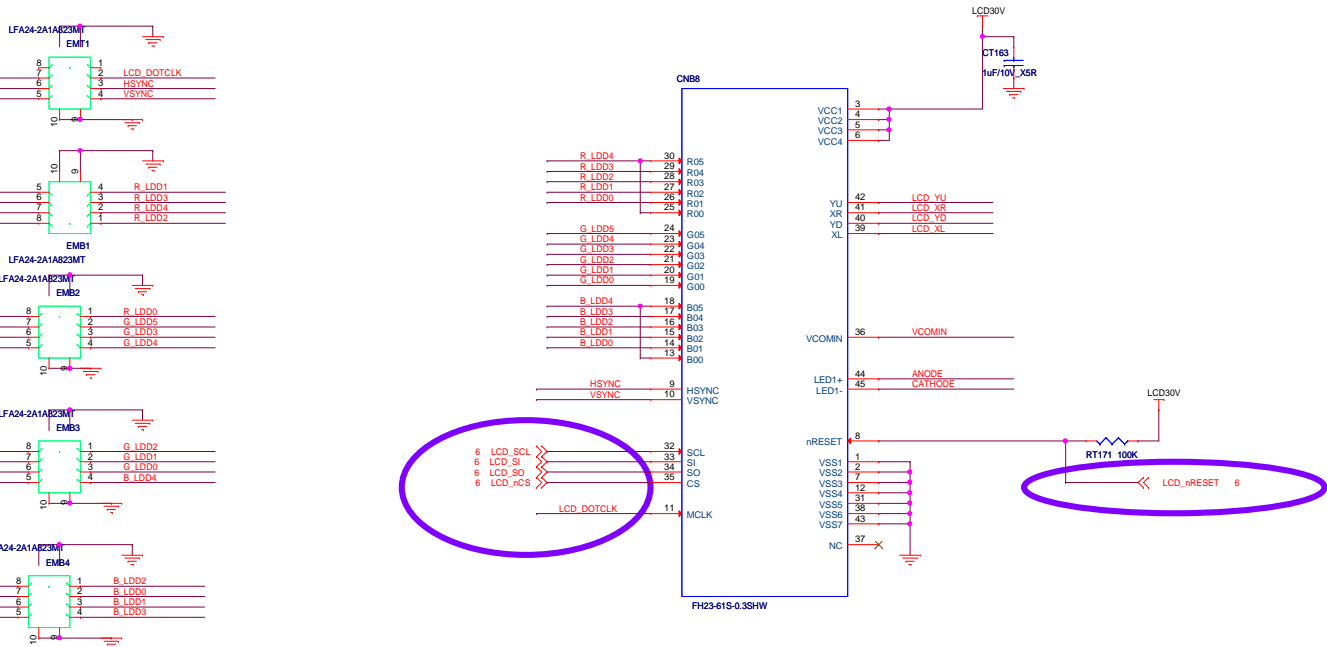
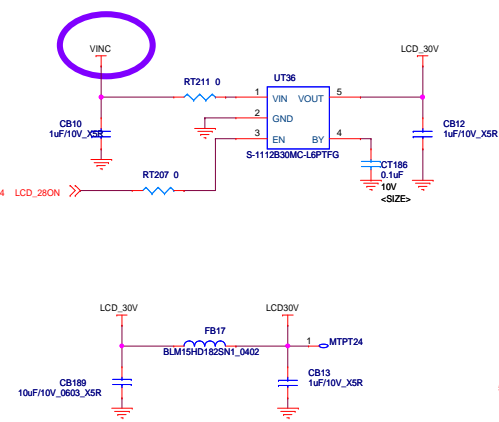
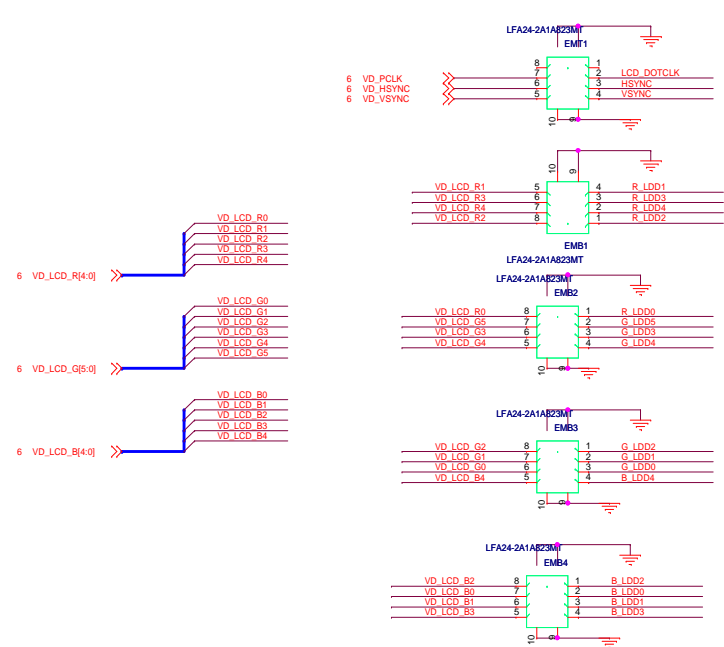




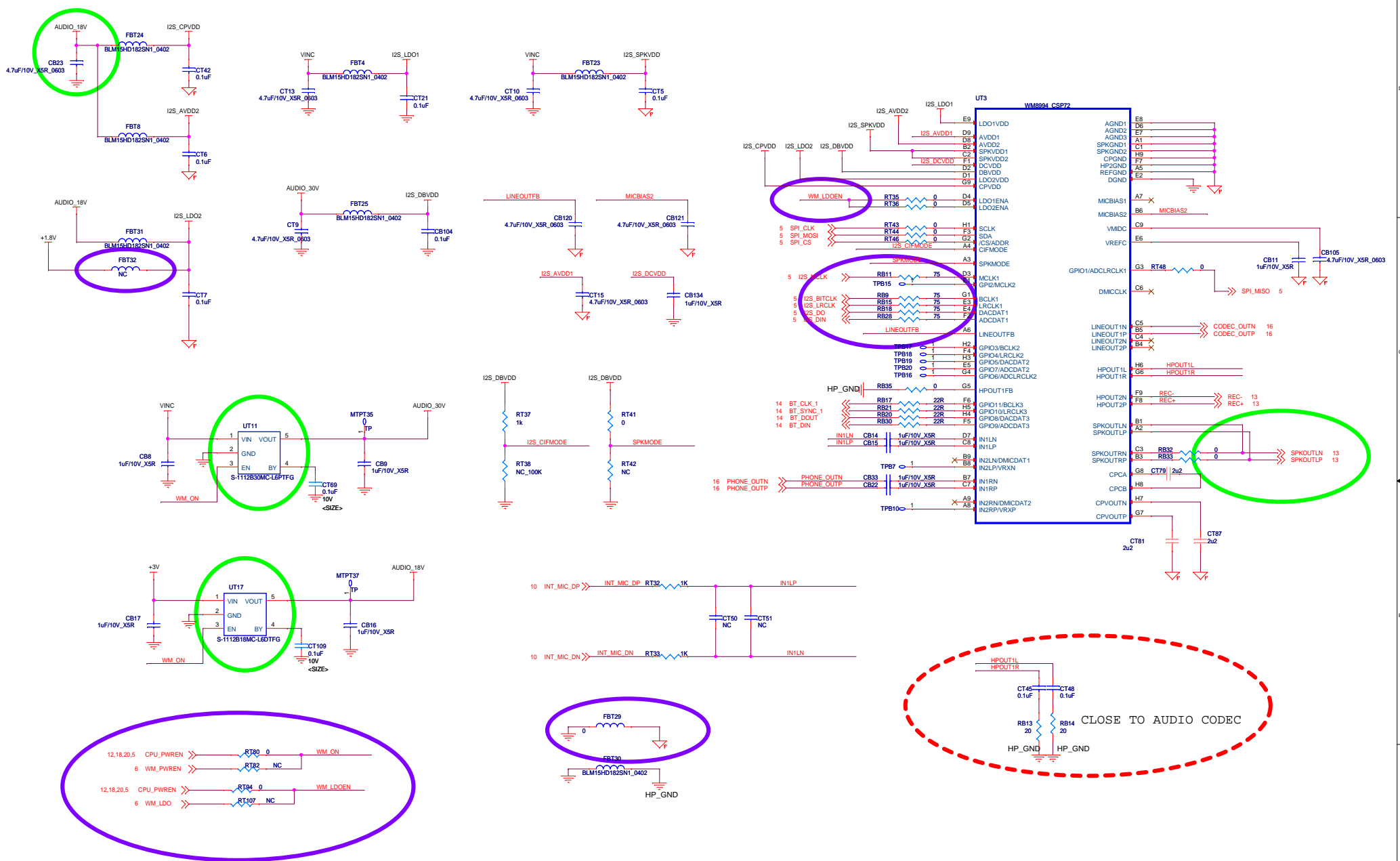


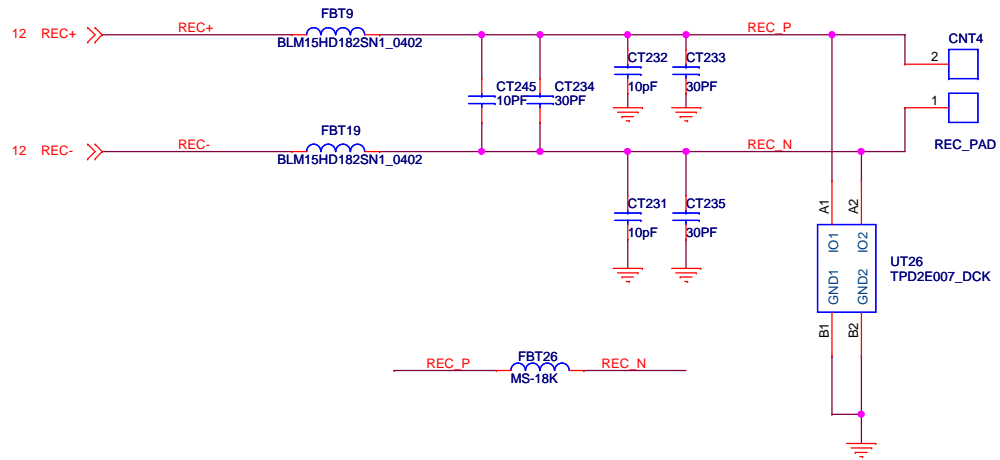
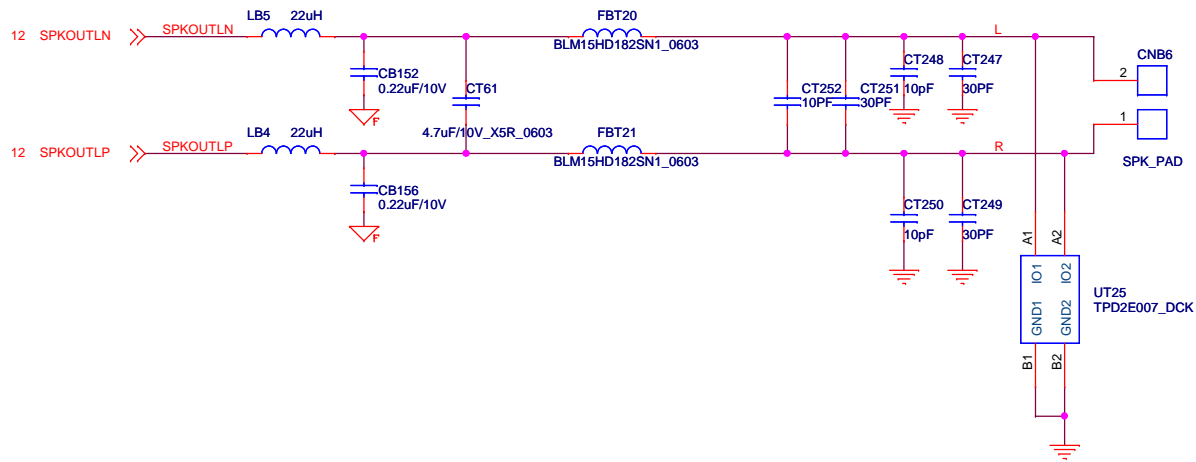




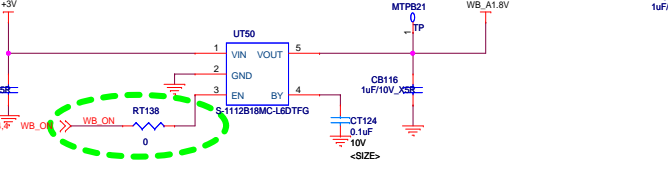
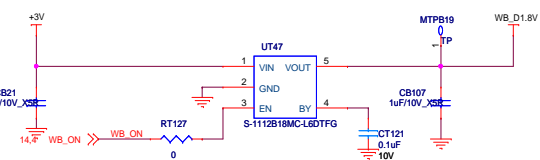
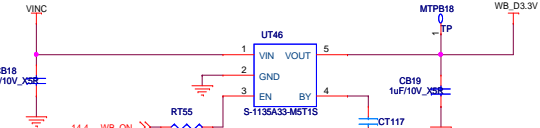
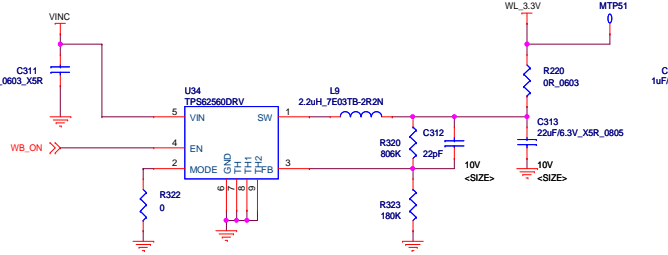
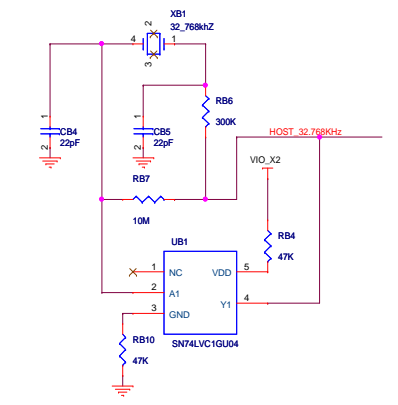
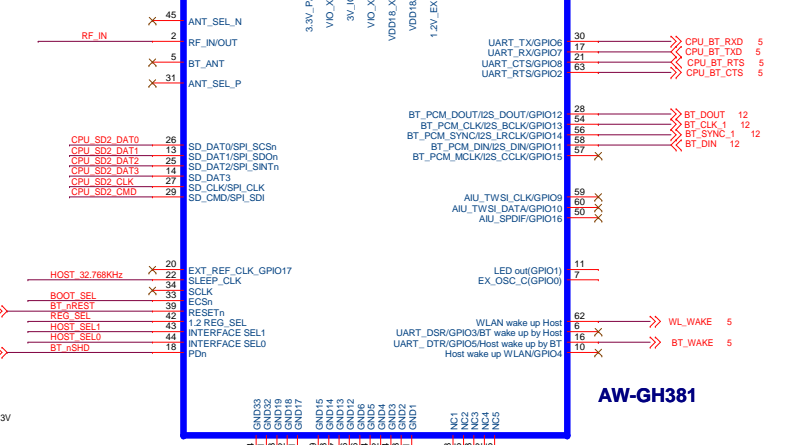
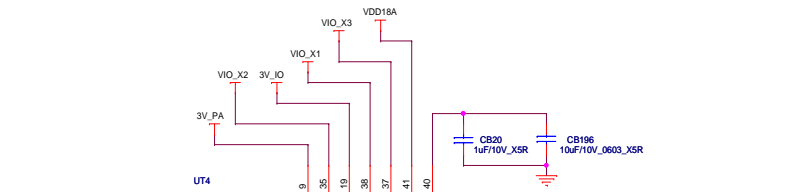
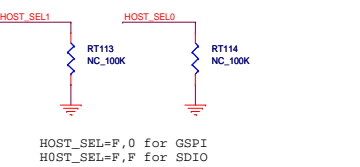
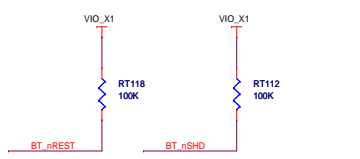
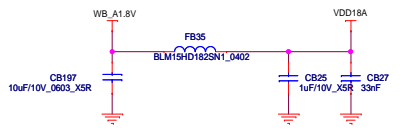
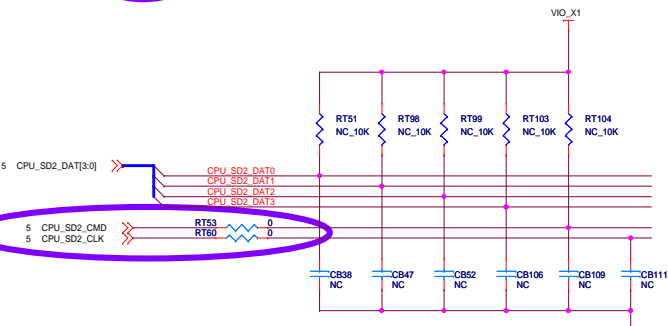
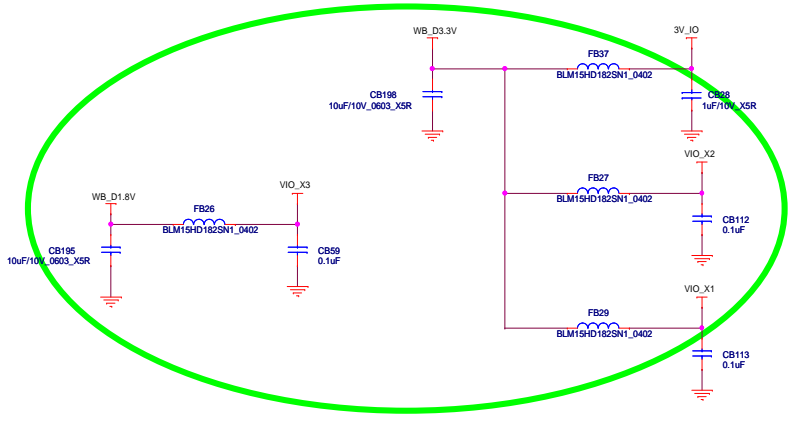
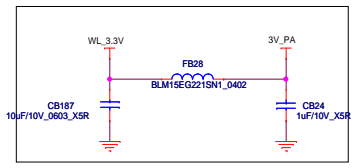
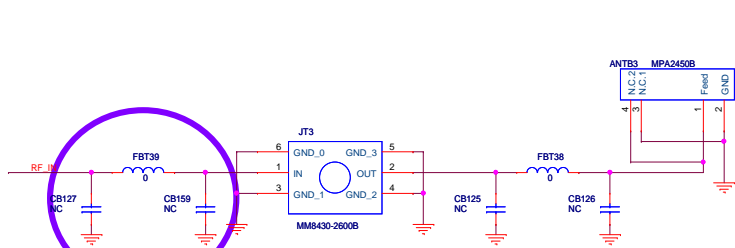


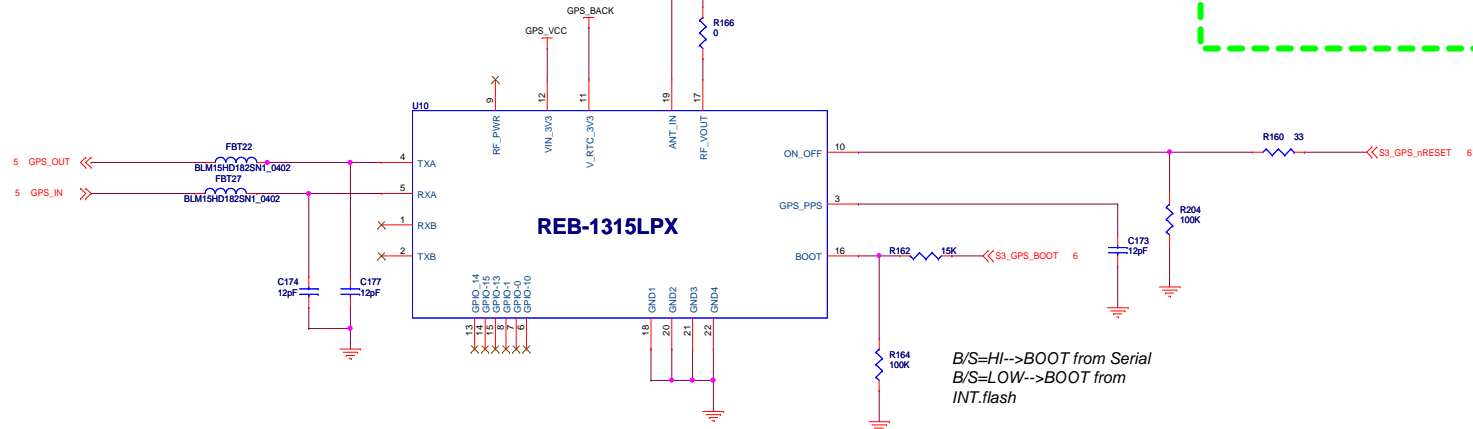
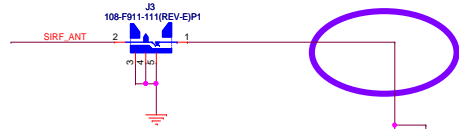
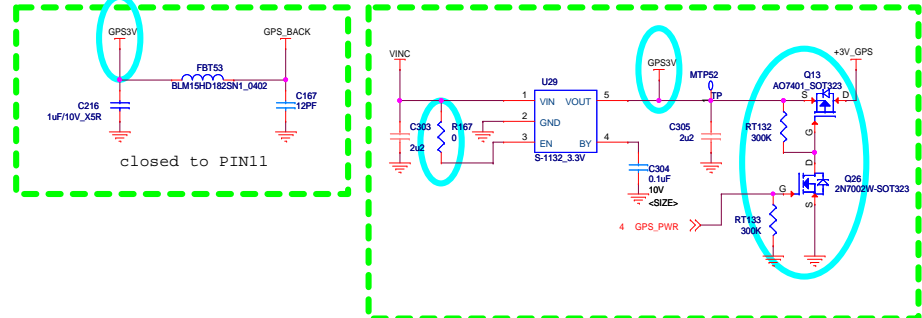
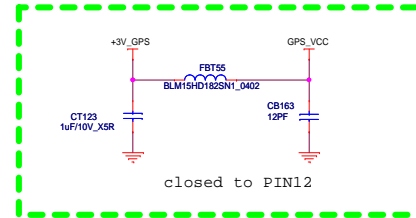
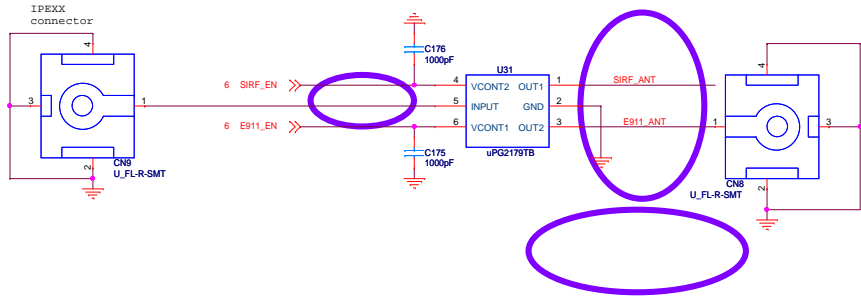
$104\text{mV} / 6.5\text{R} = 16\text{mA}$
 $104\text{mV} / 5.2\text{R} = 20\text{mA}$



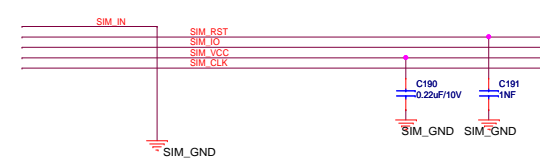
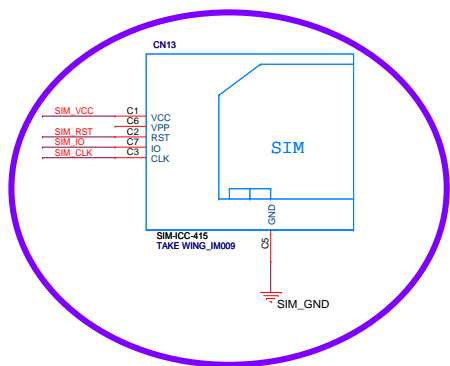
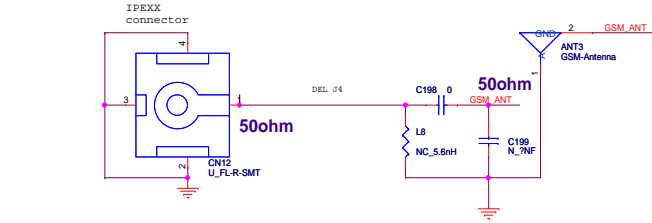
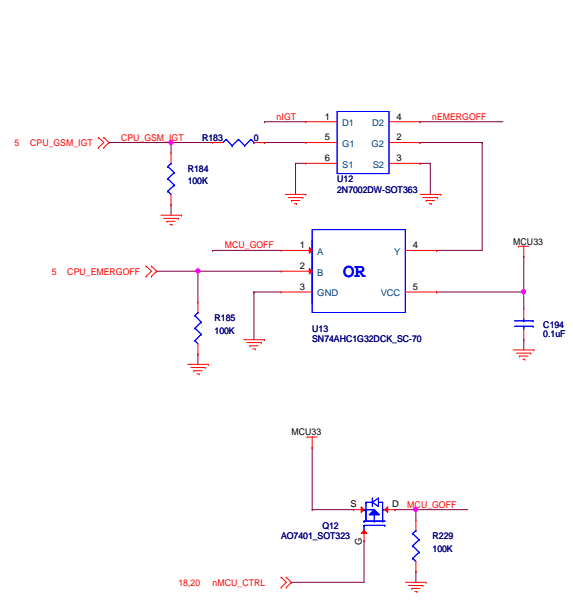
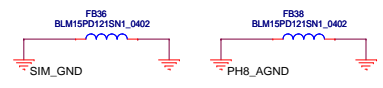
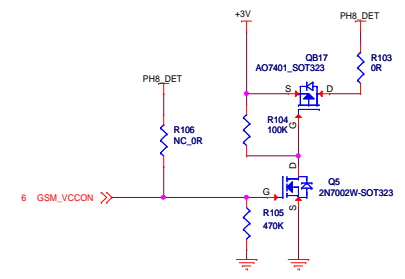
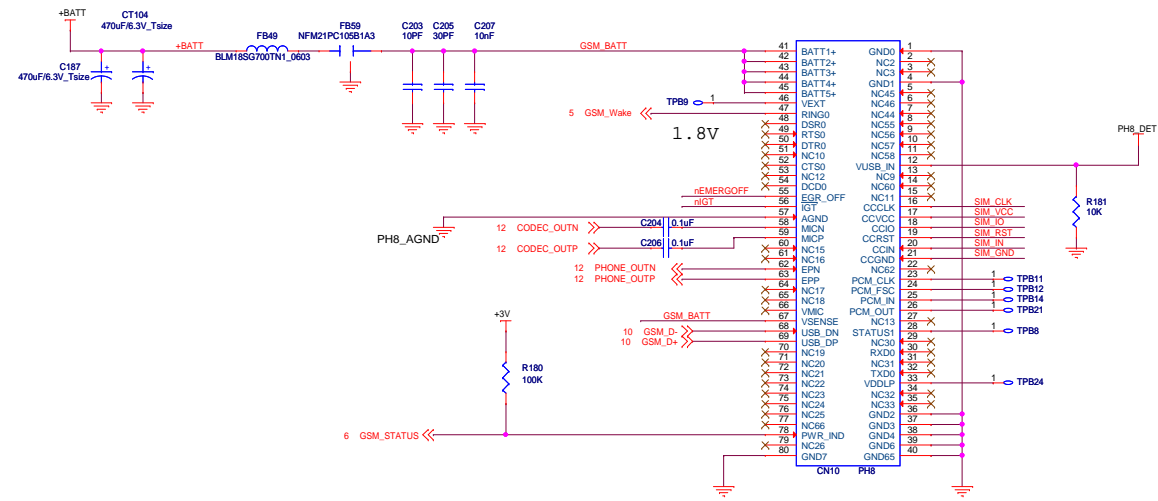


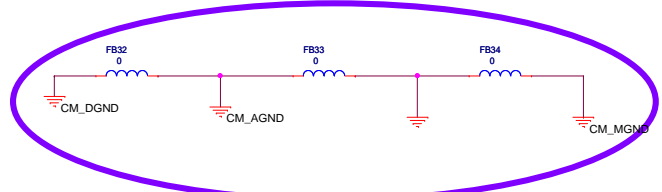
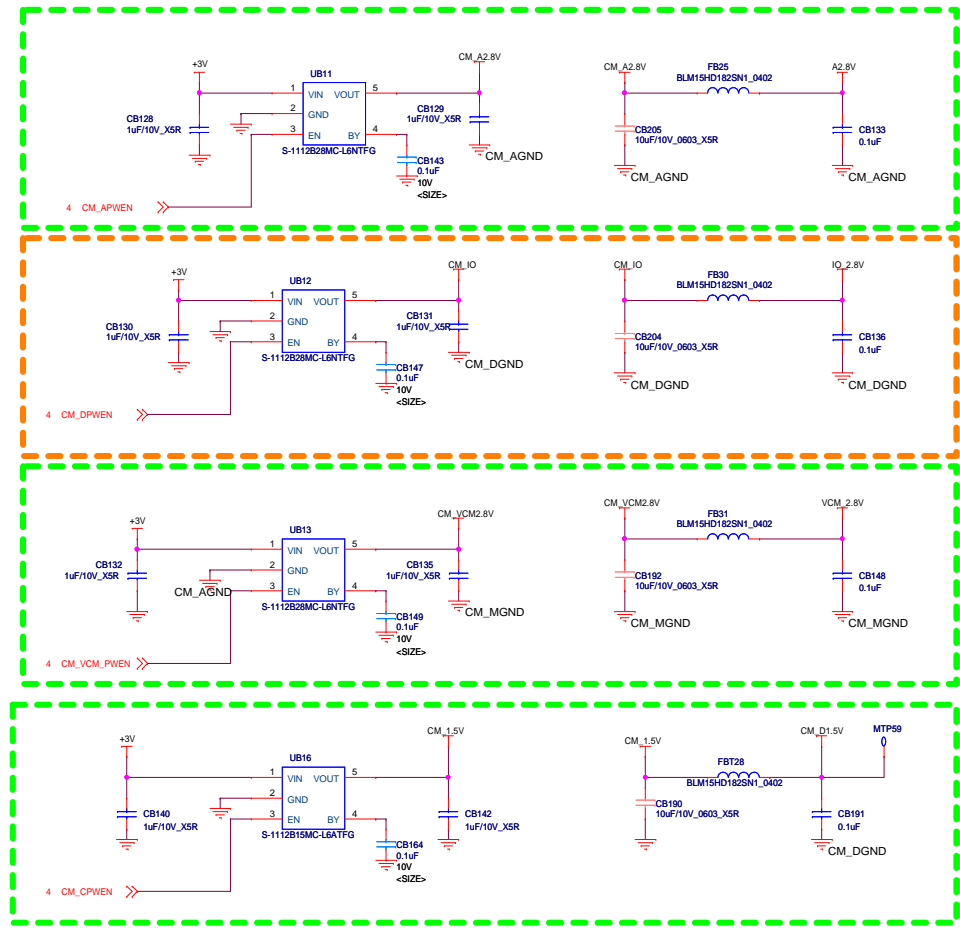
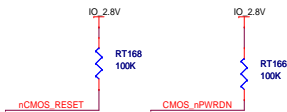
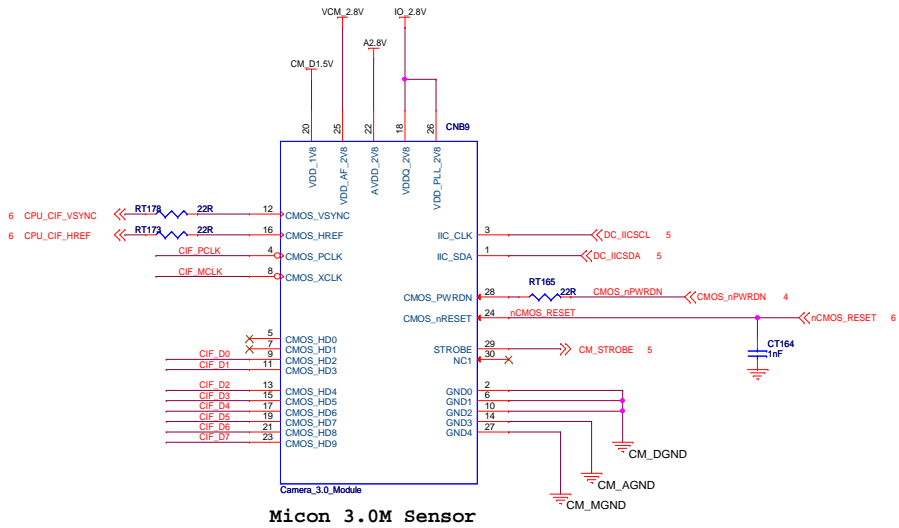
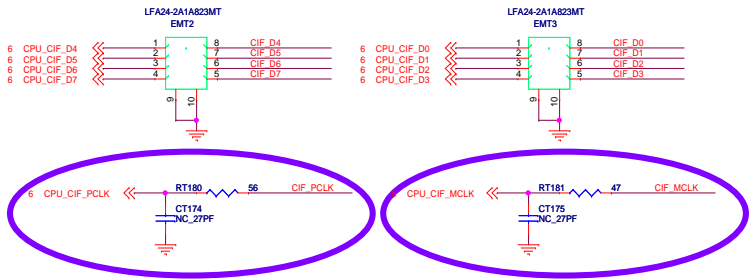
Title			<Title>
Size	Document Number	Rev	
B	<Doc>	A	
Date:	Thursday, October 13, 2011	Sheet	13 of 20



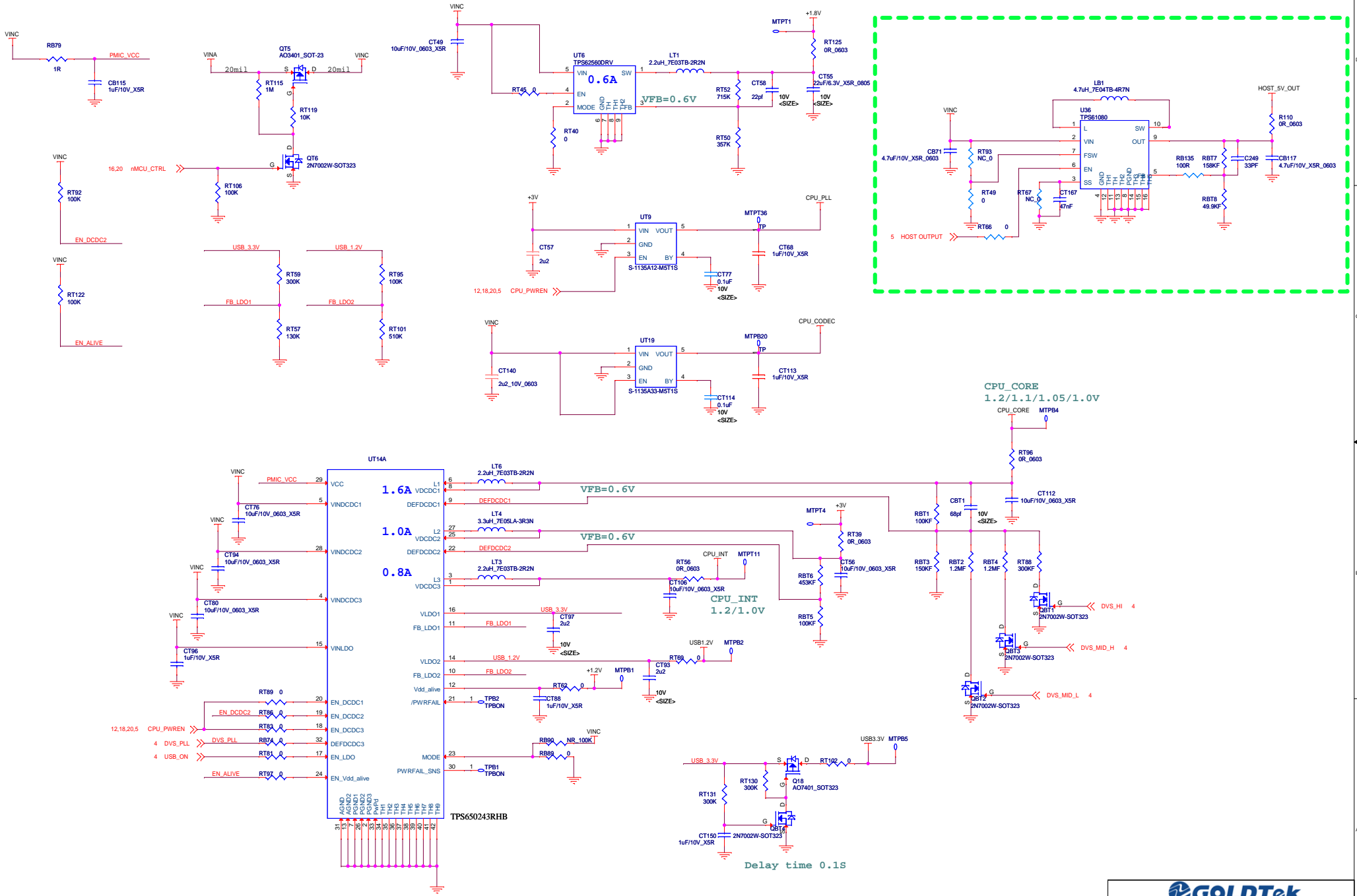


Title <Title>		
Size C	Document Number <Doc>	Rev A
Date: Thursday, October 13, 2011	Sheet 15 of 20	





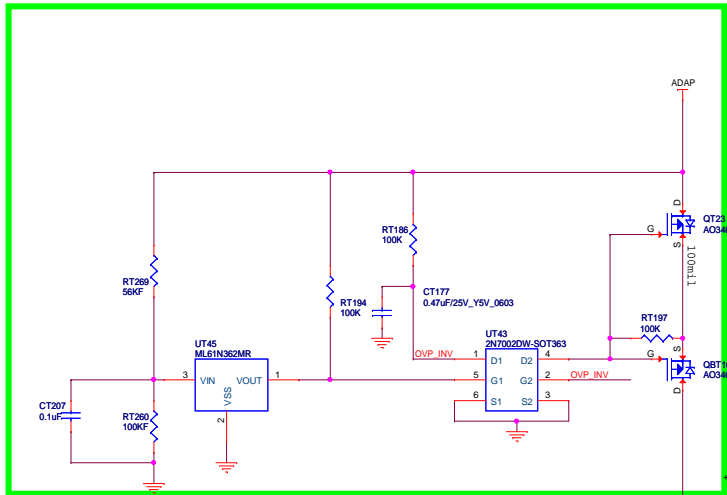
Title		<Title>
Size	Document Number	Rev
C	<Doc>	A
Date:	Thursday, October 13, 2011	Sheet 17 of 20



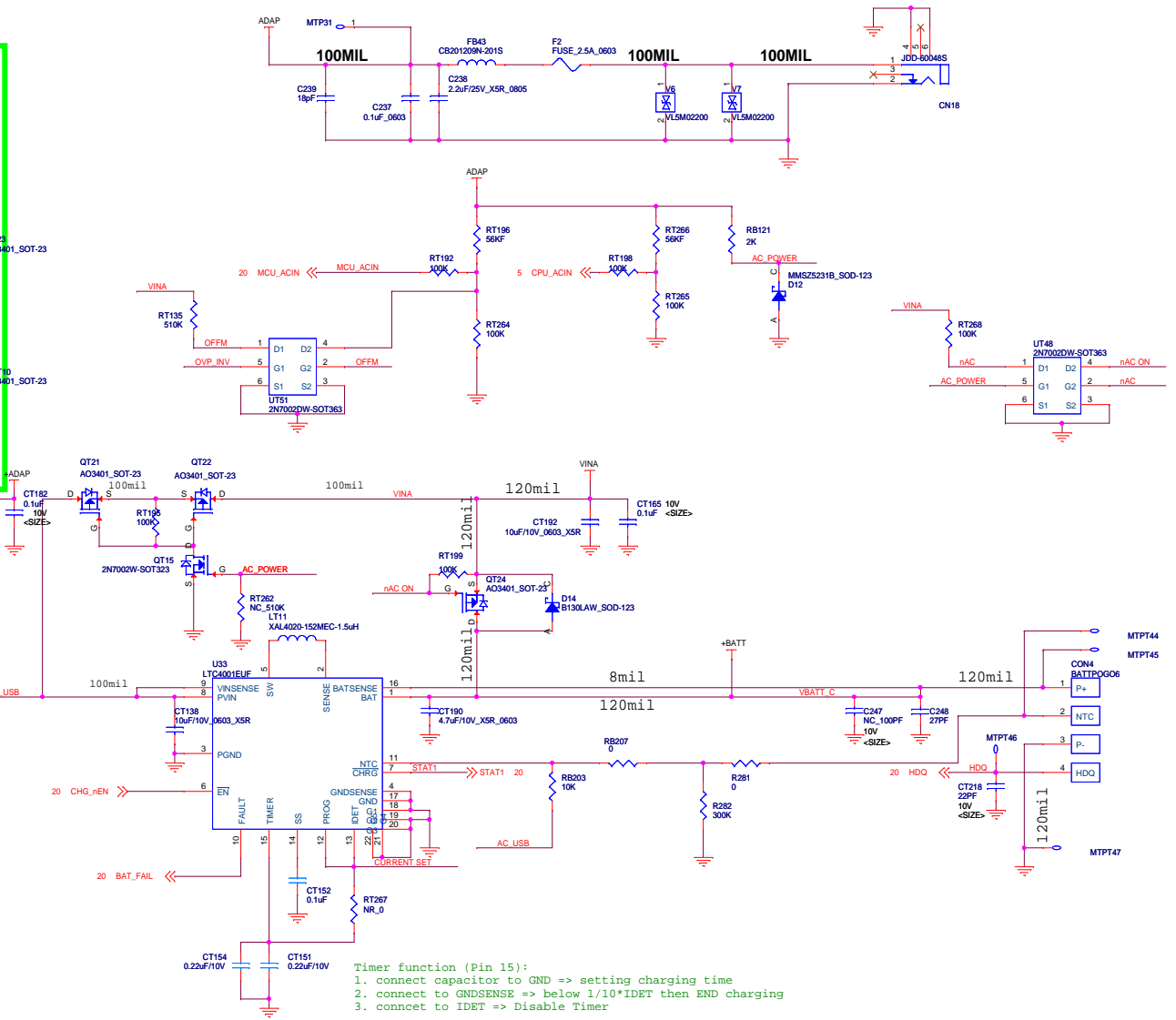
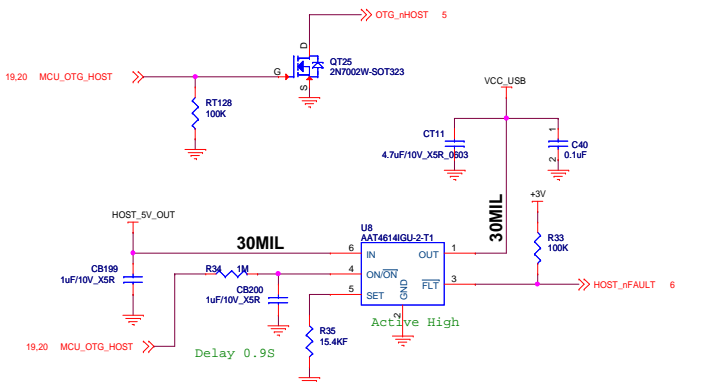
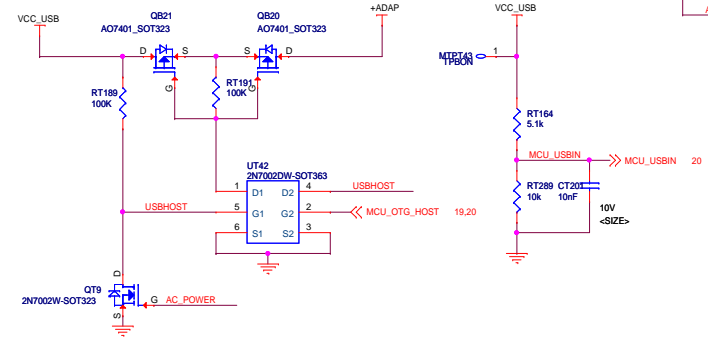
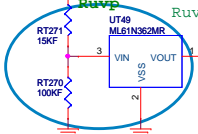
Delay time 0.1S



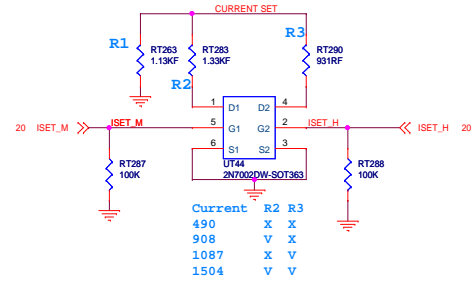
Title		<Title>
Size	Document Number	Rev
C	<Doc>	A
Date:	Thursday, October 13, 2011	Sheet 18 of 20



Rovp: setting overvoltage
 Ruvp: setting undervoltage
 Rovp=56K => 6.4V~ pmos off
 Rovp=39K => 5.6V~ pmos off
 Ruvp=15K => ~4.2V pmos off



Timer function (Pin 15):
 1. connect capacitor to GND => setting charging time
 2. connect to GNDSENSE => below 1/10*IDET then END charging
 3. connect to IDET => Disable Timer



Current	R2	R3
490	X	X
908	V	X
1087	X	V
1504	V	V



