



General description	<p>The TD540 10" Touch Display is the premium aftermarket or secondary display solution for the ultimate user experience in grade control applications. With its specialised combination of anti-glare, powerful backlighting and advanced optical bonding techniques the display combines at-a-glance sunlight readability with an easy to learn discoverable multi-touch interface.</p> <p>Built on top of a powerful 3D graphics engine and processing platform the Android operating system means you can extend the display with additional applications that your business needs without having to upgrade your hardware or add an additional display.</p>
Key Features & Benefits	<ul style="list-style-type: none"> • Large 10.1" sunlight readable optically bonded LCD with capacitive multi-touch interaction • Android 11 for easy software extensibility • Powerful octa core processor platform with dedicated graphics processor • Secure platform for portability of grade control option keys • Optional integrated Bluetooth and Wi-Fi for wireless connectivity • 10MBps and 100MBps wired Ethernet • Quick release RAM mounting for daily theft protection removal • Panel mounting option for factory integration • Front facing USB for easy FW upgrade and synchronisation of design and productivity data • Rugged design for construction, paving and mining machine environment
Platform:	NXP iMX8 Qmax 1.6GHz Octa core Max CPU with GPU, 8GB RAM and 32GB non-volatile Flash memory
OS:	Android 11
I/O:	<ul style="list-style-type: none"> (1) - Ethernet 10MBps (4-wire) (1) - Ethernet 100MBps (2-wire) (1) - Front-facing USB 3.0 Type A Host port (1) - 2.4 GHz and 5GHz WLAN 802.11b/g/n/ac (optional) (1) - Bluetooth 5.0 LE and DLE (optional) (1) - NFC (2) - Integrated Speakers (85db @ 1m) (1) - Power Button (2) - Brightness + / - Buttons
Display Specifications	<ul style="list-style-type: none"> Resolution: 1280 x 800 Contrast Ratio; 800 Backlight: 900 cd/m2 Treatments: Anti-glare, anti-fingerprint, optical bonding Viewing angle: +/-85deg Touch panel: P-cap multi-touch with gloved hand support and rain false touch rejection Glass Hardness: 7H

Physical Characteristics

Size:	
Length:	293 mm (11.54 in)
Width:	185 mm (7.28 in)
Depth:	50 mm (1.97 in)
Weight:	2.1kg (4.63 lbs)

Housing:	Cast aluminium and Plastic, with tactile hand hold features and integrated drop bumpers
----------	---

Environmental Characteristics

Temperature	
Operating:	-20°C to +70°C (-4°F to +158°F)
Storage:	-40 °C to +85 °C (-40°F to +185°F)
Humidity:	90% Relative Humidity
Sealing:	IP66 for dust, rain and pressure wash
Vibration:	4.4 G-rms for construction machine cab environments
Drop Resistance:	1.0 m on concrete

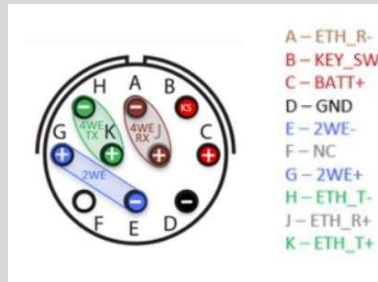
Electrical Specifications

Input Voltage:	9 Vdc to 32 Vdc unconditioned
Supply Power:	18 W (typical)
Reverse Voltage Protected:	Yes
Overvoltage Protected:	Yes
Load Dump Protected:	Yes
Short Circuit Protected:	Yes

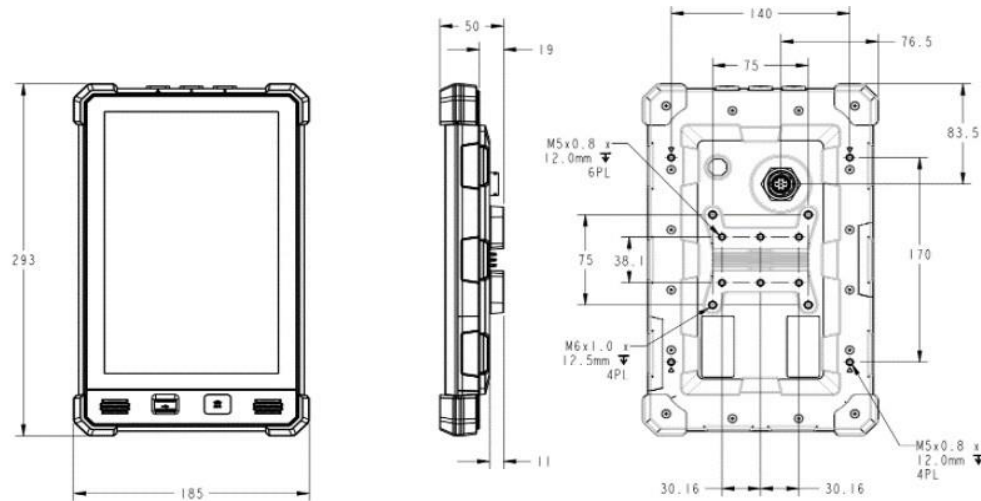
Regulatory

Radio and Electromagnetic	CE, RED, FCC, IC, RCM, Japan, ICES-3
Environmental	WEEE, REACH, ROHS, and China RoHS
	Compliant with EMC Directive 2014/30/EU and RED 2014/53/EU
	Note: This device complies with Part 15 of the FCC Rules and Industry Canada license-exempt RSS standard(s). Operation is subject to the following two conditions: (1) This device may not cause harmful interference, and (2) this device must accept any interference received, including interference that may cause undesired operation. This product complies with FCC OET Bulletin 65 radiation exposure limits set forth for an uncontrolled environment.

Primary I/O Connector Styles



Dimensions (mm)



Legal Notices

FCC Compliance Statement

This device complies with Part 15 of the FCC Rules. Operation is subject to the following two conditions: (1) This device may not cause harmful interference, and (2) this device must accept any interference received, including interference that may cause undesired operation.

This equipment has been tested and found to comply with the limits for a Class B digital device, pursuant to Part 15 of the FCC Rules. These limits are designed to provide reasonable protection against harmful interference in a residential installation. This equipment generates, uses and can radiate radio frequency energy and, if not installed and used in accordance with the instructions, may cause harmful interference to radio communications. However, there is no guarantee that interference will not occur in a particular installation. If this equipment does cause harmful interference to radio or television reception, which can be determined by turning the equipment off and on, the user is encouraged to try to correct the interference by one of the following measures:

- Reorient or relocate the receiving antenna.
- Increase the separation between the equipment and receiver.
- Connect the equipment into an outlet on a circuit different from that to which the receiver is connected.
- Consult the dealer or an experienced radio/TV technician for help.

Any changes or modifications not expressly approved by the party responsible for compliance could void the user's authority to operate this equipment.

Radiation Exposure Statement

This equipment complies with FCC radiation exposure limits set forth for an uncontrolled environment. This equipment should be installed and operated with minimum distance 25cm between the radiator & your body.

Canada Statement

This device complies with ICSED's licence-exempt RSS standard(s). Operation is subject to the following two conditions: (1) This device may not cause harmful interference, and (2) this device must accept any interference received, including interference that may cause undesired operation.

Le présent appareil est conforme aux CNR d'ISED applicables aux appareils radio exempts de licence. L'exploitation est autorisée aux deux conditions suivantes : (1) le dispositif ne doit pas produire de brouillage préjudiciable, et (2) ce dispositif doit accepter tout brouillage reçu, y compris un brouillage susceptible de provoquer un fonctionnement indésirable.

Radiation Exposure Statement

This equipment complies with ISED radiation exposure limits set forth for an uncontrolled environment. This equipment should be installed and operated with greater than 25cm between the radiator & your body.

Déclaration d'exposition aux radiations

Cet équipement est conforme aux limites d'exposition aux rayonnements ISED établies pour un environnement non contrôlé. Cet équipement doit être installé et utilisé à plus de 25cm entre le radiateur et votre corps.

Specifications subject to change without notice.

TD540 10" Touch Display Datasheet (Preliminary) - 18May2022