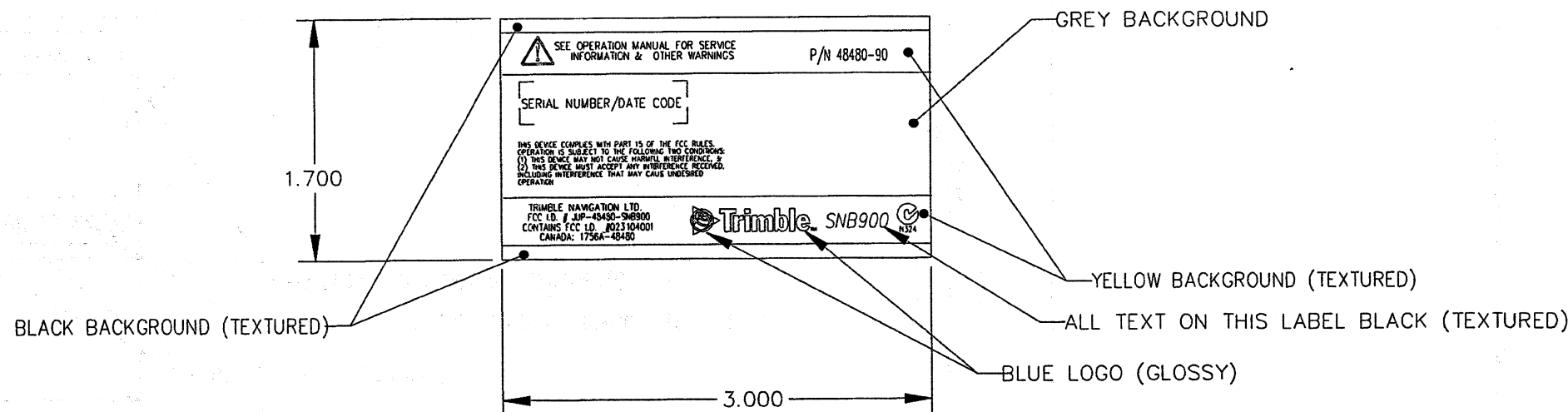
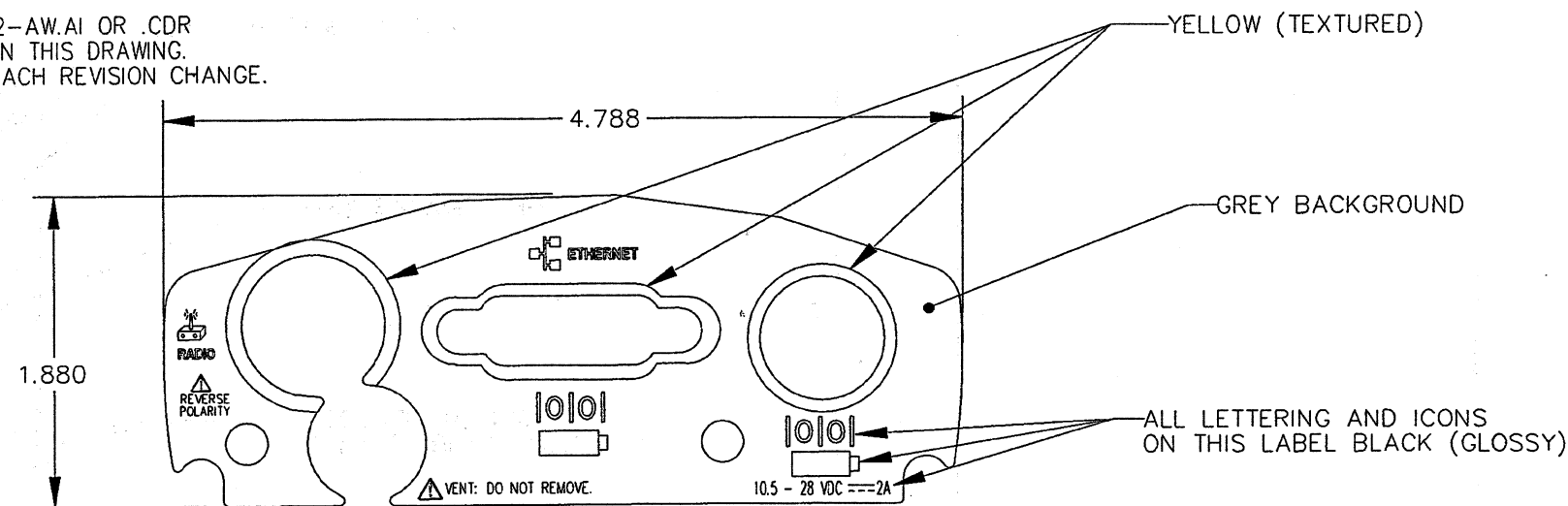


DATE 12/9/03	DWG NO. 48573-02	SHEET 1 OF 1	REV 2
-----------------	---------------------	-----------------	----------

ECN	REV	DESCRIPTION	DATE	APPROVED
	1	PRE-RELEASE	12/9/03	B.COLEMAN
PC005441	2	ADDED CANADA: 1756A-48480 LINE	7/28/04	B.COLEMAN

- NOTES: UNLESS OTHERWISE SPECIFIED
- MATERIAL: .007 UV FINE TEXTURED LEXAN.  
(GLOSSY TEXT & SYMBOLS PER DETAILS)  
ADHESIVE: .005 THICK 3M 468 ACRYLIC PSA.
  - BOTH PARTS TO BE DELIVERED "KISS CUT" ON A SHEET WITH ORIENTATION TO EACH OTHER AS SHOWN.
  - COLORS: PANTONE 5C (COOL GREY), BLACK, PANTONE 294C (BLUE), AND PANTONE 116C (TRIMBLE YELLOW) PER DETAIL.
  - ALL DIMENSIONS ARE CRITICAL AND TO BE INSPECTED.
  - MARK SHEETS WITH TNL PART NUMBER AND REV LEVEL.  
USE TNL DOCUMENT 32701-DP AS REFERENCE.
  - THIS DRAWING TO BE ACCOMPANIED WITH ARTWORK FILE 48573-02-AW.AI OR .CDR  
ARTWORK TAKES PRECEDENCE OVER ALL ICONS AND TEXT SHOWN ON THIS DRAWING.
  - VENDOR TO SUPPLY FINISHED ARTWORK IN ELECTRONIC FORM AT EACH REVISION CHANGE.



MATERIAL SEE NOTES	UNLESS OTHERWISE SPECIFIED DIMENSIONS ARE IN INCHES TOLERANCES ARE: DECIMALS .X ± 0.030 .XX ± 0.020 .XXX ± 0.010	APPROVALS APPROVED BY ENGINEERED BY DRAWN BY CHECKED BY	DATE 12/9/03	 Trimble Navigation Limited Proprietary & Confidential	TITLE LABEL SET, RANGI RADIO
FINISH SEE NOTES	THIRD ANGLE PROJECTION 	TEXT ASME Y14.5 1994	SIZE B		DWG NO. 48573-02
DO NOT SCALE DRAWING				SCALE 1.00	SHEET 1 OF 1

DATE 12/9/03	DWG NO. 48573-02	SHEET 1 OF 1	REV 2
-----------------	---------------------	-----------------	----------