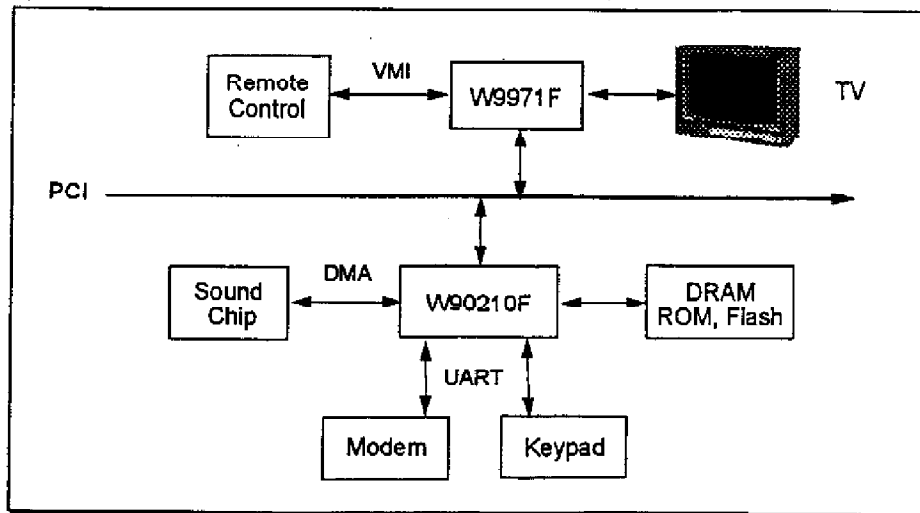
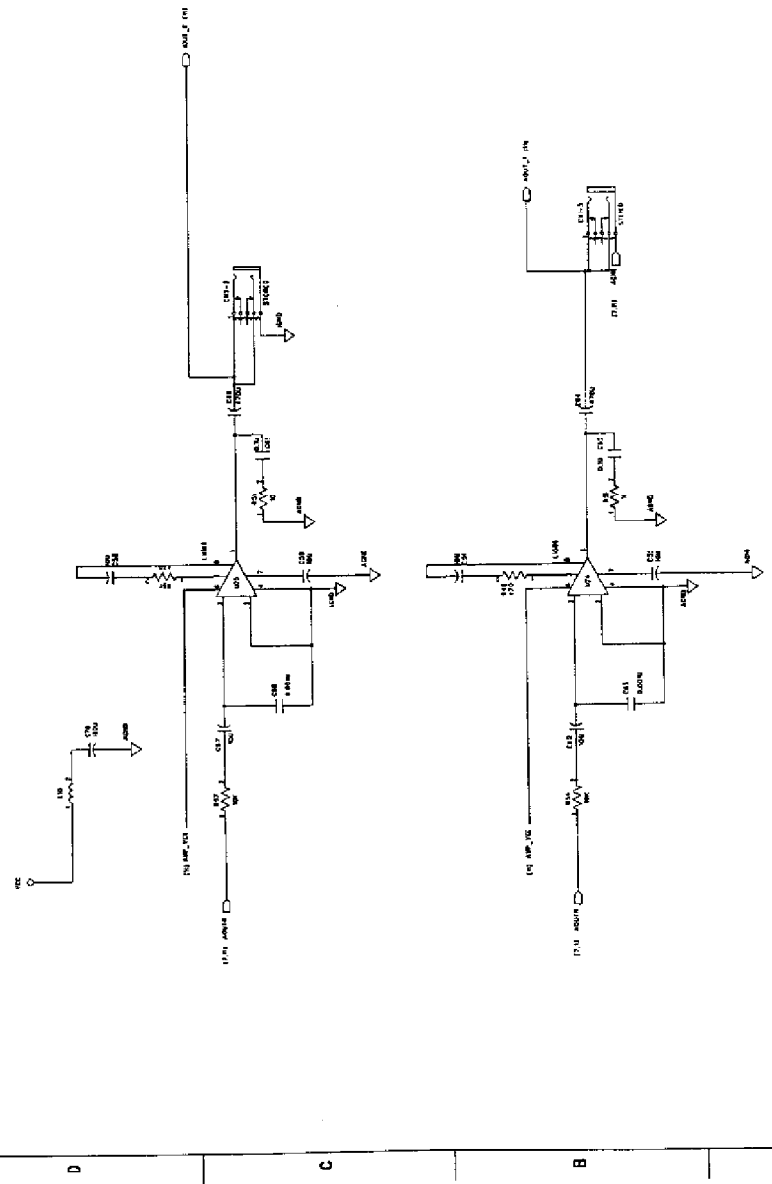


Following is the block diagram of GES TV Surf system configuration

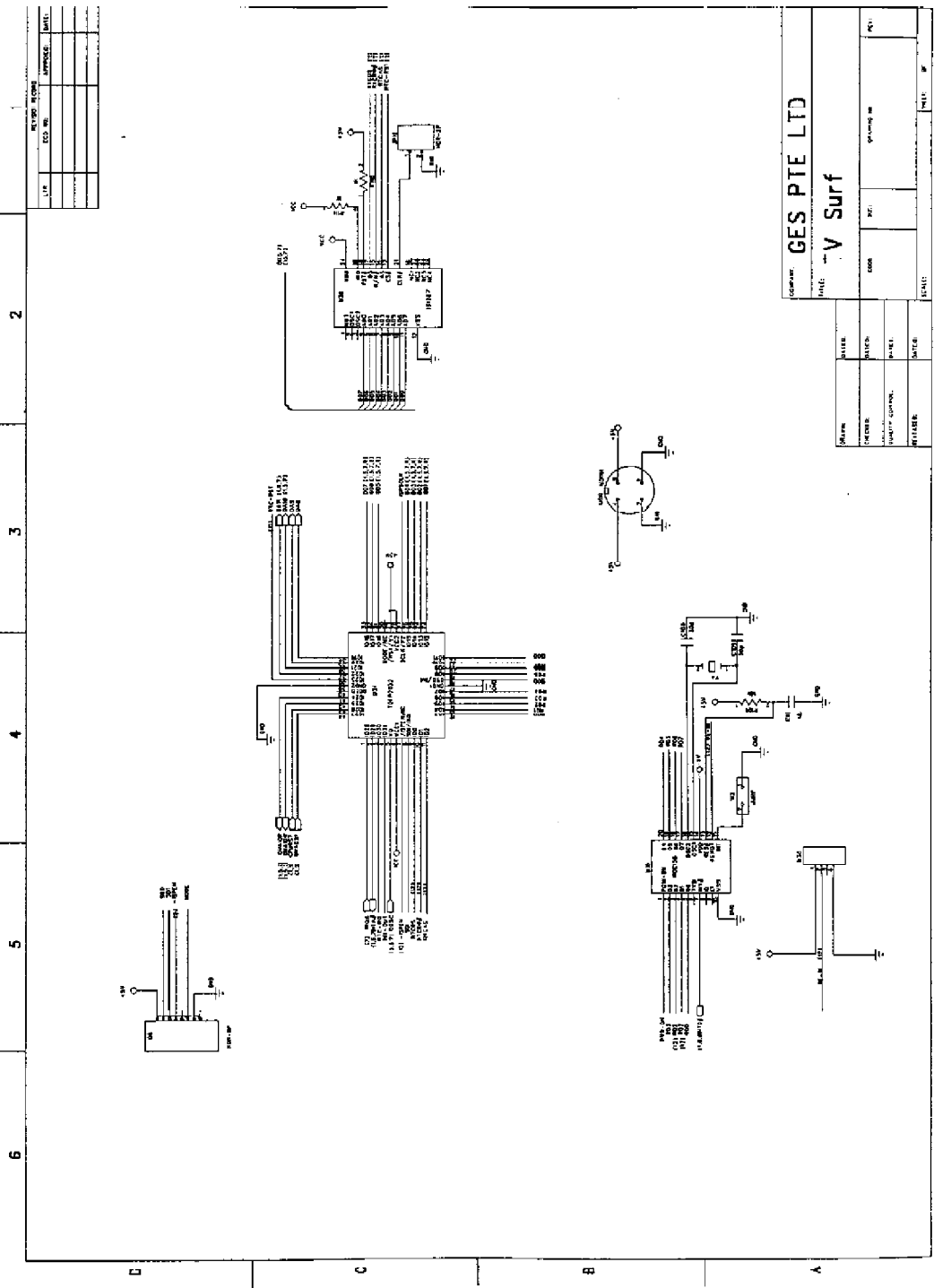
Function Block



1	2	3	4	5	6
DATE	DESIGNER	CHECKER	DATE	DATE	DATE



COMPANY		DATE	
GES PTE LID			
PROJECT		DATE	
TV Surf			
DESIGNER	CHECKER	DATE	DATE



COMPANY		DATE		SCALE	
GES PTE LTD		12/1		1:1	
PROJECT		DRAWN		CHECKED	
TV Surf		G. S. S.		G. S. S.	
MATERIALS		REVISIONS		REVISIONS	
COPPER		DATE		DATE	
REVISION		DATE		DATE	

