

ZEBRA

CHEETAH BASED FLAT PANEL MONITOR CONTROLLER

REFRESH RATE : 70Hz(Max) DCLK : 75MHz(Max)

REV 0.6

08 FEB 1998

ROAD MAP

DESCRIPTION	SHEET NO.
THIS SHEET	1
MICROCONTROLLER INTERFACE	2
CHEETAH - FLAT PANEL MONITOR CONTROLLER	3
VRAM INTERFACE	4
FLAT PANEL INTERFACE	5
ANALOG DIGITAL CONVERTER INTERFACE & GENLOCK PLL	6
VIDEO AMPLIFIER AND DAC FOR DIGITAL CONTROL	7
POWER SUPPLY AND DECOUPLING CAPACITORS	8

REVISION HISTORY

REV.	DESCRIPTION	BY	LAST UPDATE
0.0	PRELIMINARY DESIGN DERIVED FROM CHEETAH r2.2	KARANTH	08 DEC '97
0.1	CHANGES FROM INTERNAL ENGG REVIEW	KARANTH	09 DEC '97
0.2	CHANGED MEMORY DECODE LOGIC DELETED R14	KARANTH	10 DEC '97
0.3	GATE SWAP ON U15,U17 & U18	KARANTH	11 DEC '97
0.4	CHANGED C125,C140 CONNECTIONS DELETED L4, RENAMED X1,X2	KARANTH	11 DEC '97
0.5	ADDED MOUNTING HOLES CHANGED BKLT POWER TO +12VIN FROM +12V	KARANTH	18 DEC '97
0.6	MODIFIED LM1203 POWER SUPPLY CONNECTIONS ADDED COMPENSATION CAPS FOR U27(MAX4129)	KARANTH	08 FEB '98

SAGE CONFIDENTIAL



Sage Inc.

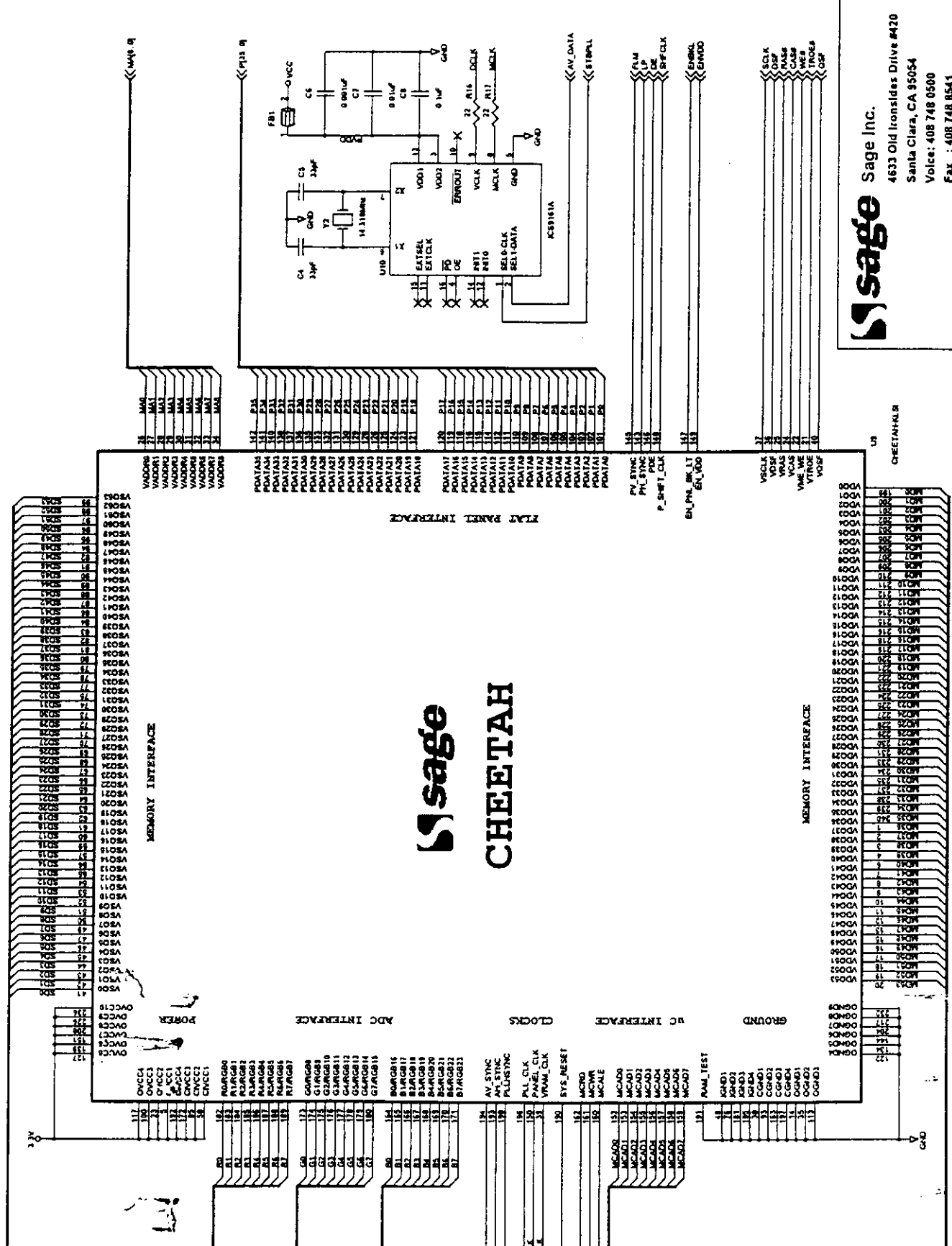
4633 Old Ironsides Drive #420
Santa Clara, CA 95054
Voice: 408 748 0500
Fax : 408 748 6542

Title: ZEBRA	
Size:	Document Number: ZEBRA.001
Date: 08 FEB 1998	Rev: 0.6

sage CHEETAH

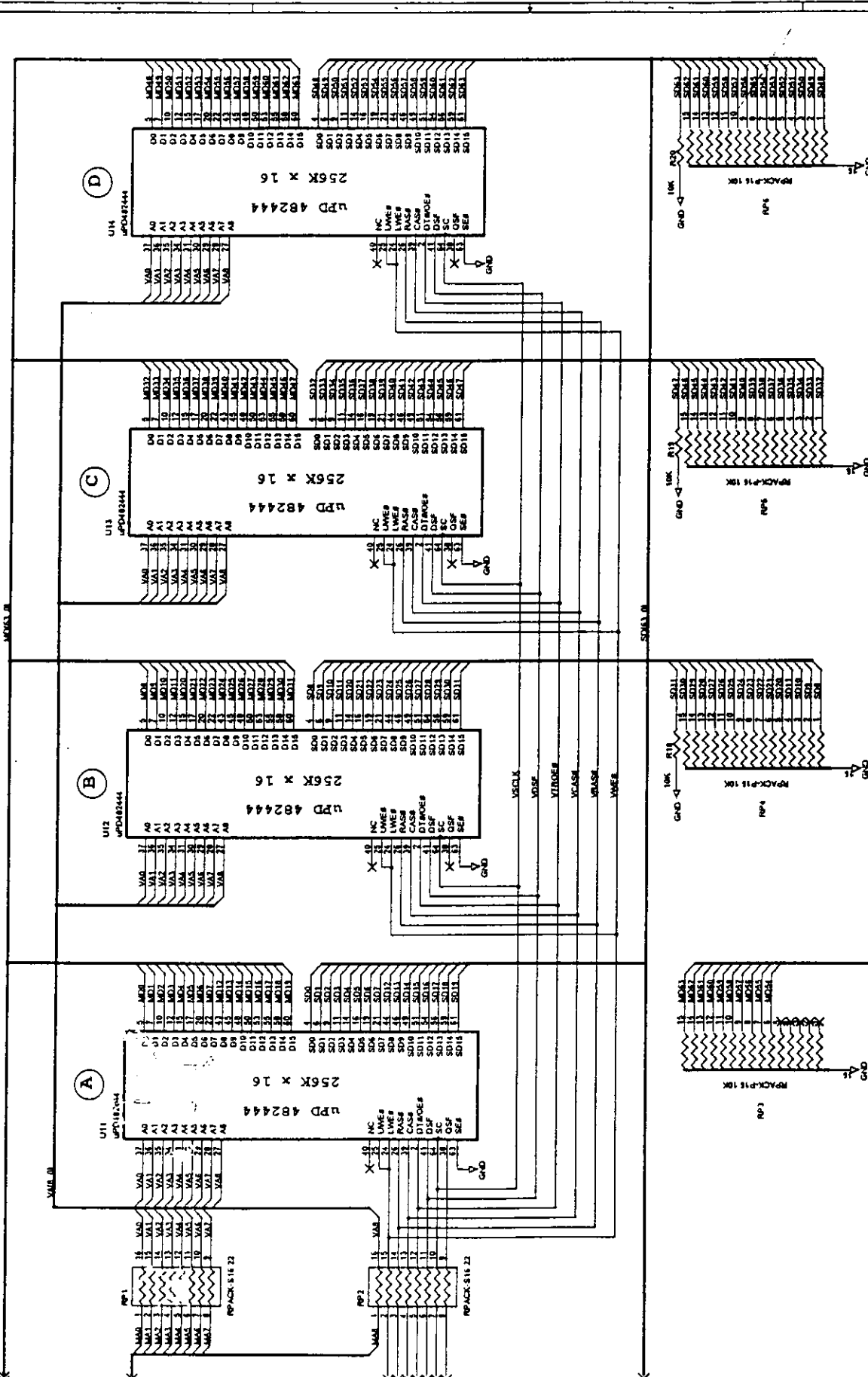
sage Sage Inc.
4833 Old Ironsides Drive #420
Santa Clara, CA 95054
Voice: 408 748 0500
Fax : 408 748 8541

Title	ZEBRA - CHEETAH ASIC INTERFACE
Docu-ment Number	ZEB001.001
Rev	0 0
Date	EMULY, FEBRUARY 13, 1990



US
CHEETAH/US

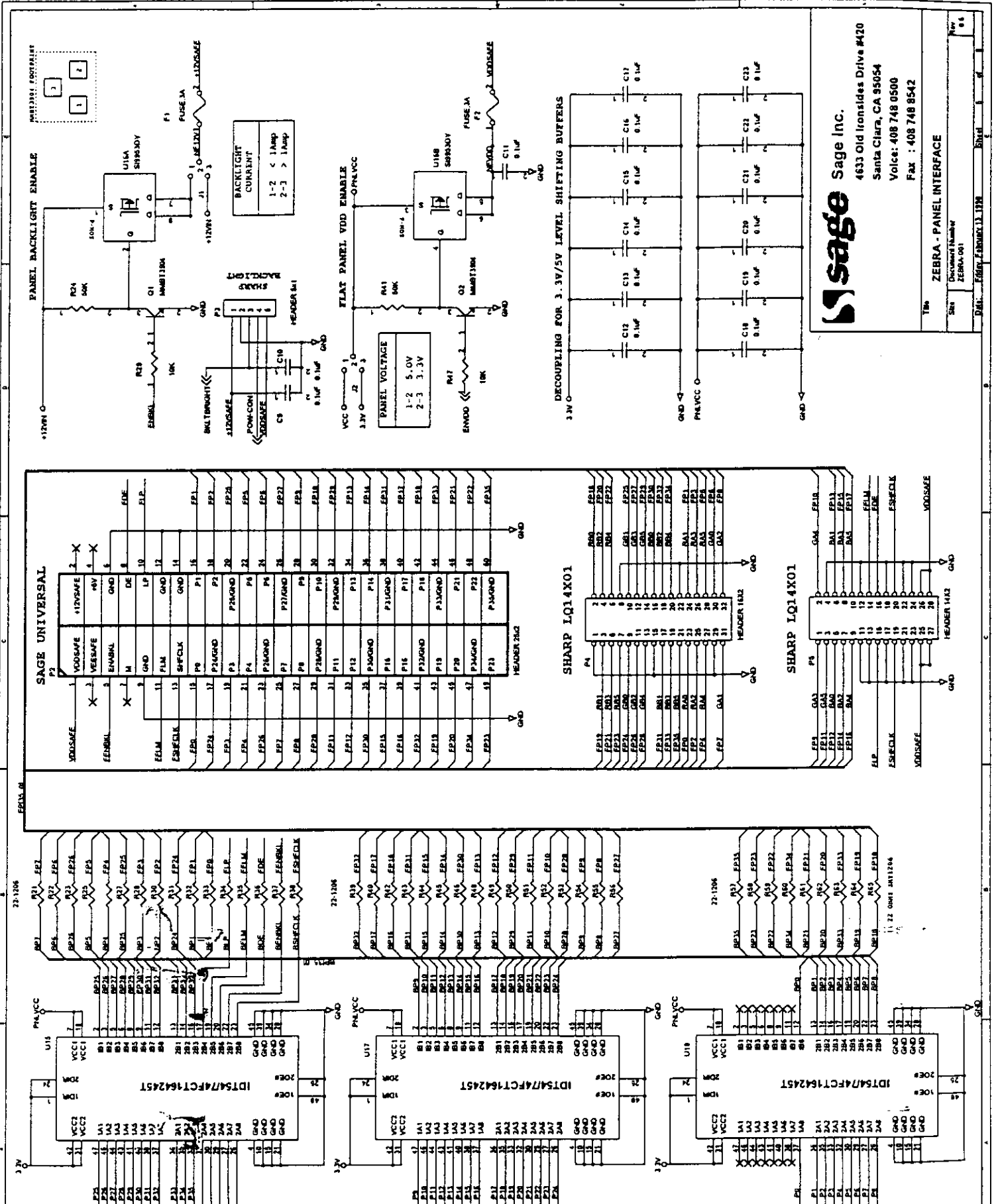
131	EN_P1	EN_P1	EN_P1
130	EN_P2	EN_P2	EN_P2
129	EN_P3	EN_P3	EN_P3
128	EN_P4	EN_P4	EN_P4
127	EN_P5	EN_P5	EN_P5
126	EN_P6	EN_P6	EN_P6
125	EN_P7	EN_P7	EN_P7
124	EN_P8	EN_P8	EN_P8
123	EN_P9	EN_P9	EN_P9
122	EN_P10	EN_P10	EN_P10
121	EN_P11	EN_P11	EN_P11
120	EN_P12	EN_P12	EN_P12
119	EN_P13	EN_P13	EN_P13
118	EN_P14	EN_P14	EN_P14
117	EN_P15	EN_P15	EN_P15
116	EN_P16	EN_P16	EN_P16
115	EN_P17	EN_P17	EN_P17
114	EN_P18	EN_P18	EN_P18
113	EN_P19	EN_P19	EN_P19
112	EN_P20	EN_P20	EN_P20
111	EN_P21	EN_P21	EN_P21
110	EN_P22	EN_P22	EN_P22
109	EN_P23	EN_P23	EN_P23
108	EN_P24	EN_P24	EN_P24
107	EN_P25	EN_P25	EN_P25
106	EN_P26	EN_P26	EN_P26
105	EN_P27	EN_P27	EN_P27
104	EN_P28	EN_P28	EN_P28
103	EN_P29	EN_P29	EN_P29
102	EN_P30	EN_P30	EN_P30
101	EN_P31	EN_P31	EN_P31
100	EN_P32	EN_P32	EN_P32
99	EN_P33	EN_P33	EN_P33
98	EN_P34	EN_P34	EN_P34
97	EN_P35	EN_P35	EN_P35
96	EN_P36	EN_P36	EN_P36
95	EN_P37	EN_P37	EN_P37
94	EN_P38	EN_P38	EN_P38
93	EN_P39	EN_P39	EN_P39
92	EN_P40	EN_P40	EN_P40
91	EN_P41	EN_P41	EN_P41
90	EN_P42	EN_P42	EN_P42
89	EN_P43	EN_P43	EN_P43
88	EN_P44	EN_P44	EN_P44
87	EN_P45	EN_P45	EN_P45
86	EN_P46	EN_P46	EN_P46
85	EN_P47	EN_P47	EN_P47
84	EN_P48	EN_P48	EN_P48
83	EN_P49	EN_P49	EN_P49
82	EN_P50	EN_P50	EN_P50
81	EN_P51	EN_P51	EN_P51
80	EN_P52	EN_P52	EN_P52
79	EN_P53	EN_P53	EN_P53
78	EN_P54	EN_P54	EN_P54
77	EN_P55	EN_P55	EN_P55
76	EN_P56	EN_P56	EN_P56
75	EN_P57	EN_P57	EN_P57
74	EN_P58	EN_P58	EN_P58
73	EN_P59	EN_P59	EN_P59
72	EN_P60	EN_P60	EN_P60
71	EN_P61	EN_P61	EN_P61
70	EN_P62	EN_P62	EN_P62
69	EN_P63	EN_P63	EN_P63
68	EN_P64	EN_P64	EN_P64
67	EN_P65	EN_P65	EN_P65
66	EN_P66	EN_P66	EN_P66
65	EN_P67	EN_P67	EN_P67
64	EN_P68	EN_P68	EN_P68
63	EN_P69	EN_P69	EN_P69
62	EN_P70	EN_P70	EN_P70
61	EN_P71	EN_P71	EN_P71
60	EN_P72	EN_P72	EN_P72
59	EN_P73	EN_P73	EN_P73
58	EN_P74	EN_P74	EN_P74
57	EN_P75	EN_P75	EN_P75
56	EN_P76	EN_P76	EN_P76
55	EN_P77	EN_P77	EN_P77
54	EN_P78	EN_P78	EN_P78
53	EN_P79	EN_P79	EN_P79
52	EN_P80	EN_P80	EN_P80
51	EN_P81	EN_P81	EN_P81
50	EN_P82	EN_P82	EN_P82
49	EN_P83	EN_P83	EN_P83
48	EN_P84	EN_P84	EN_P84
47	EN_P85	EN_P85	EN_P85
46	EN_P86	EN_P86	EN_P86
45	EN_P87	EN_P87	EN_P87
44	EN_P88	EN_P88	EN_P88
43	EN_P89	EN_P89	EN_P89
42	EN_P90	EN_P90	EN_P90
41	EN_P91	EN_P91	EN_P91
40	EN_P92	EN_P92	EN_P92
39	EN_P93	EN_P93	EN_P93
38	EN_P94	EN_P94	EN_P94
37	EN_P95	EN_P95	EN_P95
36	EN_P96	EN_P96	EN_P96
35	EN_P97	EN_P97	EN_P97
34	EN_P98	EN_P98	EN_P98
33	EN_P99	EN_P99	EN_P99
32	EN_P100	EN_P100	EN_P100
31	EN_P101	EN_P101	EN_P101
30	EN_P102	EN_P102	EN_P102
29	EN_P103	EN_P103	EN_P103
28	EN_P104	EN_P104	EN_P104
27	EN_P105	EN_P105	EN_P105
26	EN_P106	EN_P106	EN_P106
25	EN_P107	EN_P107	EN_P107
24	EN_P108	EN_P108	EN_P108
23	EN_P109	EN_P109	EN_P109
22	EN_P110	EN_P110	EN_P110
21	EN_P111	EN_P111	EN_P111
20	EN_P112	EN_P112	EN_P112
19	EN_P113	EN_P113	EN_P113
18	EN_P114	EN_P114	EN_P114
17	EN_P115	EN_P115	EN_P115
16	EN_P116	EN_P116	EN_P116
15	EN_P117	EN_P117	EN_P117
14	EN_P118	EN_P118	EN_P118
13	EN_P119	EN_P119	EN_P119
12	EN_P120	EN_P120	EN_P120
11	EN_P121	EN_P121	EN_P121
10	EN_P122	EN_P122	EN_P122
9	EN_P123	EN_P123	EN_P123
8	EN_P124	EN_P124	EN_P124
7	EN_P125	EN_P125	EN_P125
6	EN_P126	EN_P126	EN_P126
5	EN_P127	EN_P127	EN_P127
4	EN_P128	EN_P128	EN_P128
3	EN_P129	EN_P129	EN_P129
2	EN_P130	EN_P130	EN_P130
1	EN_P131	EN_P131	EN_P131



Sage Inc.
 4633 Old Ironsides Drive #420
 Santa Clara, CA 95054
 Voice: 408 748 0500
 Fax: 408 748 8542

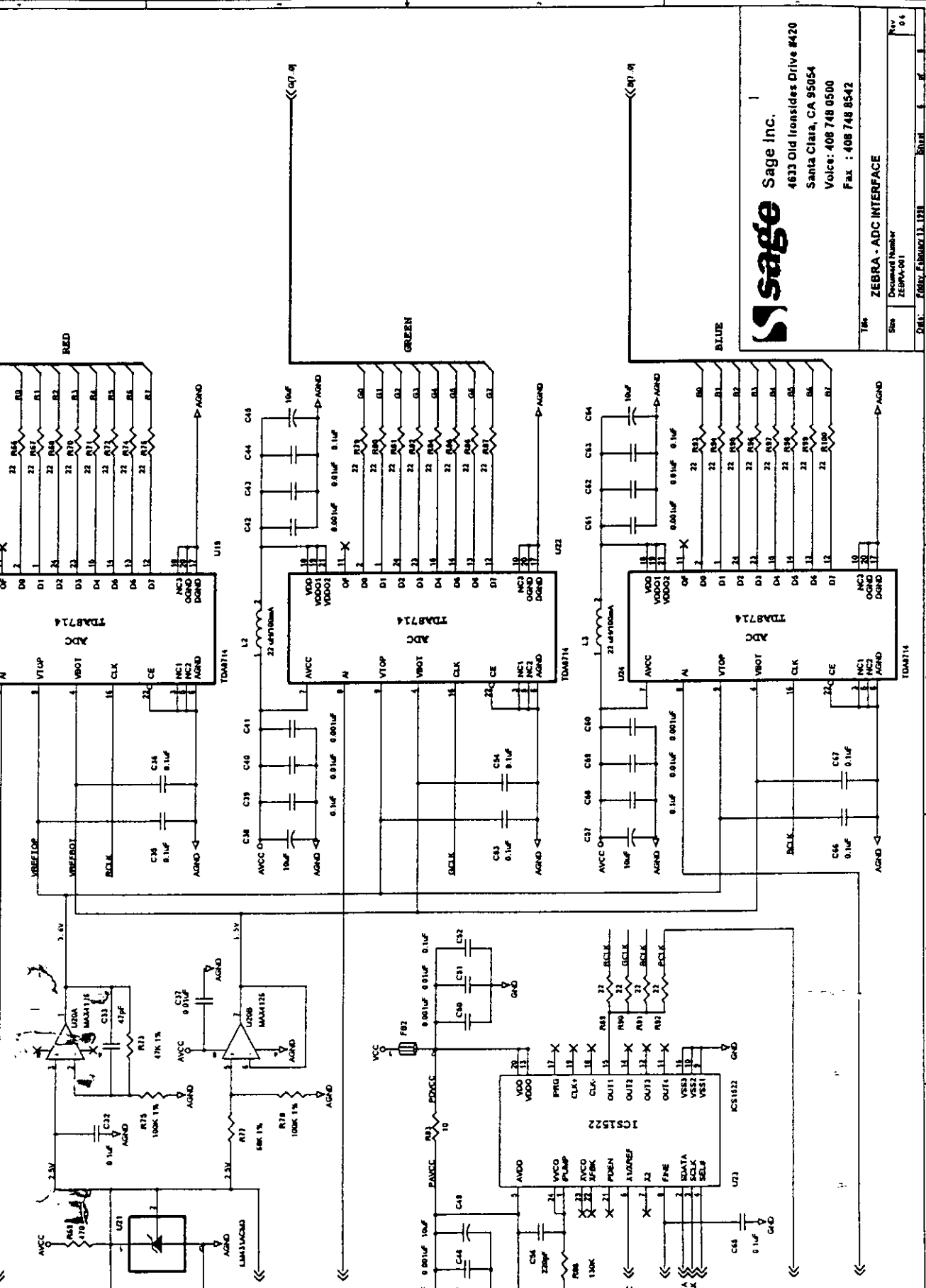
MEMORY POPULATION OPTIONS		
PANEL TYPE	PRESENT	ABSENT
ALL TTT	VRAMS A, B, C AND D	RP4, RP5 & RP6 R18, R19 & R20
STN 16 BIT 2-2/3 PUX/CLK	VRAM A ONLY RP4, RP5 & RP6 R18, R19 & R20	VRAMS B, C, D
STN 24 BIT 4 PUX/CLK	VRAMS A AND B ONLY RP5 & RP6 R19 & R20	VRAMS C AND D RP4 R18

TM ZEBRA - MEMORY INTERFACE
 Doc# ZEP4001
 Date: Entry, Labwork, D, J, H, I, K, L, M, N, O, P, Q, R, S, T, U, V, W, X, Y, Z



Sage Inc.
 4633 Old Ironsides Drive #420
 Santa Clara, CA 95054
 Voice: 408 748 0500
 Fax: 408 748 8542

Title		ZEBRA - PANEL INTERFACE
Size	Document Number	ZEBRA-001
Date	Rev	01



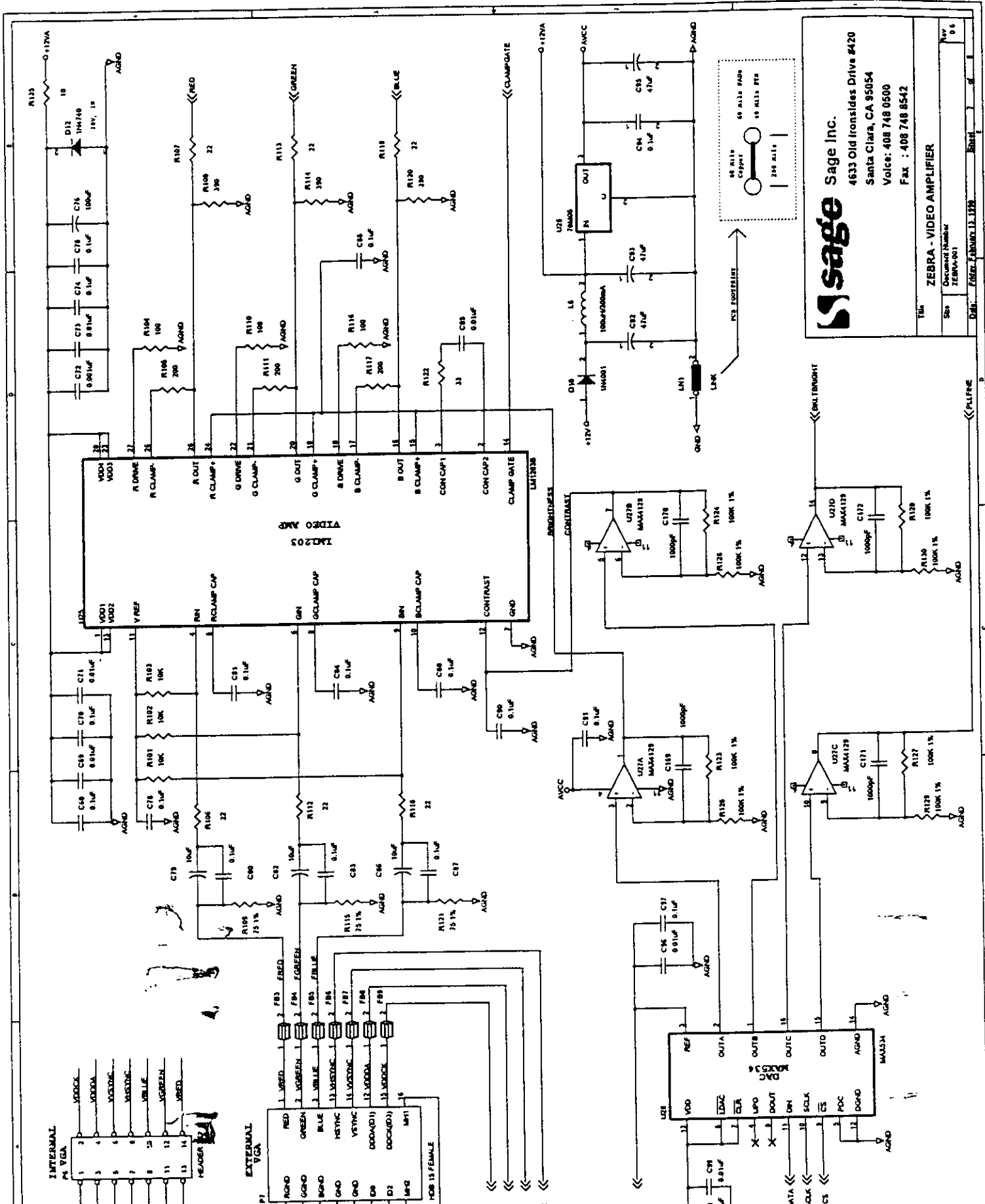
sage Sage Inc.
 4633 Old Ironsides Drive #420
 Santa Clara, CA 95054
 Voice : 408 748 0500
 Fax : 408 748 8542

Doc# : ZEBRA-ADC-INT-01
 Rev : 0.6

RED (P1-9)

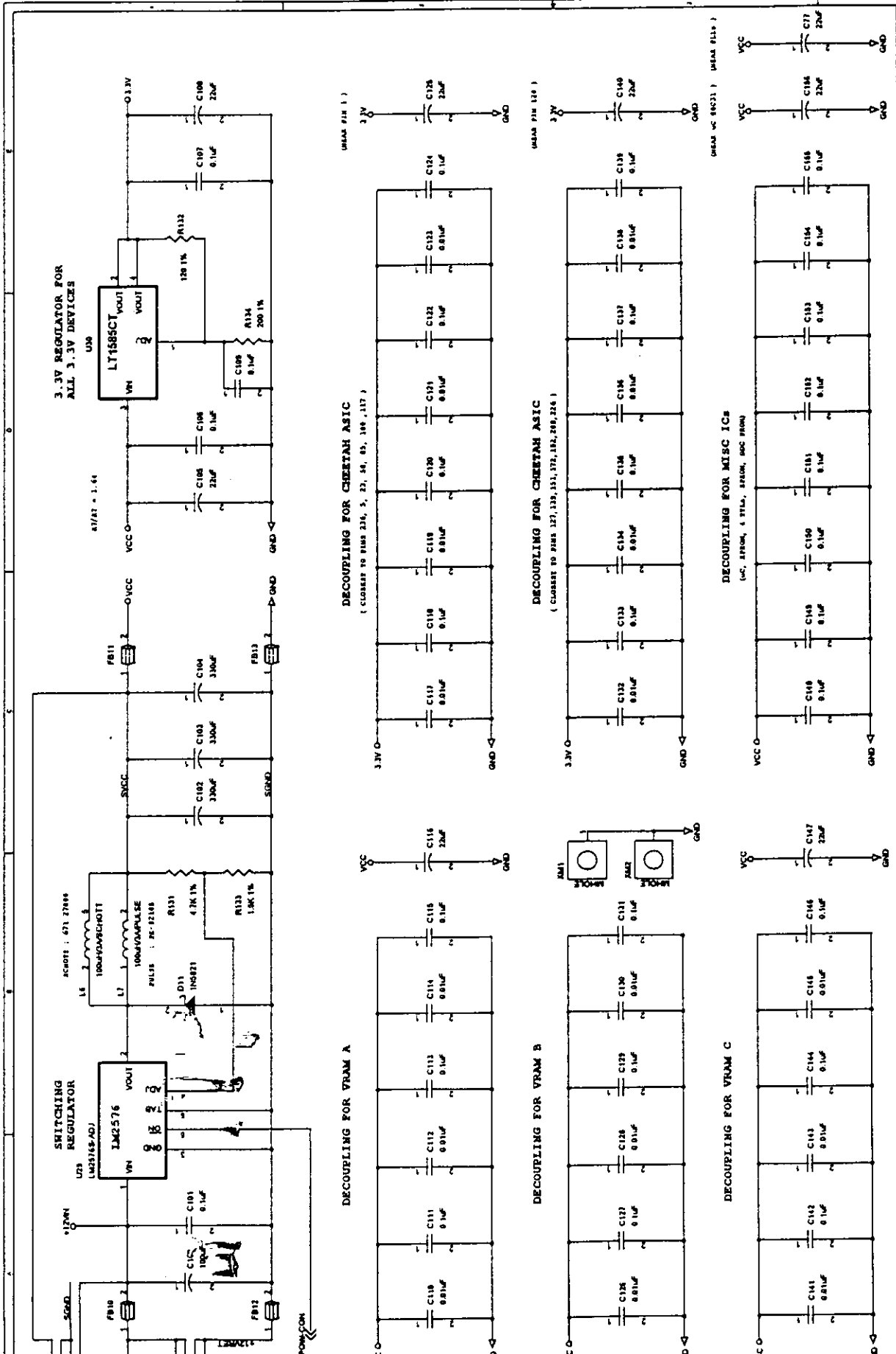
GREEN (P1-9)

BLUE (P1-9)



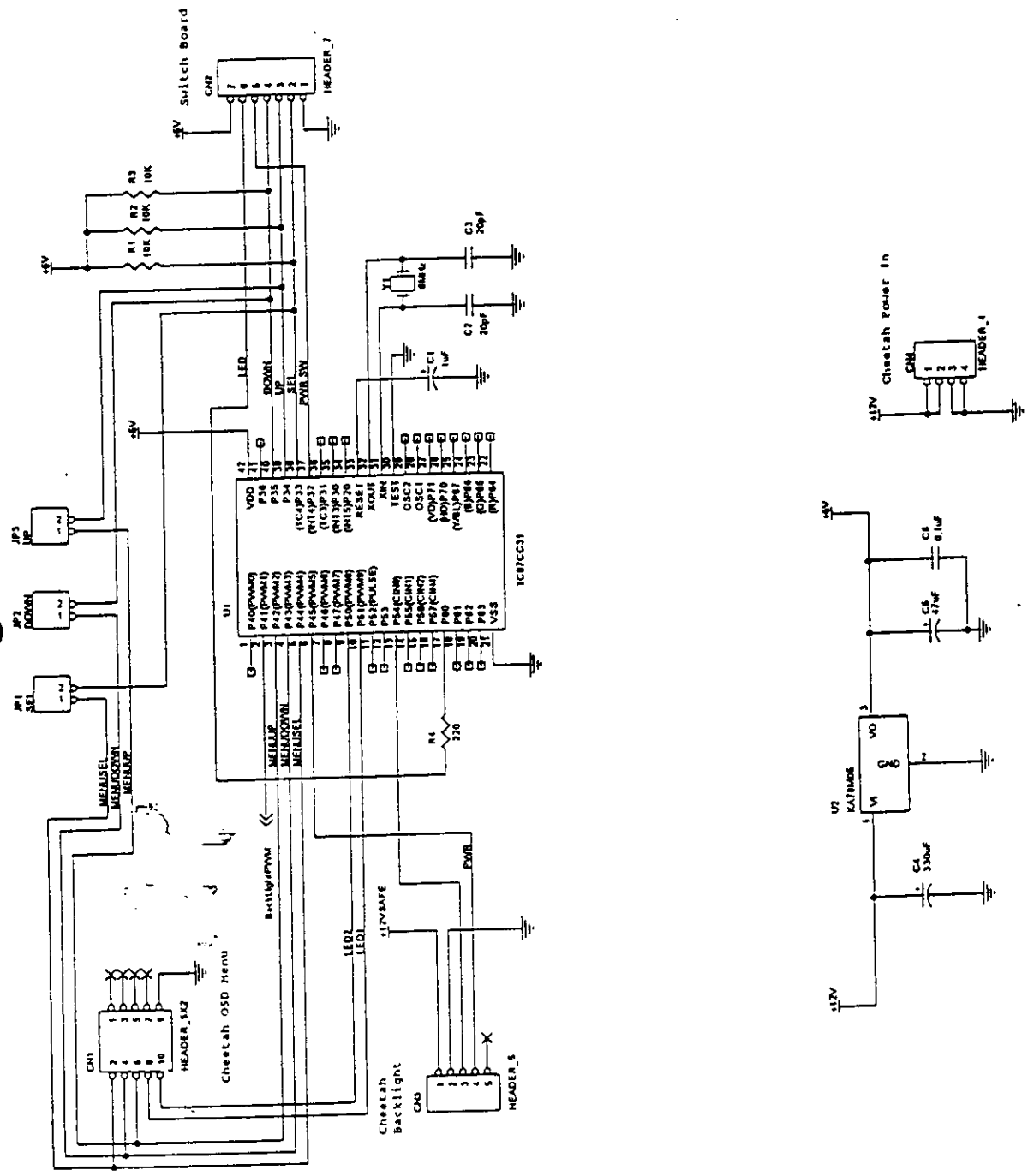
sage Sage Inc.
 4633 Old Ironsides Drive #420
 Santa Clara, CA 95054
 Voice: 408 748 0500
 Fax: 408 748 8542

TM	ZEBRA - VIDEO AMPLIFIER	
Docu	Document Number	ZEBRA-001
Rev	Revision	0 5
DATE	DATE	FEBRUARY 13, 1979

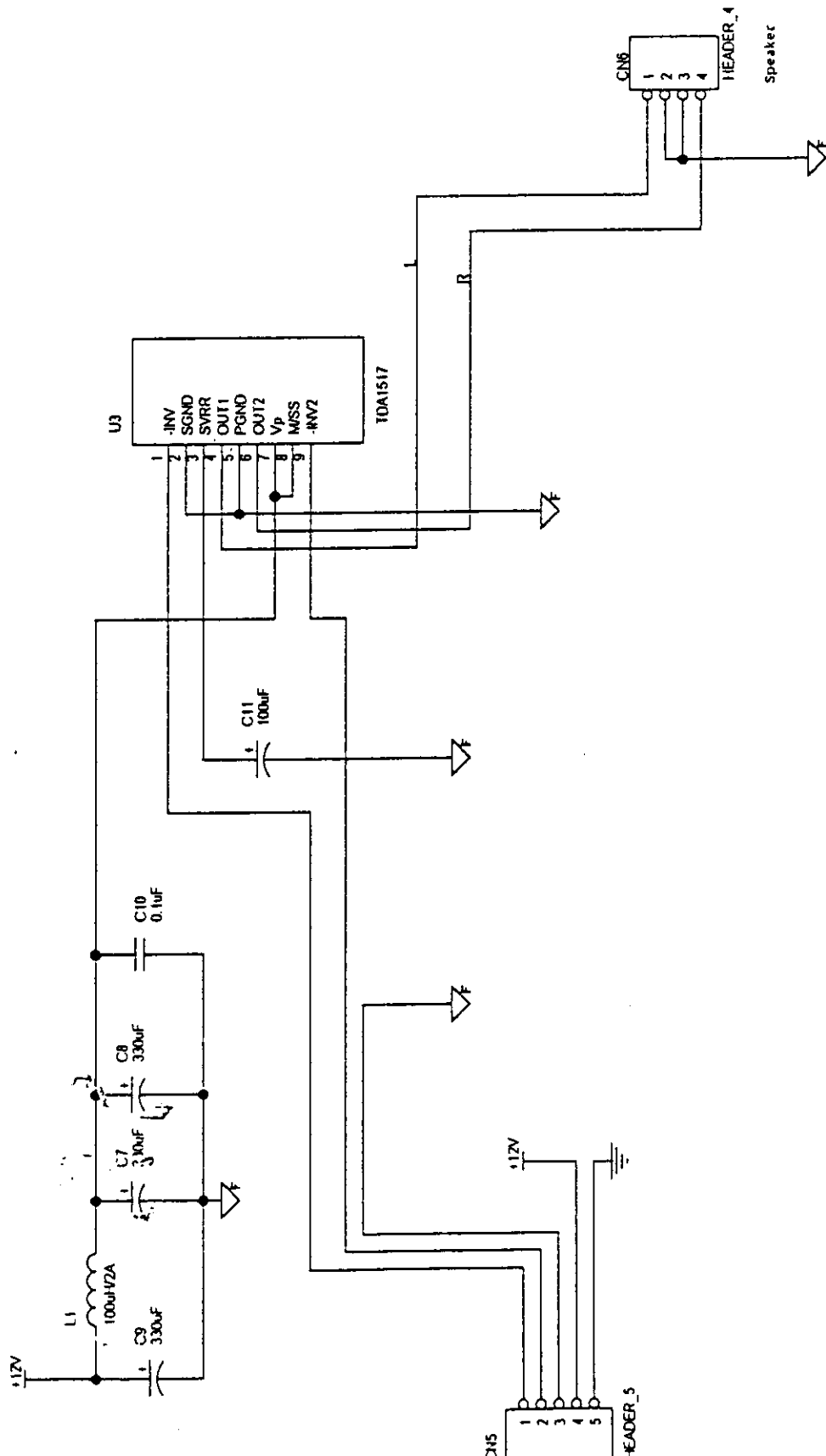


sage Sage Inc.
 4633 Old Ironsides Drive #420
 Santa Clara, CA 95054
 Voice: 408 748 0500
 Fax: 408 748 8542

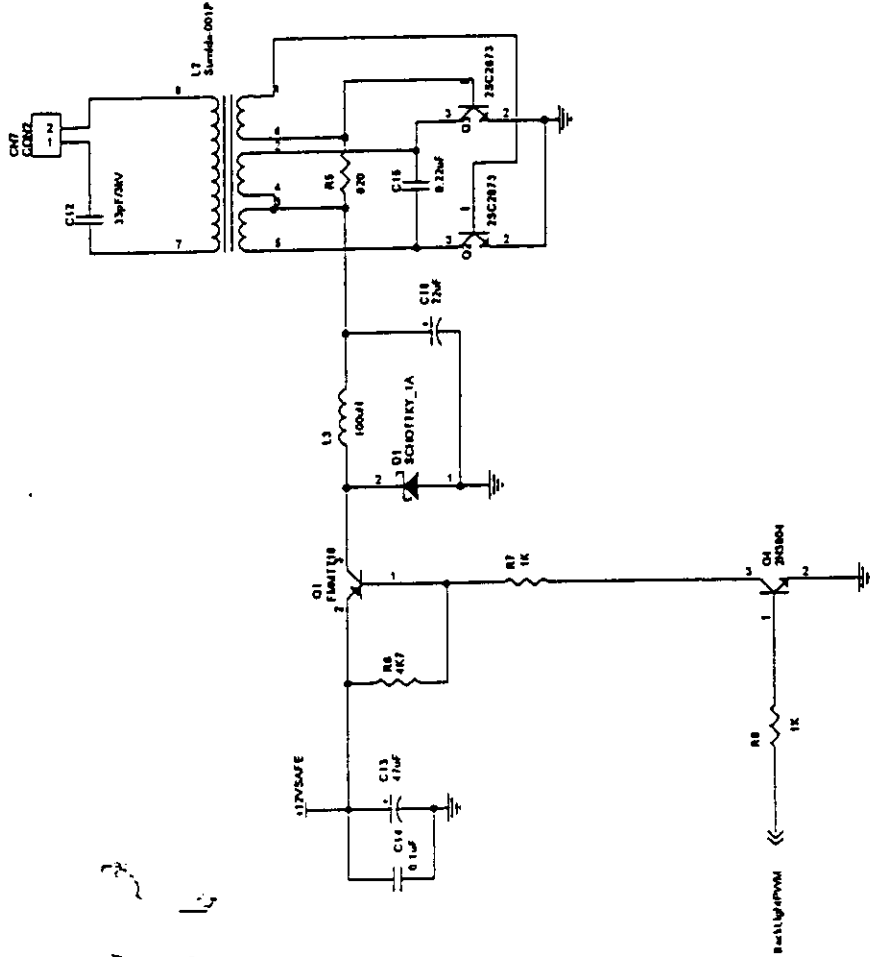
Title: ZEBRA - POWER AND DECOUPLING CAPS
 Document Number: ZEBRA-001
 Rev: 00



DES Singapore Pte Ltd	
No	1
Rev	01
Date	11/19/97
Drawn	1
Checked	1
Approved	1
Project	1
Sheet	1
Doc. Control Number	001
Version	01



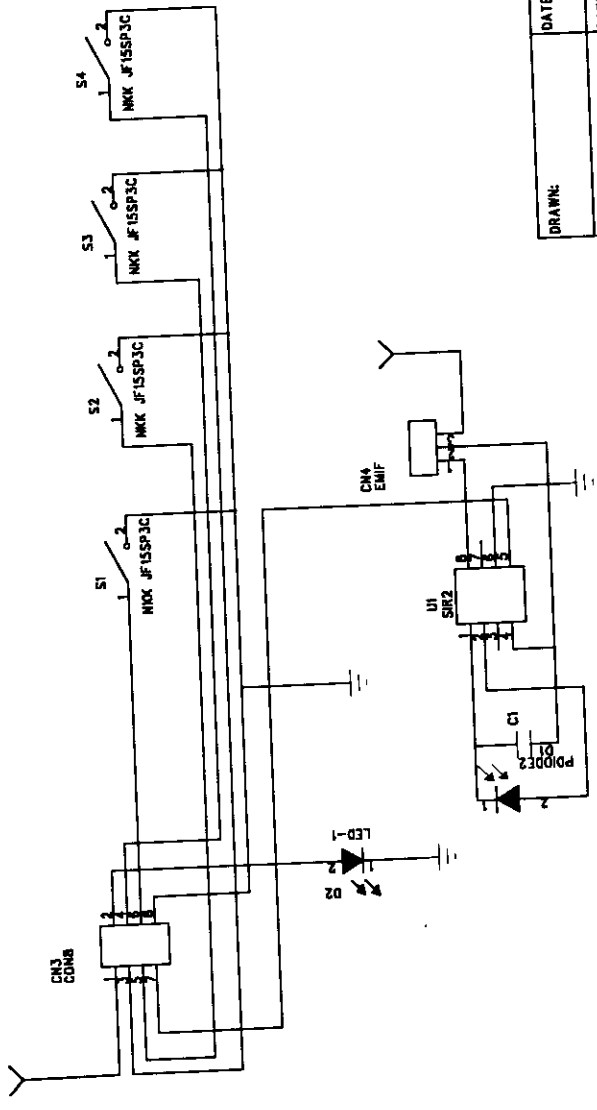
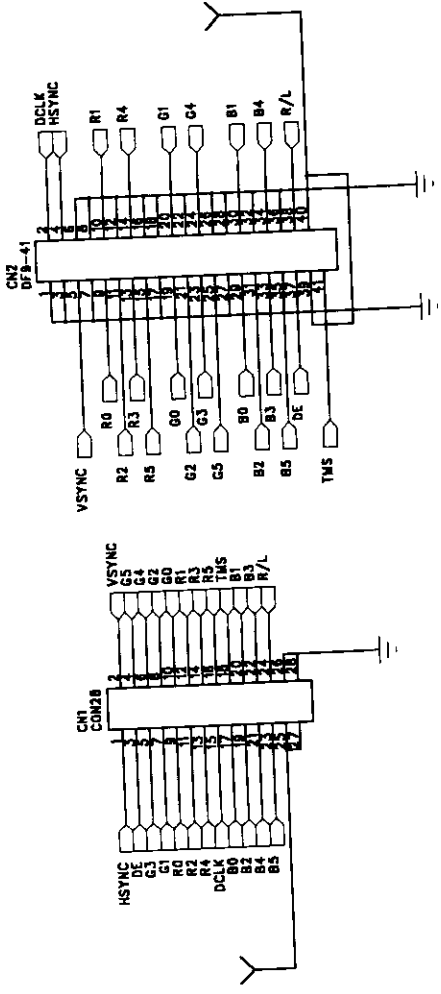
GES Singapore Pte Ltd	
Title AUDIO	
Size A	Document Number 001
Date: Tuesday, January 06, 1998	Rev 01



GES Singapore Pte Ltd
 74/5
 8011/94
 Document Number
 001
 Date: Wednesday, 31 October 1997 10:07:30 AM

6 5 4 3 2 1

REVISION RECORD		
LTR	ECC NO:	DATE:



COMPANY: **GES SINGAPORE PTE LTD**

TITLE: **LCD SWITCH & PANEL CONNECTOR**

DRAWN:	DATED:
CHECKED:	DATED:
QUALITY CONTROL:	DATED:
RELEASED:	DATED:

CODE:	SIZE:	DRAWING NO:	REV:

SCALE:	SHEET:	OF