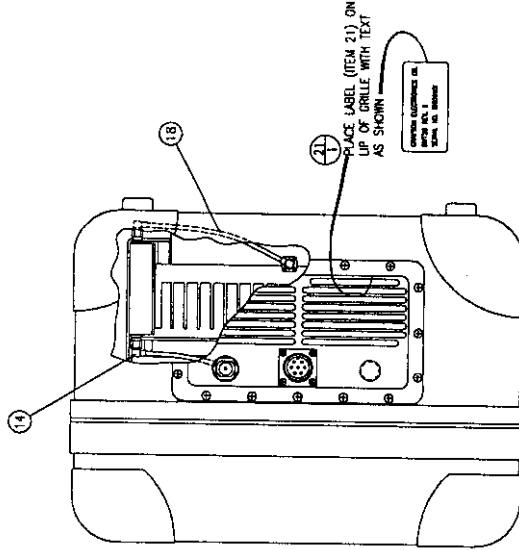
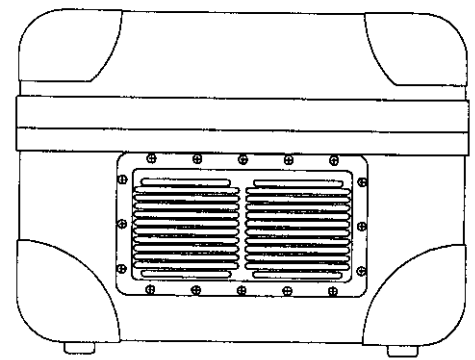
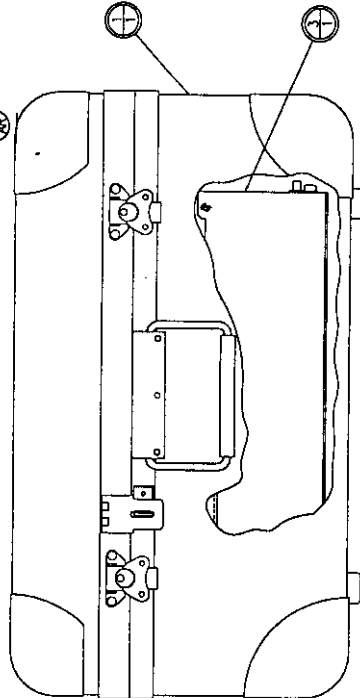
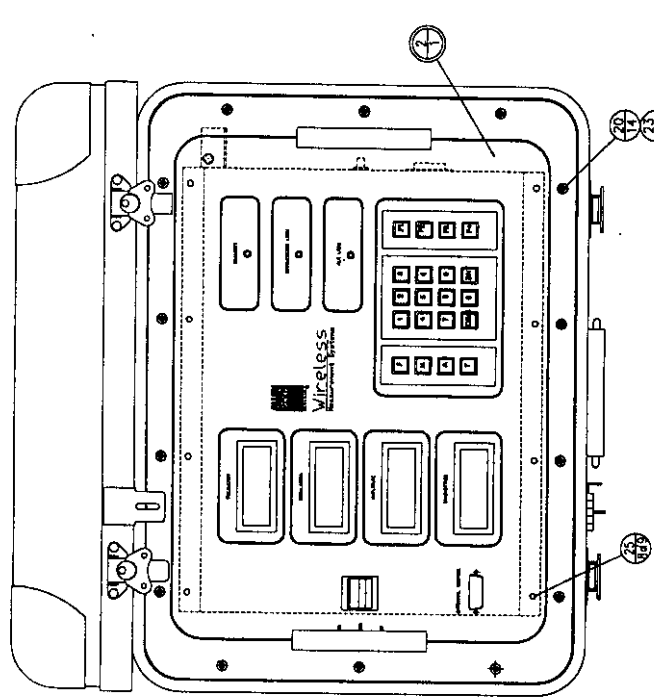


REV. 8
 ESN 10741
 DESCRIPTION
 DATE 12/4/96
 APPROVED N/A



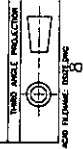
CABLE ITEM	ITEM NO.
ITEM 5 (E154000-1)	POWER-10
ITEM 6 (E154000-1)	DISPLAY 30-2 TO POW. SUP.-10
ITEM 8 (E154000-1)	DISPLAY 30-4 TO POW. SUP.-10
ITEM 11 (E154000-1)	DISPLAY/30-4 TO POW. SUP.-10
ITEM 12 (E154000-1)	SWITCHES-2 TO POW. SUP.-10
ITEM 13 (E154000-1)	PH TO POW. SUP.-10
ITEM 14 (E154000-1)	PH OUT TO ENTER UNIT
ITEM 15 (E154000-1)	ENTER/COMP. AS TO SERIAL C.
ITEM 16 (E154000-1)	ENTER/COMP. 30-2 TO X. COMM.
ITEM 18 (E154000-1)	SPIN. OUT TO PH UNIT



- NOTES:
1. CONNECT FAN LEADS TO POWER SUPPLY BOARD.
 2. CONNECT ALL CABLES PER CHART.
 3. CONNECT POWER CABLE AND FUSED LEADS TO POWER SUPPLY BOARD.
 4. CONNECT GROUND WIRE TO CONNEMENT STUD ON FRONT PANEL WITH ITEM 9.
 5. USE CAUTION WHEN ASSEMBLING CHASSIS AND FRONT PANEL ASSEMBLY INTO CASE TO AVOID PINCHING WIRES.

ORIGINAL
 GRAYSON ELECTRONICS COMPANY
 PAGE 1 OF 1
 SIGN. *C. S. Moore* DATE 9/28/96

THIS DRAWING IS A DISCLOSED ITEM. IT IS THE PROPERTY OF GRAYSON ELECTRONICS COMPANY. IT IS TO BE KEPT UNDER STRICT CONTROL AND NOT REPRODUCED OR DISCLOSED TO ANY OTHER PERSON OR ORGANIZATION WITHOUT THE WRITTEN PERMISSION OF GRAYSON ELECTRONICS COMPANY.
 GRAYSON ELECTRONICS CO.
 FOREST, VA. a division of the ALTA ELECTRONIC GROUP
 SOUTH ASSEMBLY



APPENDIX 1
EQUIPMENT IDENTIFICATION LABEL

GRAYSON ELECTRONICS CO.
FCC ID: JTE-GMT20

SKETCH OF LABEL PLACEMENT FOLLOWS THIS SHEET

EQUIPMENT IDENTIFICATION LABEL
FCC ID: JTE-GMT20

APPENDIX 1