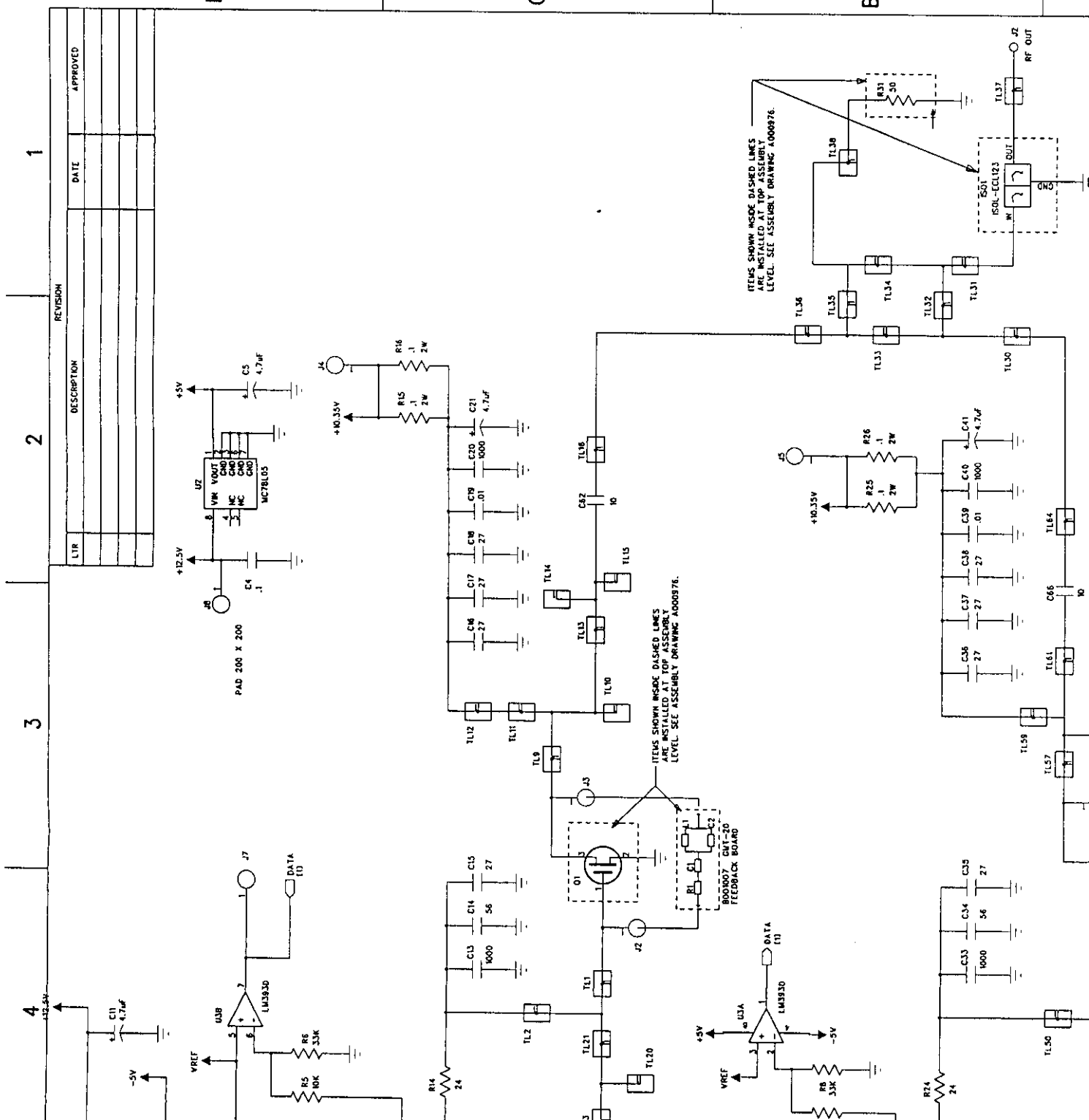




Blank Page

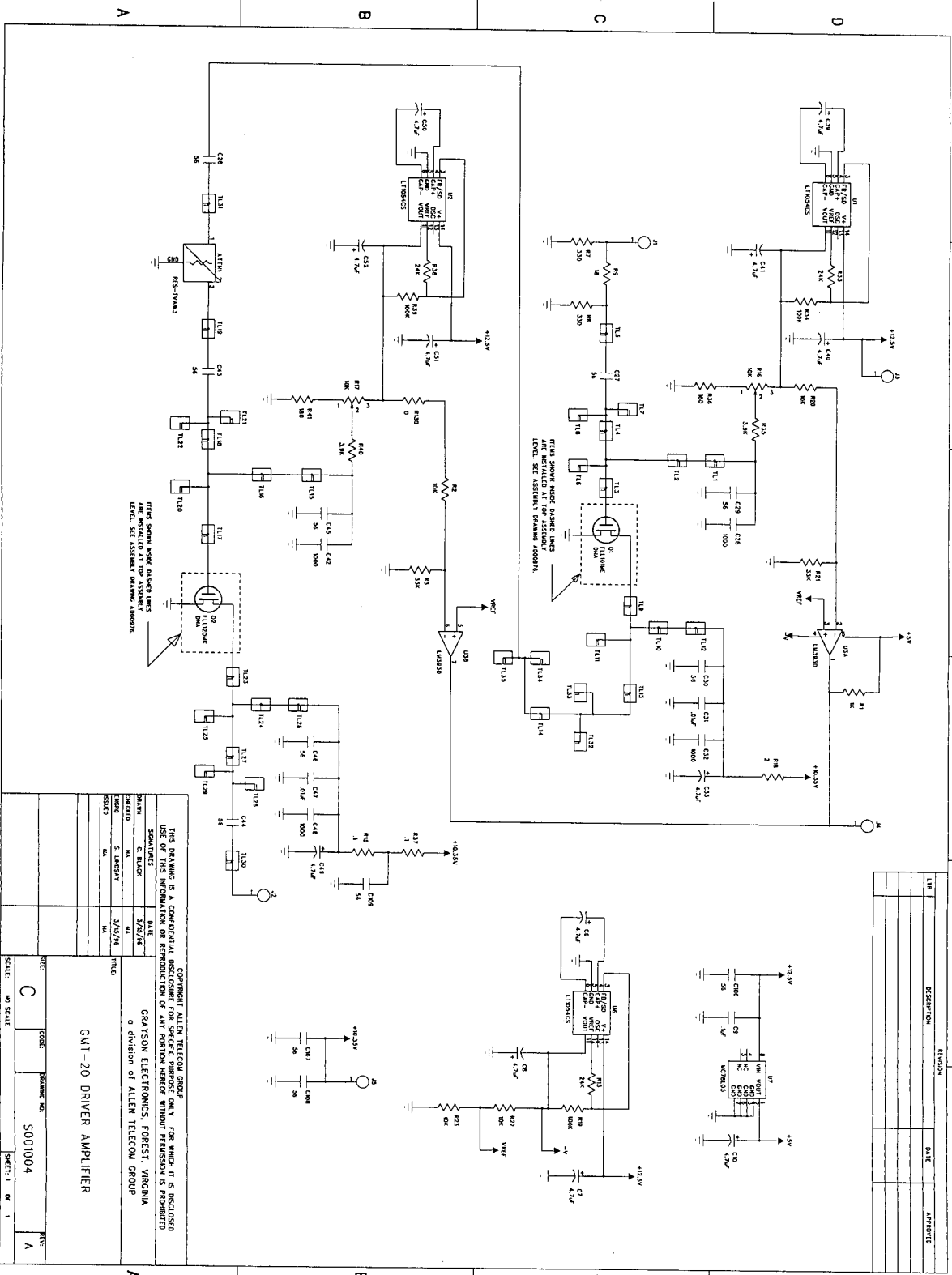
Don't Forget To Delete Me!

DATE 4/14/76
 PAGE 1 OF 1
 ELECTRONICS COMPANY
ORIGINAL



REVISION	DATE	APPROVED

LTIR	DESCRIPTION	DATE	APPROVED



REV	DATE	DESCRIPTION
1		
2		
3		
4		
5		
6		

DATE	3/15/76
DESIGNED BY	C. BLICK
DRAWN BY	S. LINSBY
CHECKED BY	MA
SCALE	NO SCALE

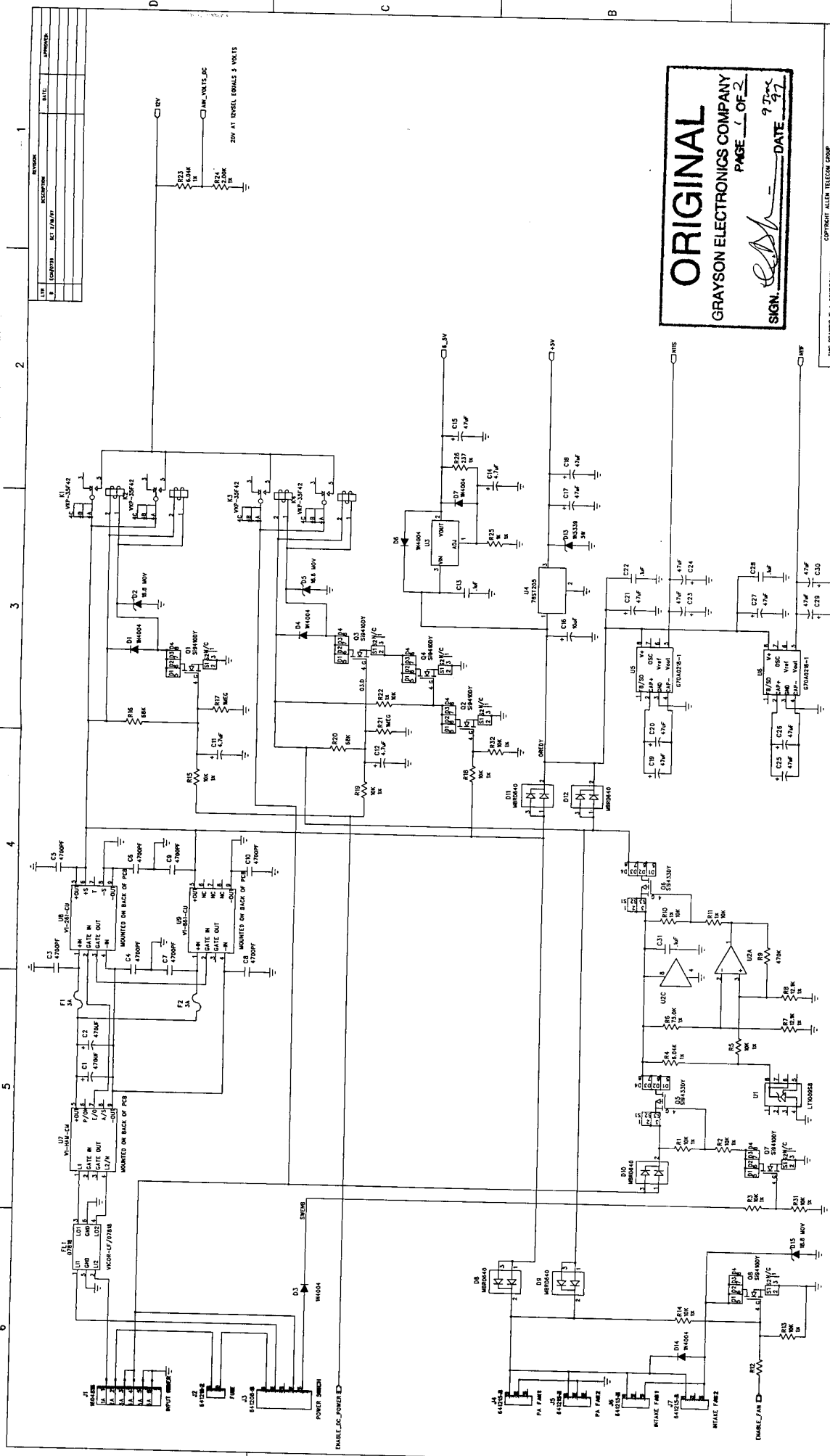
REV	DATE	DESCRIPTION
A		

GMT-20 DRIVER AMPLIFIER

THIS DRAWING IS A CONFIDENTIAL DOCUMENT AND IS TO BE KEPT AS SUCH. IT IS THE PROPERTY OF GRAYSON ELECTRONICS COMPANY. FOR WHOM IT IS PRODUCED. USE OF THIS INFORMATION OR REPRODUCTION OR TRANSMISSION HEREOF WITHOUT PERMISSION IS PROHIBITED.

GRAYSON ELECTRONICS, FOREST, VIRGINIA
 A DIVISION OF ALLEN TELECOM GROUP

ORIGINAL
 GRAYSON ELECTRONICS COMPANY
 PAGE 1 OF 1
 SIGN: *Jed D. Jones* DATE 4/4/96



REV	DESCRIPTION	DATE	APPROVED
1	ISSUED FOR FAB	11/17/71	
2	REVISED		
3			
4			
5			
6			

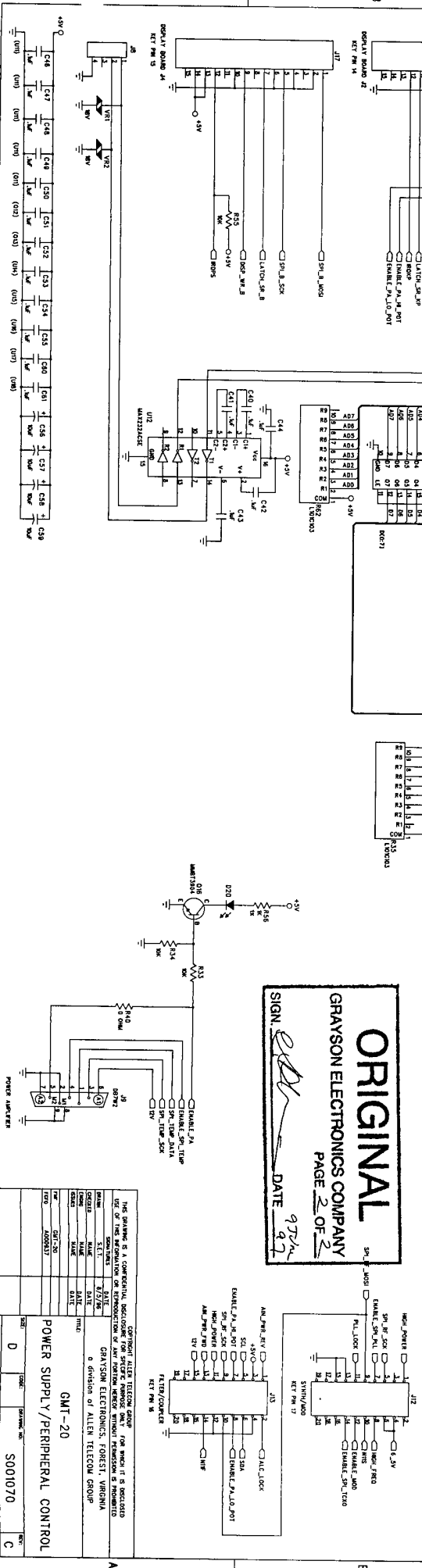
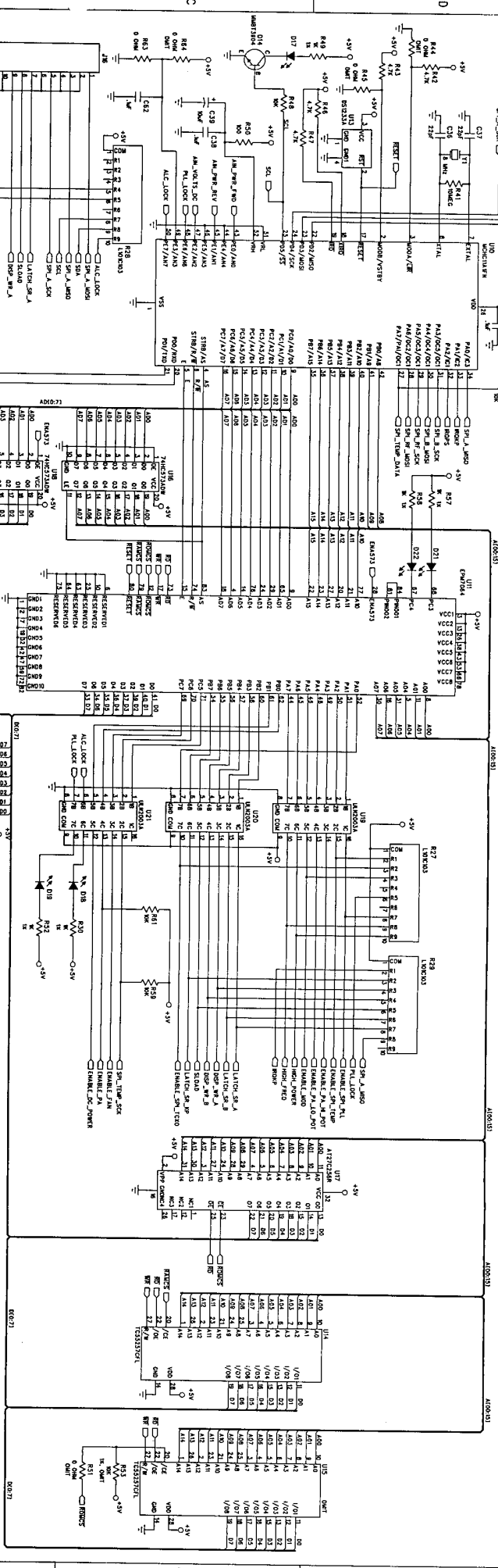
ORIGINAL
 GRAYSON ELECTRONICS COMPANY
 PAGE 1 OF 2
 SIGN: *[Signature]* DATE: 9/27/71

THIS DRAWING IS A CONFIDENTIAL DISCLOSURE OF INFORMATION FOR WHICH THE PROTECTION OF PATENT RIGHTS IS PROMOTED	
NAME	DATE
DESIGNED	BY
DRAWN	BY
CHECKED	BY
APPROVED	BY
TITLE	
GMT-20	
POWER SUPPLY/PERIPHERAL CONTROL	
REV	DATE
D	
REV	DATE
S001070	
SCALE: NONE	
SHEET 1 OF 2	

BATTERY VOLTAGE SENSE
 SET AT 20V BLOW OFF
 WITH TROPHY OF MISTRESS



REV	DATE	BY	APP
1	11/17/70	WJ	
2	5/29/71	WJ	
3	5/29/71	WJ	



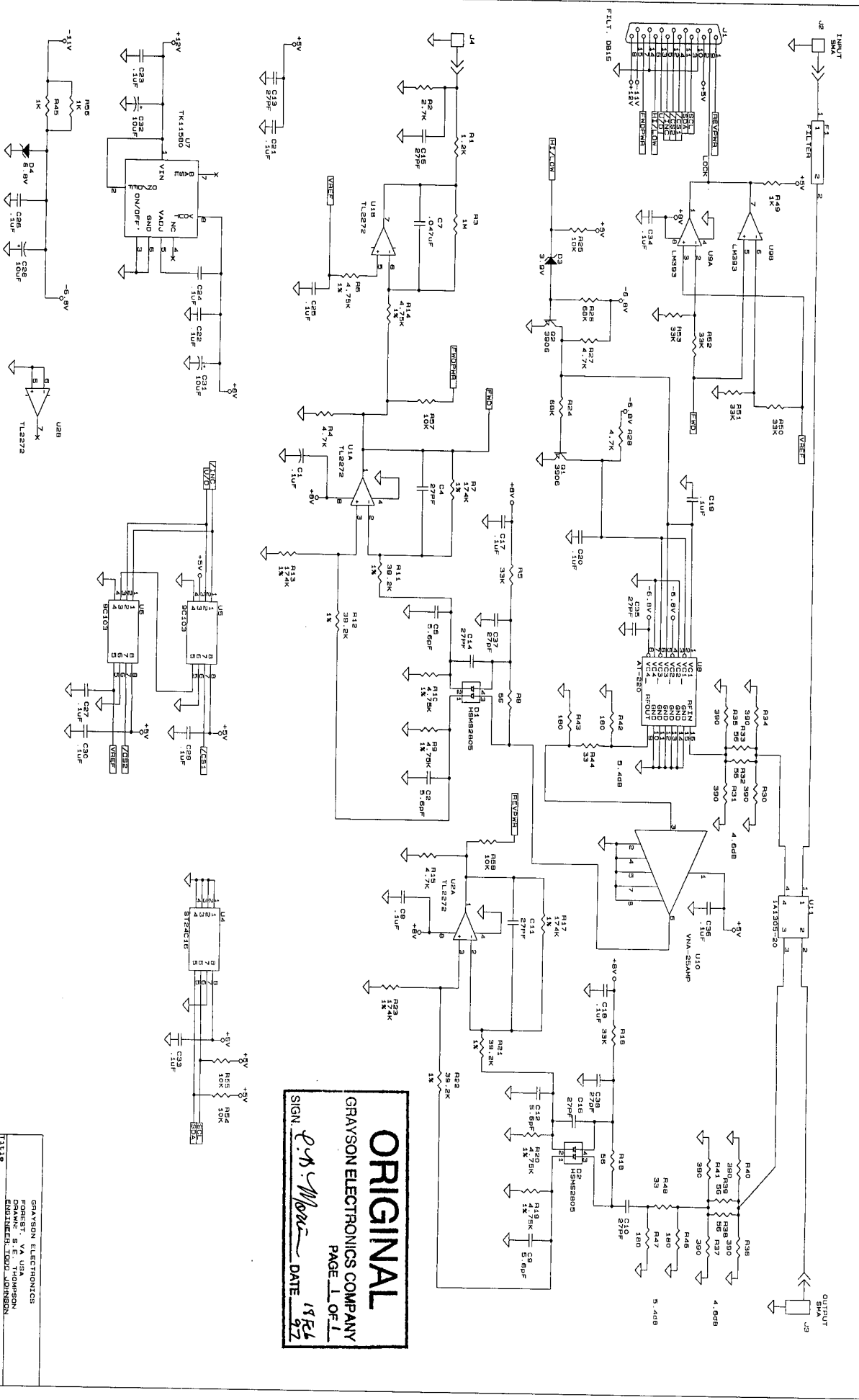
ORIGINAL
 GRAYSON ELECTRONICS COMPANY
 PAGE 2 OF 2
 SIGN: *[Signature]*
 DATE: 9/7/71

CONSENT AFTER TESTS GROUP USE OF THIS DRAWING FOR REPRODUCTION OR ANY OTHER PURPOSE WITHOUT PERMISSION IS PROHIBITED
 GRAYSON ELECTRONICS, FOREST, VIRGINIA
 A DIVISION OF ALLEN TELECOM GROUP

GMT-20
 POWER SUPPLY / PERIPHERAL CONTROL

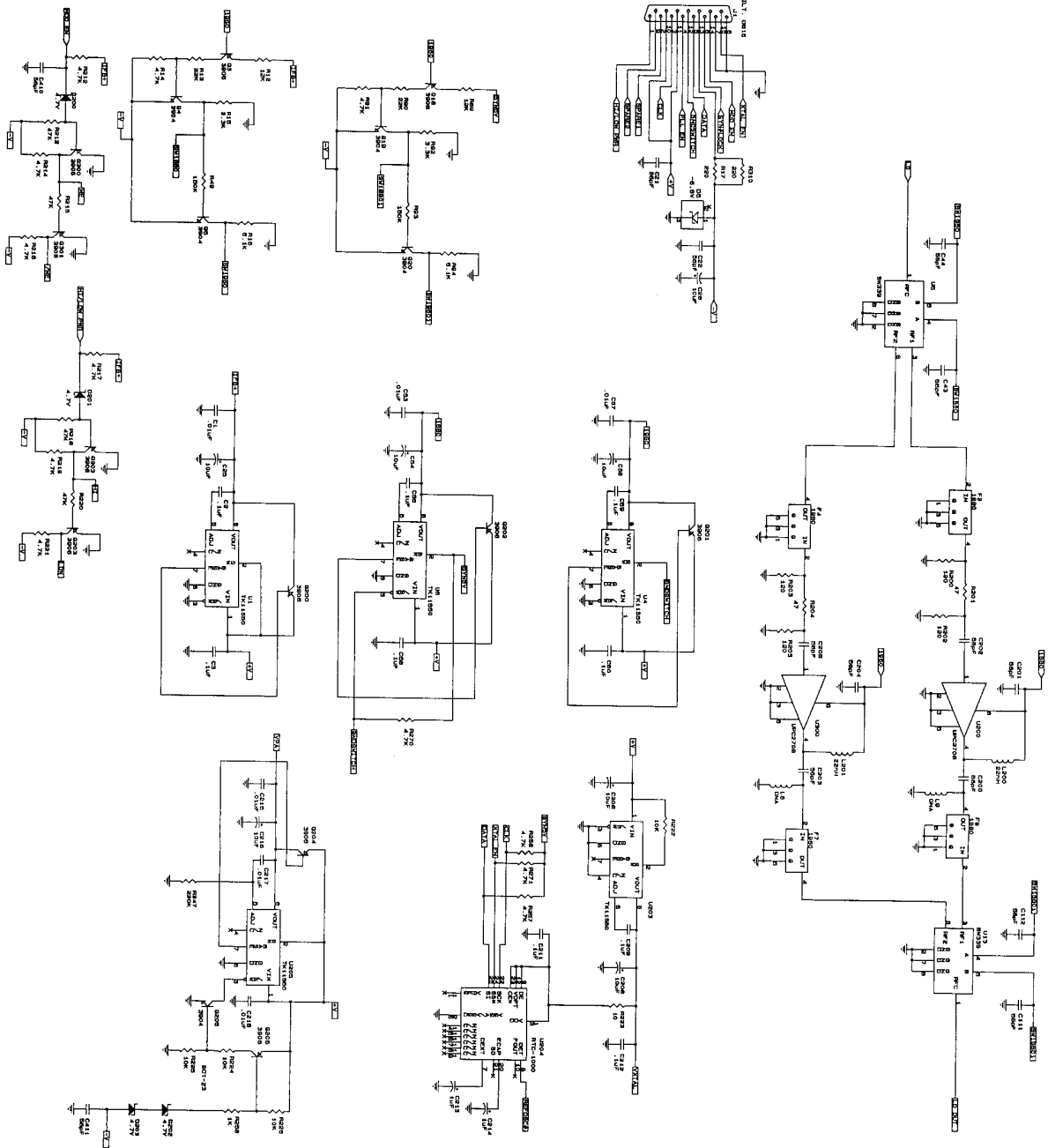
REV	DATE	BY	APP
1	11/17/70	WJ	
2	5/29/71	WJ	
3	5/29/71	WJ	

SCALE: NONE
 SHEET: 2 OF 3



ORIGINAL
 GRAYSON ELECTRONICS COMPANY
 PAGE 1 OF 1
 SIGN: *P.H. Moore* DATE: 1974
 9/22

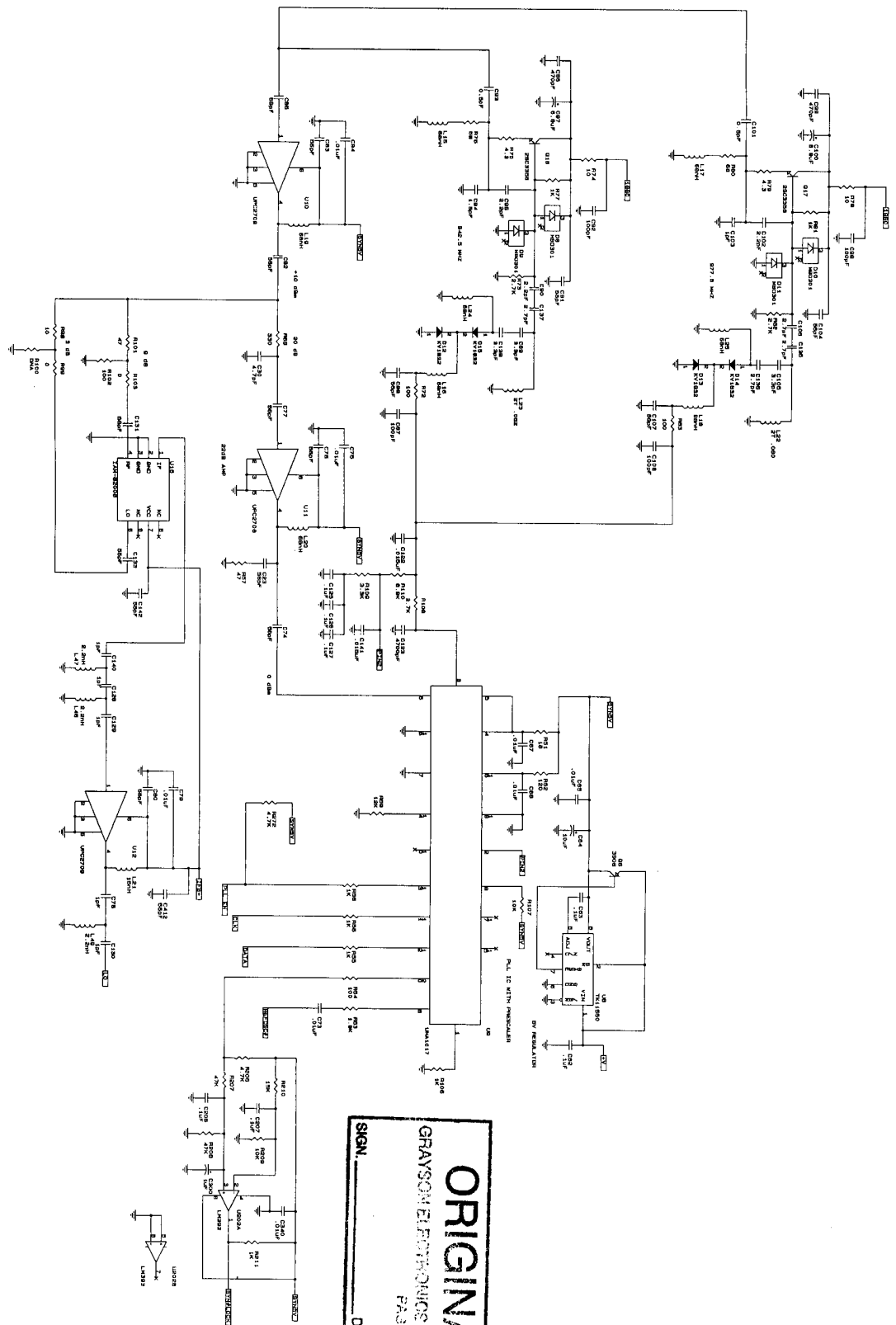
GRAYSON ELECTRONICS
 FOREST, VA USA
 ROBERT L. JOHNSON
 ENGINEER, TDD-JOHNSON
 TITLE: STX20, LOW PASS FILTER COUPLER
 SIZE: DOCUMENT NUMBER: 5000328
 DATE: FEBRUARY 17, 1972 SHEET: 1 OF 1



ORIGINAL
 GRAYSON ELECTRONICS COMPANY
 PAGE 1 OF 3
 SIGN *E. S. Moore*
 DATE 10/26/67

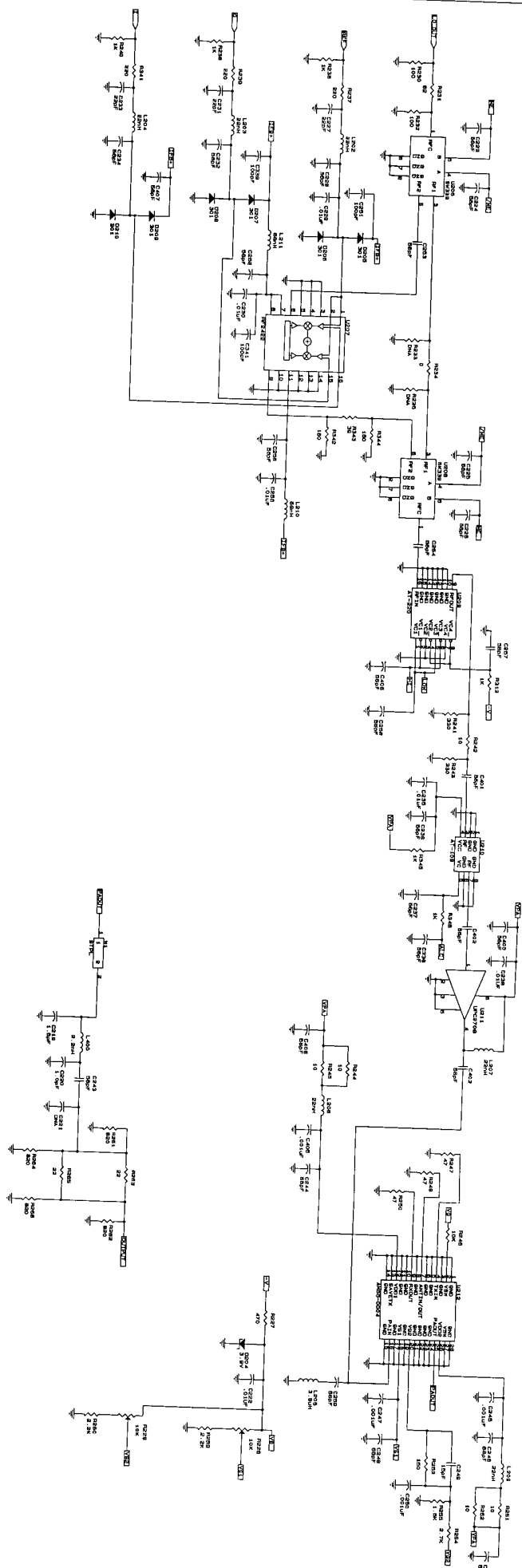
1	1.1	1.1	1.1
2	2.1	2.1	2.1
3	3.1	3.1	3.1
4	4.1	4.1	4.1
5	5.1	5.1	5.1
6	6.1	6.1	6.1
7	7.1	7.1	7.1
8	8.1	8.1	8.1
9	9.1	9.1	9.1
10	10.1	10.1	10.1

GRAYSON ELECTRONICS
 2808 STEPHEN LAR DRIVE
 FANNINGTON, GA 31028
 771-236-3111/3112



ORIGINAL
 GRAYSON ELECTRONICS COMPANY
 PROJECT NO. _____
 SIGN. _____ DATE _____

DATE	REV.	BY	DESCRIPTION
11/15/58	1	W. J. HARRIS	INITIAL DESIGN
11/15/58	2	W. J. HARRIS	REVISED TO MATCH PARTS
11/15/58	3	W. J. HARRIS	REVISED TO MATCH PARTS
11/15/58	4	W. J. HARRIS	REVISED TO MATCH PARTS
11/15/58	5	W. J. HARRIS	REVISED TO MATCH PARTS
11/15/58	6	W. J. HARRIS	REVISED TO MATCH PARTS
11/15/58	7	W. J. HARRIS	REVISED TO MATCH PARTS
11/15/58	8	W. J. HARRIS	REVISED TO MATCH PARTS
11/15/58	9	W. J. HARRIS	REVISED TO MATCH PARTS
11/15/58	10	W. J. HARRIS	REVISED TO MATCH PARTS



ORIGINAL
 GRAYSON ELECTRONICS COMPANY
 PAGE ____ OF ____
 SIGN _____ DATE _____

GRAYSON ELECTRONICS
 1000 WEST 10TH AVENUE
 DENVER, COLORADO 80202
 PHONE 733-1111
 FAX 733-1111
 CIRCLE 11 ON READER SERVICE CARD