

Janus[®] HOTPass[®] Interior Transponder Mounting Instructions



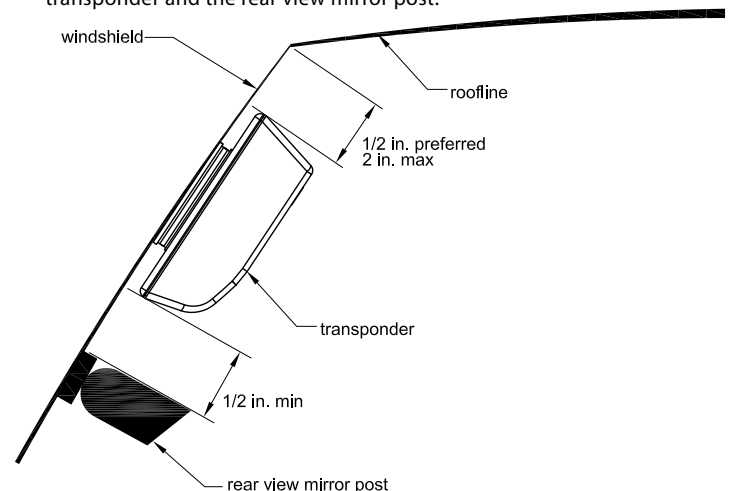
The HOTPass[®] interior transponder mounts on the vehicle windshield. The preferred mounting location is between the roofline and the rear view mirror post. If there is not enough room in the preferred mounting location to accommodate the HOTPass[®] transponder, the transponder can be mounted beside the rear view mirror post. The HOTPass[®] transponder is secured using 3M[™] Dual Lock[™] fasteners.

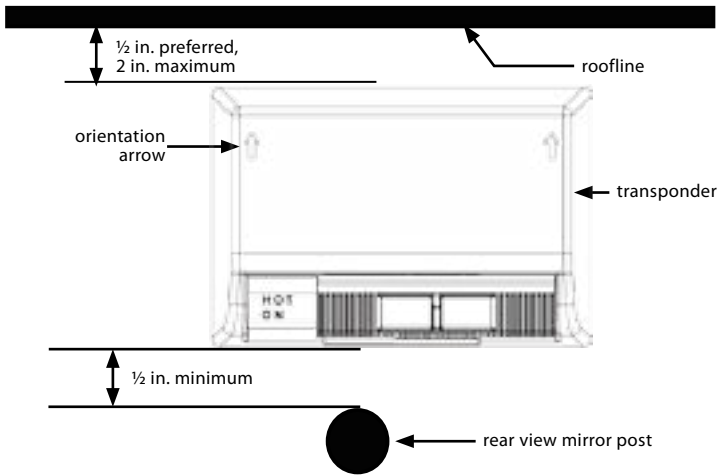
Requirements

- For reliable operation of the transponder, the vehicle must be equipped with only one transponder while passing through a toll facility. Other transponders present in or on the vehicle must be switched off or enclosed in an RF shield.
- The mounting location must provide direct line-of-sight communication between the transponder and the toll facility overhead antenna.
- Do not mount the HOTPass[®] transponder on vehicles:
 - ◆ with non-metallic roofs.
 - ◆ with windshields covered in RF-blocking material (ex. metal oxide).
 - ◆ with a metallic center windshield dividing post.
 - ◆ without center-mounted rear view mirrors.
- Handheld mobile communication devices must not be located within 12 in. of the transponder.
- Metal objects (except for the rear view mirror and the roof) must not be located within 6 in. of the transponder.
- HOTPass[®] transponders cannot be used where local regulations prohibit mounting transponders on the windshield.
- Apply Dual Lock[™] fasteners in accordance with 3M[™] document 70-0709-4029-4.

HOTPass[®] Interior Transponder Mounting Instructions

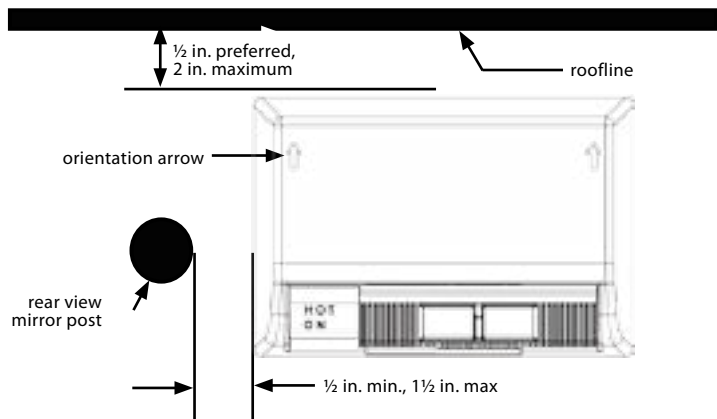
1. Select a mounting location on the front windshield. The HOTPass[®] transponder should be mounted $\frac{1}{2}$ in., but no more than 2 in. from the roofline. The preferred mounting location is between the roofline and the rear view mirror mounting post, with a minimum of $\frac{1}{2}$ in. between the transponder and the rear view mirror post.





Preferred Mounting Location - Front View

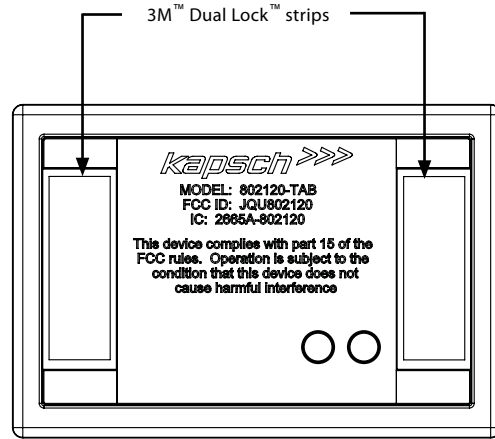
2. If there is insufficient space in the preferred location, select an alternate mounting location beside the rear view mirror post:



Alternate Mounting Location - Front View

3. Two 3M™ Dual Lock™ on the back of the HOTPass® transponder are used to mount the transponder to the windshield. Prepare the mounting location in accordance with 3M™ document 70-0709-4029-4.

4. Remove the protective backing from the two Dual Lock fasteners.



HOTPass® Transponder - Rear View

5. Firmly press the HOTPass® transponder against the windshield in the mounting location, ensuring the orientation arrows are pointing skyward. Maintain pressure for 15 seconds to ensure a good bond.
6. Remove the transponder by lifting any corner with sufficient force to separate the Dual Lock™ strips. Do not reuse the Dual Lock™ strips after removing them from the windshield. Obtain new strips as required.

Kapsch Group

The Kapsch Group and its entities Kapsch TrafficCom, Kapsch CarrierCom and Kapsch BusinessCom are specialised in the future-oriented market segments of Intelligent Transportation Systems (ITS) and Information and Communication Technology (ICT). Kapsch. Always one step ahead.

Kapsch TrafficCom IVHS | 6020 Ambler Drive | Mississauga, Ontario L4W 2P1 | CANADA | Phone +1 905 624 3020 | Fax +1 905 625 6197
 54 S. Commerce Way, Suite 100 | Bethlehem, PA 18017 | Phone +1 610 419 1479 | Fax +1 610 419 1489
 E-Mail ktc.ca.info@kapsch.net | ktc.us.info@kapsch.net | www.kapsch.net